



US00D706164S

(12) **United States Design Patent**
Galvan

(10) **Patent No.:** **US D706,164 S**
(45) **Date of Patent:** **** Jun. 3, 2014**

(54) **SPIRAL GARDEN**

(76) **Inventor:** **Rocquel S. Galvan**, Fort Belvoir, VA
(US)

(**) **Term:** **14 Years**

(21) **Appl. No.:** **29/431,784**

(22) **Filed:** **Sep. 11, 2012**

(51) **LOC (10) Cl.** **11-02**

(52) **U.S. Cl.**
USPC **D11/152**

(58) **Field of Classification Search**
USPC D6/403-405, 556-558; D8/1;
D11/143-156, 164; D19/77, 80, 81,
D19/84; D25/100; D26/9-11, 16, 19;
D34/1, 2, 4-6; D99/5, 19; 47/17, 32.4,
47/32.5, 33, 39, 41.01, 41.1, 41.11-41.15,
47/44-47, 65, 65.5, 65.9, 66.1, 66.6, 66.7,
47/67-71

See application file for complete search history.

(56) **References Cited**

U.S. PATENT DOCUMENTS

D237,001 S * 9/1975 von Serda D11/147
D247,165 S * 2/1978 Hart D11/144

D294,548 S * 3/1988 Wallace D6/558
D371,695 S * 7/1996 Buck D6/405
5,640,802 A * 6/1997 Elliott 47/45
5,826,375 A * 10/1998 Black 47/67
6,393,761 B1 * 5/2002 Deacon 47/41.01
7,373,753 B1 * 5/2008 Caruso 47/39
D631,683 S * 2/2011 Ash et al. D6/558
D638,238 S * 5/2011 Del Sesto D6/558
D638,743 S * 5/2011 Bouchard et al. D11/143
D658,537 S * 5/2012 Simmons D11/143
D669,752 S * 10/2012 DeMitchell et al. D8/1

* cited by examiner

Primary Examiner — Elizabeth Albert

(57) **CLAIM**

I claim the ornamental design for a spiral garden, substantially as shown and described.

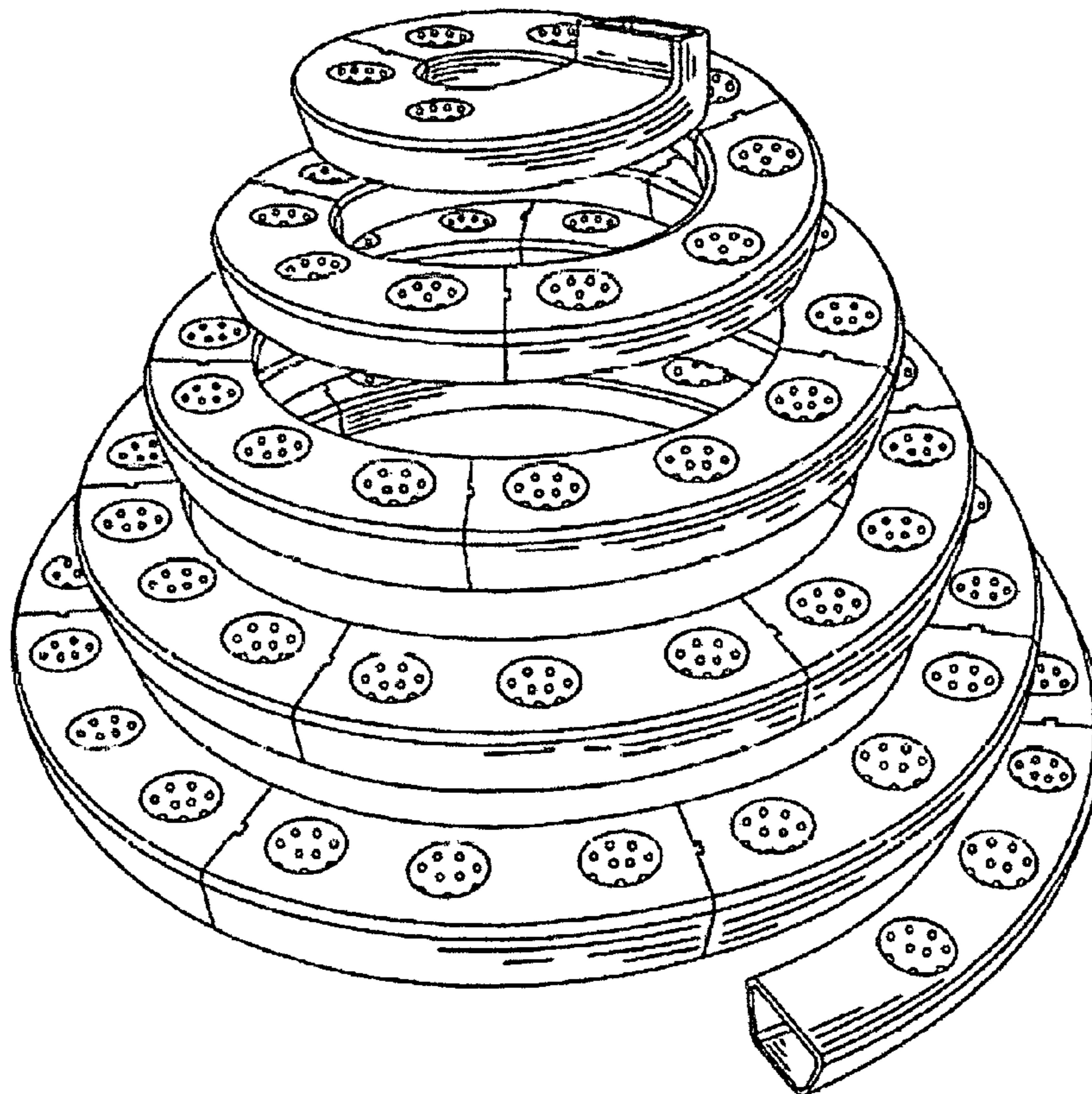
DESCRIPTION

FIG. 1 is a perspective view of a spiral garden according to my invention.

FIG. 2 is a top plan view of the spiral garden according to my invention; and,

FIG. 3 is a side elevation view of the spiral garden according to my invention.

1 Claim, 3 Drawing Sheets



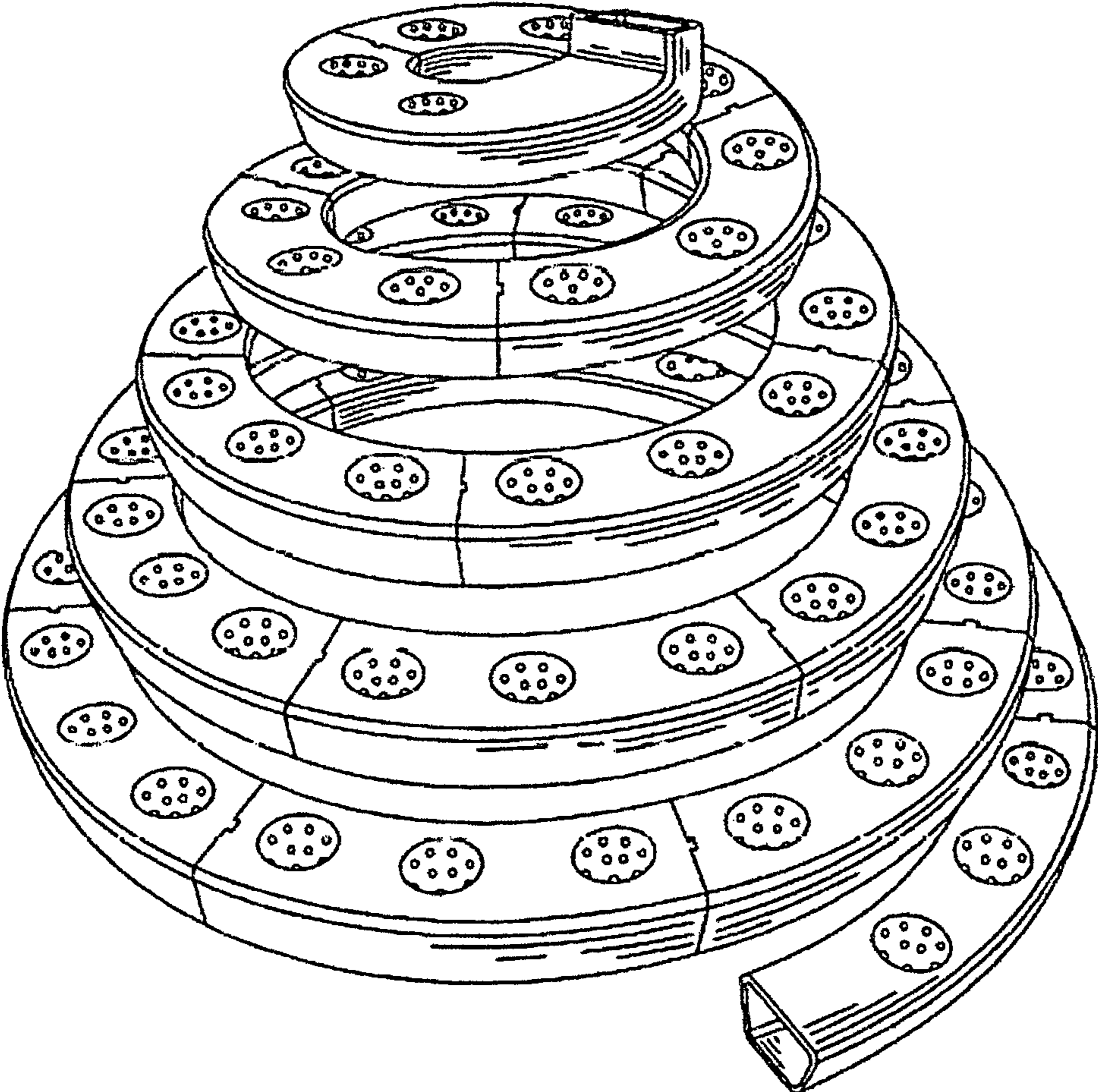


FIG. 1

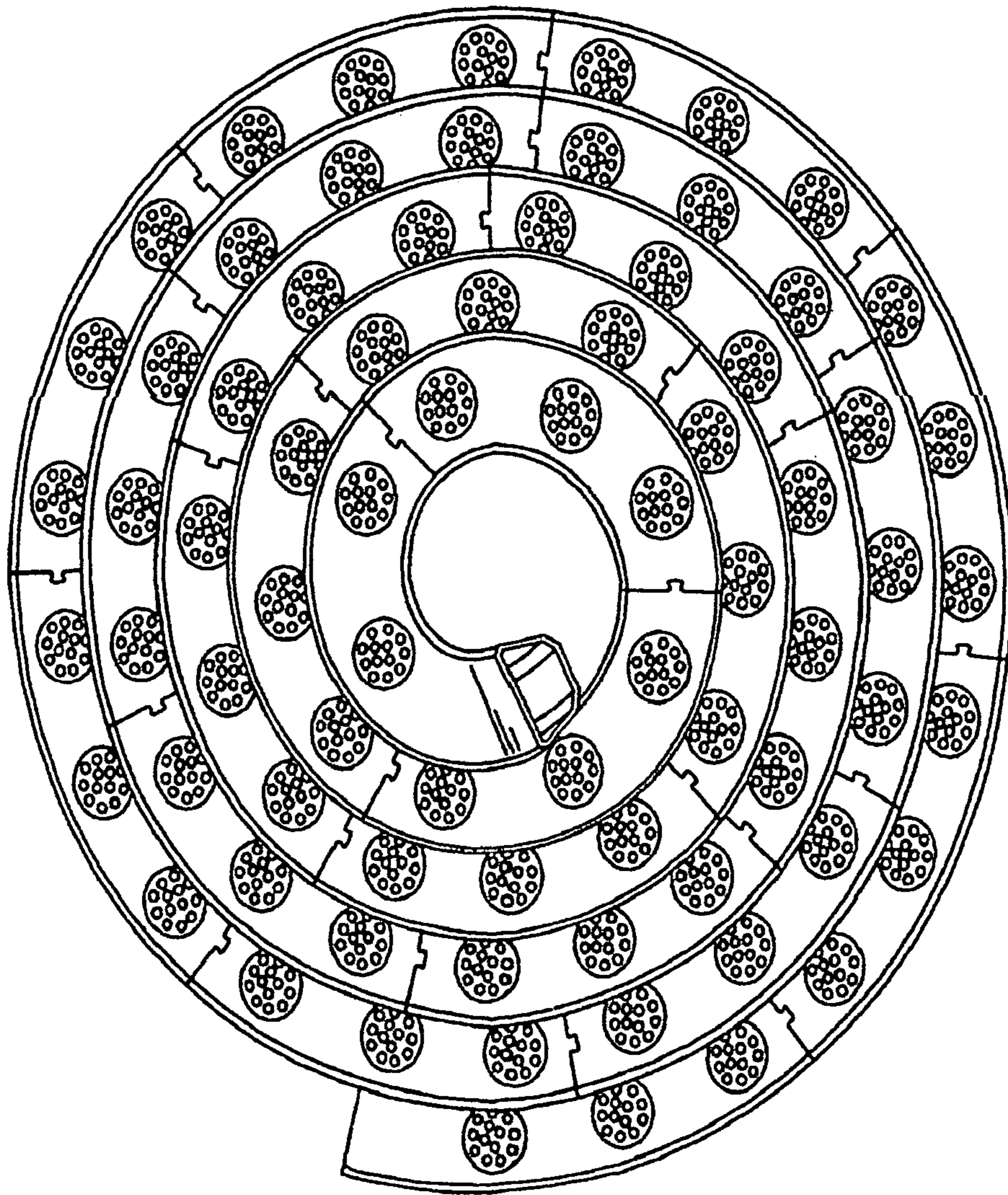


FIG. 2

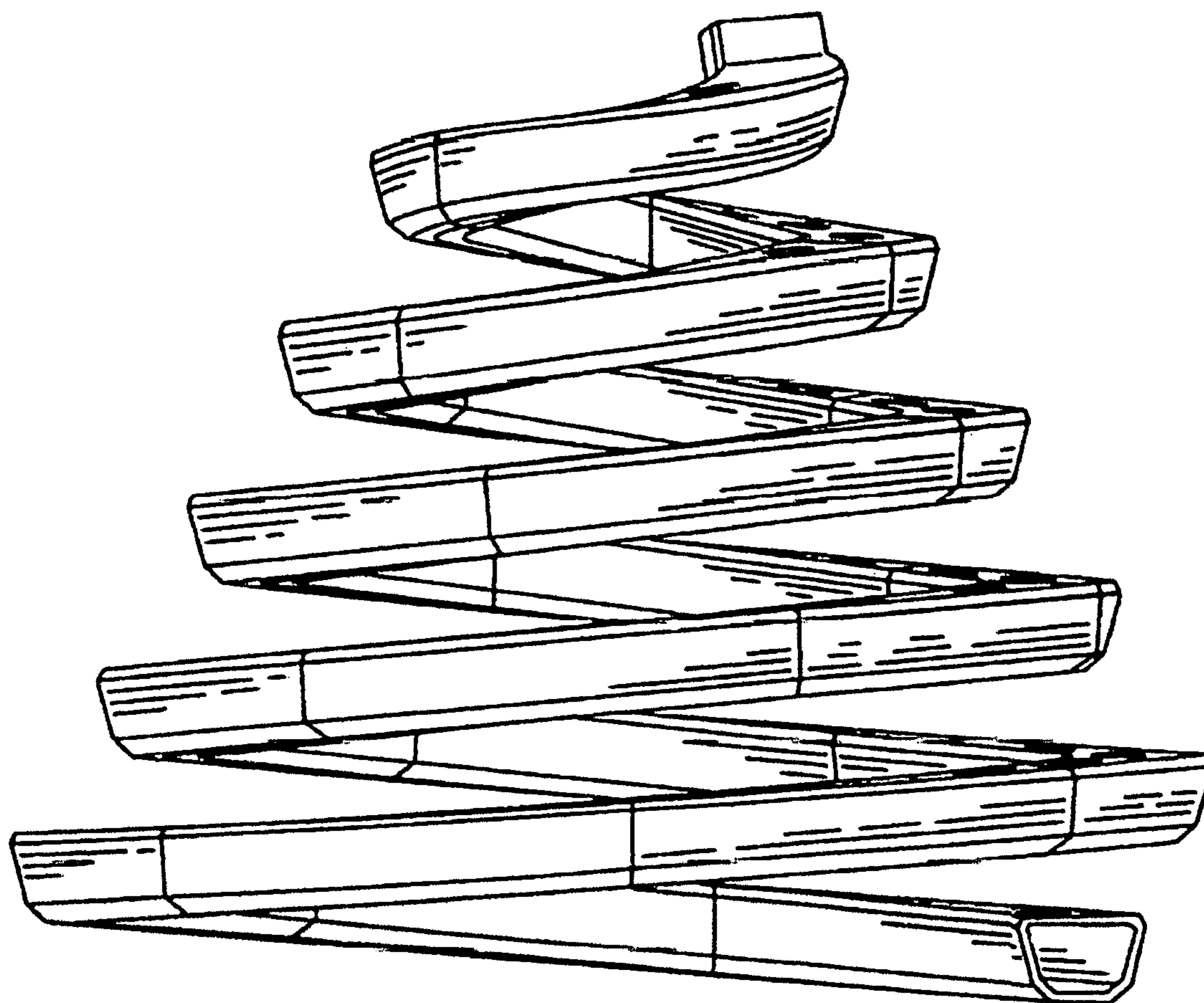


FIG. 3