



US00D706163S

(12) **United States Design Patent**
Roth

(10) **Patent No.:** **US D706,163 S**
(45) **Date of Patent:** **** Jun. 3, 2014**

- (54) **SELF-WATERING PLANTER**
- (76) Inventor: **Joseph Roth**, Pasadena, CA (US)
- (**) Term: **14 Years**
- (21) Appl. No.: **29/428,781**
- (22) Filed: **Aug. 3, 2012**
- (51) **LOC (10) Cl.** **11-02**
- (52) **U.S. Cl.**
USPC **D11/152**
- (58) **Field of Classification Search**
USPC D6/403-405, 556-558; D8/1;
D11/143-156, 164; D19/77, 80, 81,
D19/84; D25/100; D26/9-11, 16, 19;
D34/1, 2, 4-6; D99/5, 19; 47/17, 32.4,
47/32.5, 33, 39, 41.01, 41.1, 41.11-41.15,
47/44-47, 65, 65.5, 65.9, 66.1, 66.6, 66.7,
47/67-71
See application file for complete search history.

6,357,179 B1 3/2002 Buss 47/65.5
6,370,819 B1 4/2002 Reiss et al. 47/81
D468,662 S 1/2003 Fan D11/152

(Continued)

Primary Examiner — Elizabeth Albert
(74) *Attorney, Agent, or Firm* — Advent, LLP

(57) **CLAIM**
The ornamental design for a self-watering planter, as shown and described.

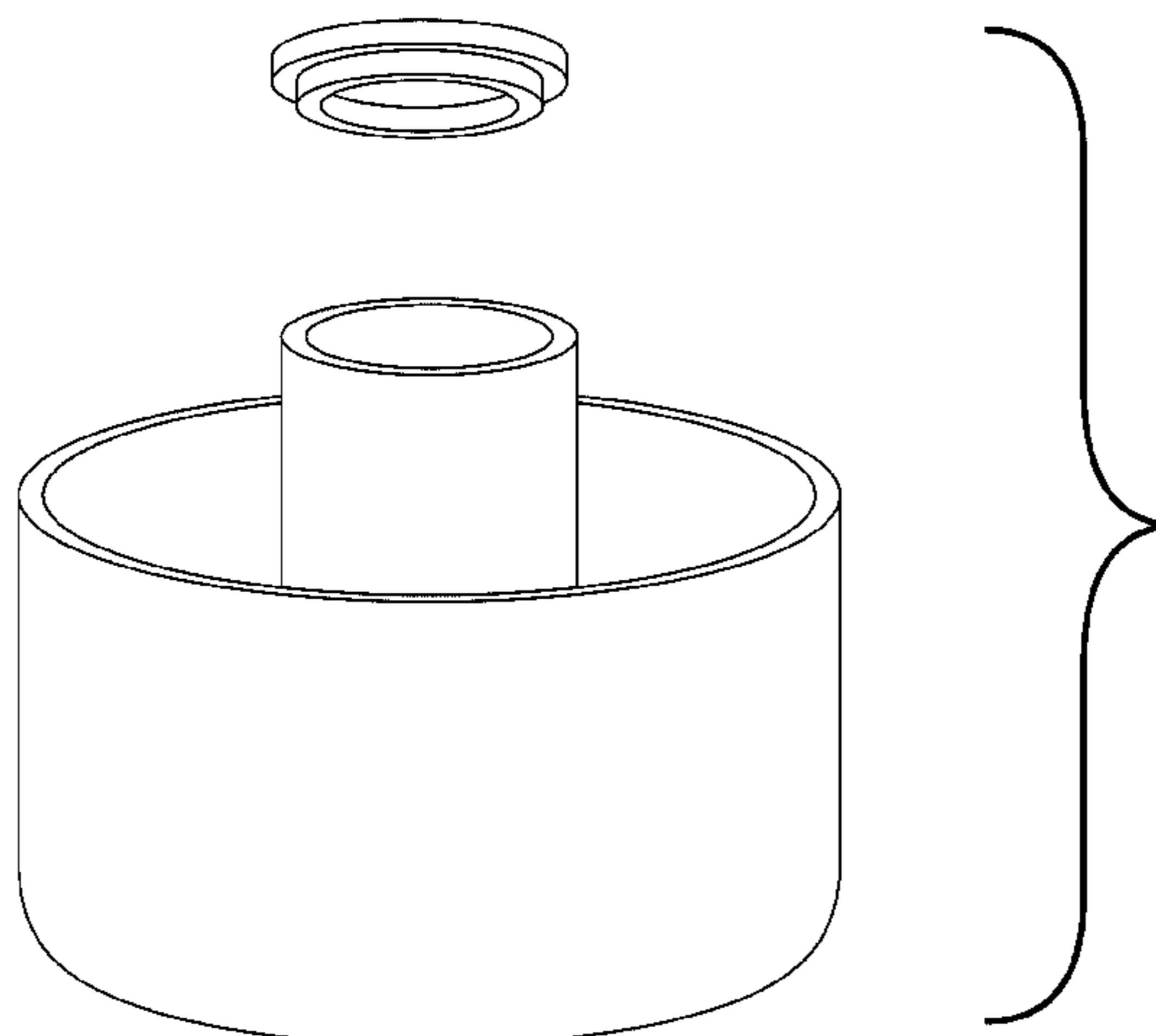
DESCRIPTION

FIG. 1 is an exploded, perspective view of a self-watering planter showing my new design;
FIG. 2 is a side elevational view of the self-watering planter, the opposite side being a mirror image thereof;
FIG. 3 is a cross-sectional view of the self-watering planter, taken along the line 3-3 of FIG. 2;
FIG. 4 is a top plan view of the lower portion of the self-watering planter, the upper portion being omitted for ease of disclosure;
FIG. 5 is a bottom plan view of the self-watering planter;
FIG. 6 is a side elevational view of the lower portion of the self-watering planter, the opposite side being a mirror image thereof and the upper portion being omitted for ease of disclosure;
FIG. 7 is a side elevational view of the upper portion of the self-watering planter, shown at an enlarged scale and with the lower portion omitted for ease of disclosure;
FIG. 8 is a top plan view of the upper portion of the self-watering planter, shown at an enlarged scale and with the lower portion being omitted for ease of disclosure;
FIG. 9 is a bottom plan view of the upper portion of the self-watering planter, shown at an enlarged scale and with the lower portion being omitted for ease of disclosure; and,
FIG. 10 is a top plan view of the self-watering planter.

(56) **References Cited**
U.S. PATENT DOCUMENTS

2,865,137	A	12/1958	Longacre	47/38
4,001,967	A	1/1977	Swift et al.	47/80
D250,685	S *	1/1979	Insalaco	D6/405
D251,763	S *	5/1979	Sovey	D11/152
4,324,070	A	4/1982	Swisher	47/81
4,329,815	A	5/1982	Secrest	47/80
D278,521	S *	4/1985	Baird et al.	D11/153
D300,911	S *	5/1989	Allen	D11/144
4,829,709	A	5/1989	Centafanti	47/79
4,903,432	A	2/1990	Velagaleti	47/81
D322,753	S *	12/1991	Sussman	D11/152
5,099,609	A	3/1992	Yamauchi	47/81
D383,417	S *	9/1997	Davis	D11/152
D405,027	S *	2/1999	McElwain et al.	D11/152
5,921,025	A	7/1999	Smith	47/79
6,079,156	A	6/2000	Colovic	47/81
6,134,833	A	10/2000	Bachman	47/80
D453,488	S *	2/2002	McCauley	D11/152

1 Claim, 6 Drawing Sheets



(56)

References Cited

U.S. PATENT DOCUMENTS

6,622,430 B1	9/2003	Lai	47/79	D598,224 S *	8/2009	Zanini	D6/510
6,691,460 B1	2/2004	Lee	47/79	7,730,666 B2	6/2010	Spray	47/79
D488,741 S *	4/2004	Moya	D11/143	7,832,146 B2	11/2010	Gordon	47/79
6,715,233 B2	4/2004	Lyon	47/79	D635,486 S	4/2011	Bodum	D11/142
				8,091,279 B2	1/2012	Stewart	47/81
				2006/0230678 A1	10/2006	Ellis-El	47/79
				2011/0036006 A1	2/2011	Griebel	47/81

* cited by examiner

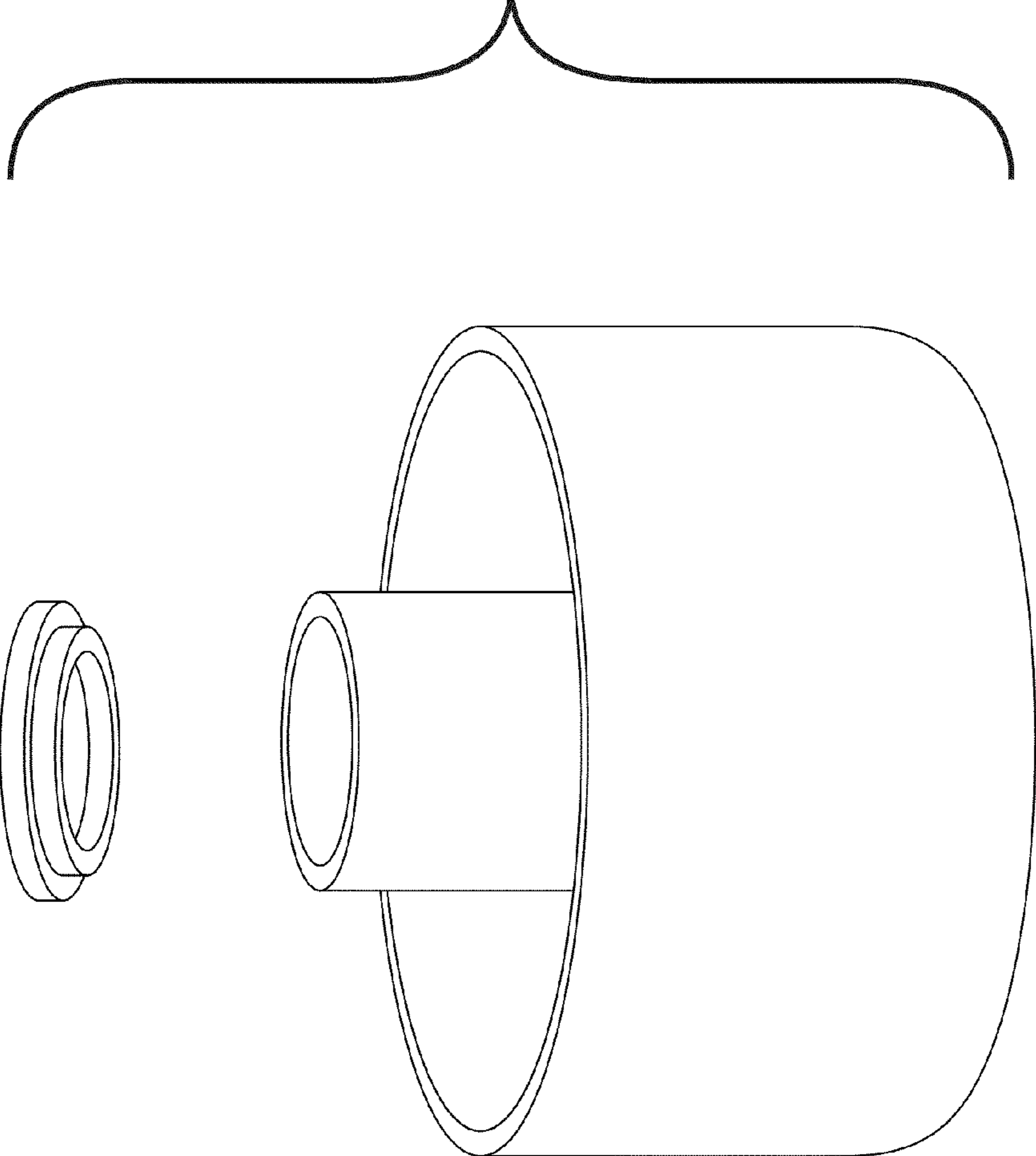


Fig. 1

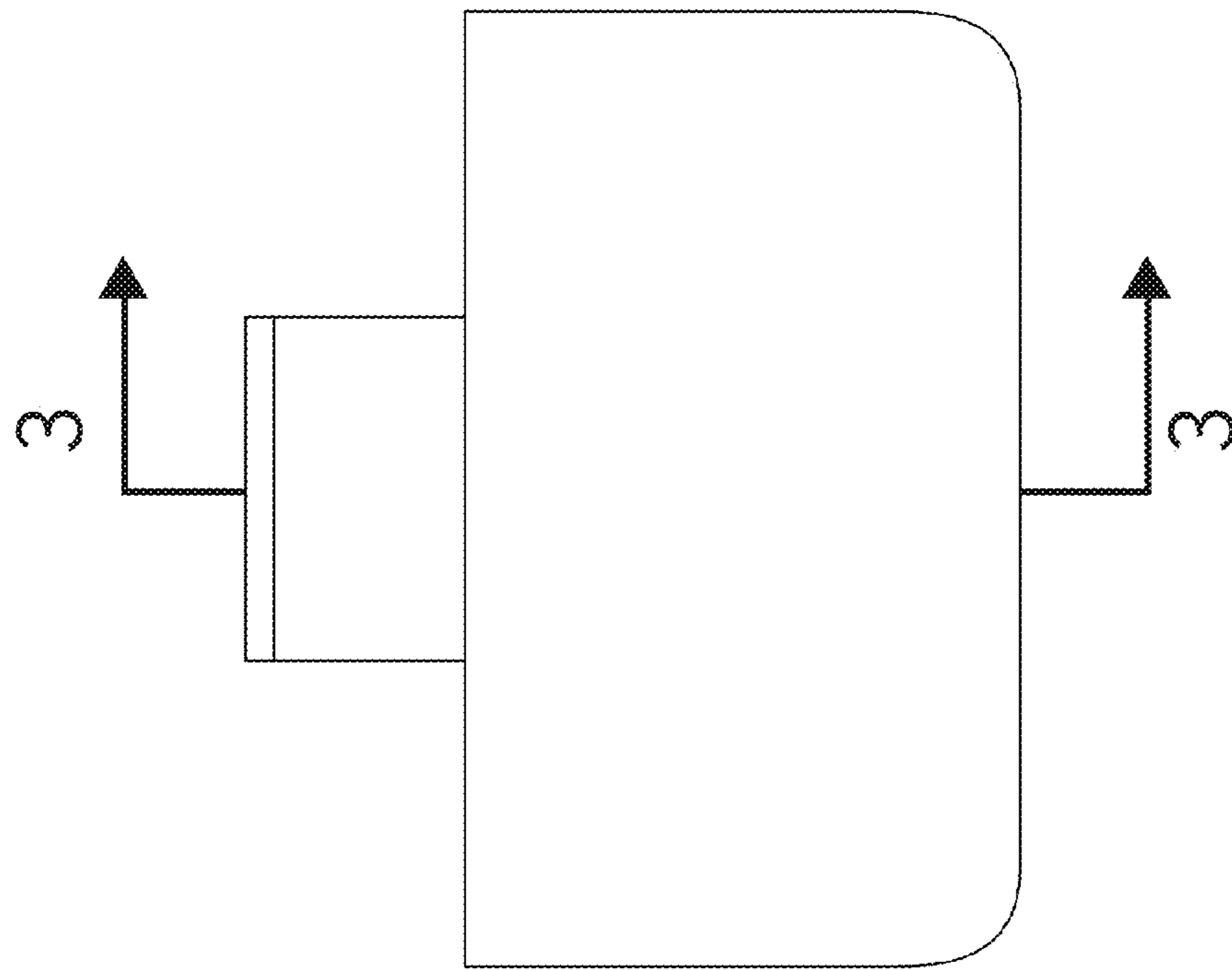


Fig. 2

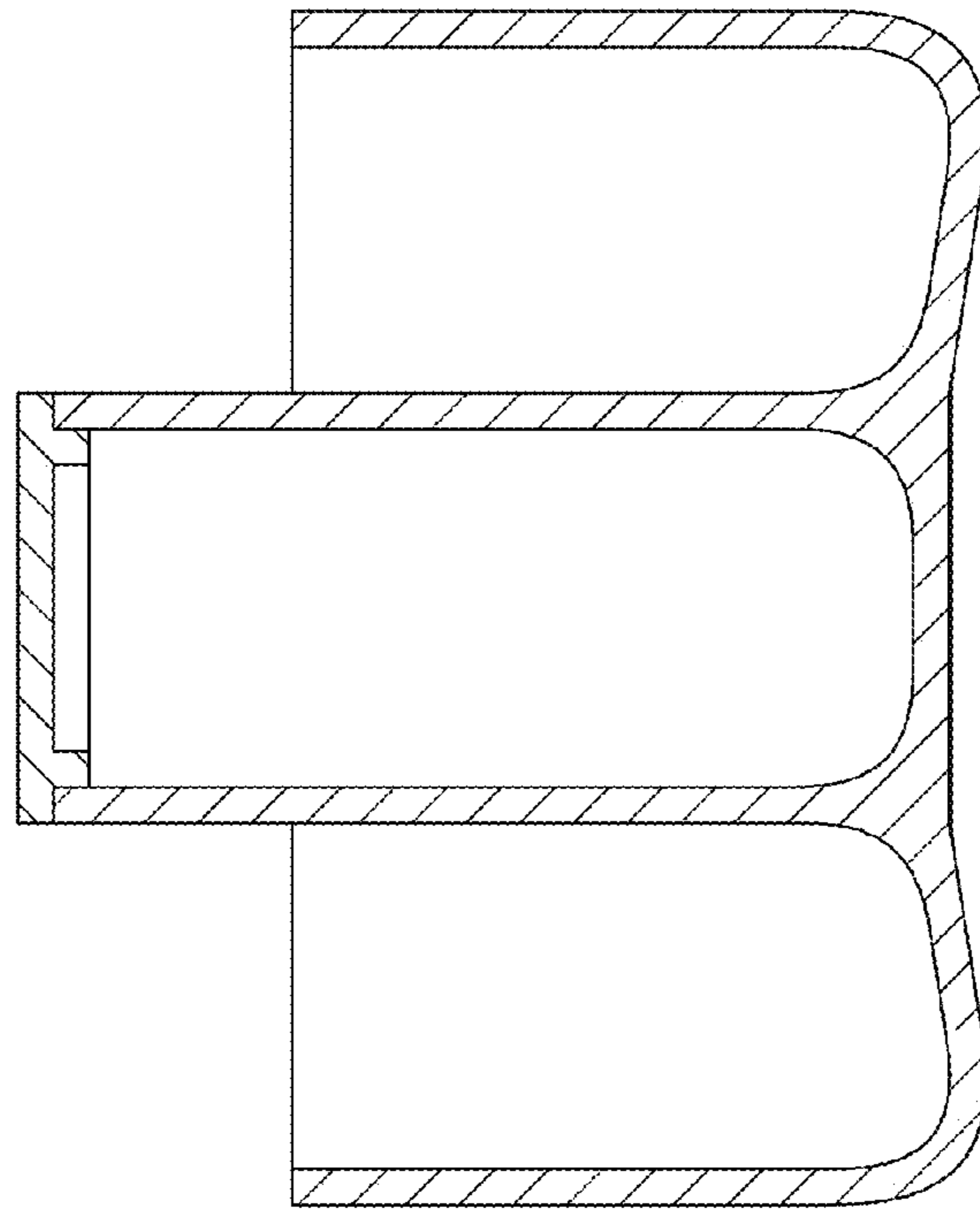


Fig. 3

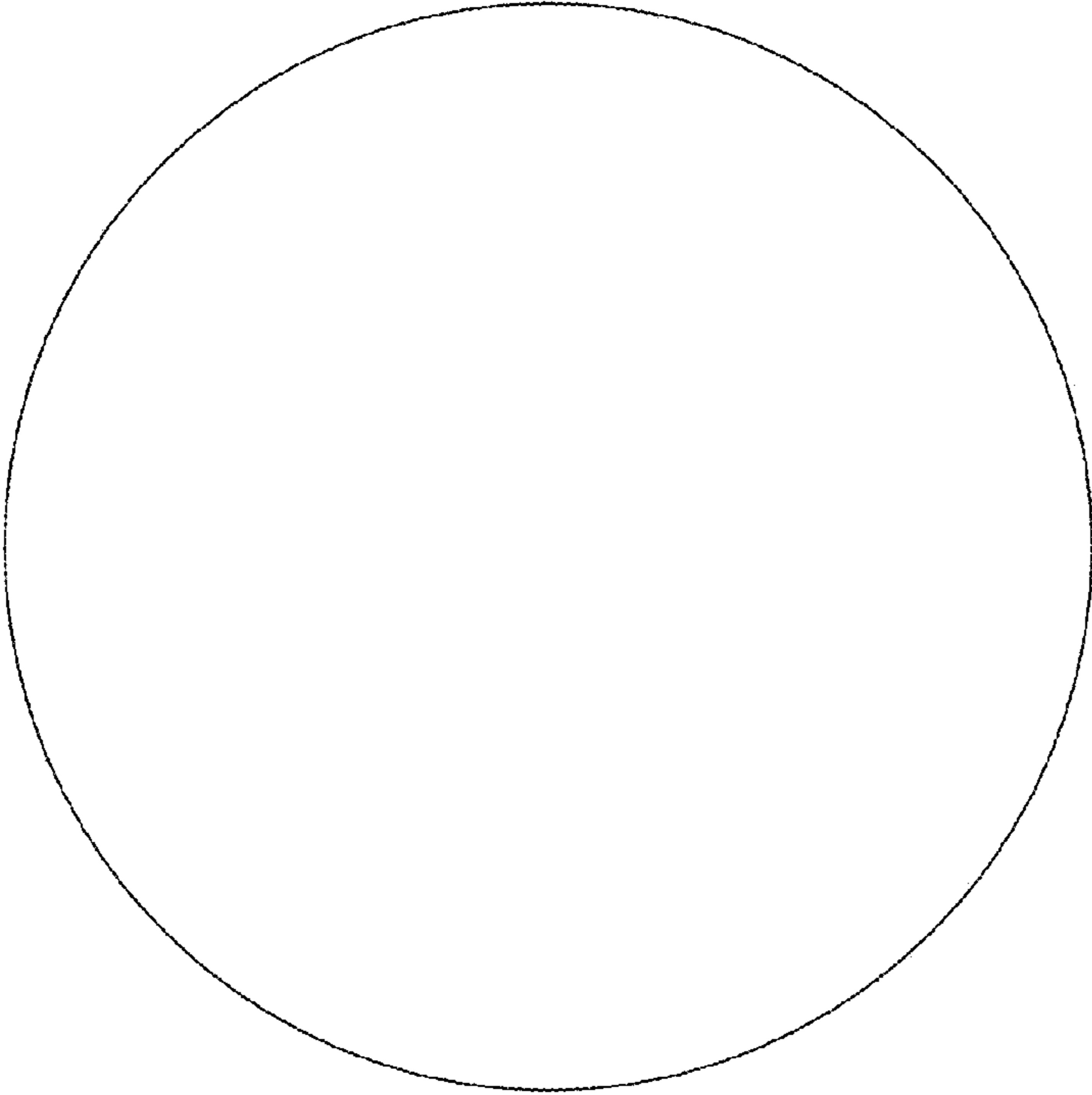


Fig. 5

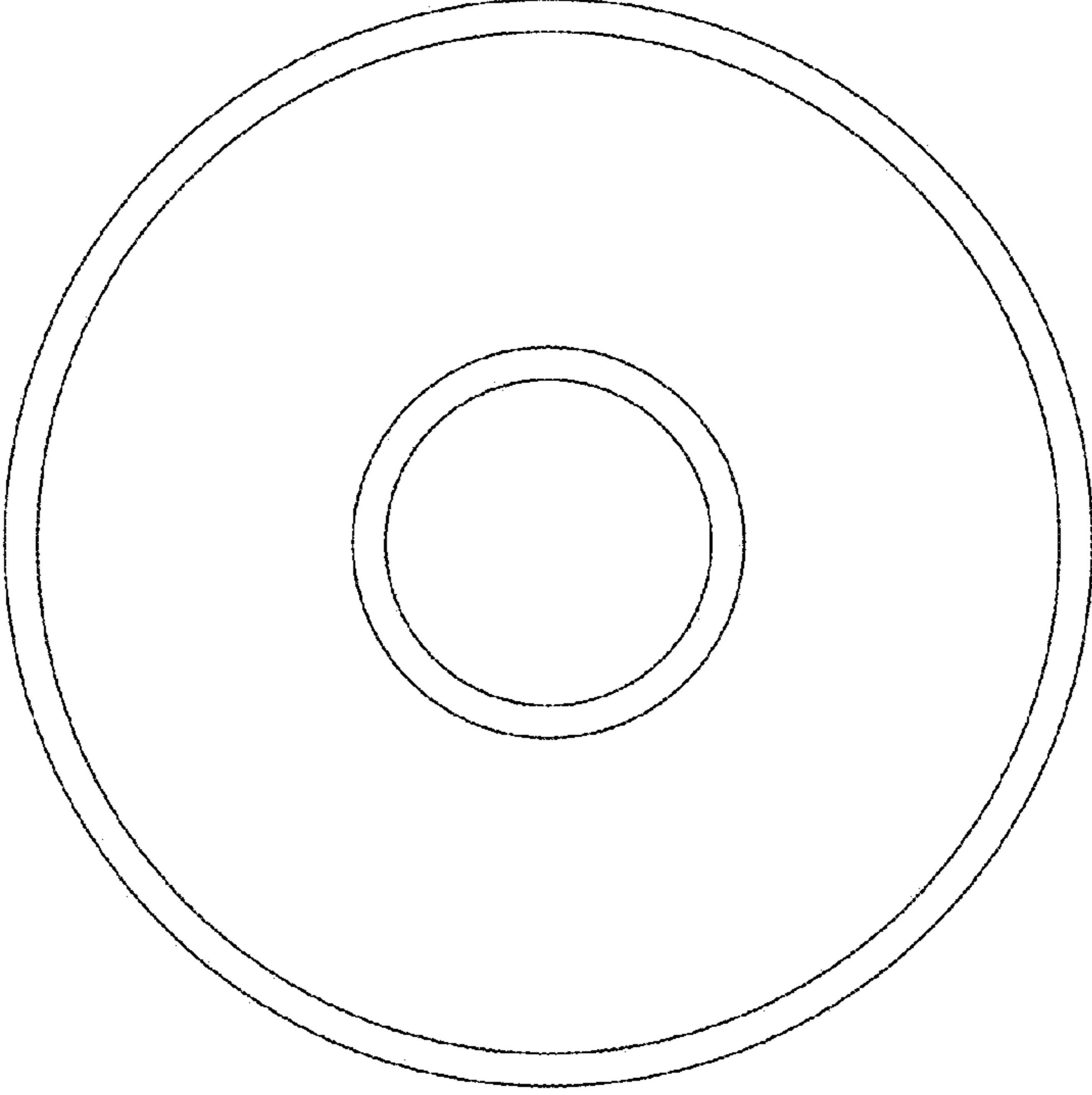


Fig. 4

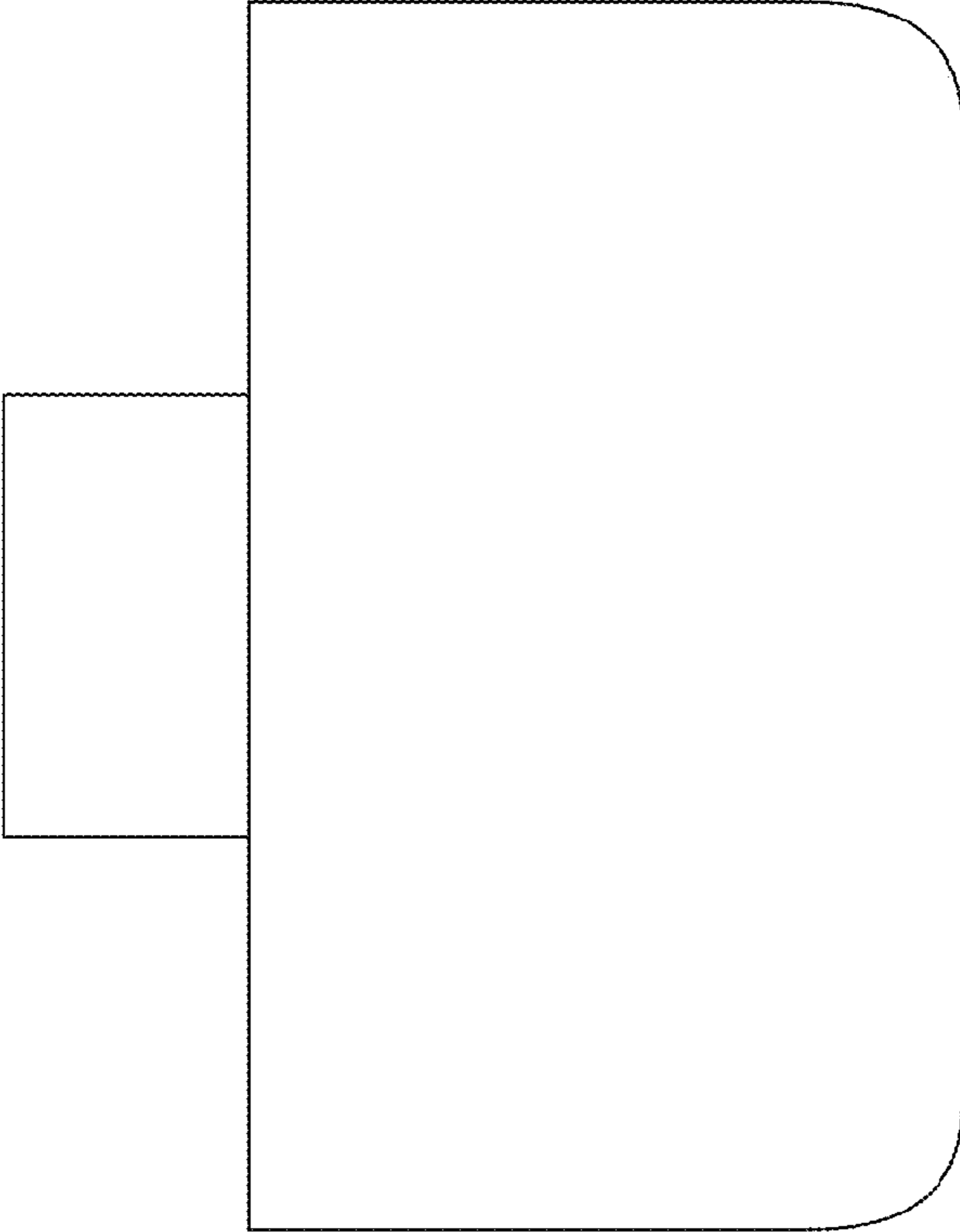


Fig. 6

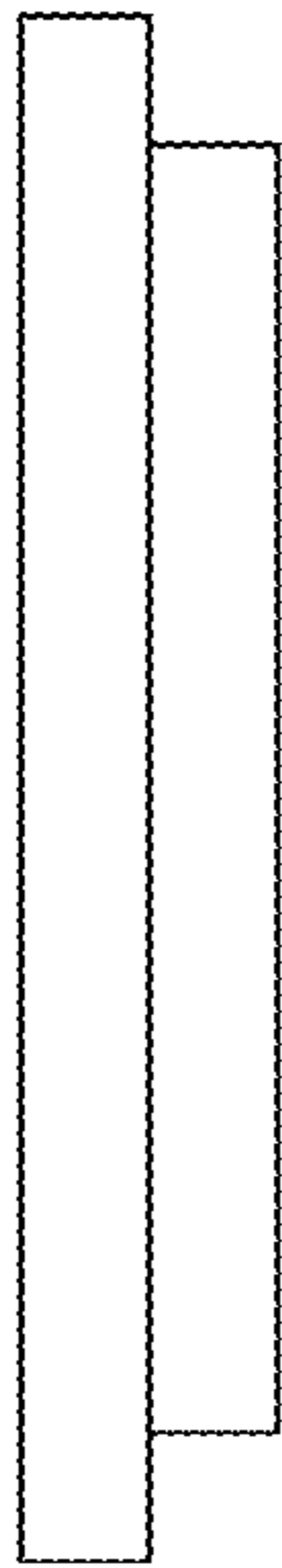


Fig. 7

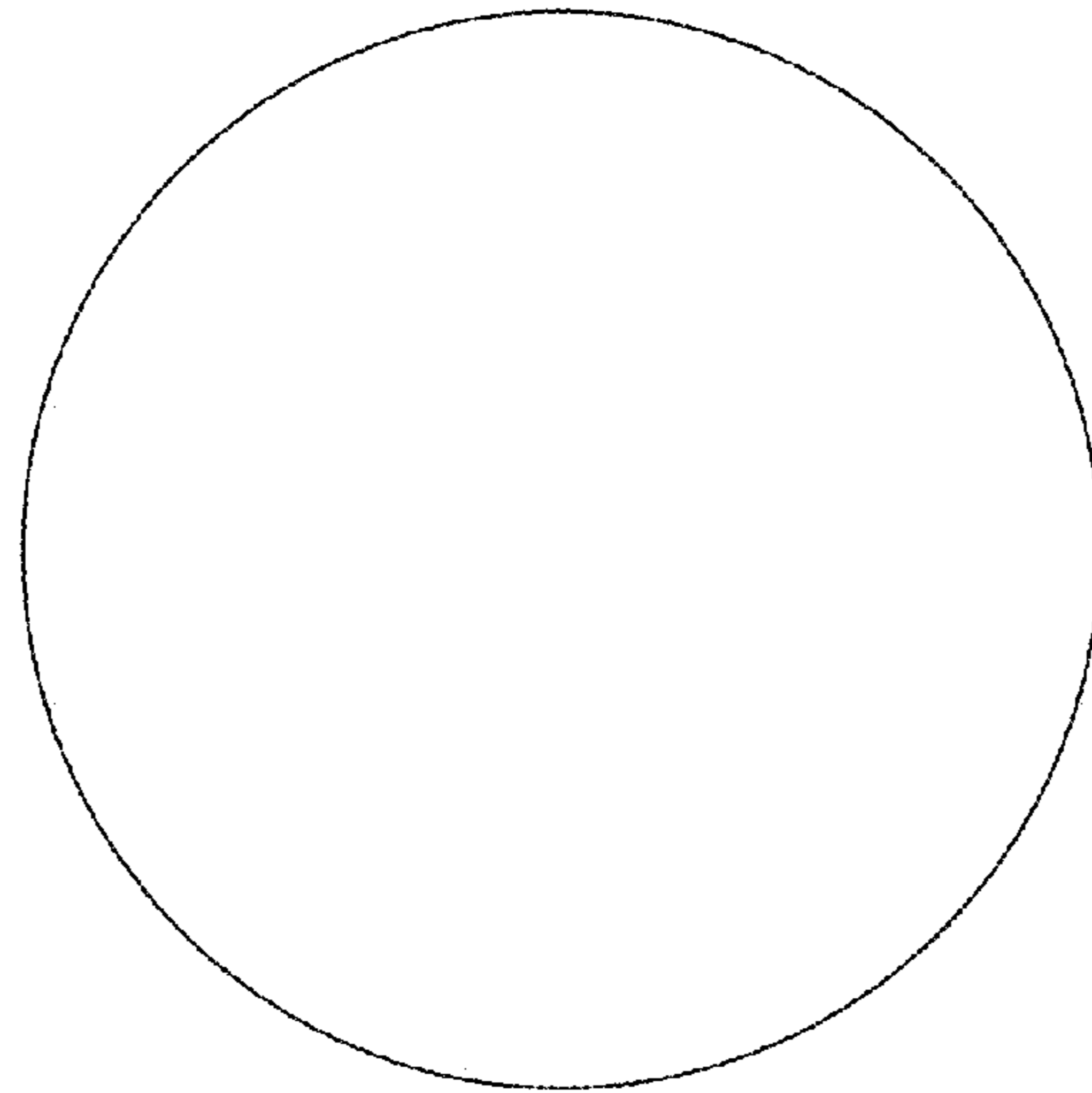


Fig. 8

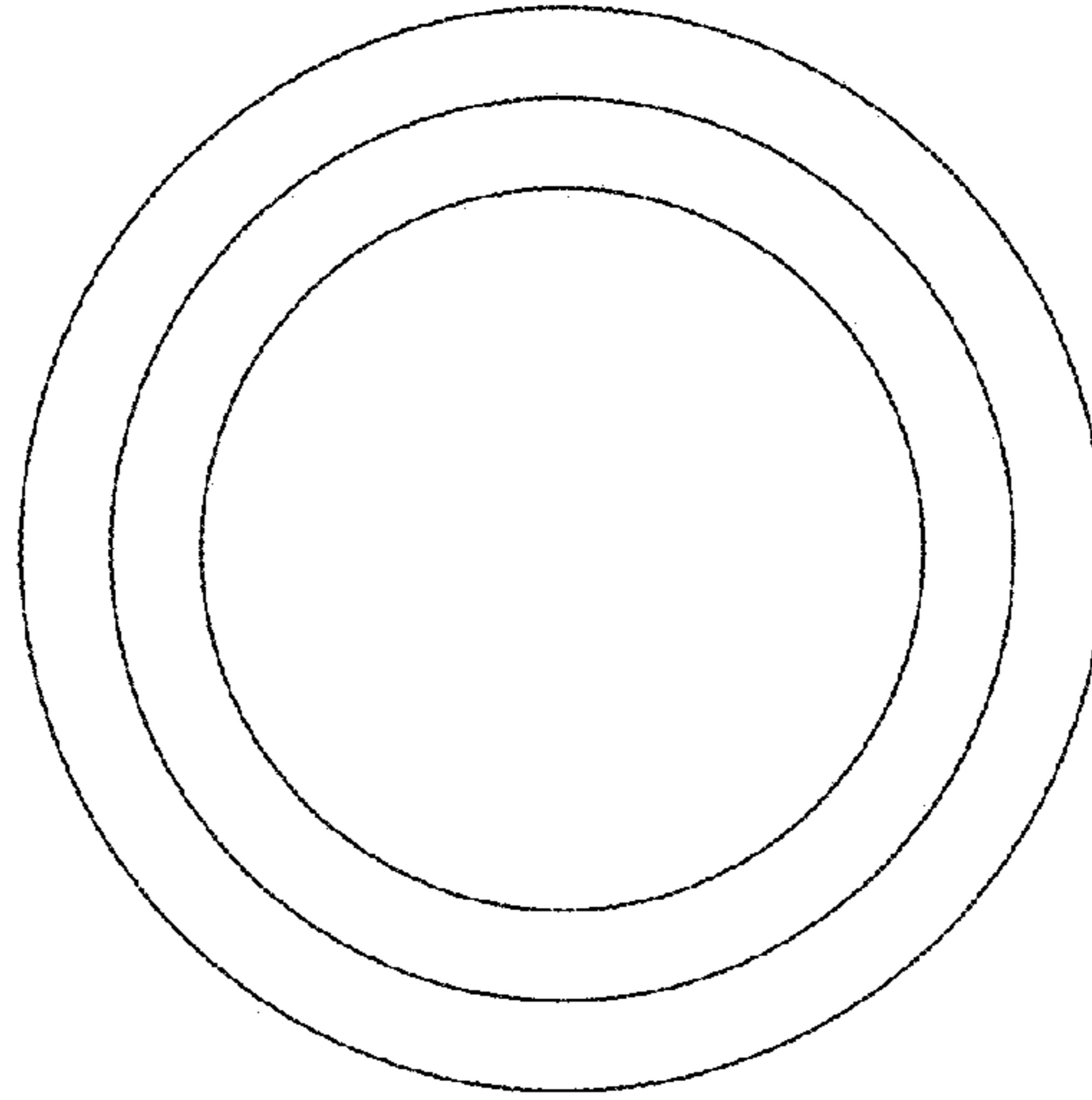


Fig. 9

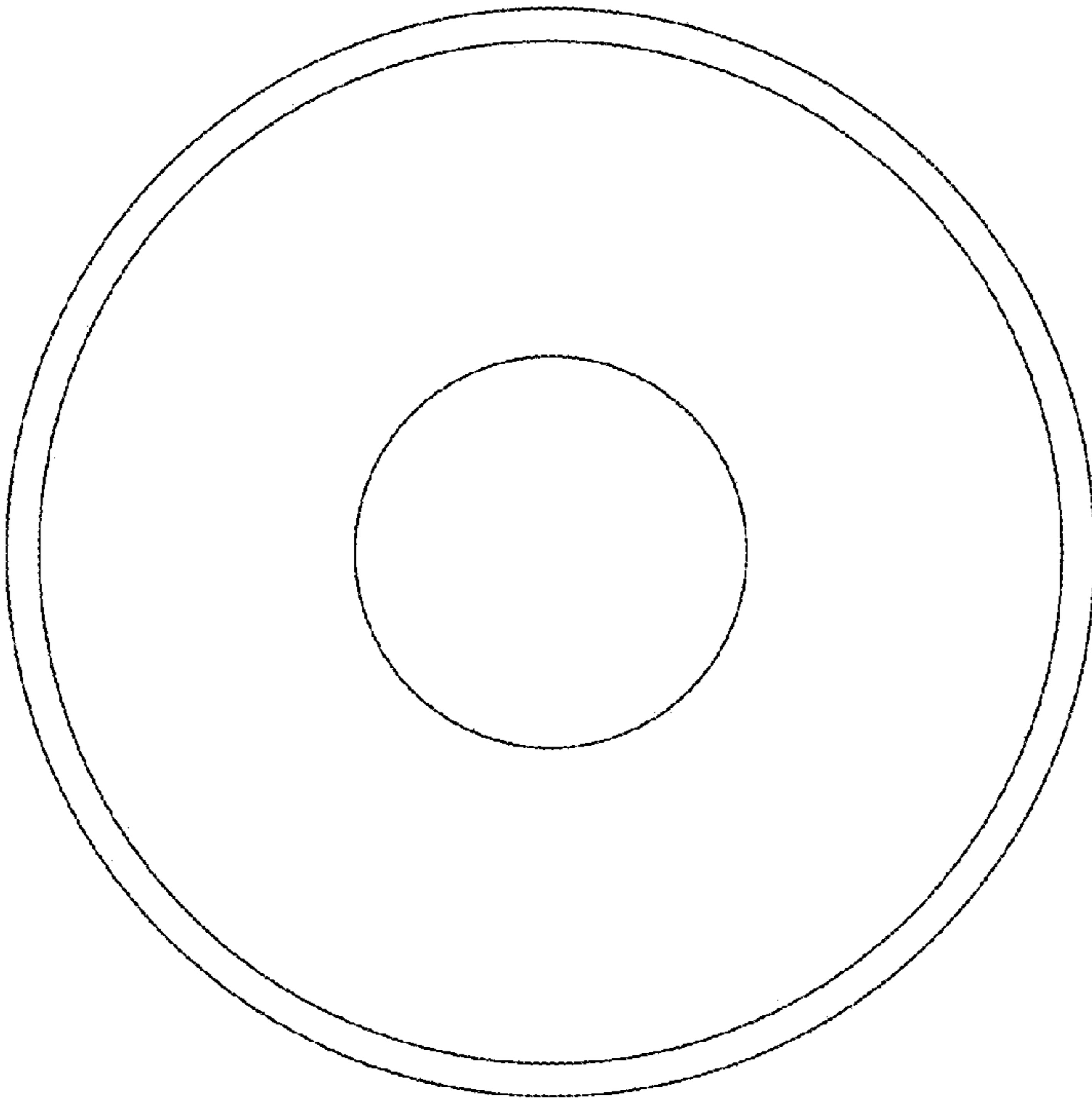


Fig. 10