



US00D706158S

(12) **United States Design Patent**  
**Rabassa**

(10) **Patent No.:** **US D706,158 S**  
(45) **Date of Patent:** **\*\* Jun. 3, 2014**

(54) **WATCH BRACELET**

(75) **Inventor:** **Serge Rabassa, Vessy (CH)**

(73) **Assignee:** **Cartier Creation Studio SA, Geneva (CH)**

(\*\*) **Term:** **14 Years**

(21) **Appl. No.:** **29/408,264**

(22) **Filed:** **Dec. 9, 2011**

(30) **Foreign Application Priority Data**

Jun. 10, 2011 (WO) ..... DM/076 475

(51) **LOC (10) Cl.** ..... **11-01**

(52) **U.S. Cl.**  
USPC ..... **D11/3**

(58) **Field of Classification Search**  
USPC ..... D11/1-39, 86; D10/31-32;  
224/164-166, 175, 178, 179; 59/3, 78,  
59/79.2, 80, 82, 83; 63/3, 3.1, 3.2, 10, 11,  
63/15, 15.7, 18, 21, 23  
See application file for complete search history.

(56) **References Cited**

**U.S. PATENT DOCUMENTS**

D342,037 S \* 12/1993 Giardiello ..... D11/3  
D388,332 S \* 12/1997 Perrin et al. .... D10/32  
D472,479 S \* 4/2003 Chien ..... D10/32  
D474,125 S \* 5/2003 Haquet ..... D11/12  
D524,185 S \* 7/2006 Arlanda ..... D11/38  
7,146,793 B1 \* 12/2006 Hyun ..... 59/80  
D534,829 S \* 1/2007 Arlanda ..... D11/38

D539,170 S \* 3/2007 Bodino ..... D10/32  
D548,637 S \* 8/2007 Scarinzi ..... D11/3  
D548,638 S \* 8/2007 Chodat ..... D11/3  
D567,115 S \* 4/2008 Bulgari ..... D10/32  
D629,706 S \* 12/2010 Furetta ..... D10/32  
D633,812 S \* 3/2011 Yurman ..... D10/32  
D650,704 S \* 12/2011 Actis-Datta ..... D10/32  
D664,864 S \* 8/2012 Kawashima ..... D10/32  
D693,263 S \* 11/2013 Rabassa ..... D11/94  
D693,264 S \* 11/2013 Rabassa ..... D11/94

\* cited by examiner

*Primary Examiner* — Garth Rademaker

*Assistant Examiner* — Melanie Pellegrini

(74) *Attorney, Agent, or Firm* — Krieg DeVault LLP;  
Clifford W. Browning

(57) **CLAIM**

The ornamental design for a watch bracelet, as shown and described.

**DESCRIPTION**

FIG. 1 is a top plan view of a watch bracelet of the present invention.

FIG. 2 is a bottom plan view of the watch bracelet of FIG. 1. FIG. 3 is a left side elevational view of the watch bracelet of FIG. 1.

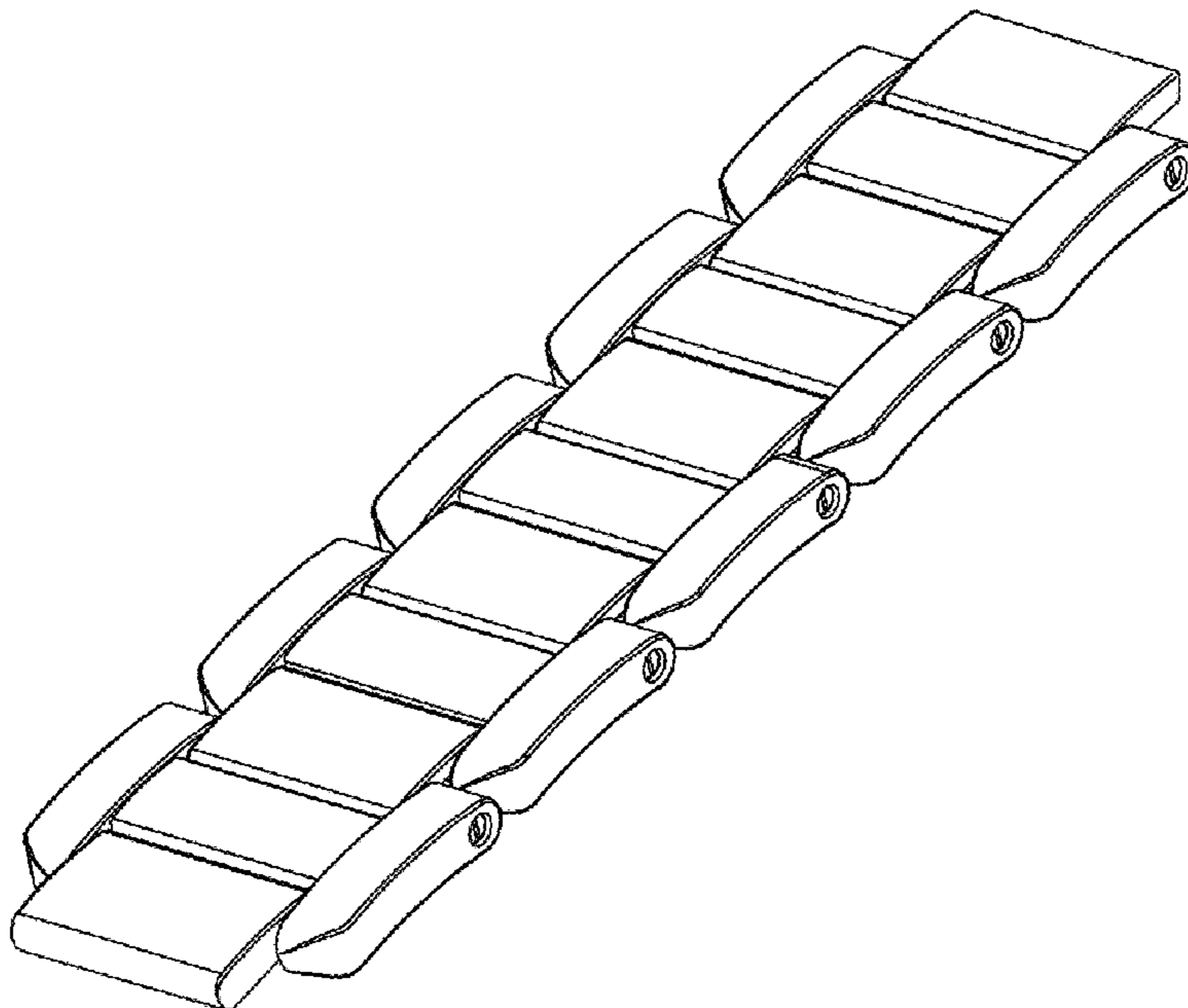
FIG. 4 is a right side elevational view of the watch bracelet of FIG. 1.

FIG. 5 is a front elevational view of the watch bracelet of FIG. 1.

FIG. 6 is a rear elevational view of the watch bracelet of FIG. 1; and,

FIG. 7 is a top and front perspective view of the watch bracelet of FIG. 1.

**1 Claim, 1 Drawing Sheet**



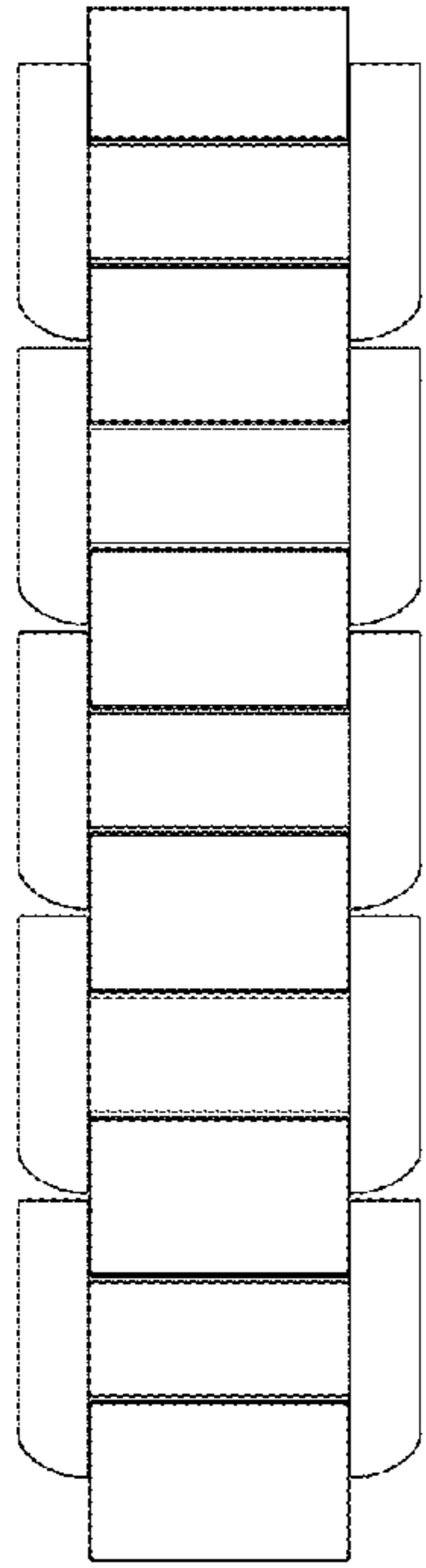


FIG. 1

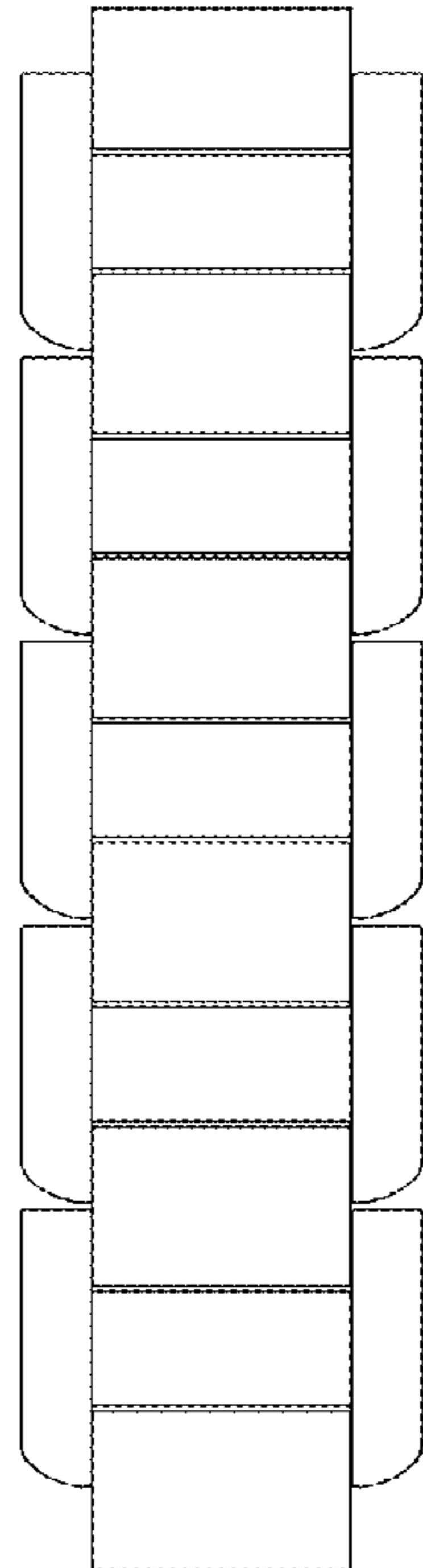


FIG. 2



FIG. 3



FIG. 4



FIG. 5



FIG. 6

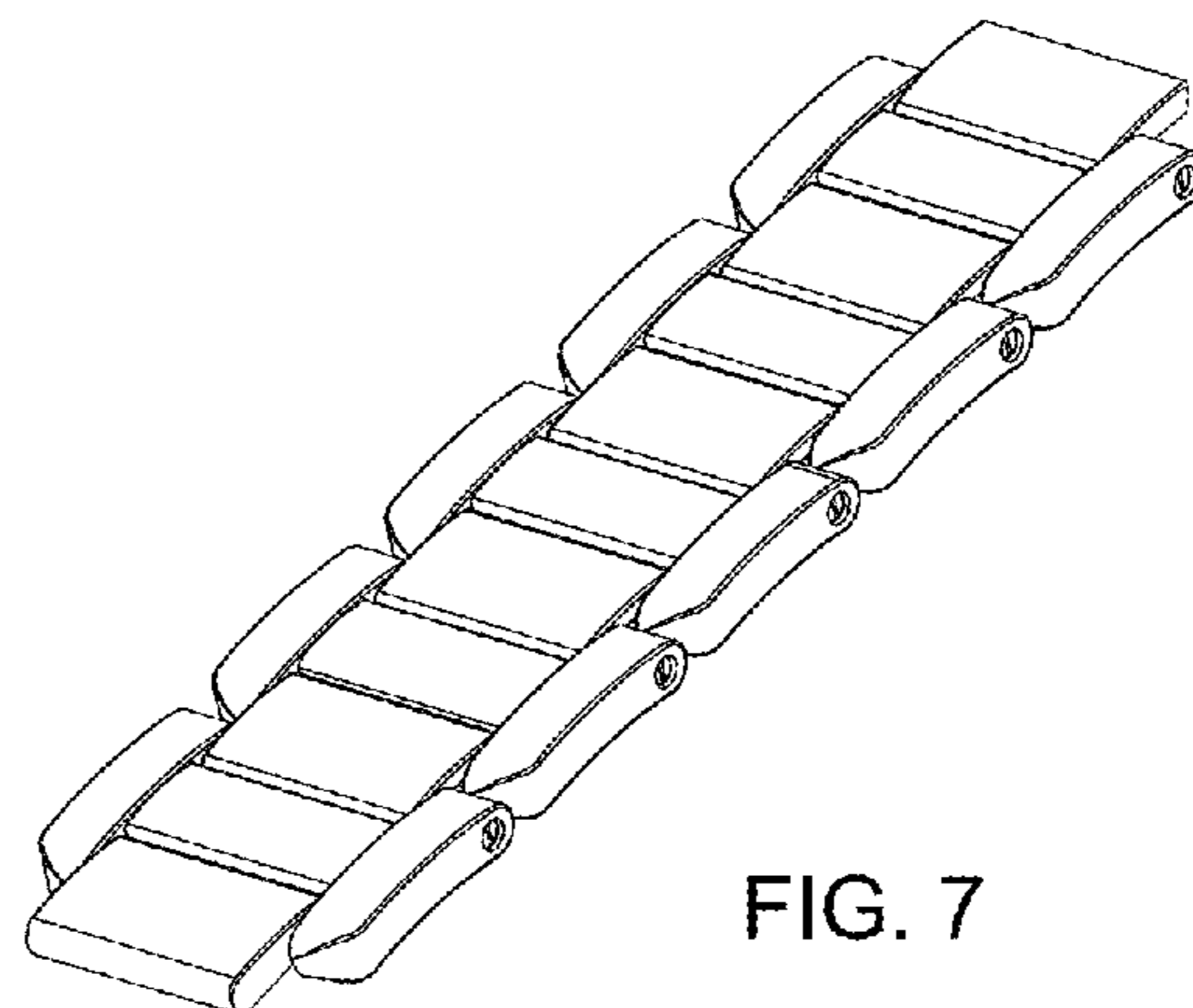


FIG. 7