



US00D706155S

(12) **United States Design Patent**  
**Branch**

(10) **Patent No.:** **US D706,155 S**  
(45) **Date of Patent:** **\*\* Jun. 3, 2014**

(54) **TILT DETECTOR AND INDICATOR**  
(71) Applicant: **ShockWatch, Inc.**, Dallas, TX (US)  
(72) Inventor: **Clinton A. Branch**, Jacksboro, TX (US)  
(73) Assignee: **ShockWatch, Inc.**, Dallas, TX (US)

(\*\*) Term: **14 Years**

(21) Appl. No.: **29/433,829**

(22) Filed: **Oct. 5, 2012**

(51) **LOC (10) Cl.** ..... **10-05**

(52) **U.S. Cl.**  
USPC ..... **D10/109.1**

(58) **Field of Classification Search**  
USPC ..... D10/109.1, 111, 114.1, 113.4, 6;  
116/215; 324/207.11; 33/365  
See application file for complete search history.

(56) **References Cited**

**U.S. PATENT DOCUMENTS**

D74,021 S \* 12/1927 Oestnaes ..... D10/111  
D199,193 S \* 9/1964 Escalante ..... D10/6

3,207,122 A \* 9/1965 Salembier ..... 116/215  
D205,299 S \* 7/1966 Escalante ..... D10/6  
3,467,053 A \* 9/1969 Davis et al. .... 116/215  
D264,565 S \* 5/1982 Medeiros ..... D10/109.1  
D364,109 S \* 11/1995 Stanuch et al. .... D10/114.1  
D501,668 S \* 2/2005 Kayoum ..... D20/29  
8,671,582 B2 \* 3/2014 Branch ..... 33/365  
2010/0315070 A1 \* 12/2010 Hong ..... 324/207.11

\* cited by examiner

*Primary Examiner* — George D Kirschbaum

(74) *Attorney, Agent, or Firm* — James L. Baudino

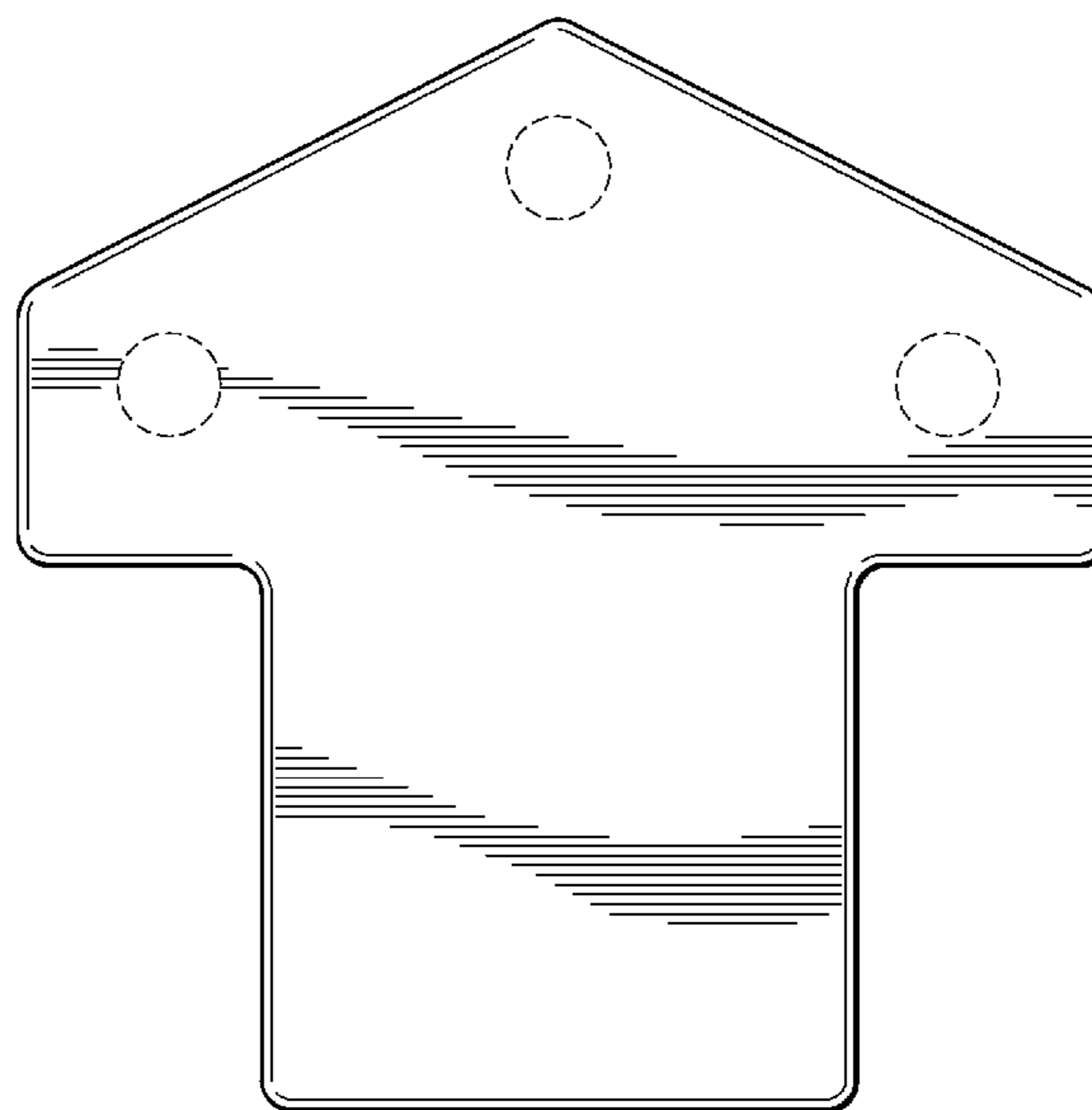
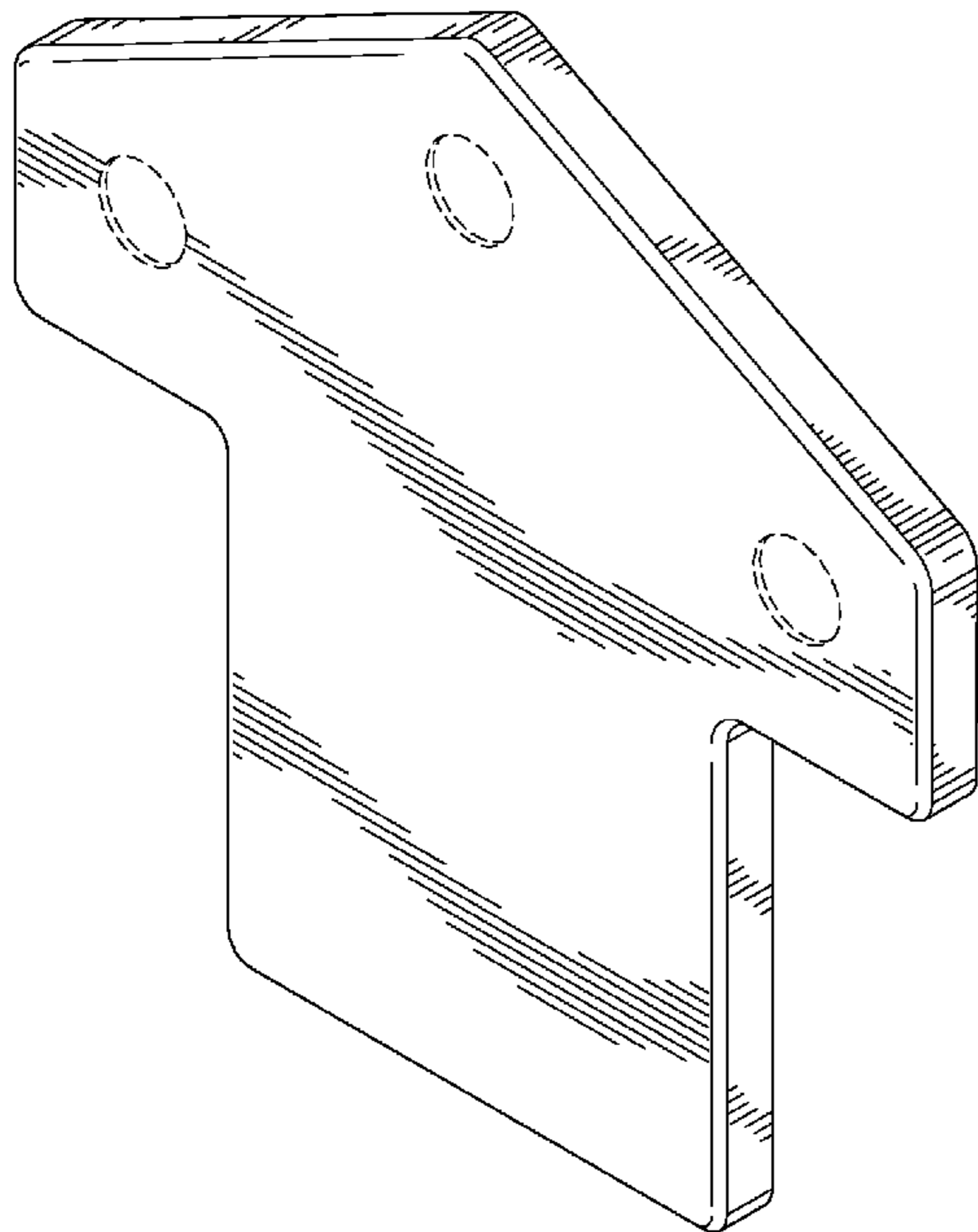
(57) **CLAIM**

The ornamental design for a tilt detector and indicator, as shown.

**DESCRIPTION**

FIG. 1 is a top perspective view of a tilt detector and indicator showing the new design;  
FIG. 2 is a front elevation view thereof;  
FIG. 3 is a right side elevation view thereof;  
FIG. 4 is a rear elevation view thereof;  
FIG. 5 is a top plan view thereof; and,  
FIG. 6 is a bottom plan view thereof.

**1 Claim, 3 Drawing Sheets**



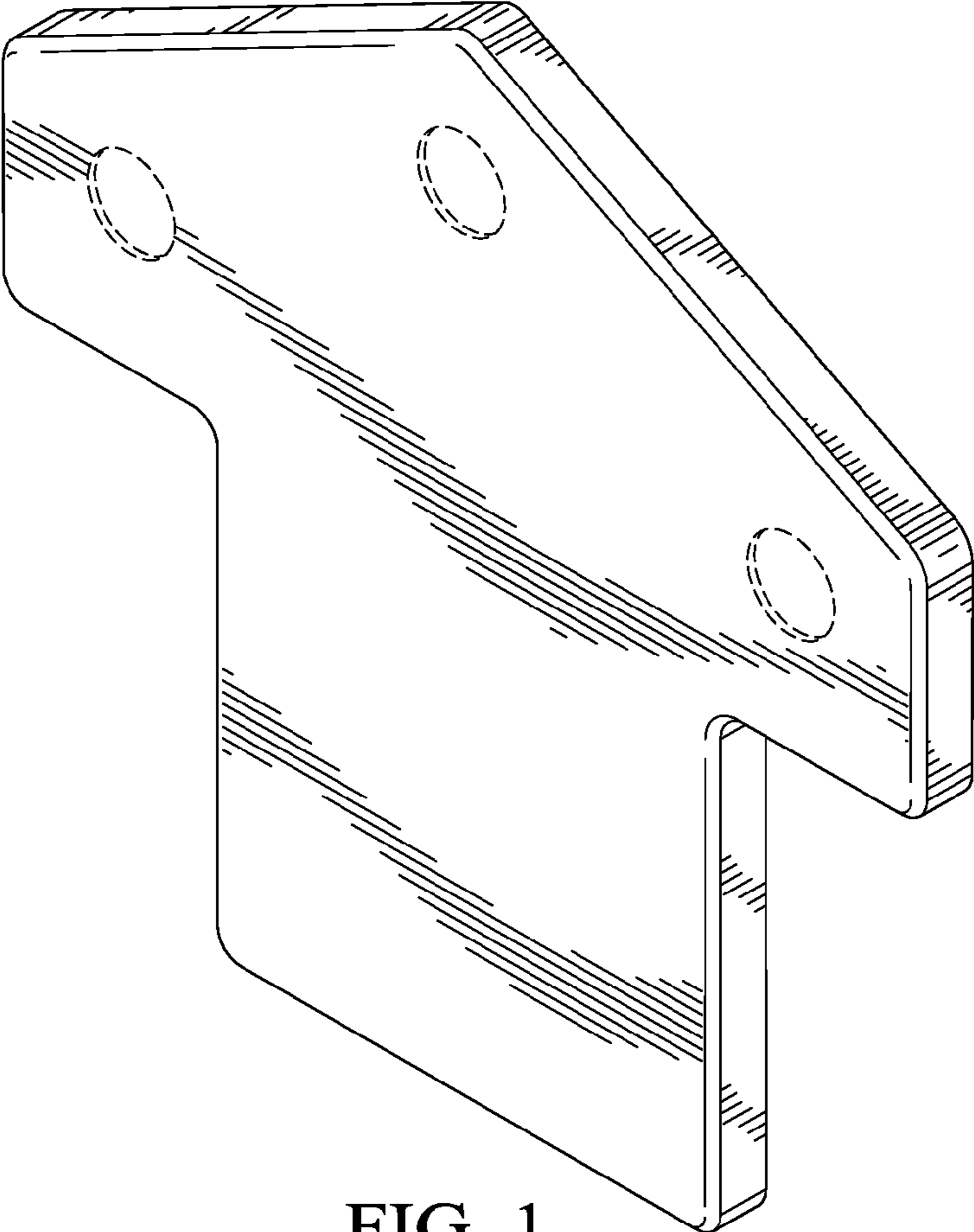


FIG. 1

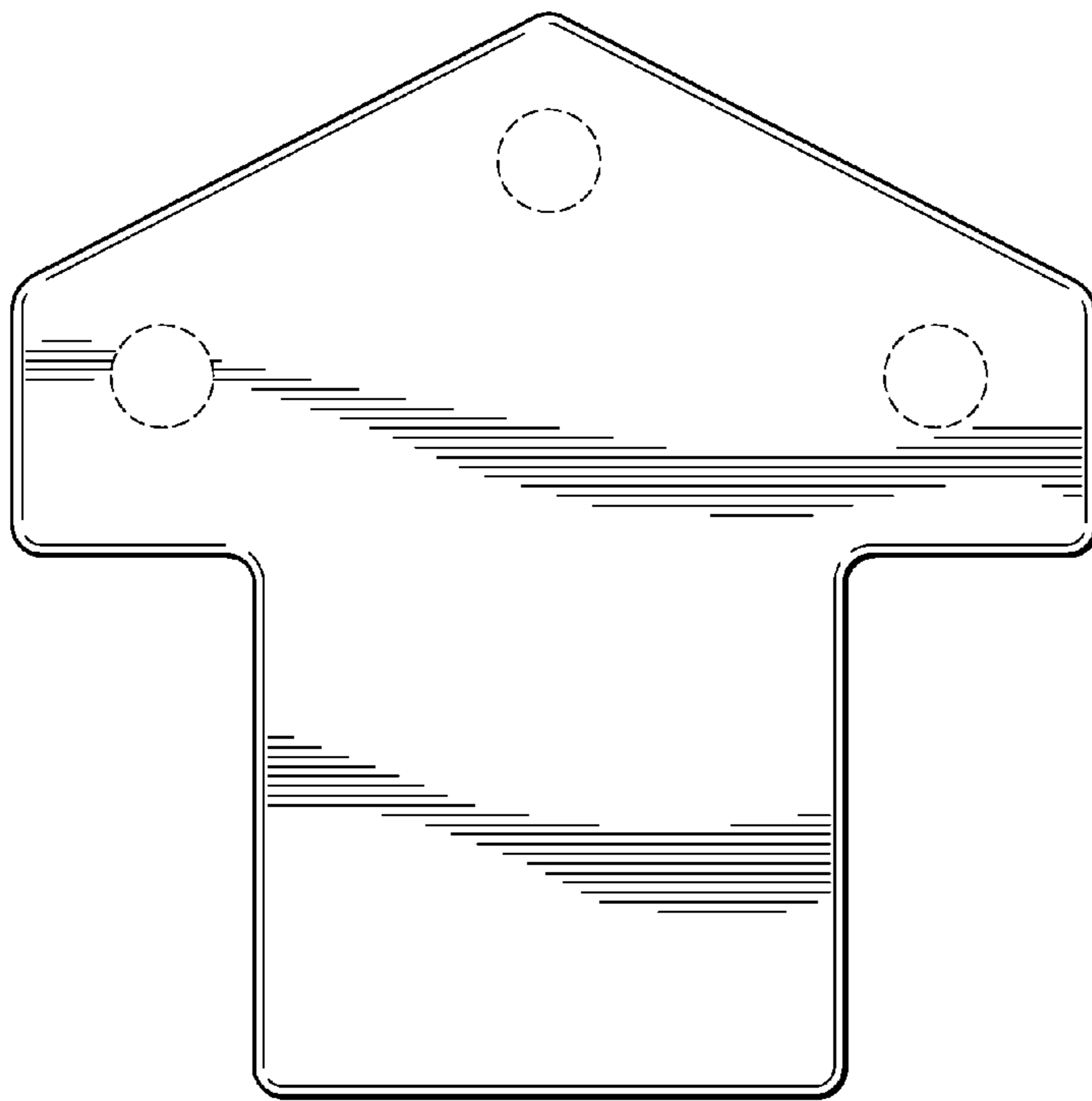


FIG. 2



FIG. 3

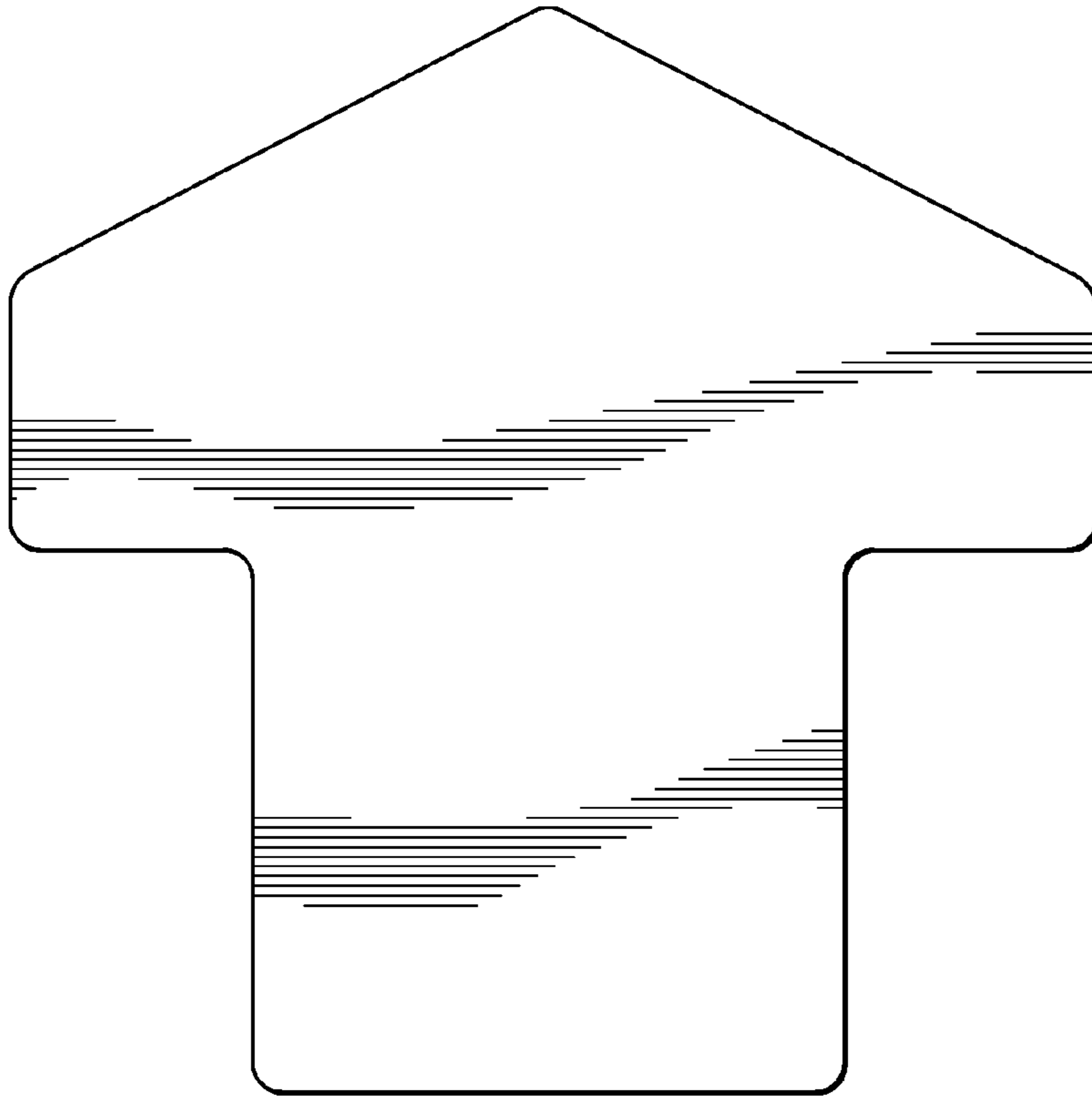


FIG. 4



FIG. 5



FIG. 6