



US00D706154S

(12) **United States Design Patent**  
**Saulnier**

(10) **Patent No.:** **US D706,154 S**  
(45) **Date of Patent:** **\*\* Jun. 3, 2014**

(54) **LINE STORAGE BUOY**

6,527,605 B1 3/2003 Charle  
D474,397 S \* 5/2003 Plummer ..... D8/359  
7,303,453 B1 \* 12/2007 Bourke ..... 441/6

(76) Inventor: **Kenneth D. Saulnier**, Nova Scotia (CA)

(\*\*) Term: **14 Years**

FOREIGN PATENT DOCUMENTS

(21) Appl. No.: **29/417,285**

CA 1286544 7/1991  
CA 2063544 9/1993  
CA 132752 1/2012

(22) Filed: **Apr. 2, 2012**

(51) **LOC (10) Cl.** ..... **08-05**

(52) **U.S. Cl.**  
USPC ..... **D10/107; D8/359**

(58) **Field of Classification Search**  
USPC ..... D8/359; D10/107; 441/6, 11, 23, 26,  
441/24, 25; 138/37; D21/453; D22/137;  
137/511; 114/245, 254; 43/43.1  
See application file for complete search history.

OTHER PUBLICATIONS

Webpage—"www.rollerbuoy.com" originally published on or about  
Oct. 18, 2009. Rotofloat Technologies.

\* cited by examiner

*Primary Examiner* — Robert M Spear  
*Assistant Examiner* — Eliza Bennett-Hattan  
(74) *Attorney, Agent, or Firm* — Yancy IP Law, PLLC

(56) **References Cited**

**CLAIM**

The ornamental design for a line storage buoy, as shown and  
described.

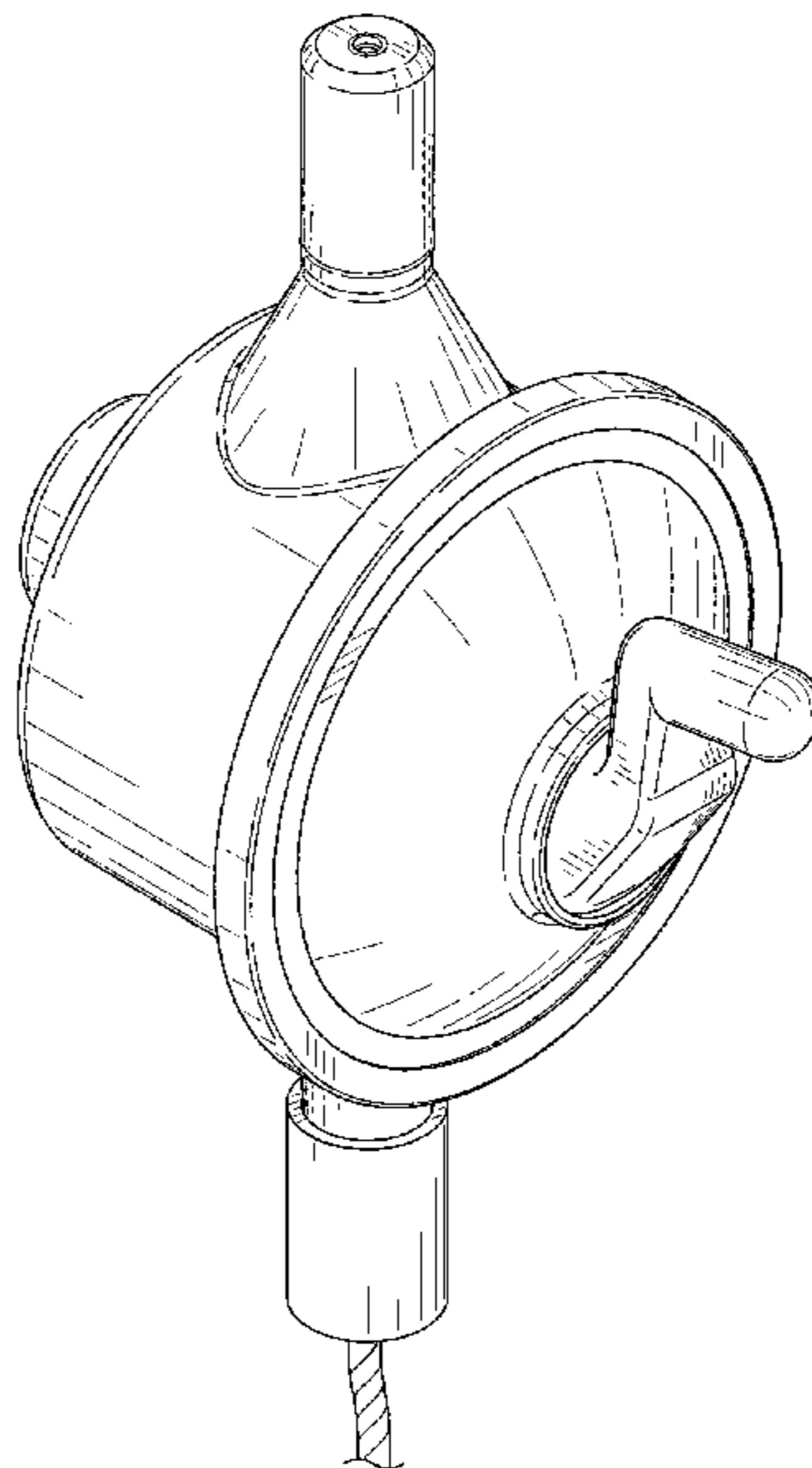
U.S. PATENT DOCUMENTS

946,174 A \* 1/1910 Froman et al. .... 441/26  
D177,612 S \* 5/1956 Browning ..... D8/359  
3,122,340 A 2/1964 Gentile  
4,014,478 A 3/1977 Bonacina  
D275,729 S \* 10/1984 Stoddard ..... D8/359  
4,808,133 A 2/1989 Gram  
4,927,395 A 5/1990 Saulnier  
5,141,458 A 8/1992 Church  
5,173,067 A 12/1992 Biba  
D338,391 S \* 8/1993 Price ..... D8/359  
5,299,962 A 4/1994 Saulnier  
D347,191 S \* 5/1994 Kinney et al. .... D10/107  
D355,111 S \* 2/1995 Janssen ..... D8/359  
D360,354 S \* 7/1995 Sutton et al. .... D8/359  
D362,797 S \* 10/1995 Caracciolo ..... D8/359  
D365,013 S \* 12/1995 Fujino ..... D8/359  
D375,251 S \* 11/1996 Stevens et al. .... D8/359  
5,640,922 A 6/1997 Feldkamp  
5,803,780 A 9/1998 Gutierrez, Jr.  
D434,970 S \* 12/2000 Wang ..... D8/359

**DESCRIPTION**

FIG. 1 is a front perspective view of the line storage buoy  
showing the design;  
FIG. 2 is a rear perspective view thereof;  
FIG. 3 is a left side view thereof, the right side view being the  
mirror image;  
FIG. 4 is a front view thereof;  
FIG. 5 is a rear view thereof;  
FIG. 6 is a top view thereof;  
FIG. 7 is a bottom view thereof;  
FIG. 8 is an exploded perspective view of the design of FIGS.  
1-7 with the line removed for clarity of disclosure; and,  
FIG. 9 is a side view showing the design in environment with  
a flag attached. The features shown in broken lines do not  
form part of the design.

**1 Claim, 9 Drawing Sheets**



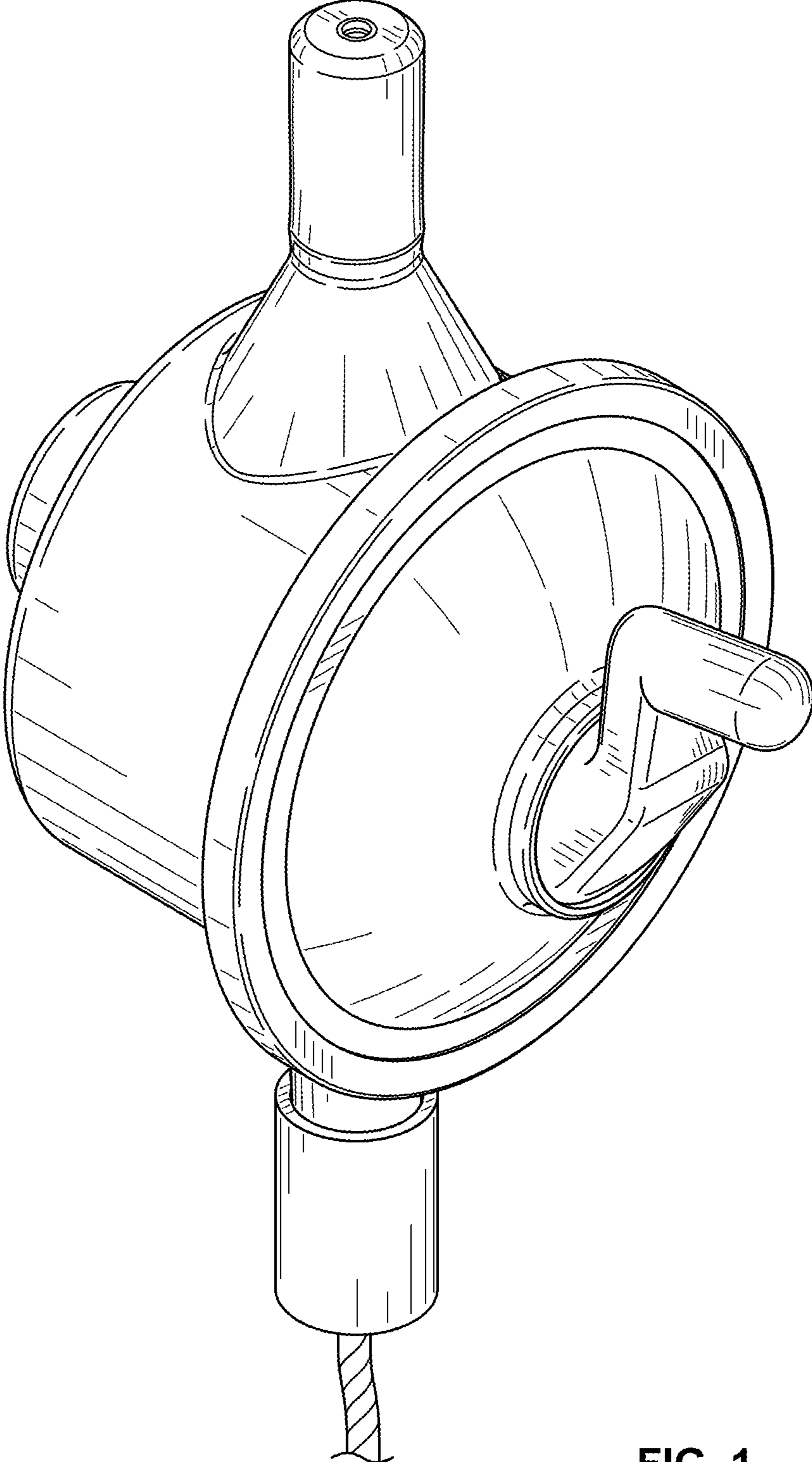


FIG. 1

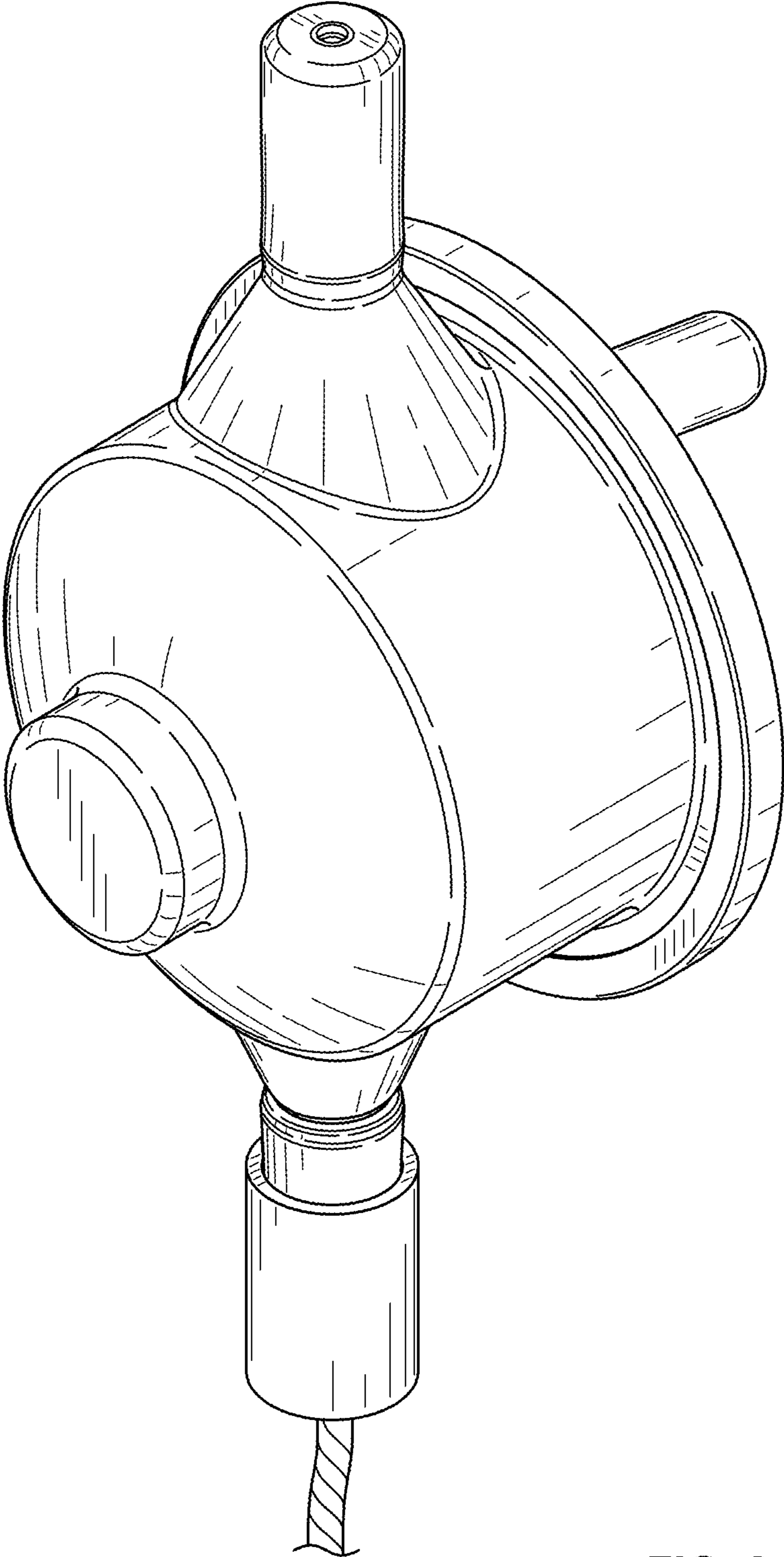


FIG. 2

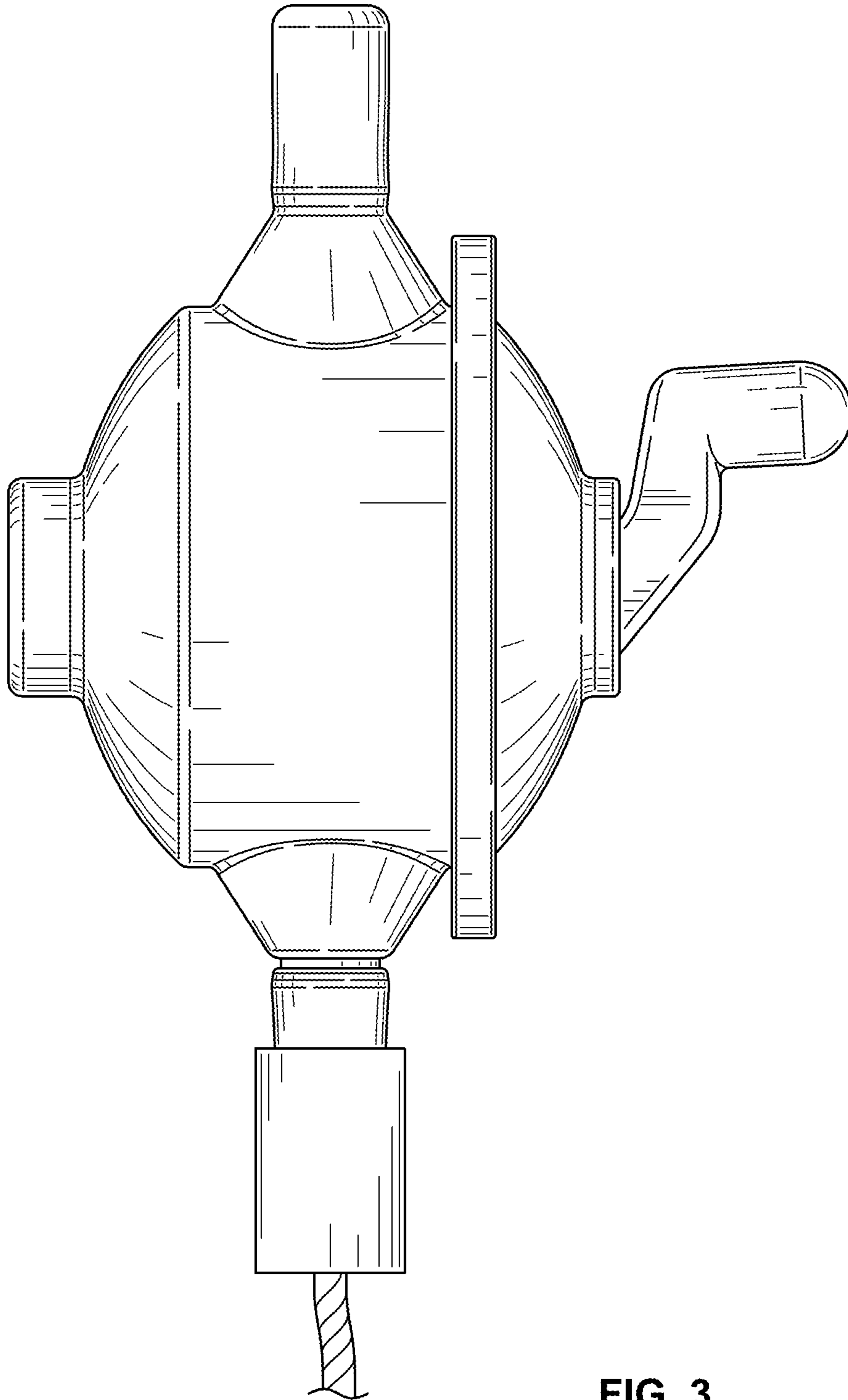


FIG. 3

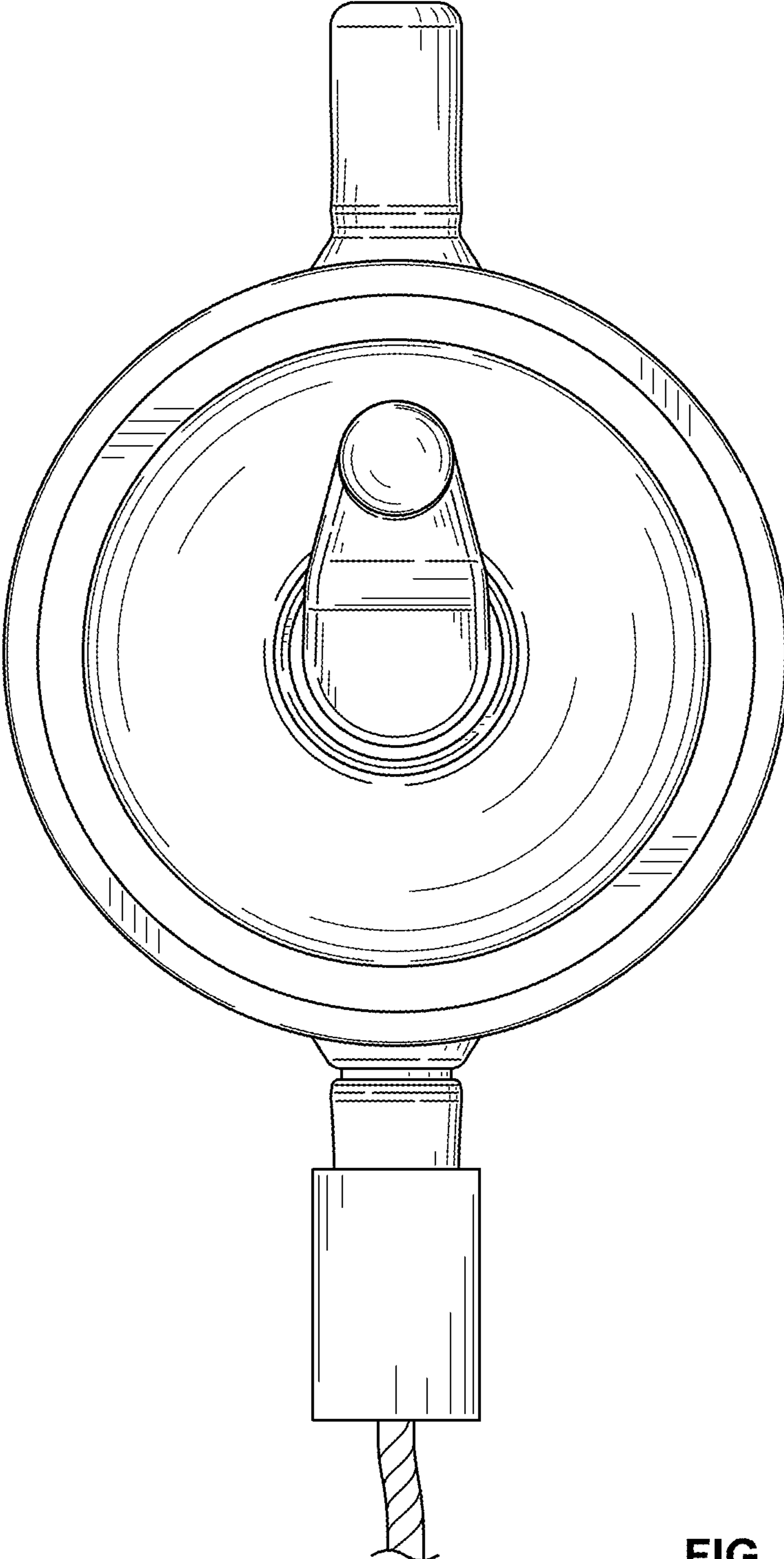


FIG. 4

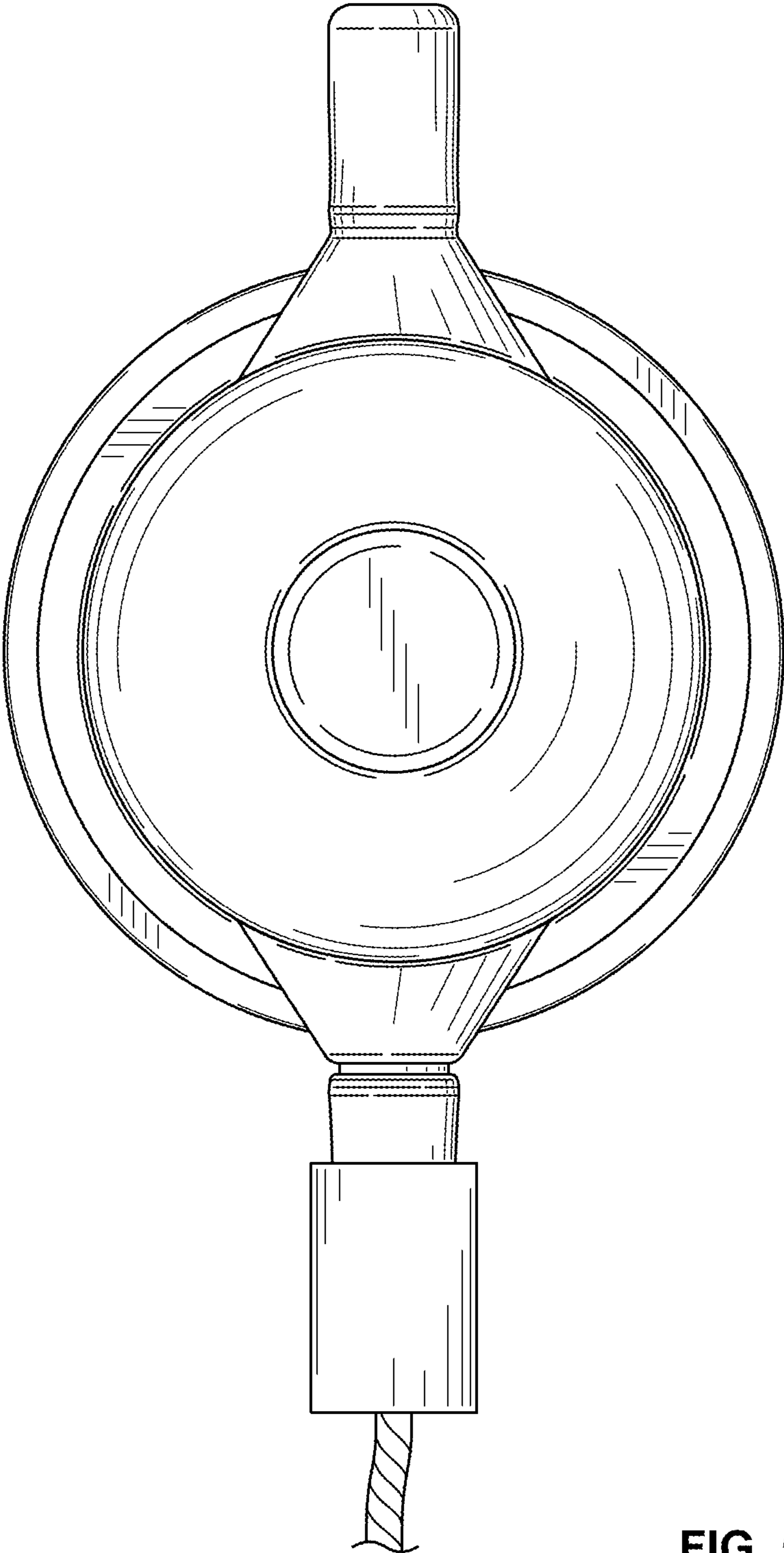


FIG. 5

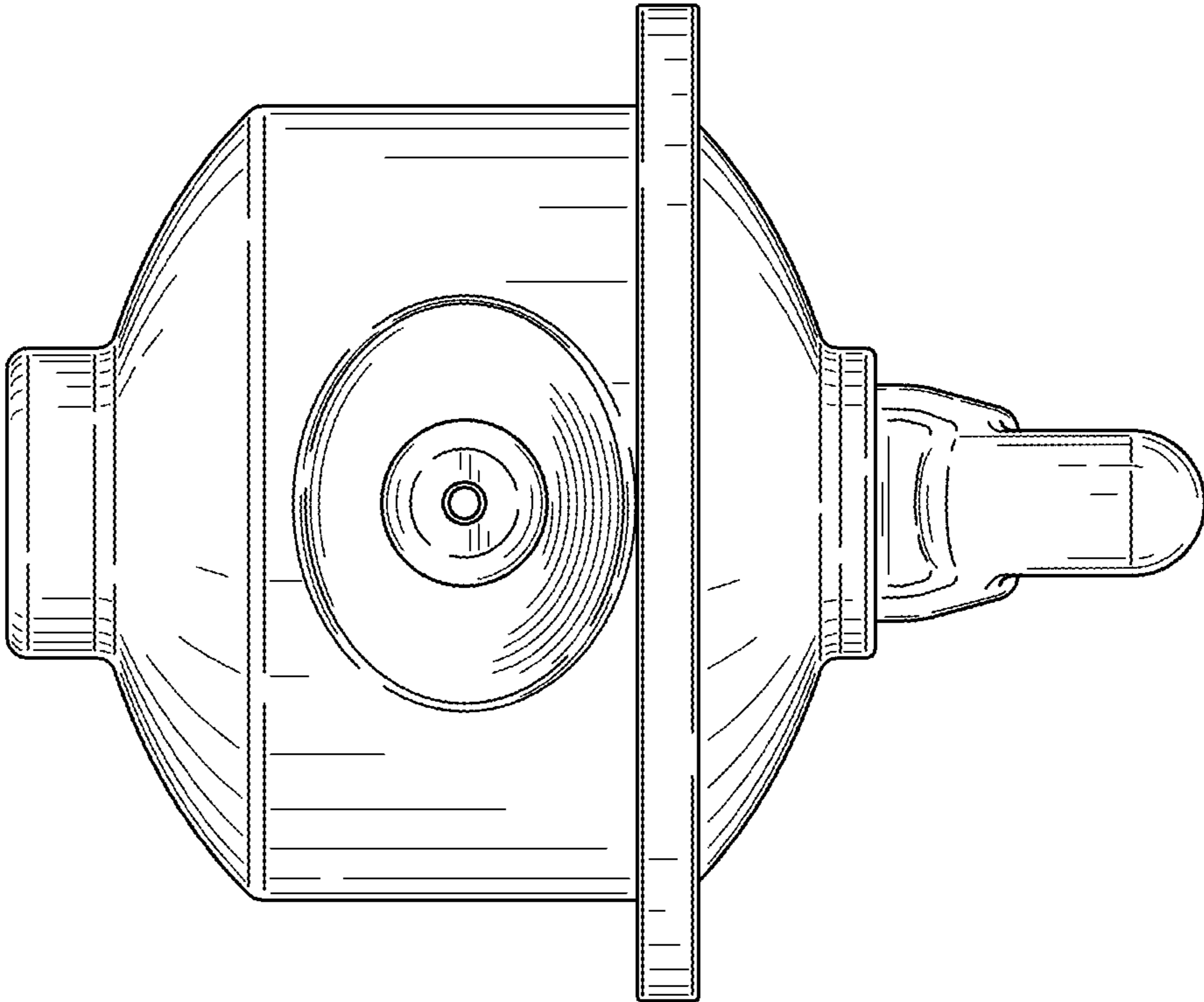


FIG. 6

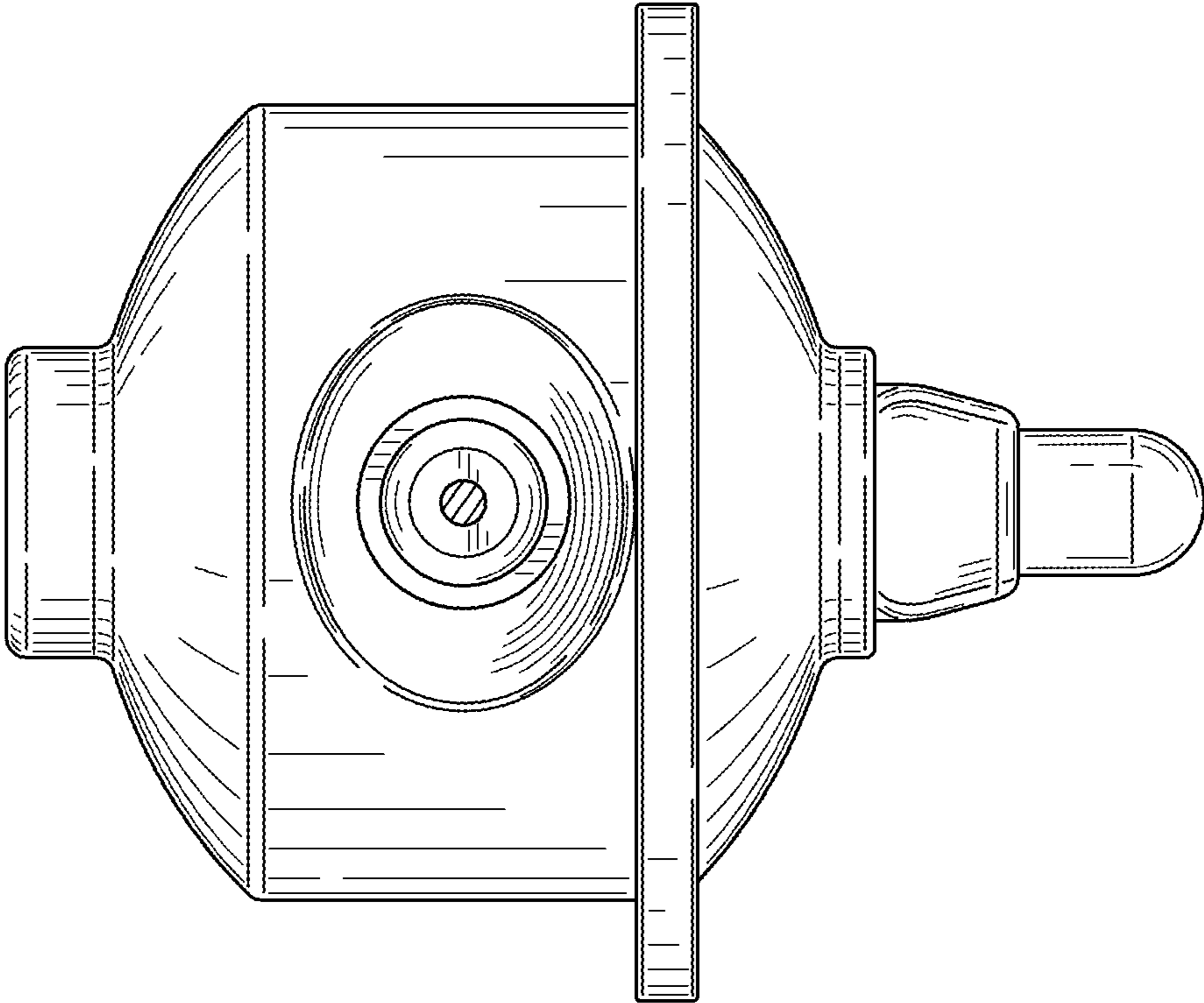


FIG. 7



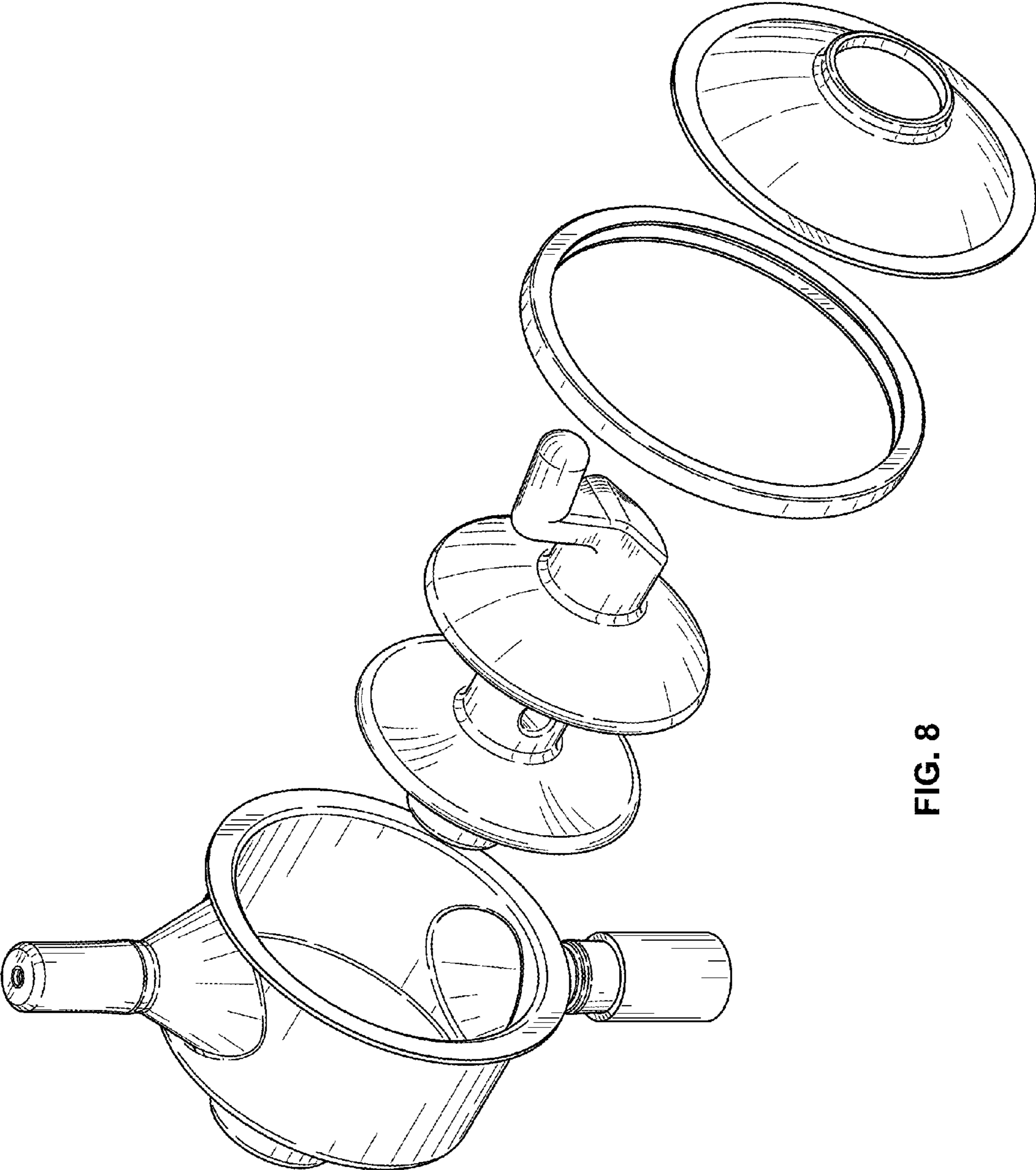


FIG. 8

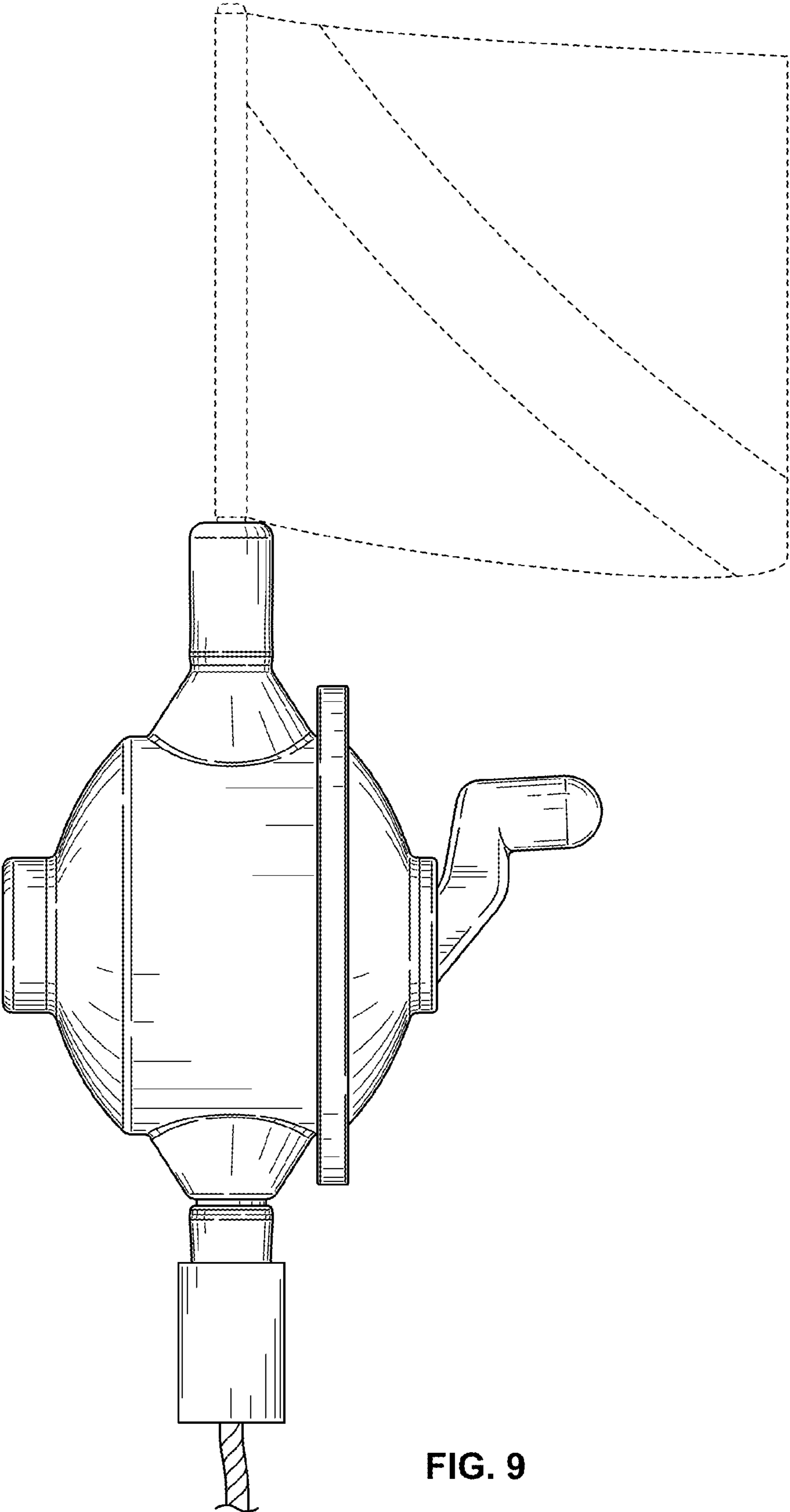


FIG. 9