



US00D706153S

(12) **United States Design Patent**
Sayegh et al.

(10) **Patent No.:** **US D706,153 S**
(45) **Date of Patent:** **** Jun. 3, 2014**

(54) **THEFT DETERRENT APPARATUS HAVING A REMOVABLE PIN**

(71) Applicants: **Adel O. Sayegh**, Rancho Cucamonga, CA (US); **Edgardo M. Redublo**, Chino Hills, CA (US); **Jimin Xi**, Hangzhou (CN)

(72) Inventors: **Adel O. Sayegh**, Rancho Cucamonga, CA (US); **Edgardo M. Redublo**, Chino Hills, CA (US); **Jimin Xi**, Hangzhou (CN)

(73) Assignee: **Universal Surveillance Systems, LLC**, Rancho Cucamonga, CA (US)

(**) Term: **14 Years**

(21) Appl. No.: **29/436,119**

(22) Filed: **Nov. 1, 2012**

(51) **LOC (10) Cl.** **10-05**

(52) **U.S. Cl.**
USPC **D10/106.91**

(58) **Field of Classification Search**
USPC D10/106.9–10.94; 70/57.1
See application file for complete search history.

(56) **References Cited**

U.S. PATENT DOCUMENTS

4,685,234	A *	8/1987	Anderson et al.	40/625
D352,913	S	11/1994	Garner et al.	
D353,115	S	12/1994	Garner et al.	
D356,044	S	3/1995	Clements	
D388,722	S	1/1998	Wilson	
D392,574	S	3/1998	Spagna	
D398,871	S	9/1998	Salami	
D399,445	S	10/1998	Camano	
D427,929	S	7/2000	Sayegh	

D432,442	S	10/2000	Sayegh	
D460,012	S	7/2002	Proulx et al.	
D466,426	S	12/2002	Proulx et al.	
D559,720	S *	1/2008	Raymond	D10/106.91
D625,637	S	10/2010	Sayegh	
2002/0158762	A1 *	10/2002	Nguyen et al.	340/572.9

* cited by examiner

Primary Examiner — George D Kirschbaum

(74) *Attorney, Agent, or Firm* — Milord A. Keshishian

(57) **CLAIM**

The ornamental design for a theft deterrent apparatus having a removable pin, as shown and described.

DESCRIPTION

FIG. 1 is a front perspective view of the theft deterrent apparatus having a removable pin in an engaged state;

FIG. 2 is a front plan view of the apparatus in an engaged state;

FIG. 3 is a left plan view of the apparatus in an engaged state;

FIG. 4 is a right plan view of the apparatus in an engaged state;

FIG. 5 is a top plan view of the apparatus in an engaged state;

FIG. 6 is a bottom plan view of the apparatus in an engaged state;

FIG. 7 is a left side plan view of the removable pin portion wherein the right side is a mirror image;

FIG. 8 is a front plan view of the body of the apparatus in an unengaged state;

FIG. 9 is a rear plan view of the apparatus;

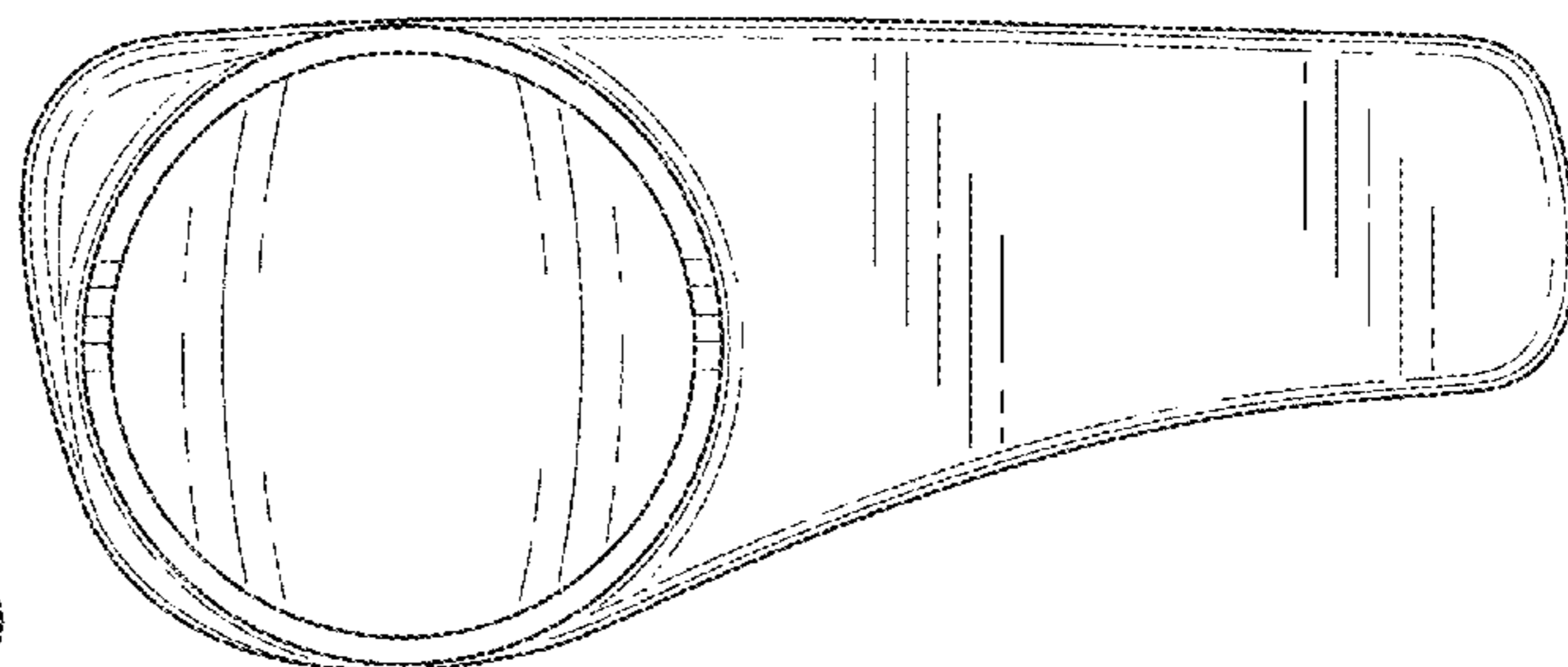
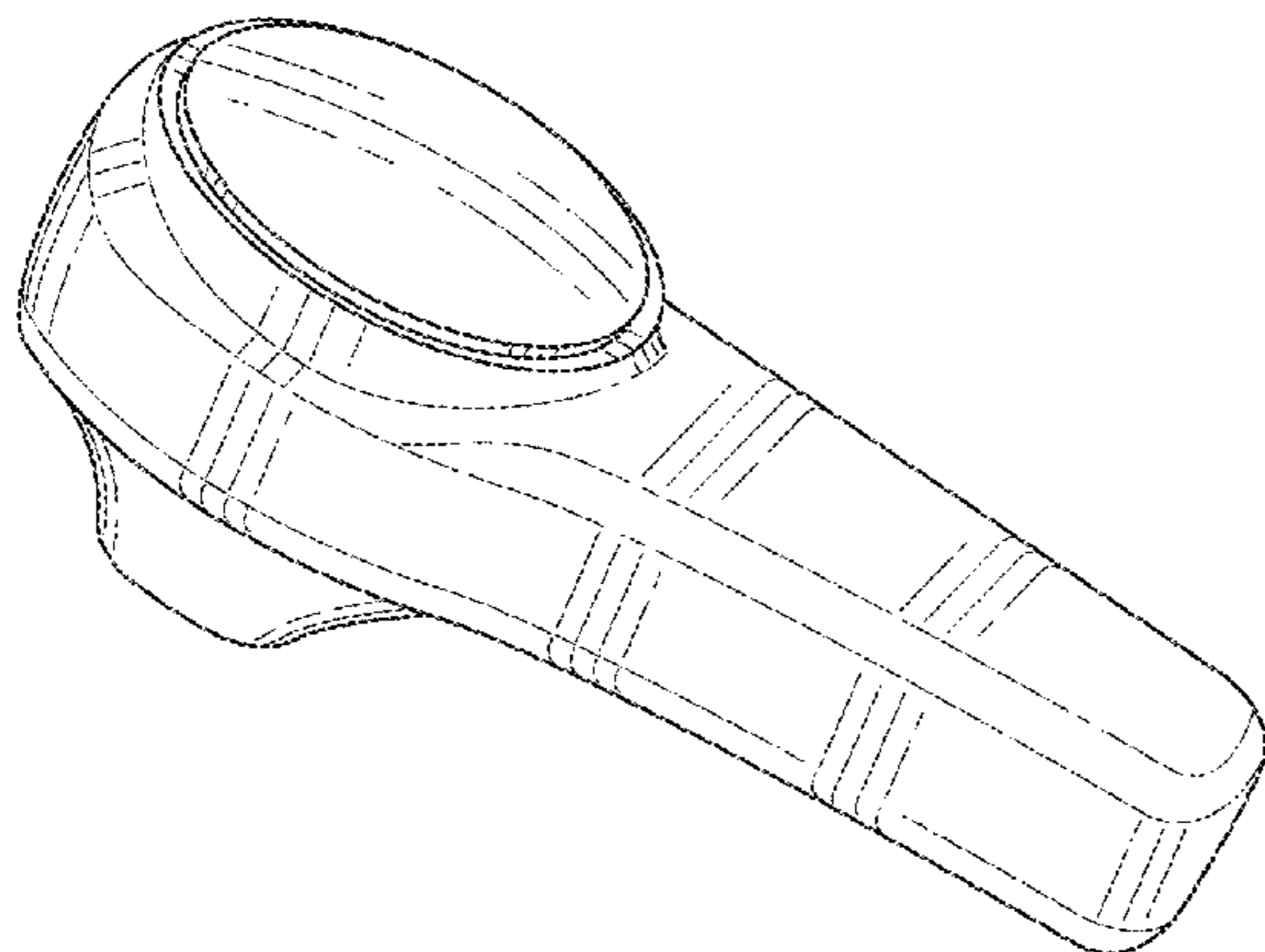
FIG. 10 is a right rear perspective view of the apparatus in an engaged state; and,

FIG. 11 is a left rear perspective view of the apparatus in an engaged state.

The body and removable pin portions have been shown separately in FIGS. 7 and 8 for convenience of illustration.

In the drawings, the broken lines illustrate environmental matter, and form no part of the claimed design.

1 Claim, 6 Drawing Sheets



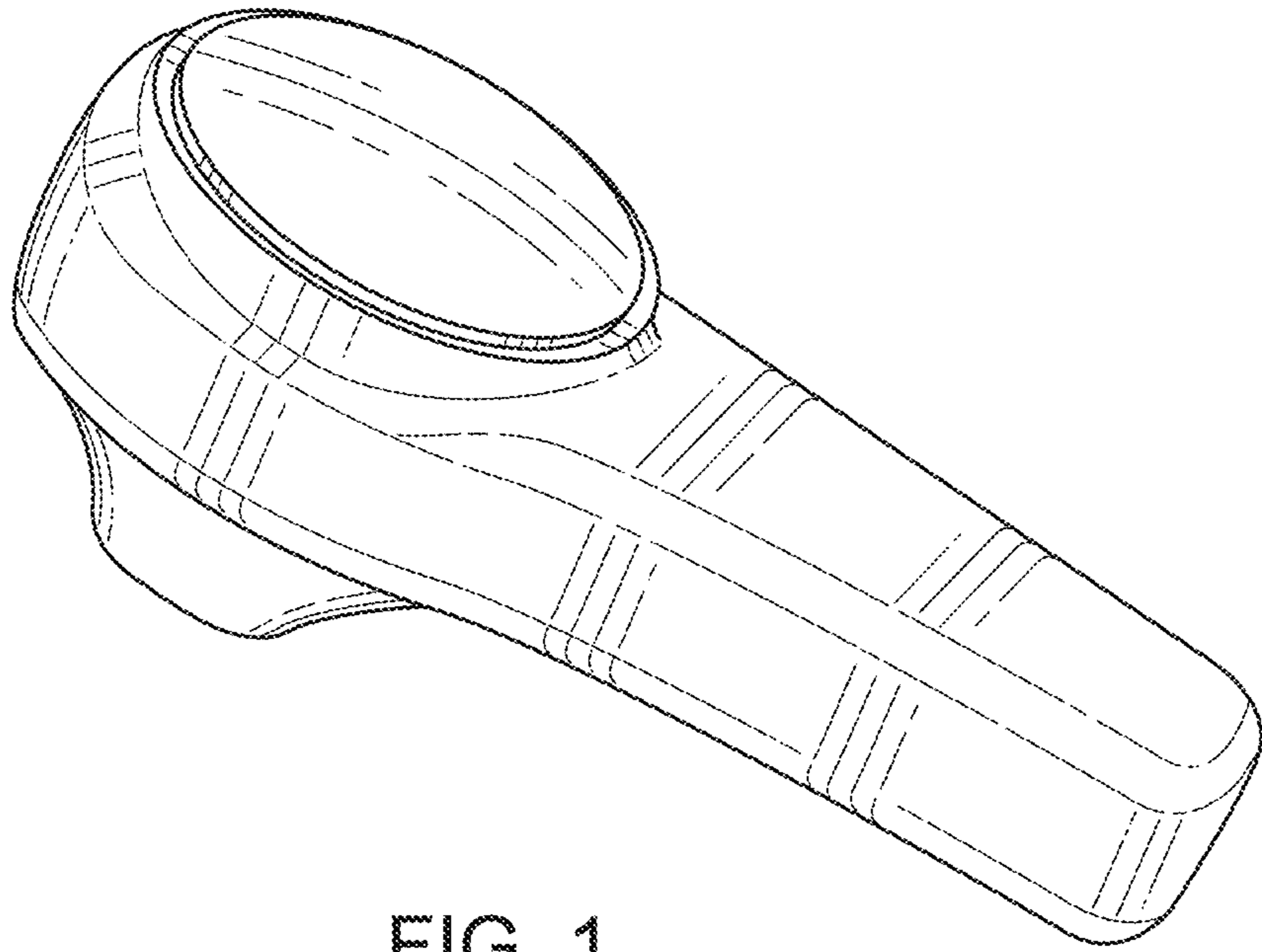


FIG. 1

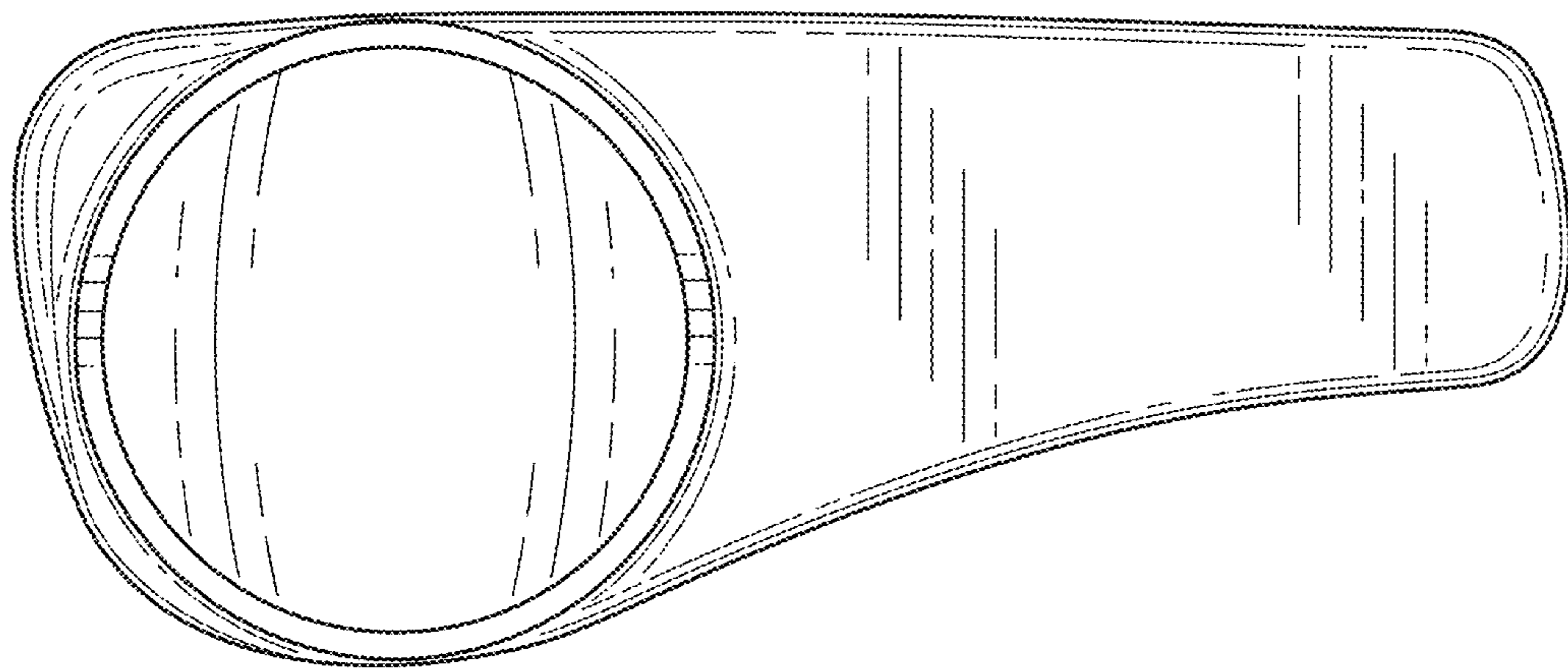


FIG. 2

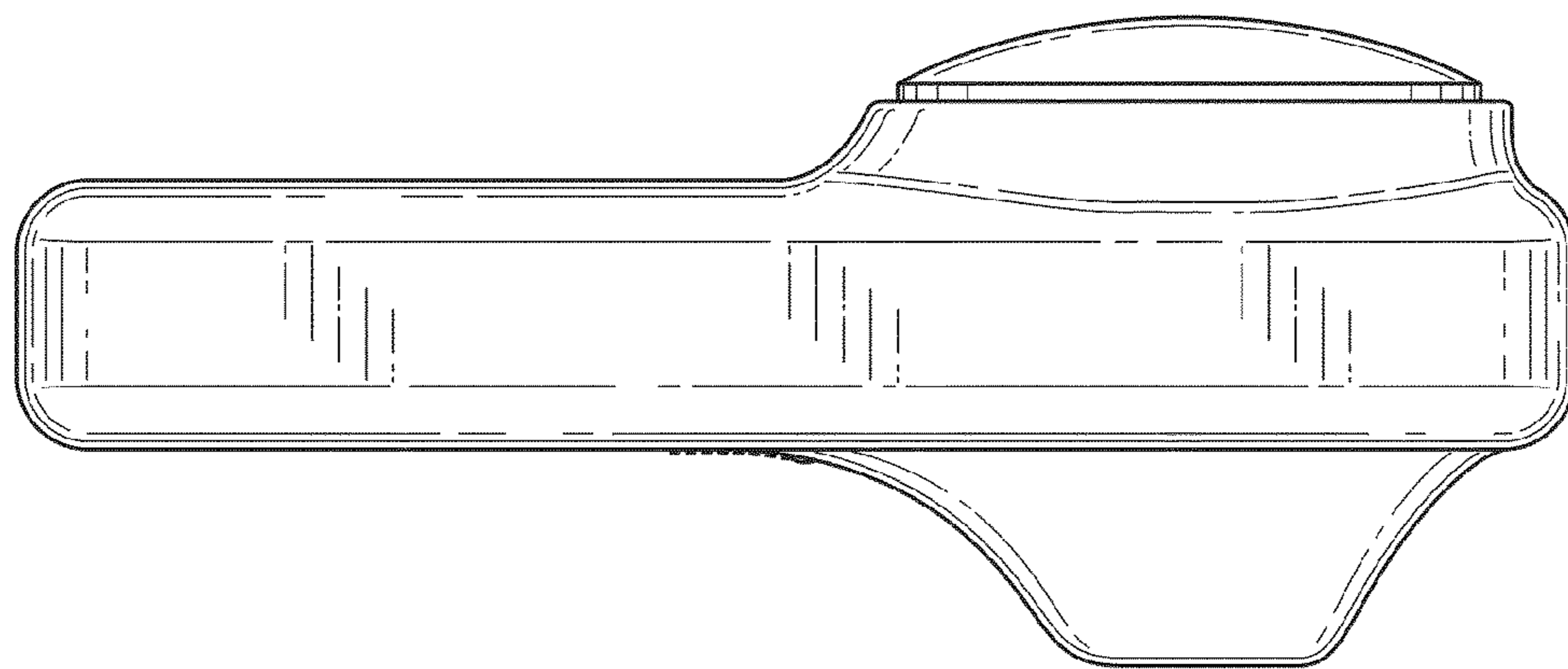


FIG. 3

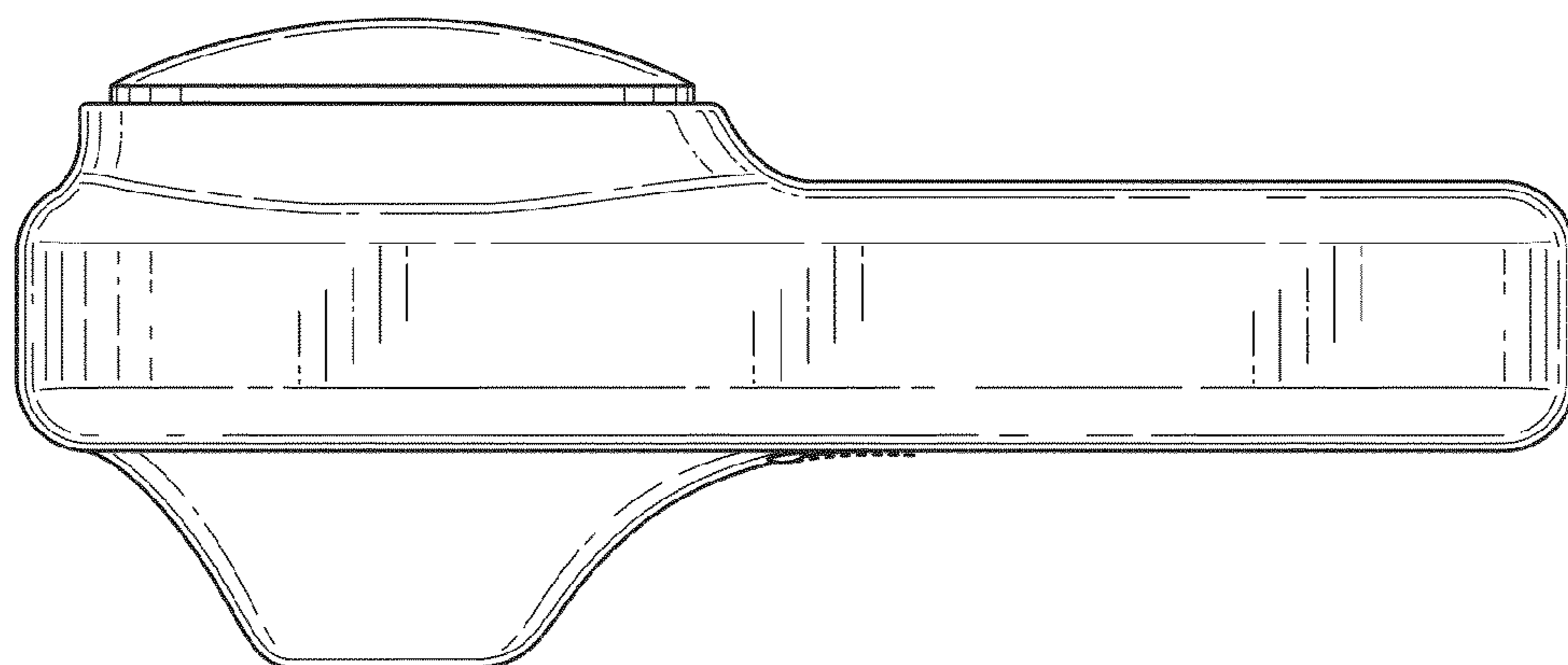


FIG. 4

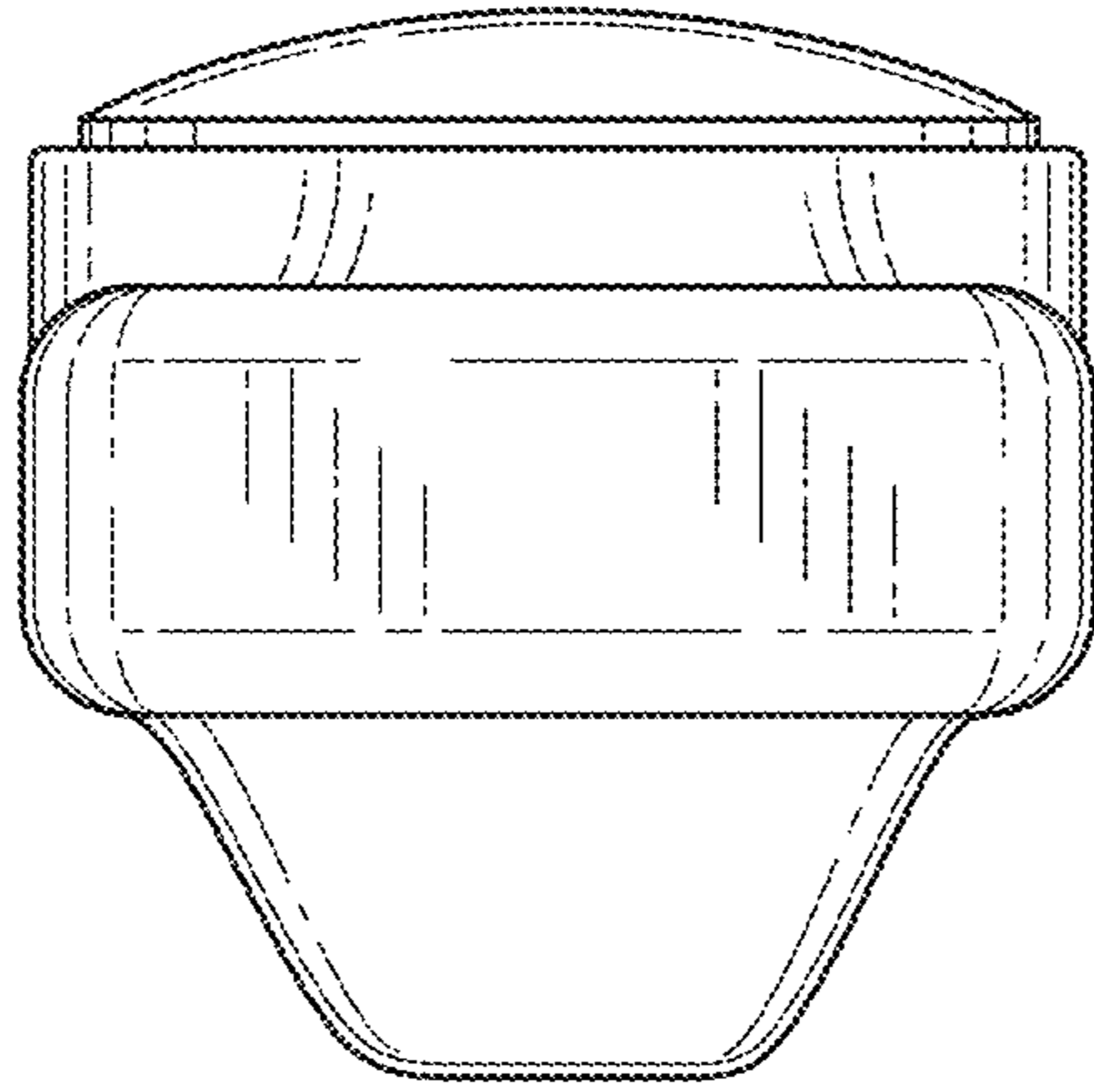


FIG. 5

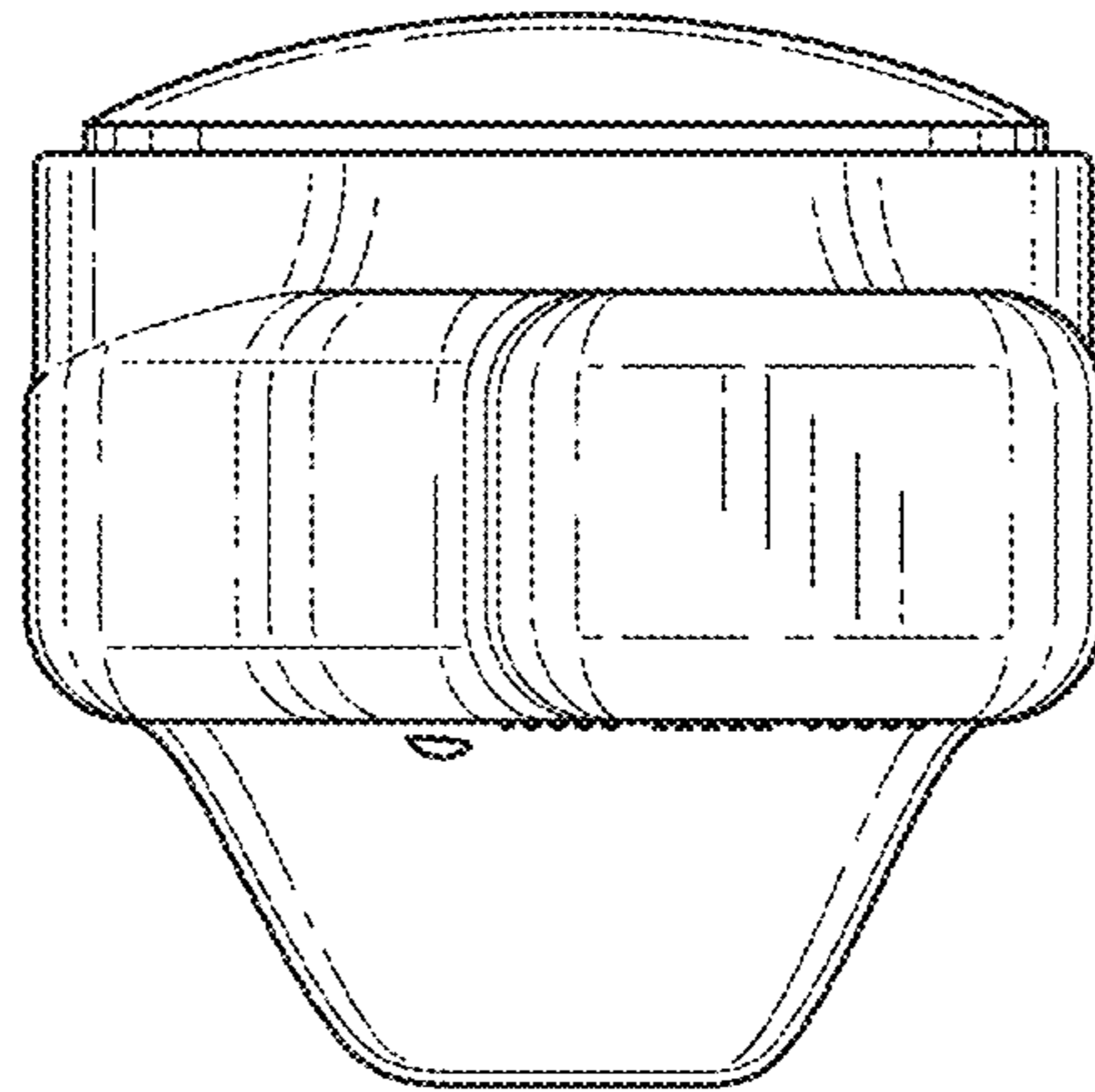


FIG. 6

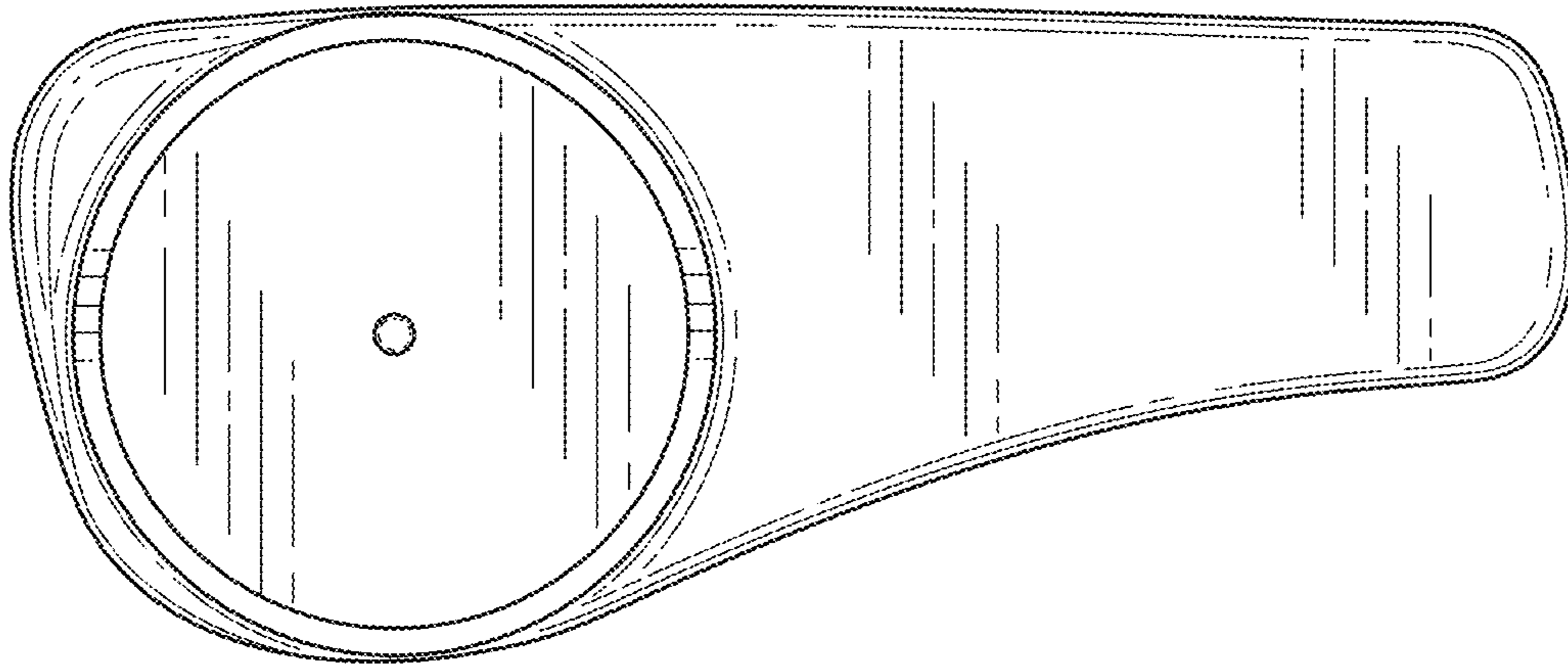


FIG. 8

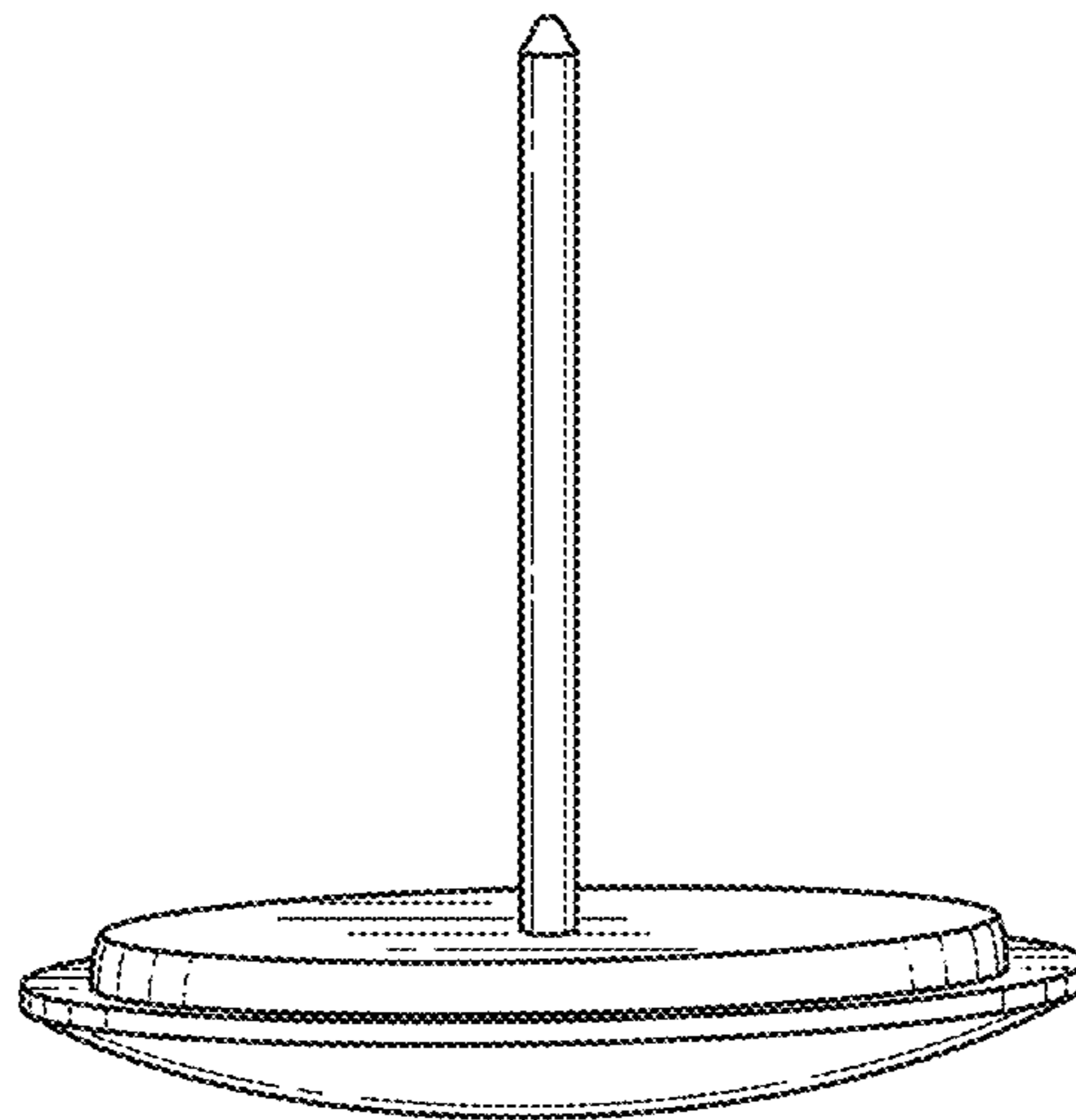


FIG. 7

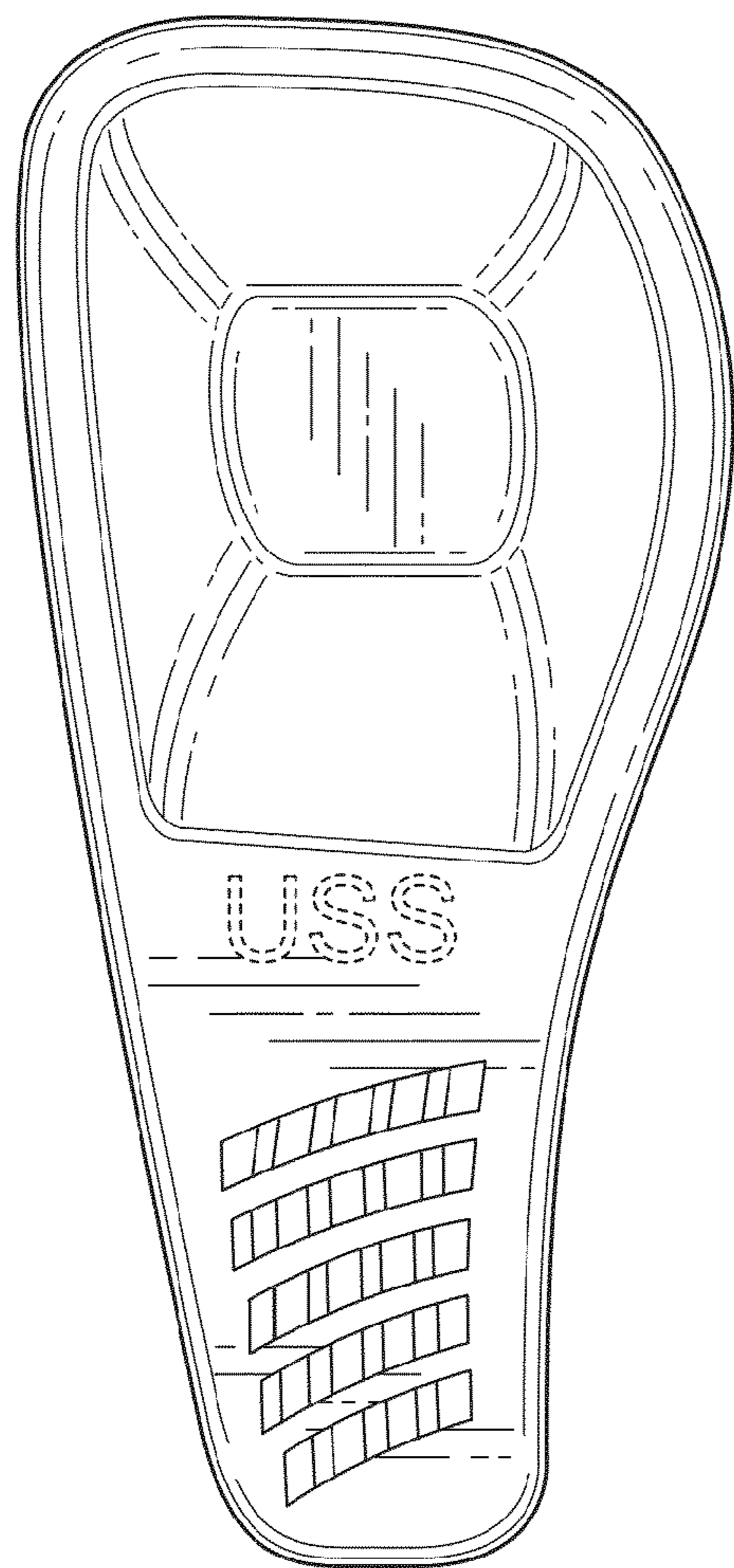


FIG. 9

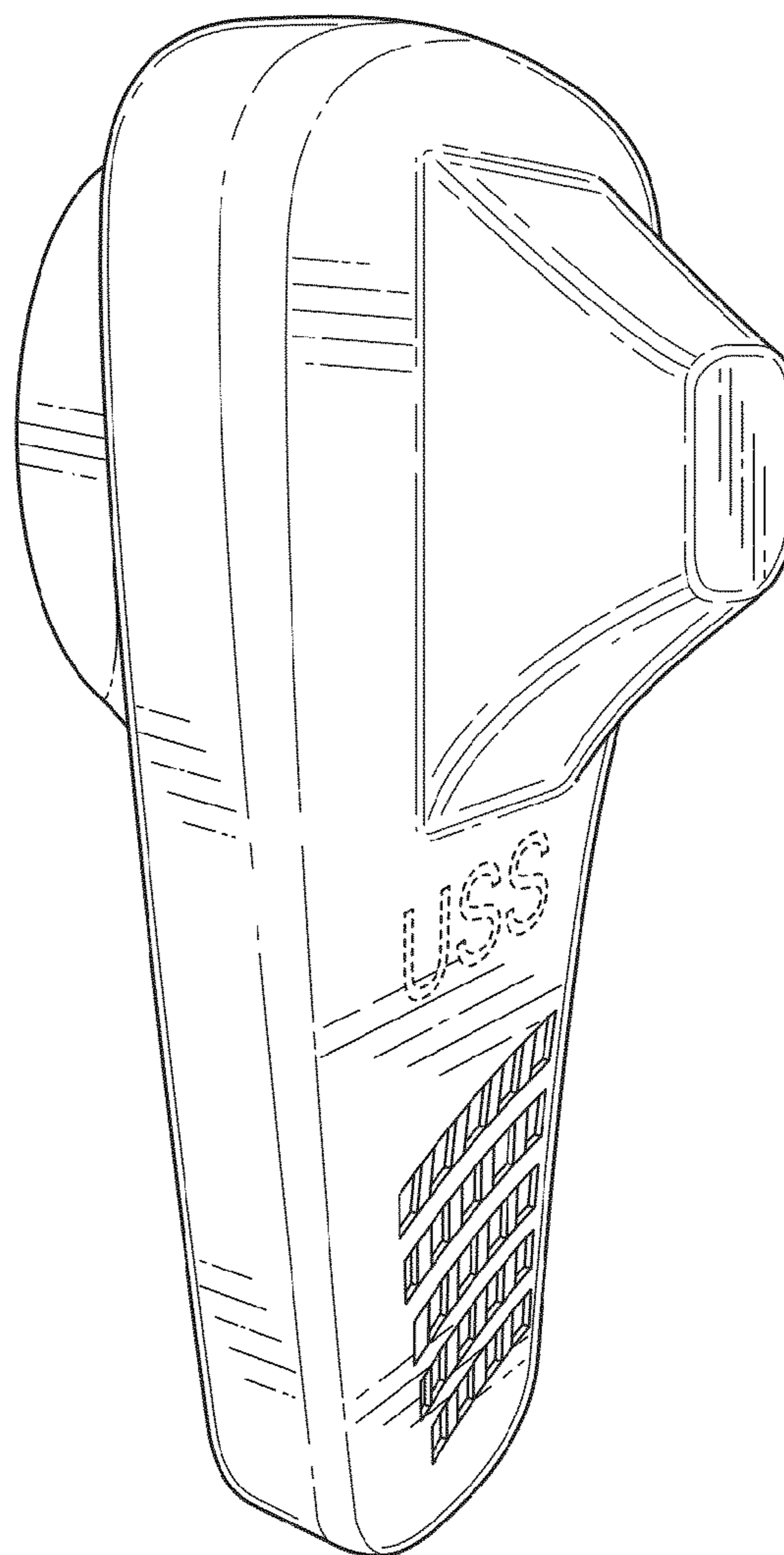


FIG. 10

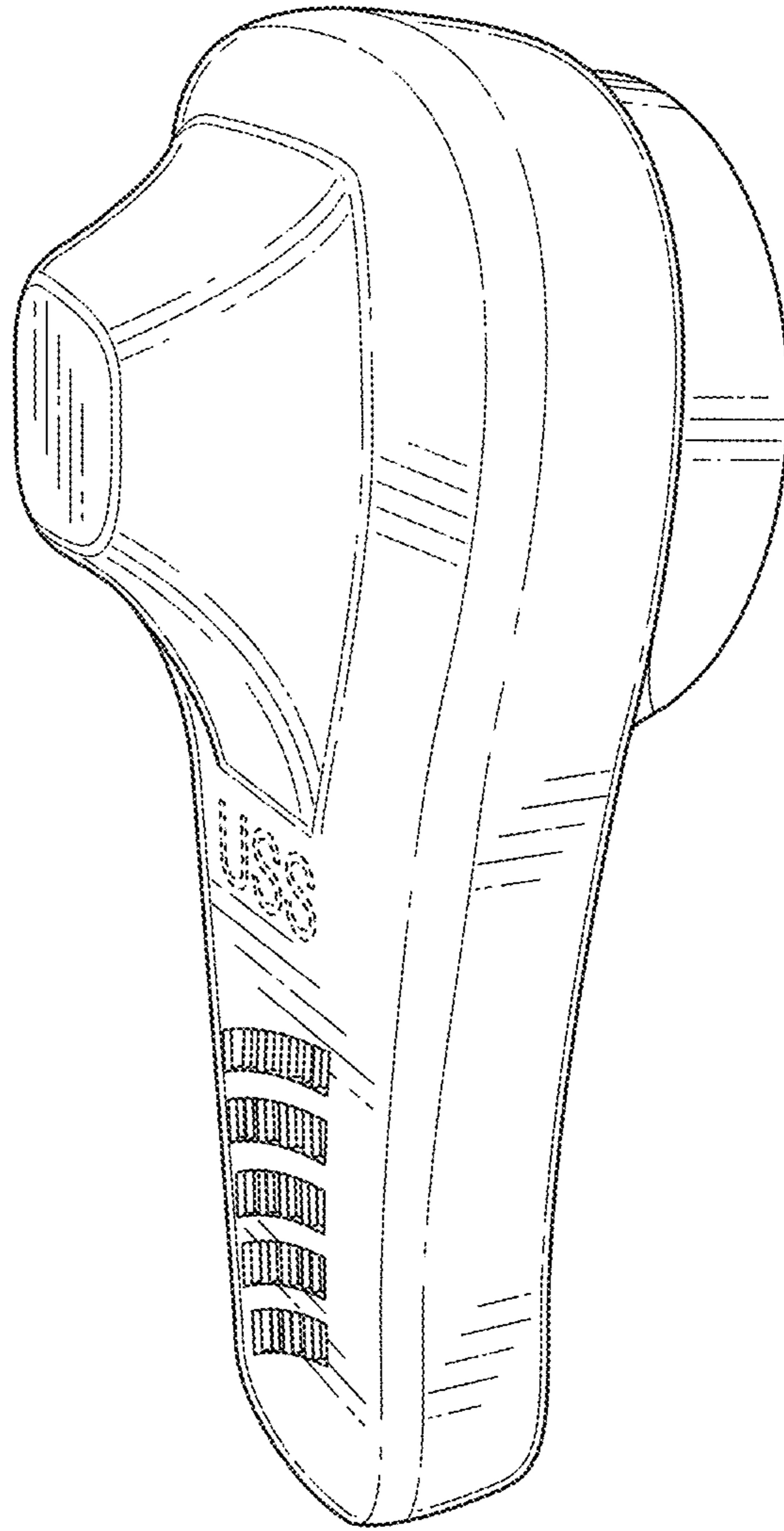


FIG. 11