



US00D706152S

(12) **United States Design Patent**
Ni et al.

(10) **Patent No.:** **US D706,152 S**
(45) **Date of Patent:** **** Jun. 3, 2014**

(54) **SENSOR WITH INDICATOR**

(71) Applicant: **Wenzhou MTLIC Electric Appliances Co., Ltd.**, Zhejiang (CN)

(72) Inventors: **Lidong Ni**, Yueqing (CN); **Wei Gao**, Yeuqing (CN)

(73) Assignee: **Wenzhou MTLIC Electric Appliances Co. Ltd**, Zhejiang (CN)

(**) Term: **14 Years**

(21) Appl. No.: **29/447,540**

(22) Filed: **Mar. 4, 2013**

(51) **LOC (10) Cl.** **10-05**

(52) **U.S. Cl.**
USPC **D10/106.6**

(58) **Field of Classification Search**
USPC D10/106.6, 70; 250/353; 361/748
See application file for complete search history.

(56) **References Cited**

U.S. PATENT DOCUMENTS

D404,325 S * 1/1999 Bender et al. D10/106.6
D404,326 S * 1/1999 Bender et al. D10/106.6

(Continued)

Primary Examiner — George D Kirschbaum

(74) *Attorney, Agent, or Firm* — Ziegler IP Law Group, LLC

(57) **CLAIM**

The ornamental design for a sensor with indicator, as shown and described.

DESCRIPTION

FIG. 1 is a side perspective view of a first embodiment of a sensor with indicator;

FIG. 2 is a top plan view of the sensor with indicator of FIG. 1;

FIG. 3 is a back plan view of the sensor with indicator of FIG. 1;

FIG. 4 is a front elevation view of the sensor with indicator of FIG. 1;

FIG. 5 is a back elevation view of the sensor with indicator of FIG. 1;

FIG. 6 is right side elevation view of the sensor with indicator of FIG. 1;

FIG. 7 is a left side elevation view of the sensor with indicator of FIG. 1;

FIG. 8 is a side perspective view of a second embodiment of a sensor with indicator;

FIG. 9 is a top plan view of the sensor with indicator of FIG. 7;

FIG. 10 is a back plan view of the sensor with indicator of FIG. 7;

FIG. 11 is a front elevation view of the sensor with indicator of FIG. 7;

FIG. 12 is a back elevation view of the sensor with indicator of FIG. 7;

FIG. 13 is right side elevation view of the sensor with indicator of FIG. 7;

FIG. 14 is a left side elevation view of the sensor with indicator of FIG. 7;

FIG. 15 is a side perspective view of a third embodiment of a sensor with indicator;

FIG. 16 is a top plan view of the sensor with indicator of FIG. 13;

FIG. 17 is a back plan view of the sensor with indicator of FIG. 13;

FIG. 18 is a front elevation view of the sensor with indicator of FIG. 13;

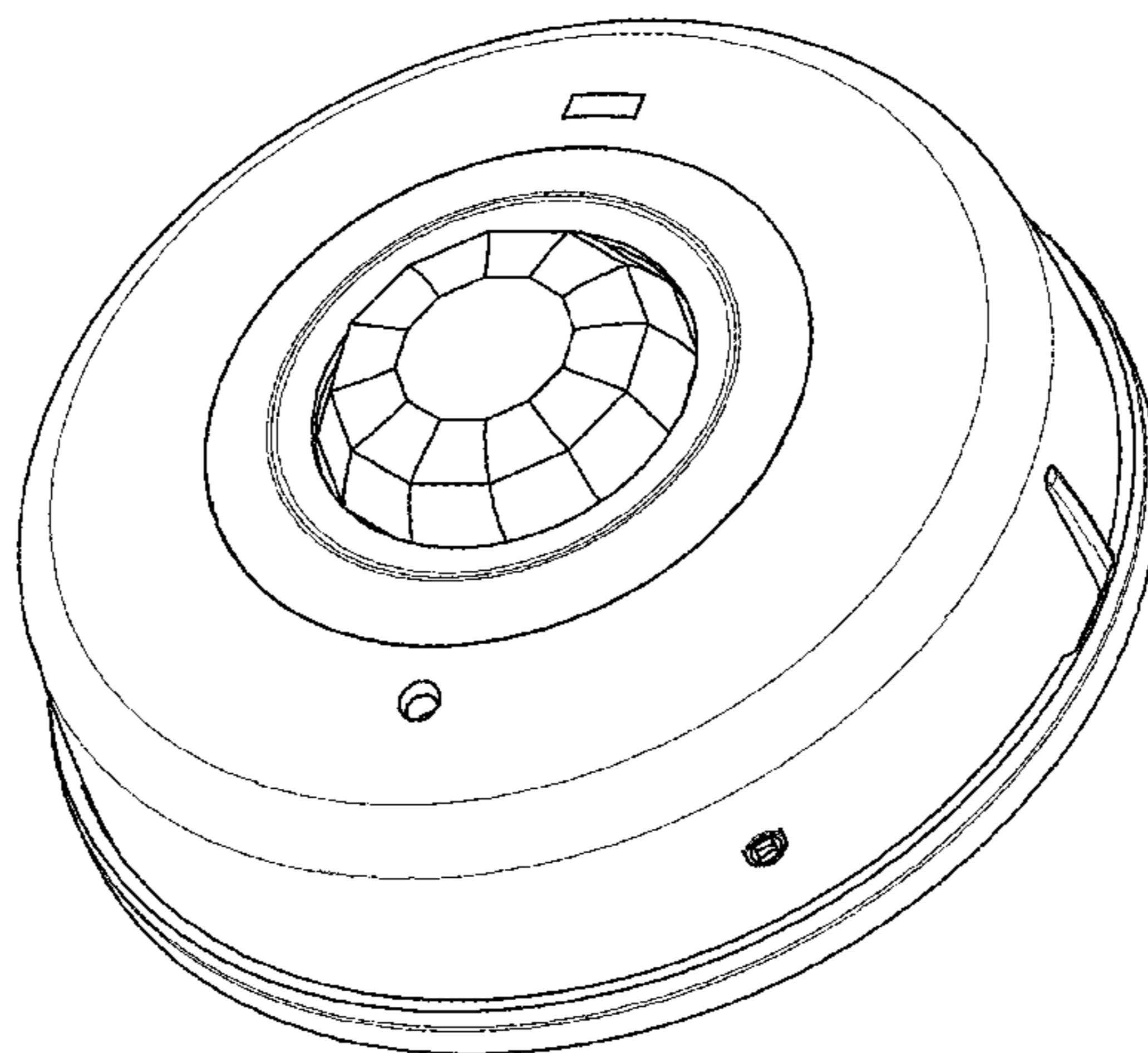
FIG. 19 is a back elevation view of the sensor with indicator of FIG. 13;

FIG. 20 is a right side elevation view of the sensor with indicator of FIG. 13; and,

FIG. 21 is a left side elevation view of the sensor with indicator of FIG. 13.

The broken lines appearing in the drawings are for the purpose of illustrating portions of the article in which the design is embodied. Portions of the article appearing in broken lines form no part of the claimed design.

1 Claim, 21 Drawing Sheets



(56)

References Cited

U.S. PATENT DOCUMENTS

6,222,191 B1 * 4/2001 Myron et al. 250/353
D588,484 S * 3/2009 Bandringa et al. D10/106.6
D597,430 S * 8/2009 Sloan et al. D10/106.6
D603,284 S * 11/2009 Sloan et al. D10/106.6

D657,275 S * 4/2012 Cowles et al. D10/70
D662,846 S * 7/2012 Ni et al. D10/106.6
D664,456 S * 7/2012 Trine et al. D10/70
D668,164 S * 10/2012 Cowles et al. D10/70
D692,332 S * 10/2013 Ni et al. D10/70
2007/0230142 A1 * 10/2007 Engel et al. 361/748

* cited by examiner

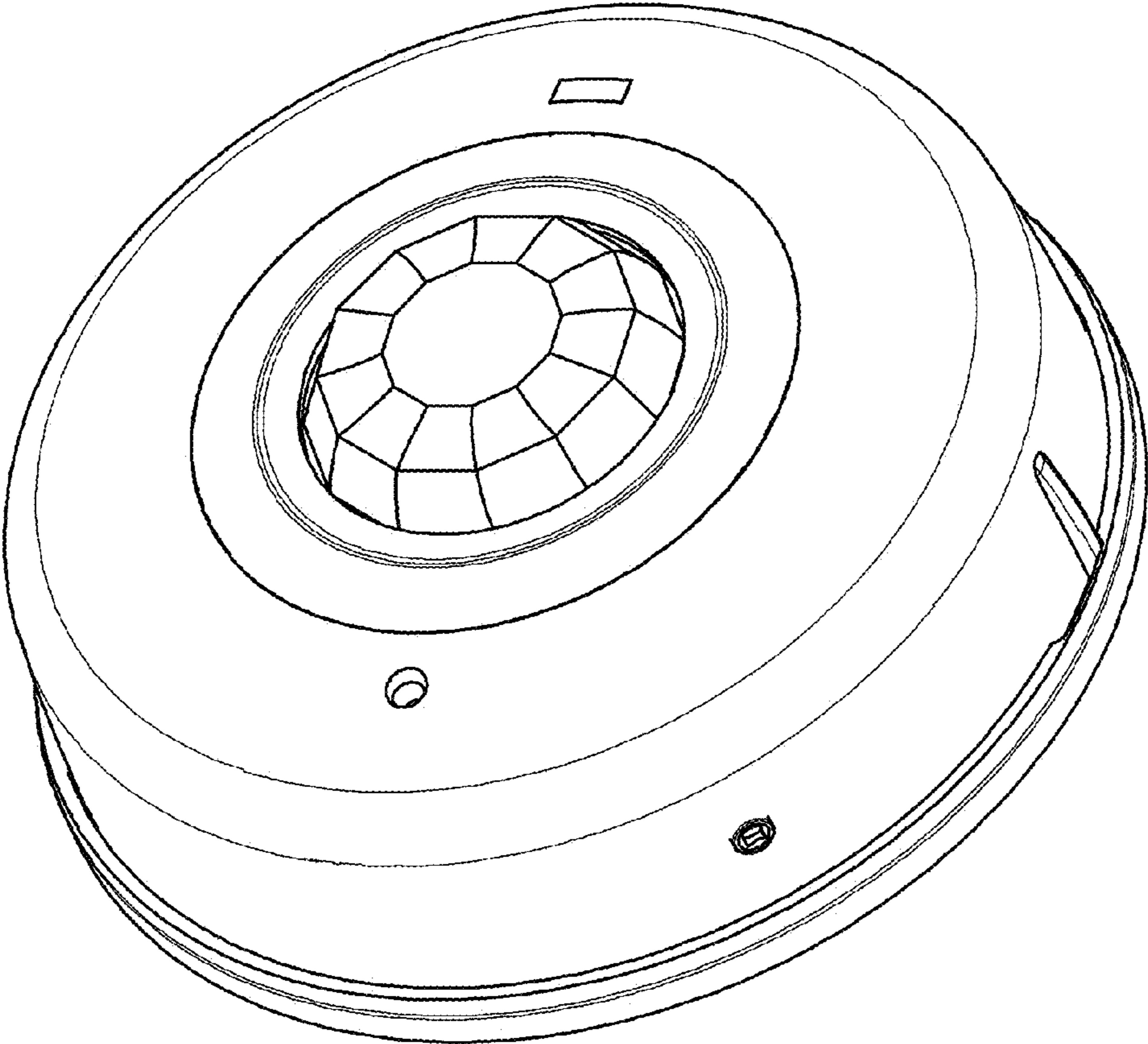


FIG. 1

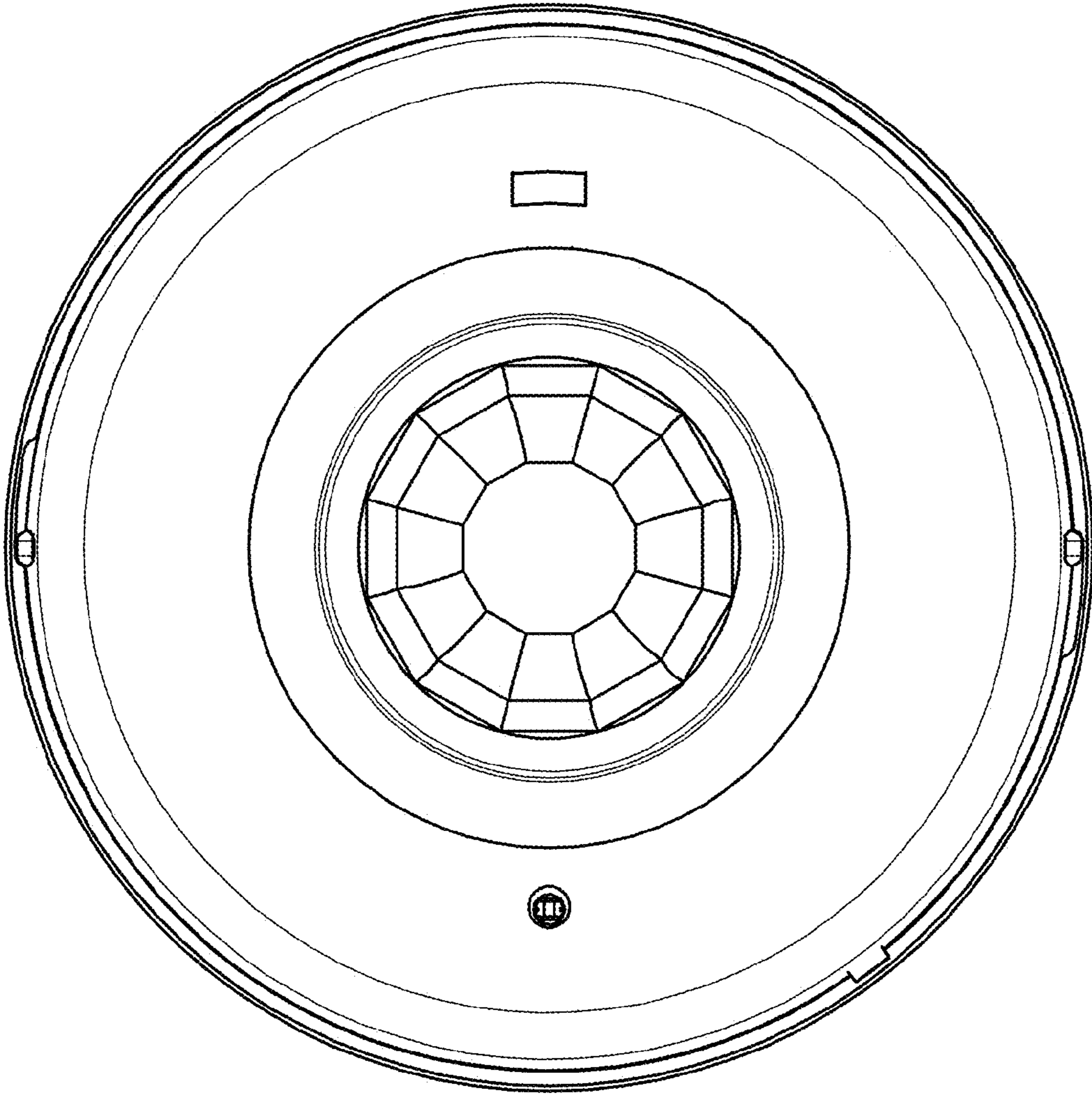


FIG. 2

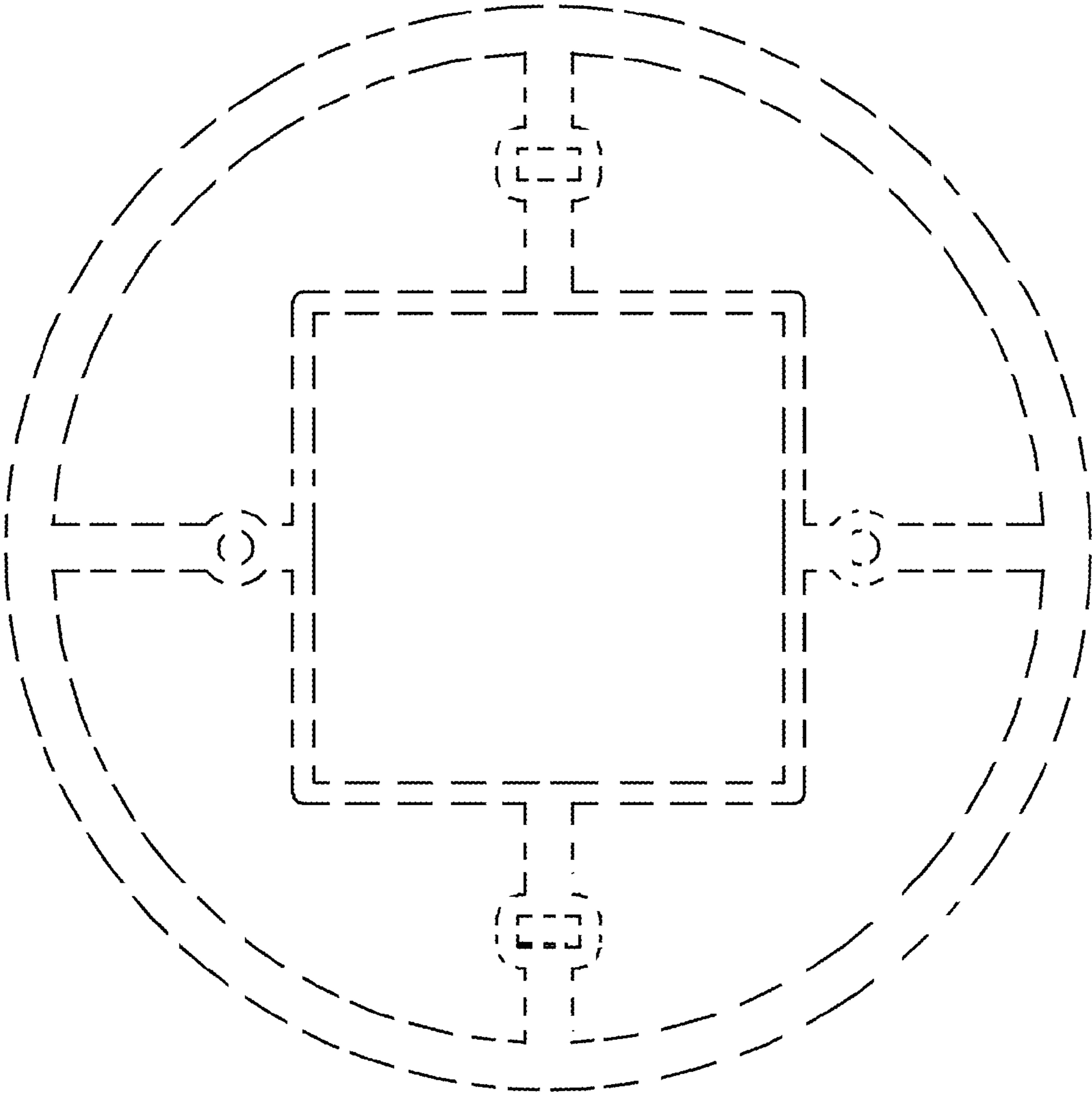


FIG. 3

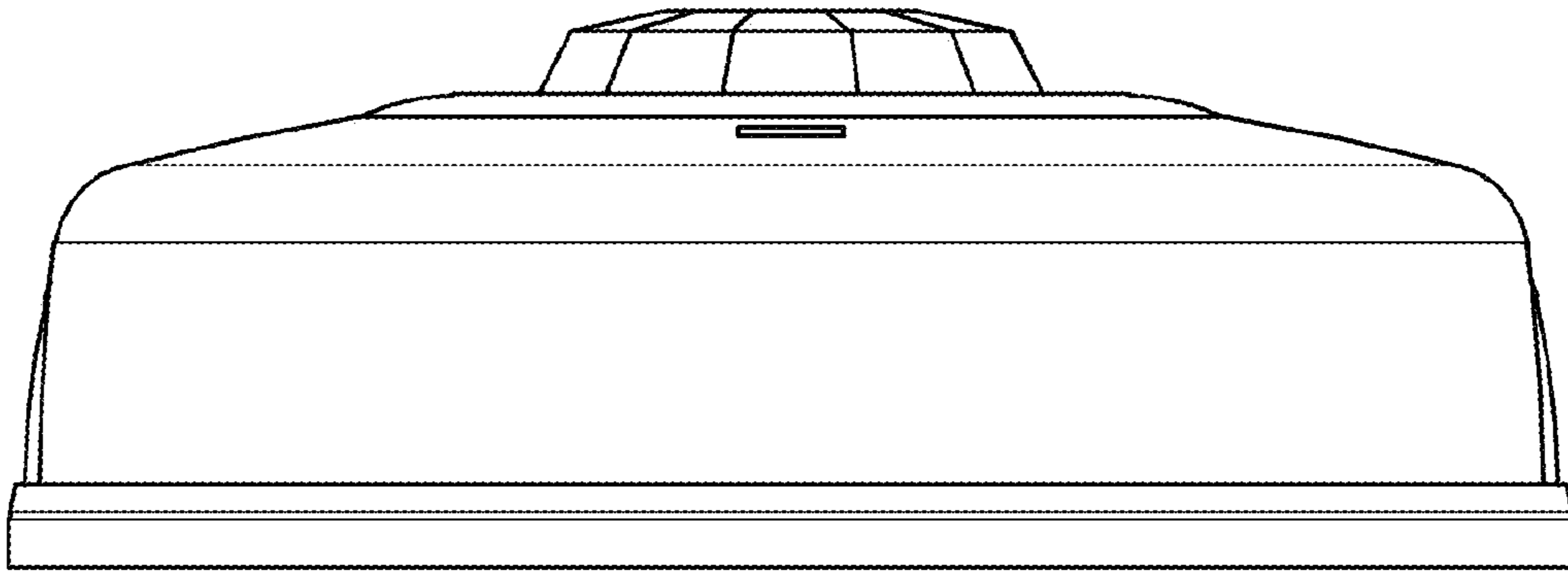


FIG. 4

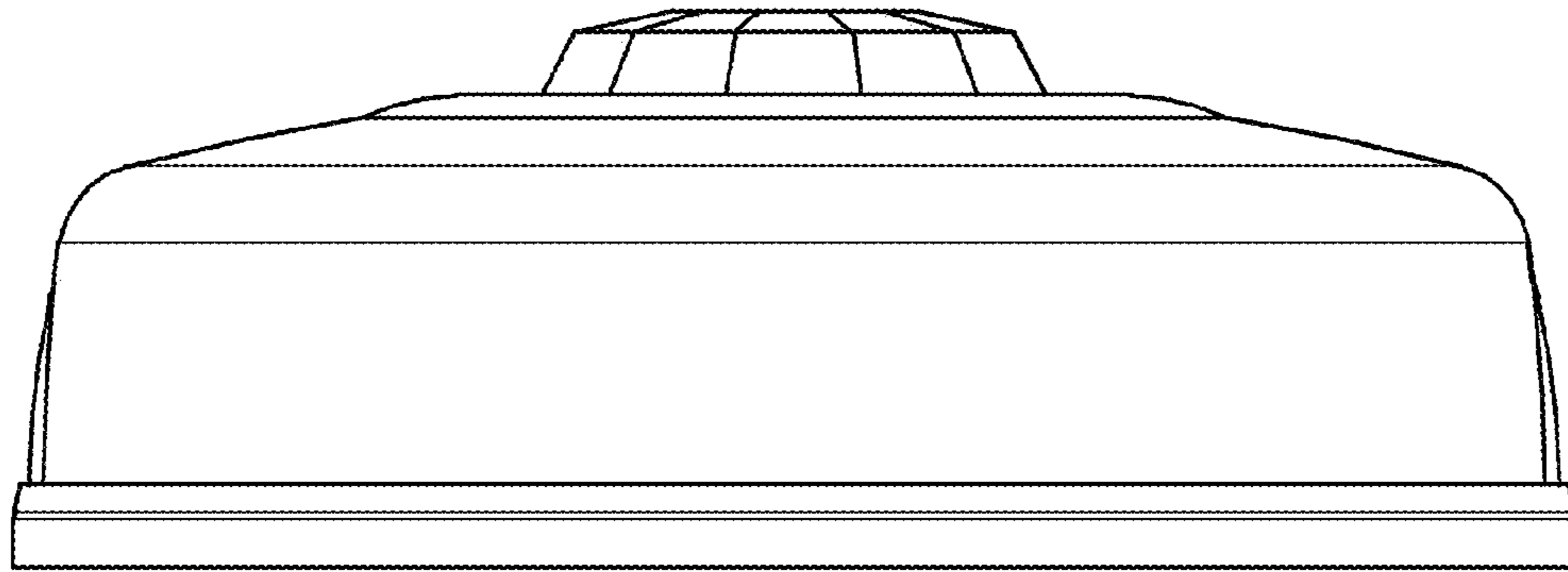


FIG. 5

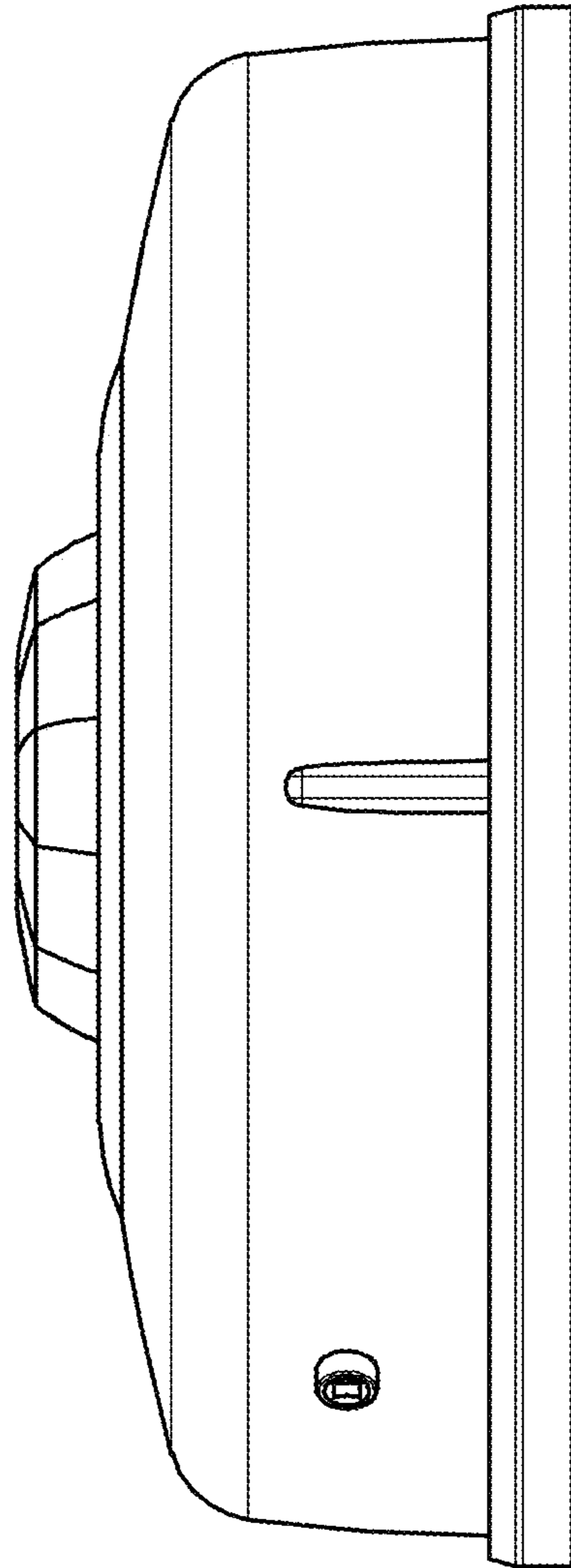


FIG. 6

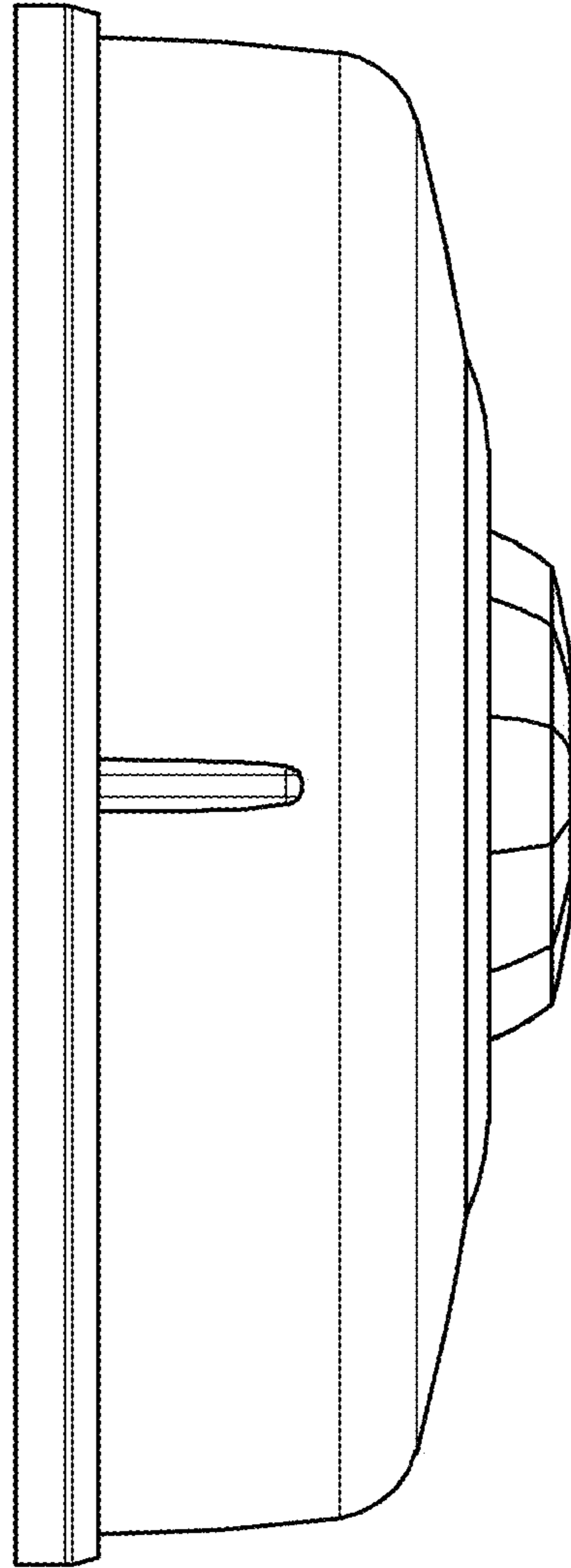


FIG. 7

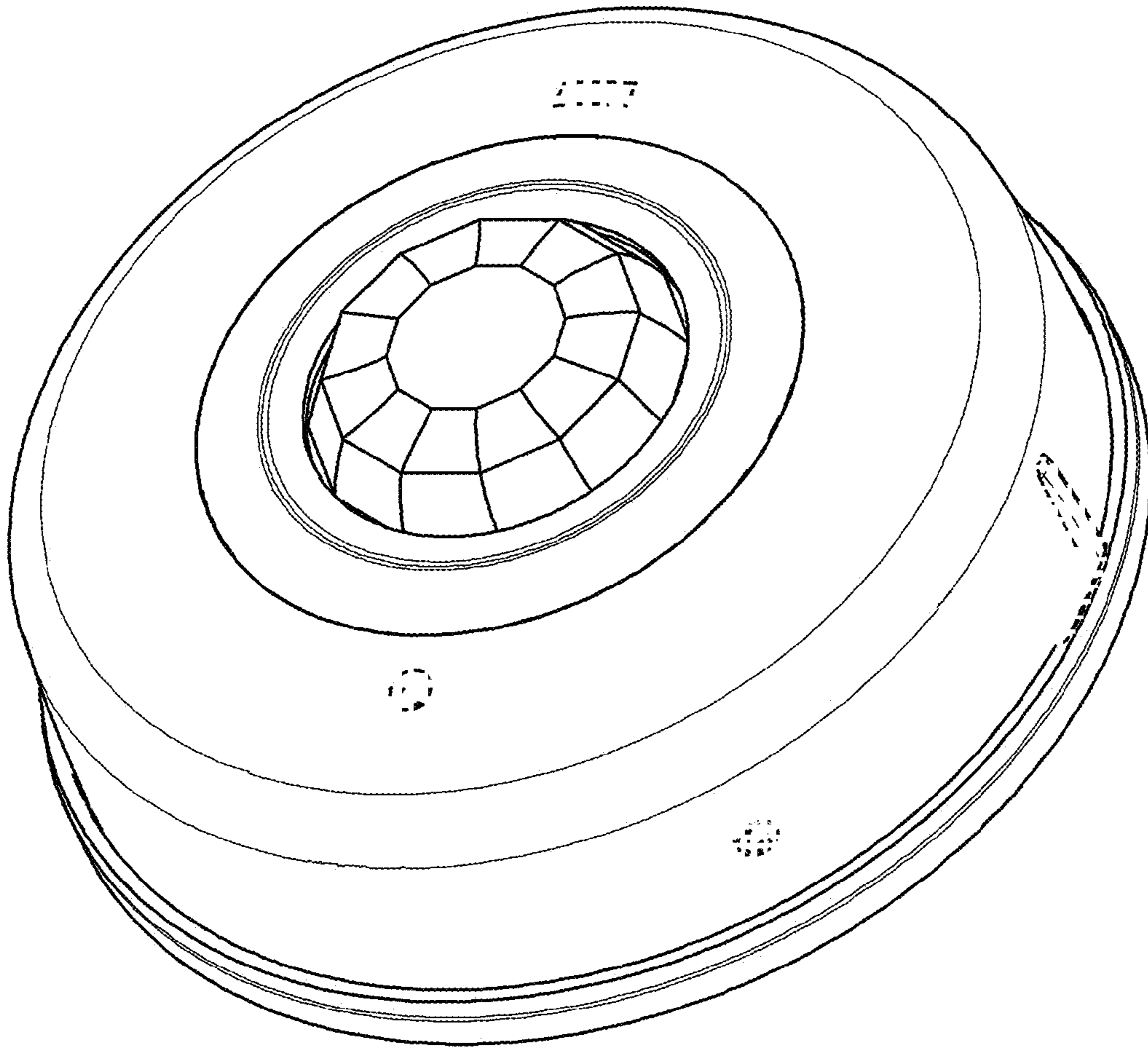


FIG. 8

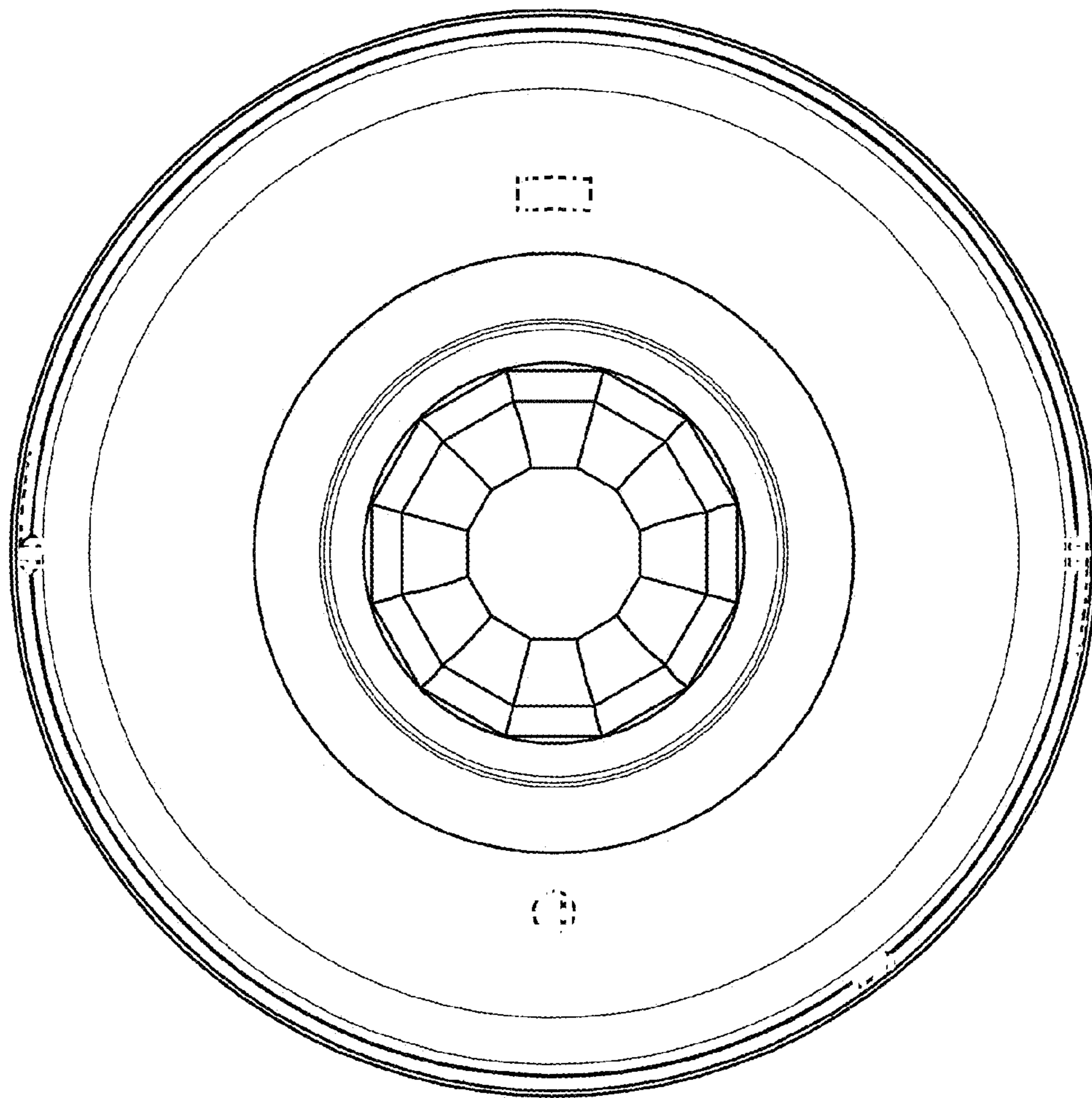


FIG. 9

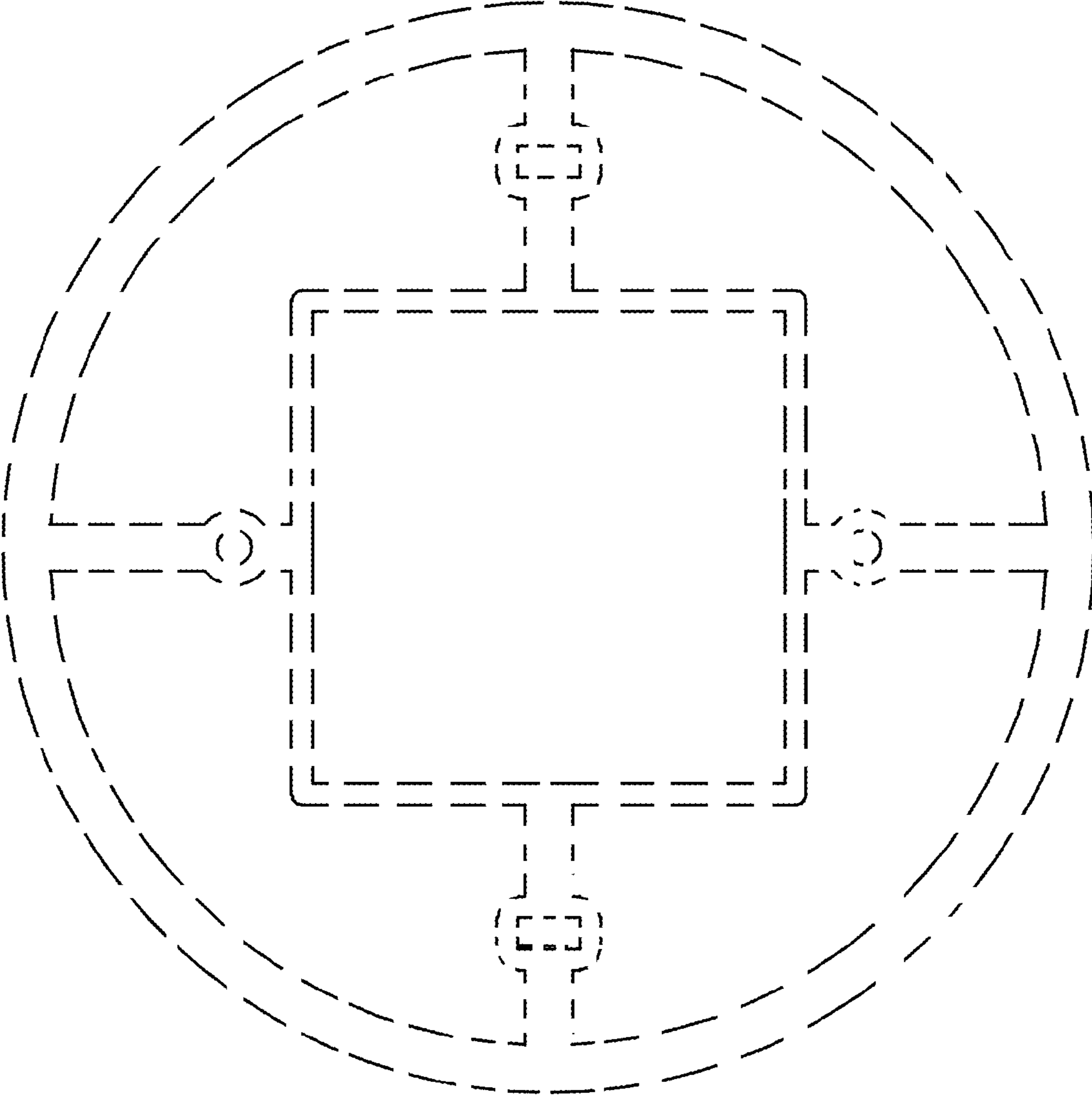


FIG. 10

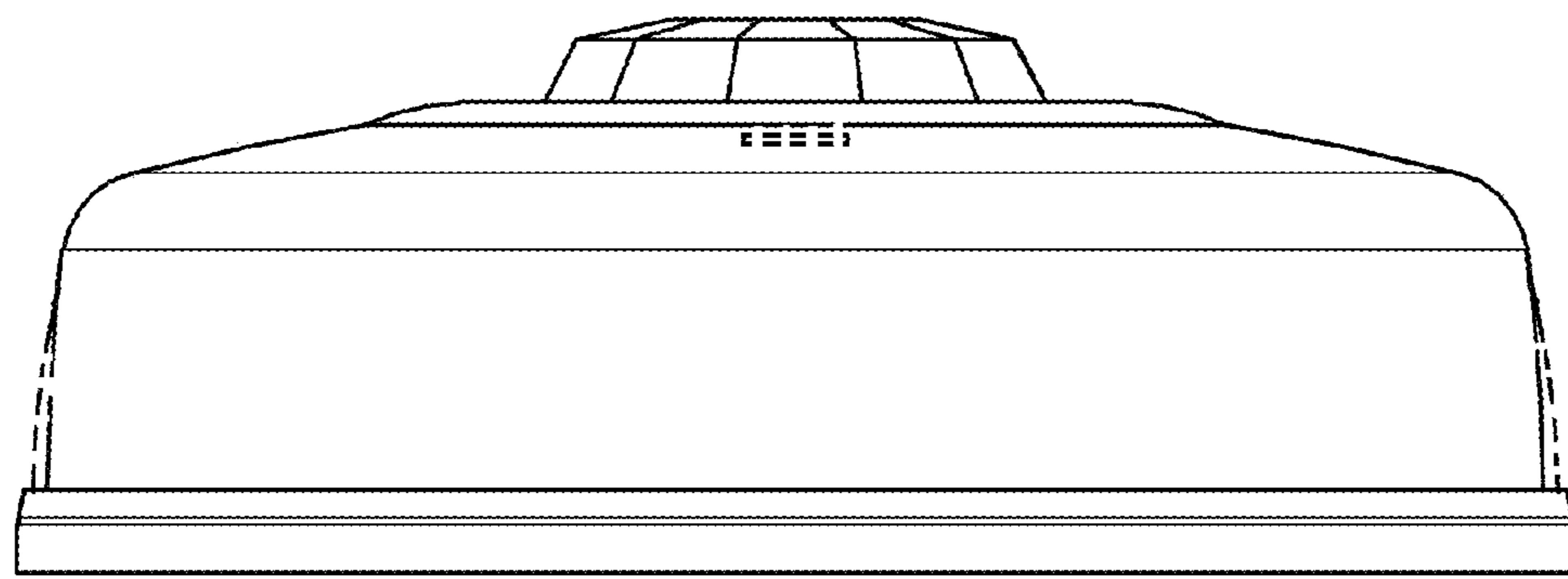


FIG. 11

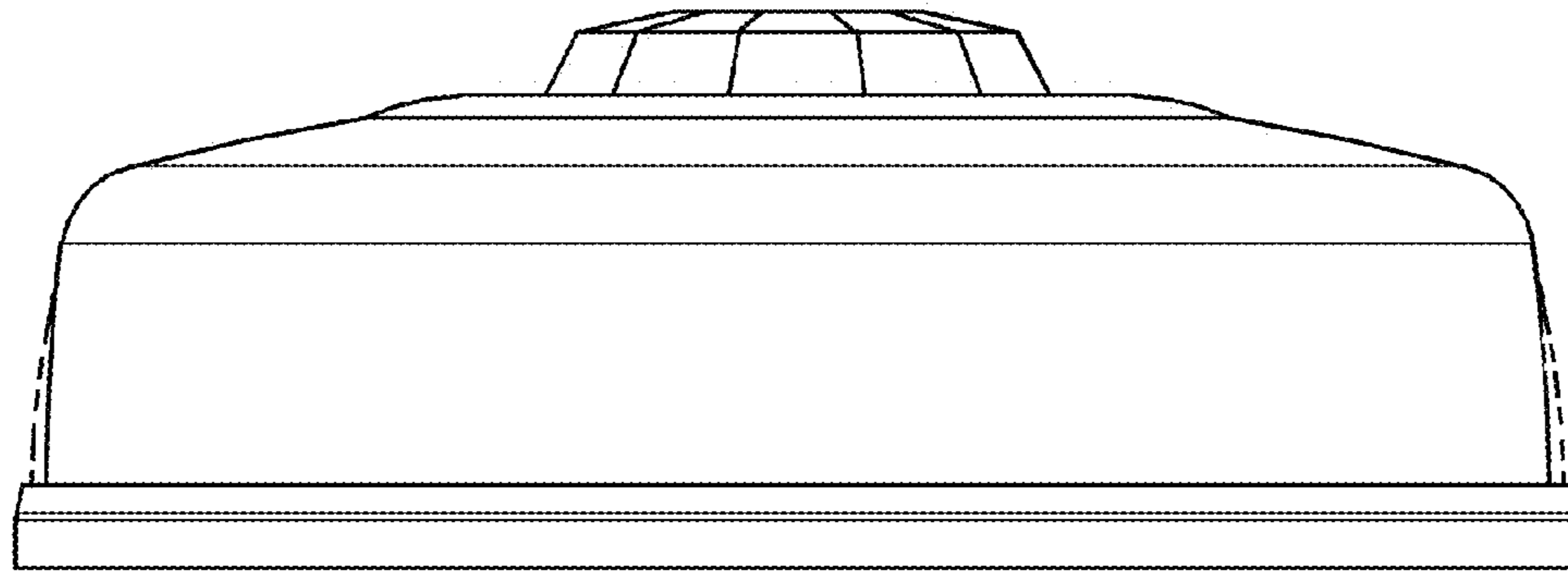


FIG. 12

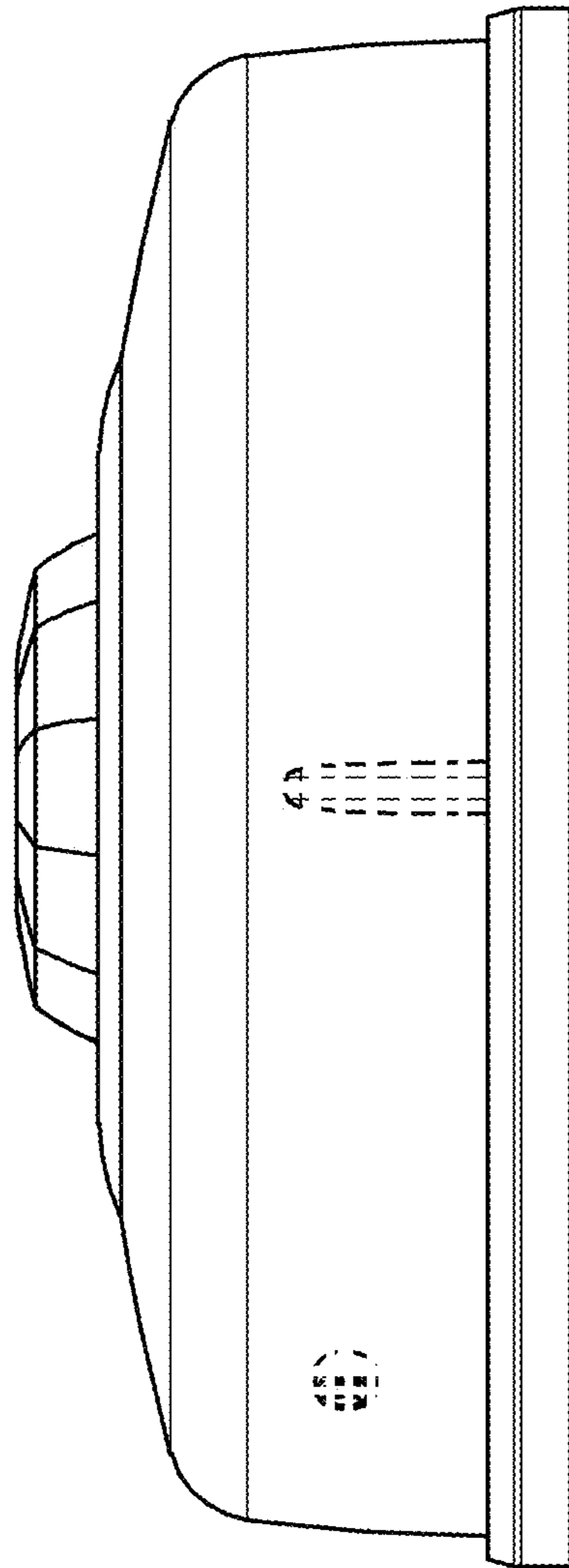


FIG. 13

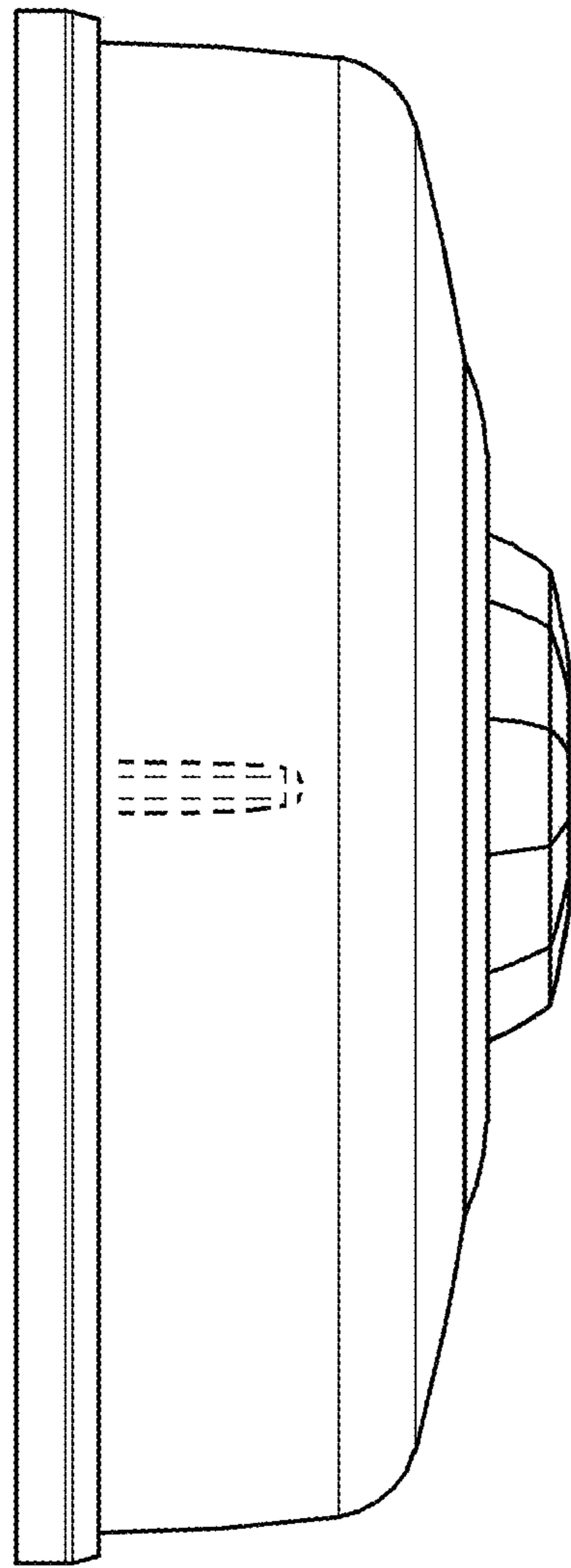


FIG. 14

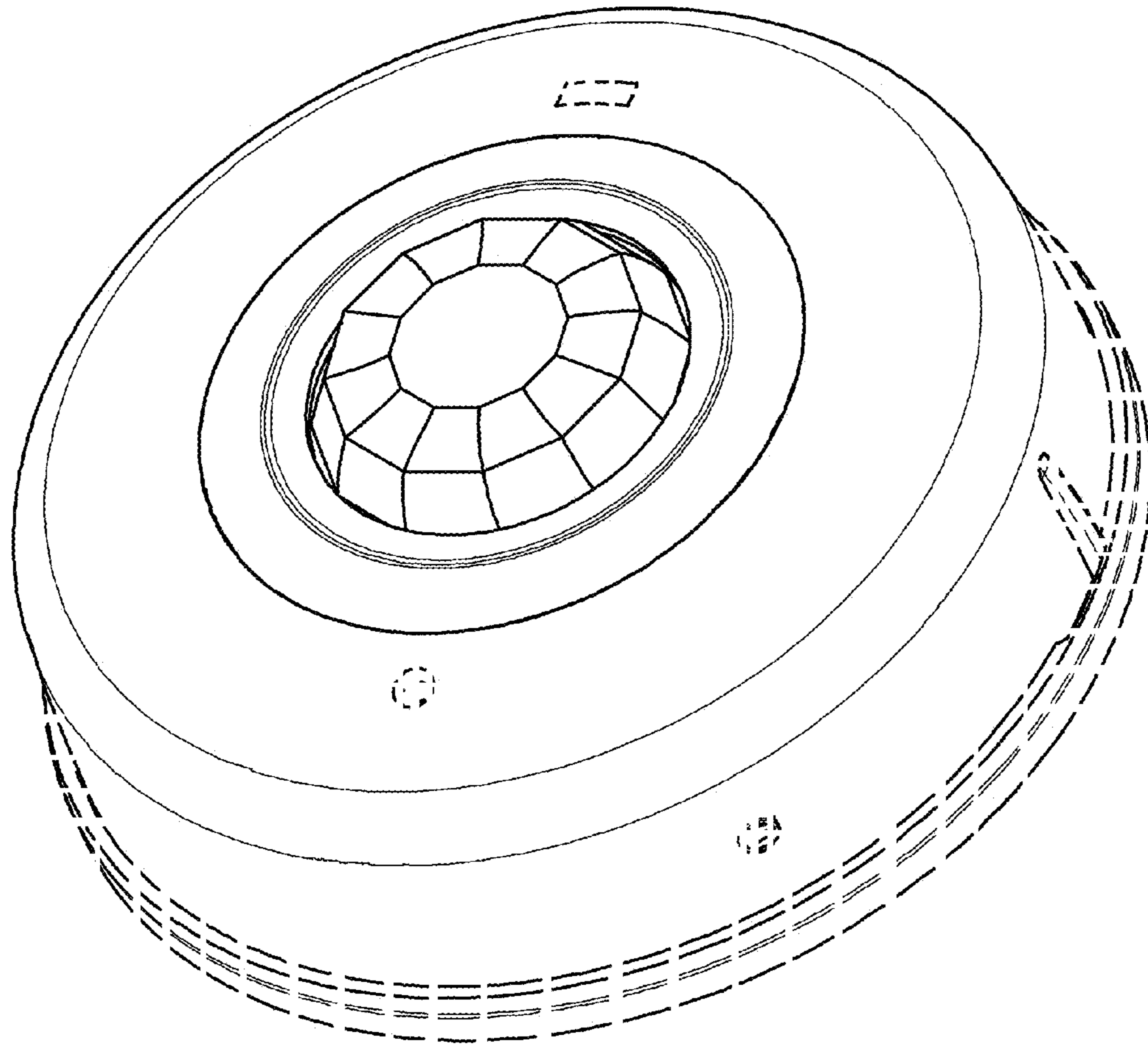


FIG. 15

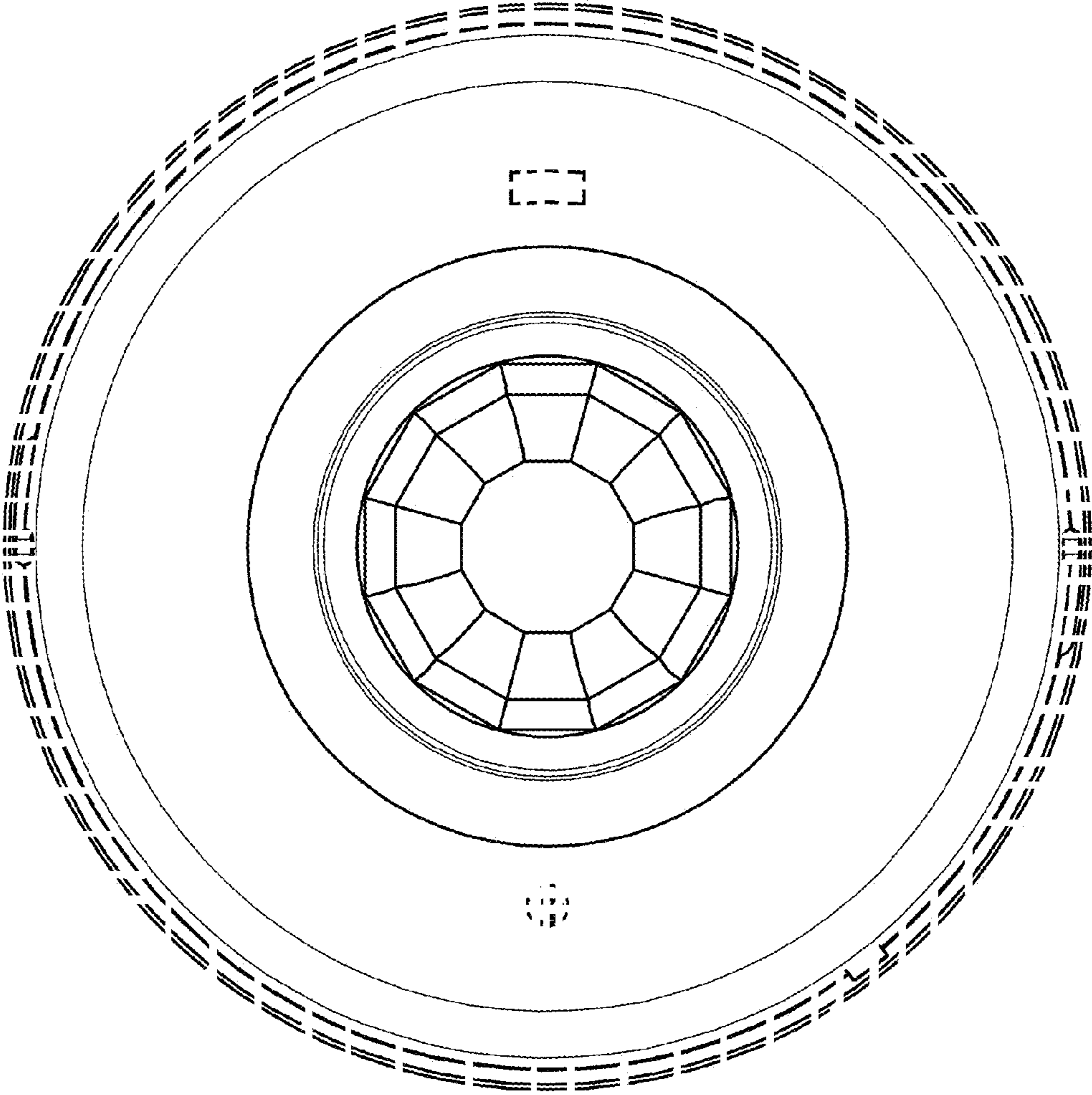


FIG. 16

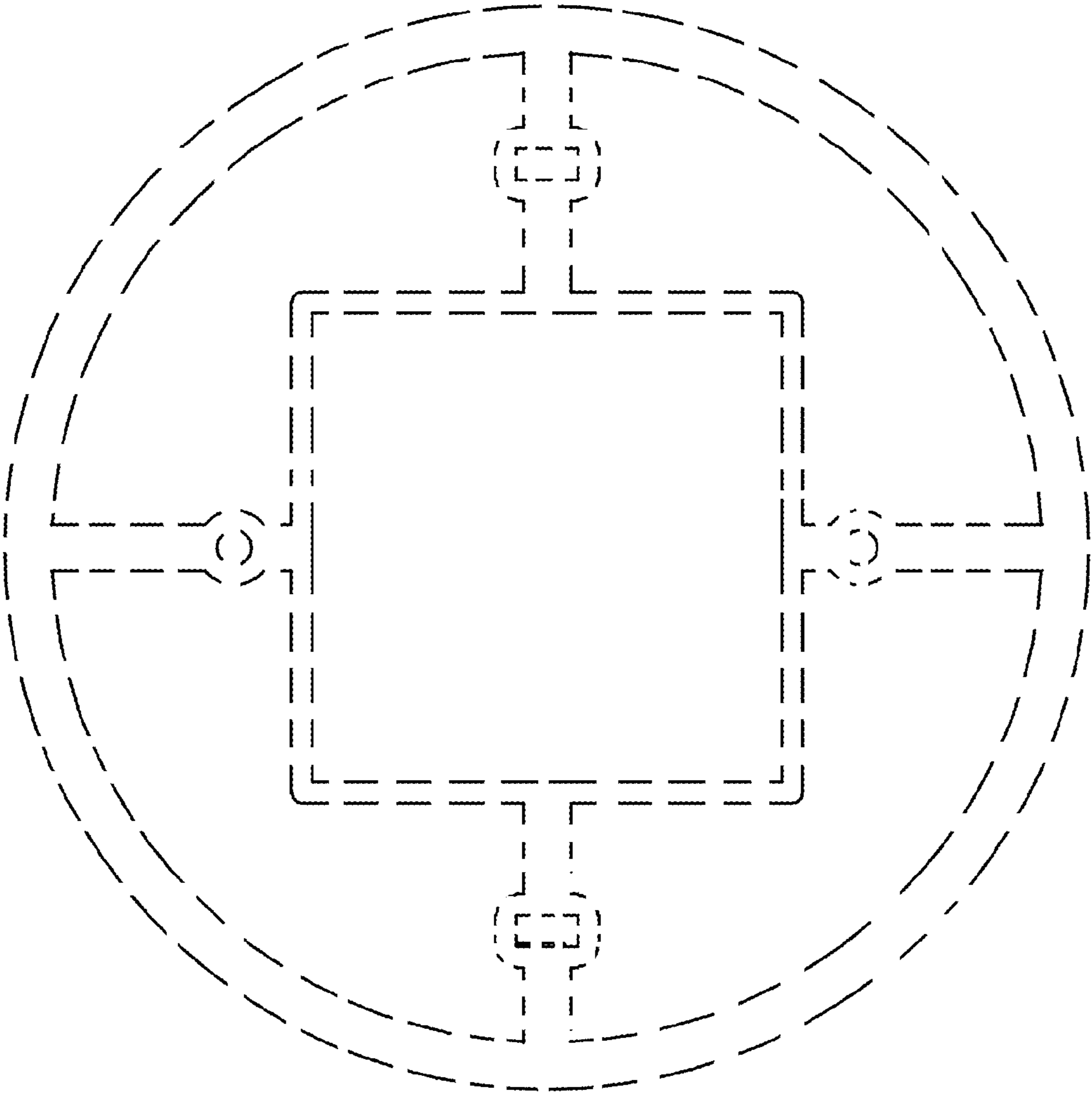


FIG. 17

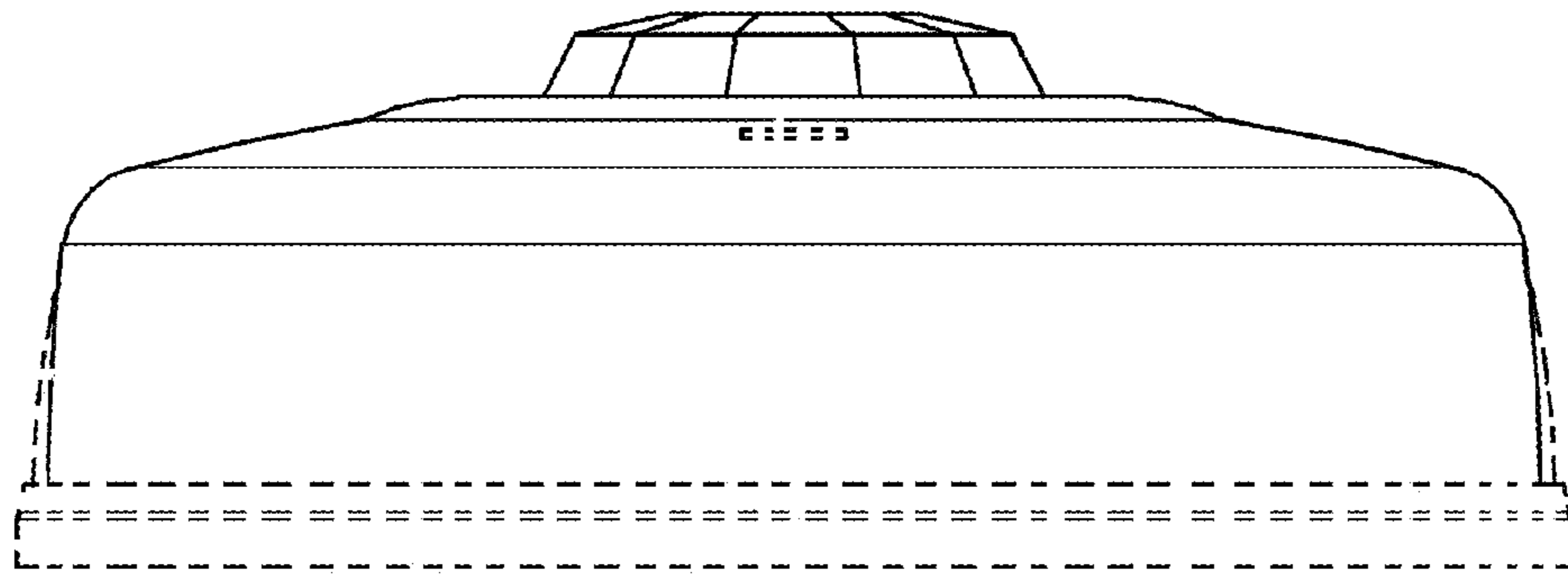


FIG. 18

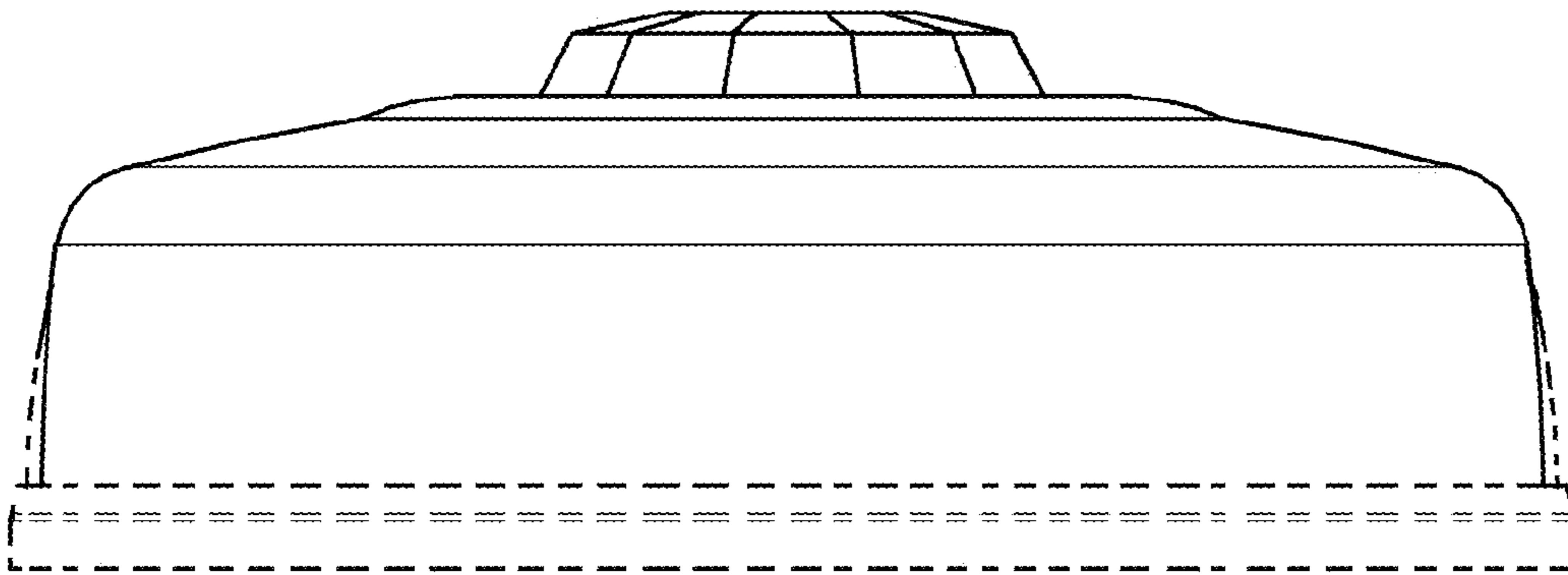


FIG. 19

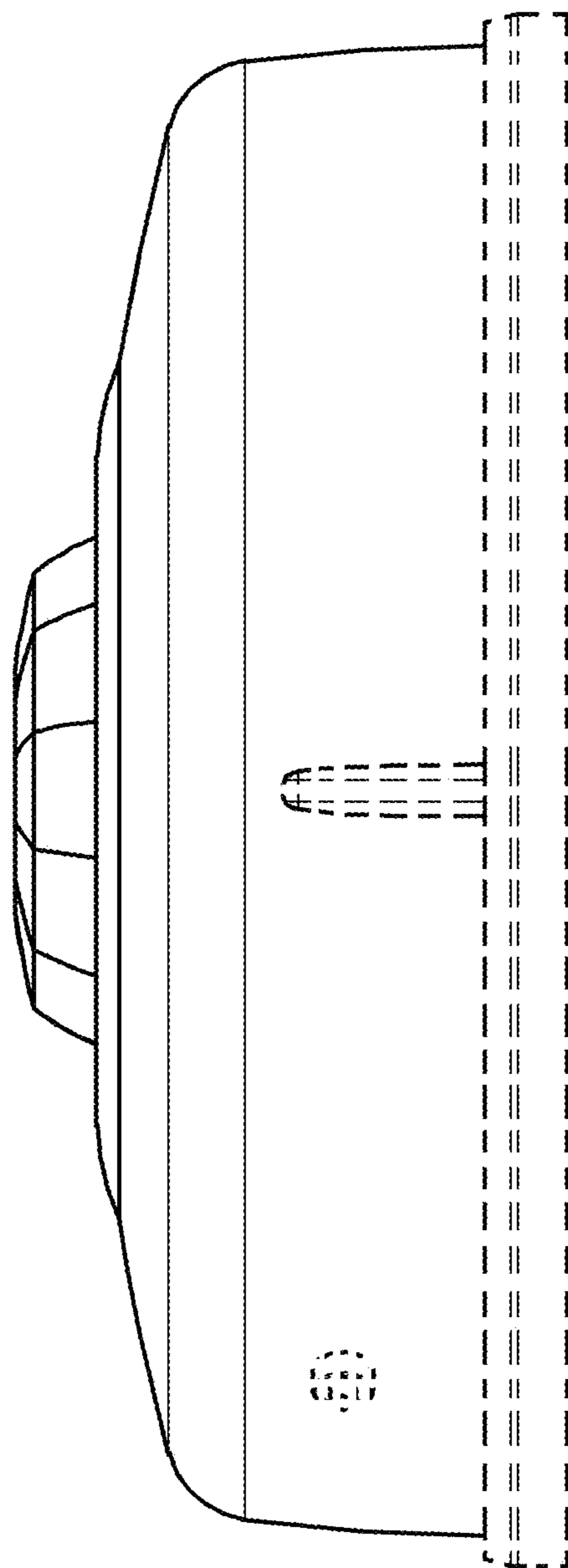


FIG. 20

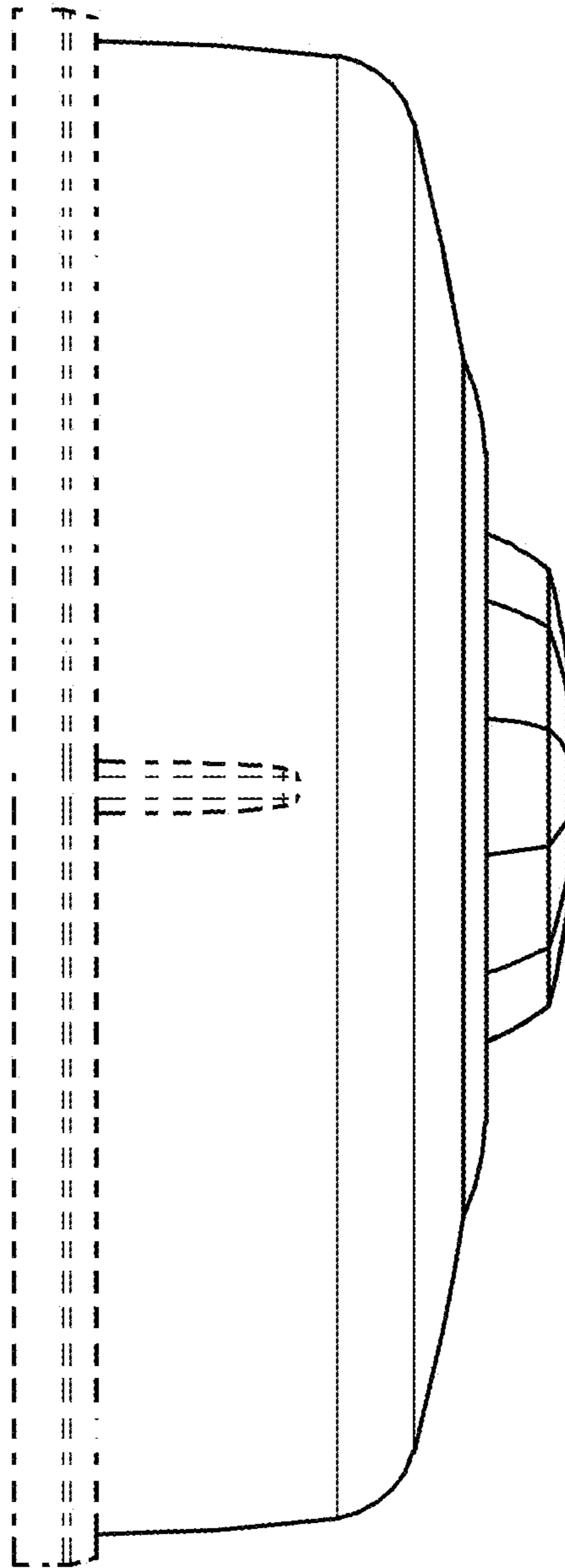


FIG. 21