



US00D706151S

(12) **United States Design Patent**  
**Wurts et al.**

(10) **Patent No.:** **US D706,151 S**  
(45) **Date of Patent:** **\*\* \*Jun. 3, 2014**

(54) **WIRELESS REFRIGERANT SCALE CONTROLLER**

(71) Applicant: **Fieldpiece Instruments, Inc.**, Anaheim, CA (US)

(72) Inventors: **Adolfo Jose Wurts**, Orange, CA (US);  
**Jason Corbett Gilley**, Hacienda Heights, CA (US)

(73) Assignee: **Fieldpiece Instruments, Inc.**, Anaheim, CA (US)

(\*) Notice: This patent is subject to a terminal disclaimer.

(\*\*) Term: **14 Years**

(21) Appl. No.: **29/461,085**

(22) Filed: **Jul. 18, 2013**

(51) **LOC (10) Cl.** ..... **10-04**

(52) **U.S. Cl.**  
USPC ..... **D10/94**

(58) **Field of Classification Search**  
USPC ..... D10/87, 88, 91-94; 177/2-13, 15-24,  
177/25.11-29, 177, 201-215, 225-237,  
177/238-243, DIG. 3, 178-182; 62/126,  
62/127, 149, 238.6, 282, 292; D13/168;  
D14/218

See application file for complete search history.

(56) **References Cited**

U.S. PATENT DOCUMENTS

D577,713 S \* 9/2008 Kim et al. .... D14/218  
D578,917 S \* 10/2008 Otsuka et al. .... D10/94  
D582,308 S \* 12/2008 Kajita ..... D10/94  
7,710,714 B2 \* 5/2010 Rapp et al. .... 177/25.12  
7,979,116 B2 \* 7/2011 Tseng et al. .... 177/25.11

\* cited by examiner

*Primary Examiner* — Antoine D Davis

(74) *Attorney, Agent, or Firm* — Lynn & Lynn; John H. Lynn

(57) **CLAIM**

The ornamental design for a wireless refrigerant scale controller, as shown and described.

**DESCRIPTION**

FIG. 1 is a front elevation view of our new design.  
FIG. 2 is a left side view thereof;  
FIG. 3 is a top plan view thereof;  
FIG. 4 is a bottom plan view thereof;  
FIG. 5 is a back side elevation view thereof; and,  
FIG. 6 is a perspective view showing the top, front and right sides thereof.  
The right and left side elevations are identical.

**1 Claim, 2 Drawing Sheets**

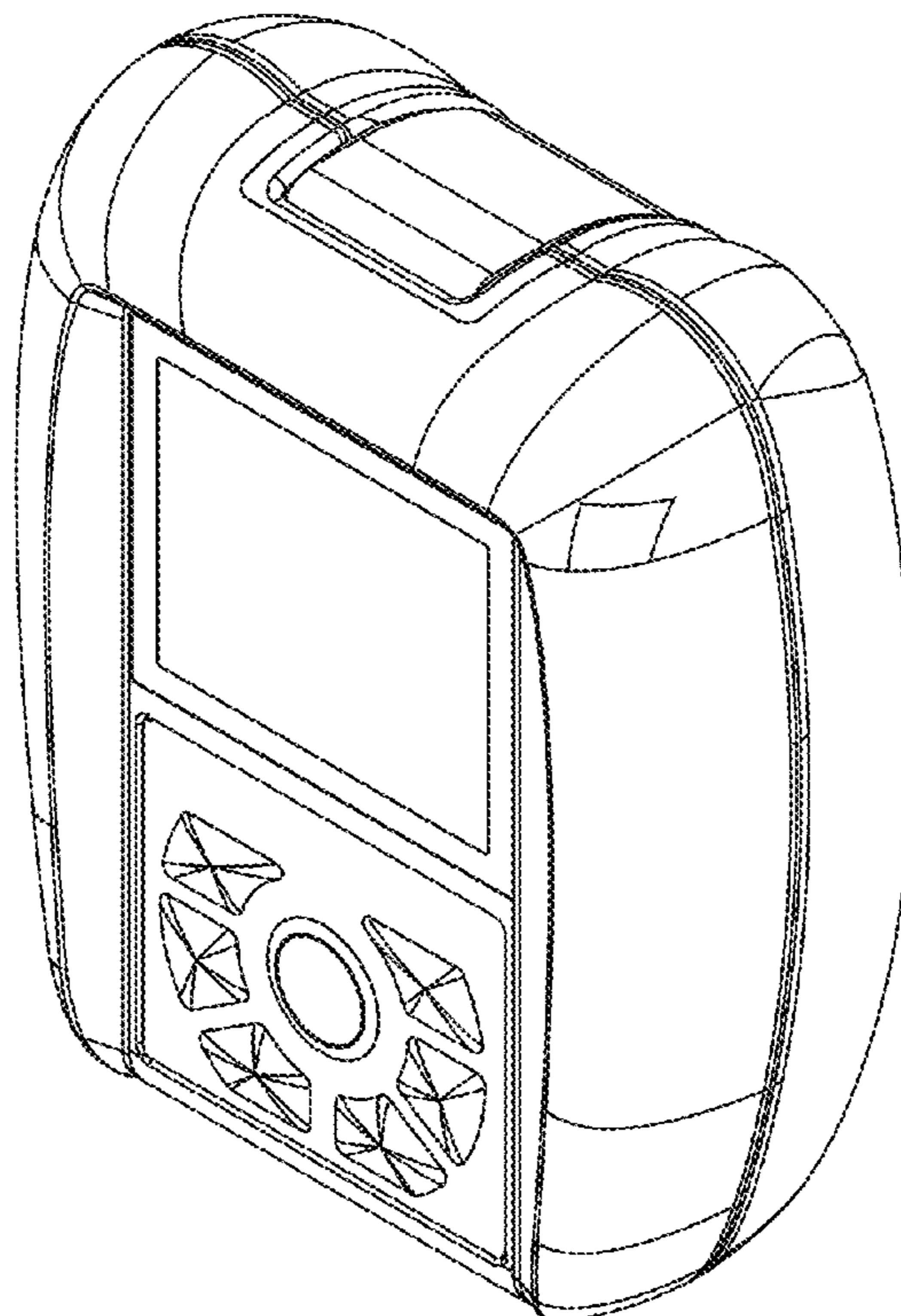


FIG. 3

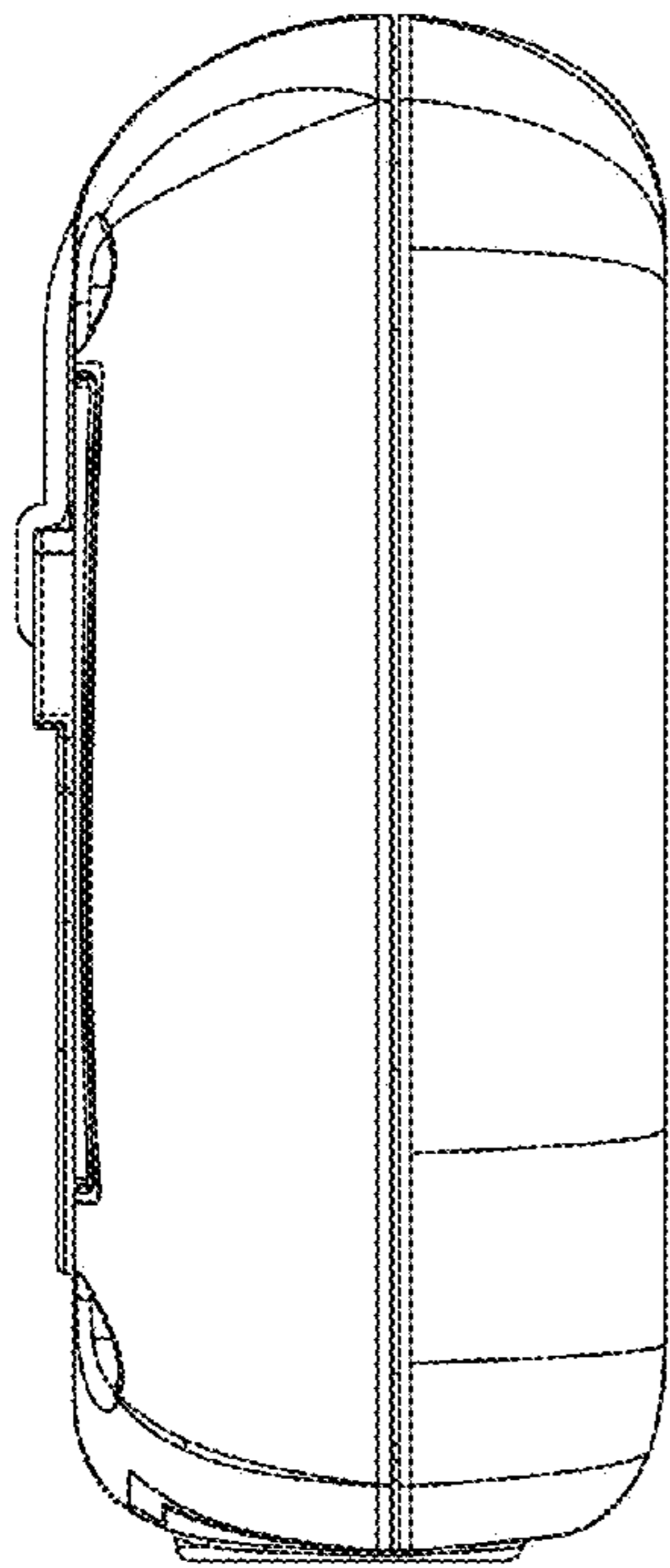
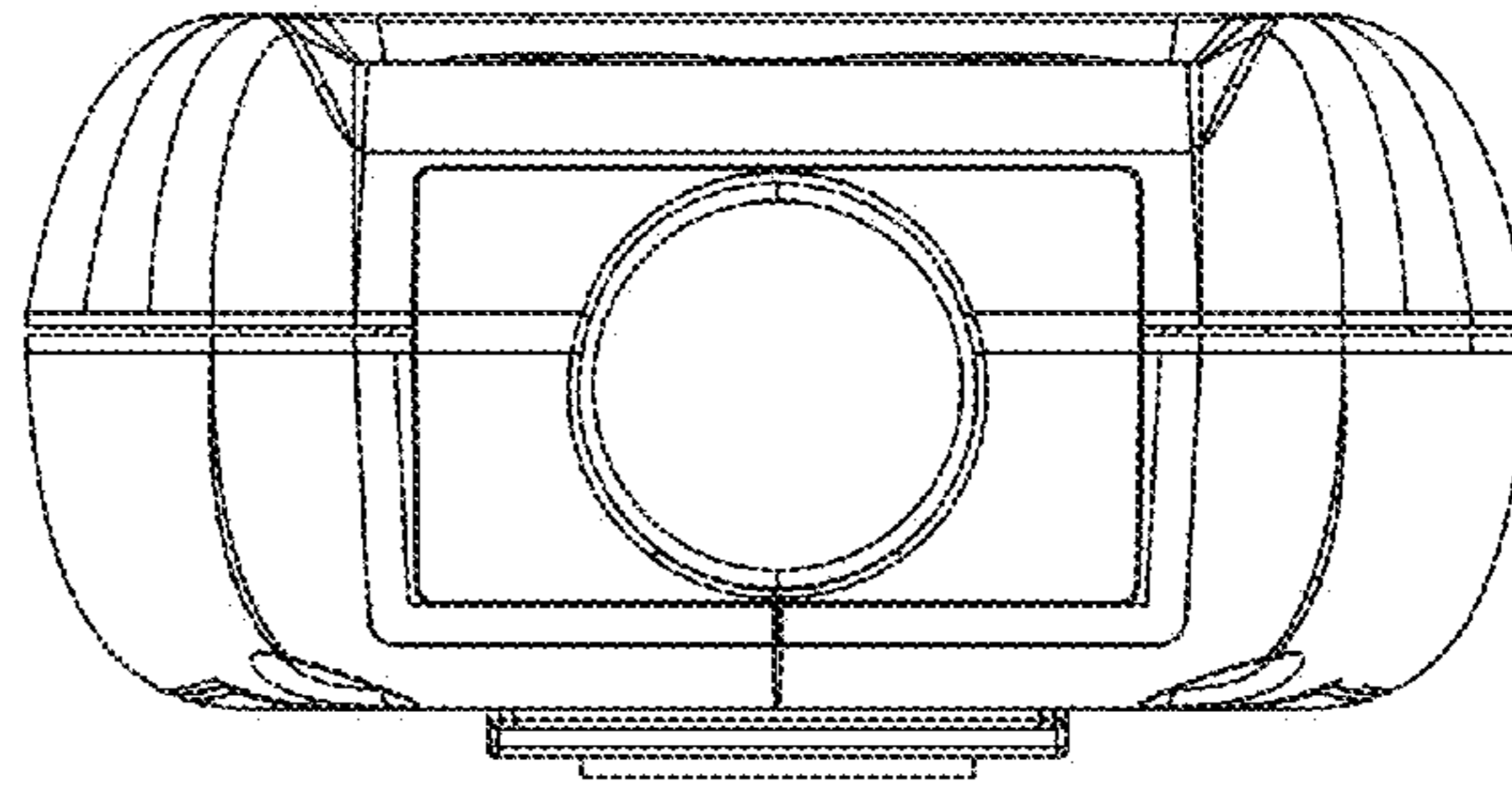


FIG. 2

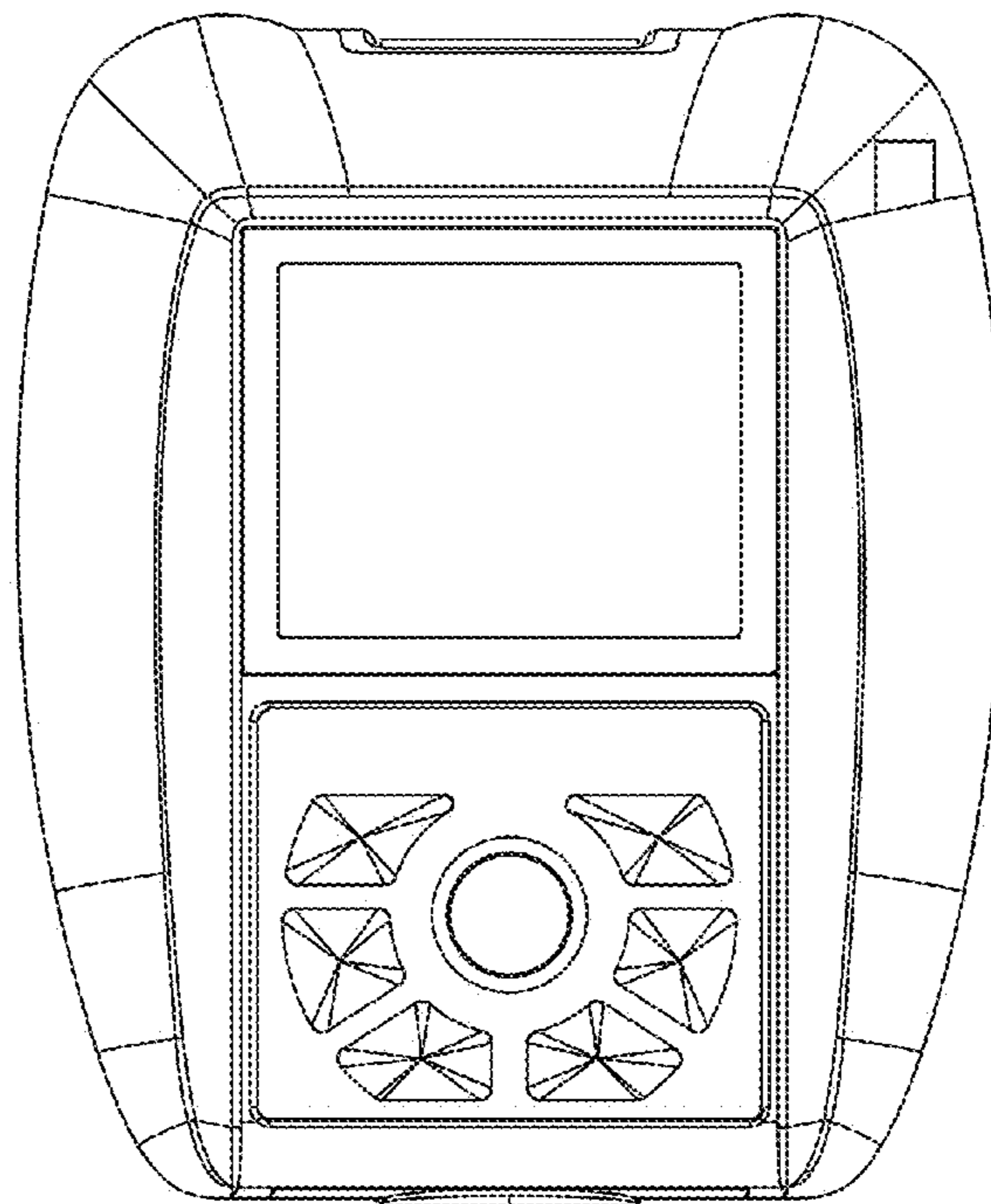


FIG. 1

FIG. 4

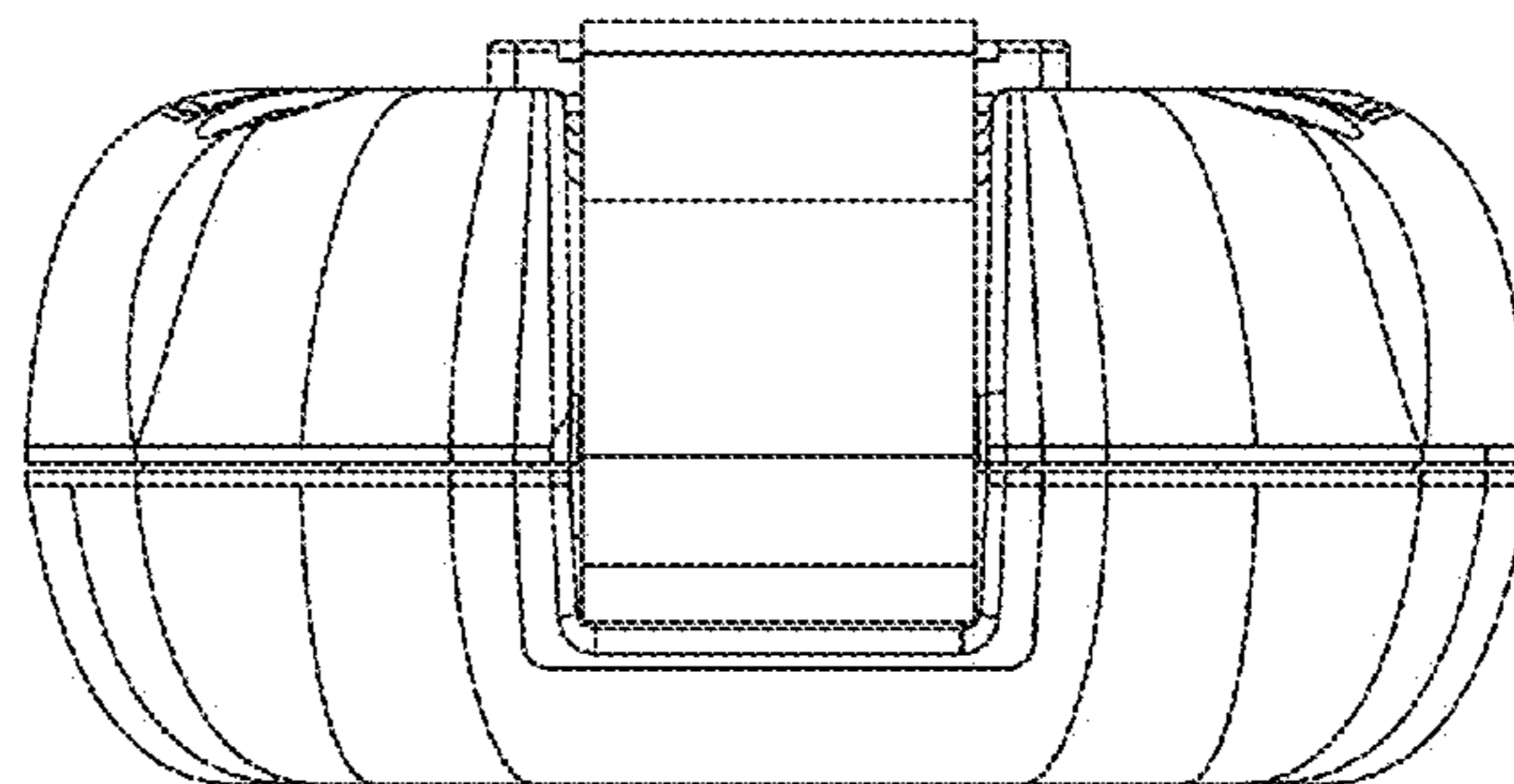


FIG. 5

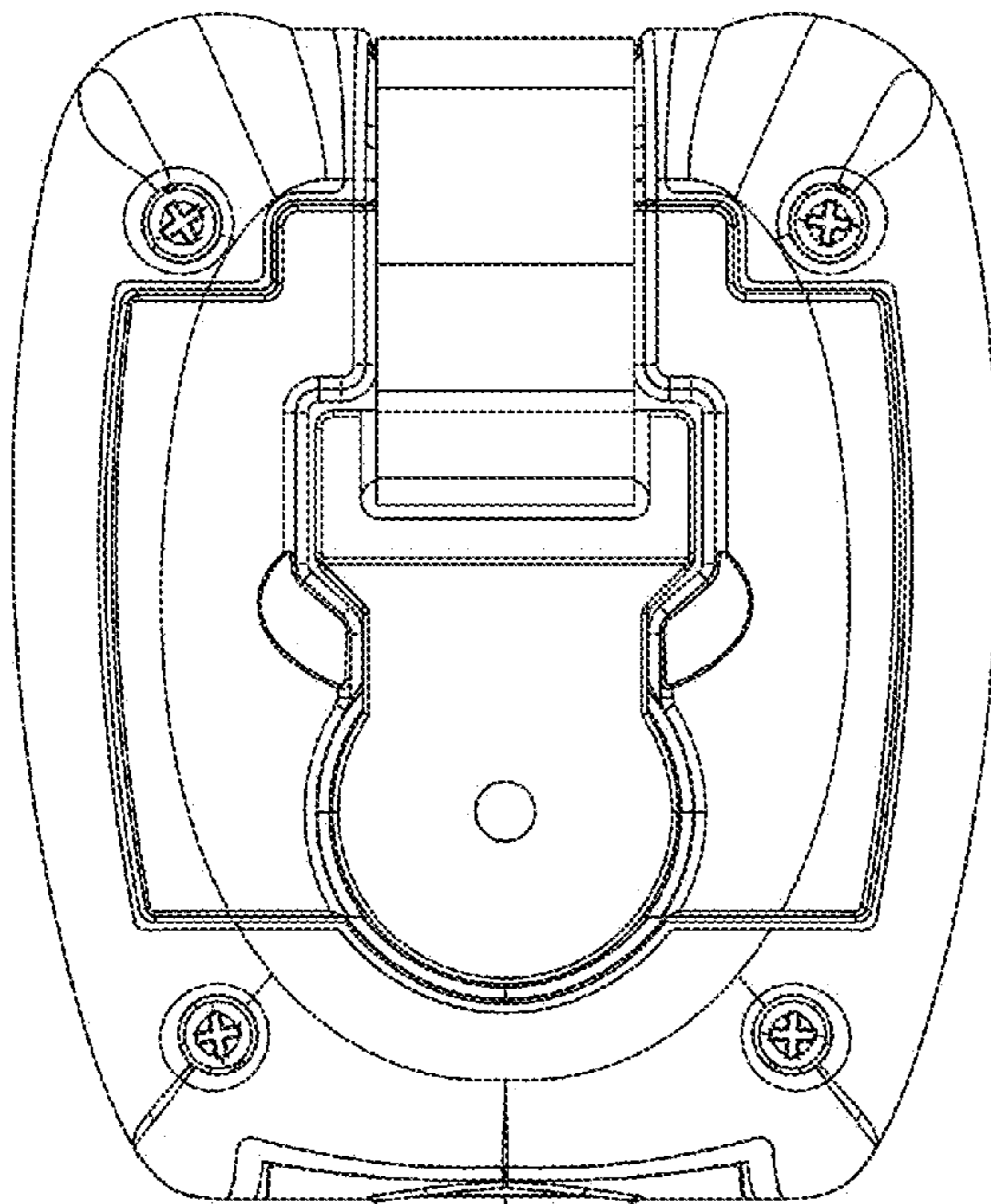
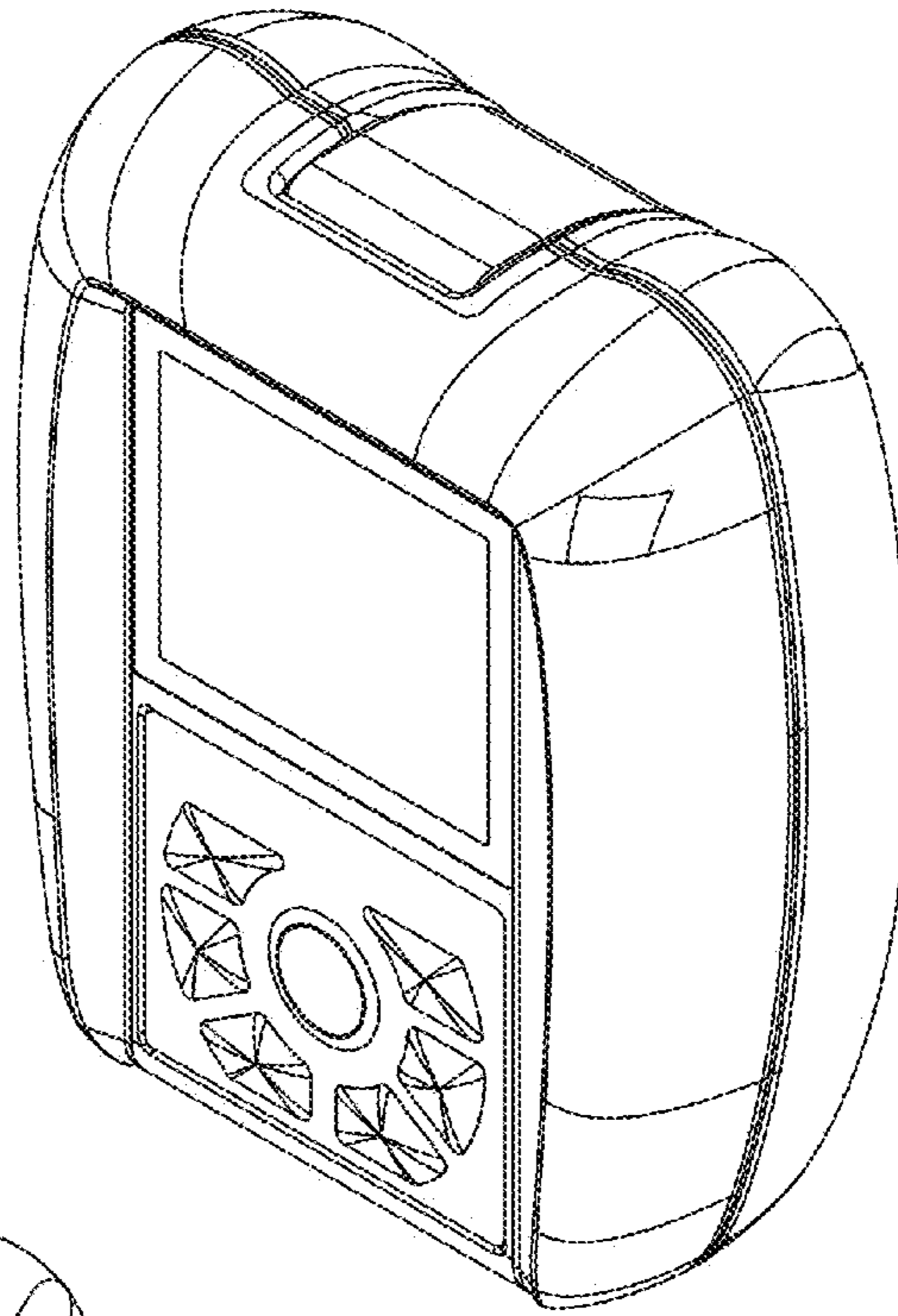


FIG. 6