



US00D706147S

(12) **United States Design Patent**
Wingate et al.

(10) **Patent No.:** **US D706,147 S**
(45) **Date of Patent:** **** Jun. 3, 2014**

(54) **SURFACE TOOL OR SIMILAR ARTICLE**

(71) Applicants: **Barry Wingate**, San Jose, CA (US);
Chien Hsu Chen, Millbrae, CA (US)

(72) Inventors: **Barry Wingate**, San Jose, CA (US);
Chien Hsu Chen, Millbrae, CA (US)

(73) Assignee: **Zircon Corporation**, Campbell, CA
(US)

(**) Term: **14 Years**

(21) Appl. No.: **29/446,137**

(22) Filed: **Feb. 20, 2013**

(51) **LOC (10) Cl.** **10-04**

(52) **U.S. Cl.**

USPC **D10/65; D10/62; D10/70**

(58) **Field of Classification Search**

USPC D10/62, 65, 70, 78; 33/227, 286, 290,
33/760; 324/67, 133, 156, 658, 662, 679,
324/529, 556; 340/540, 539.1; 362/184,
362/205, 208, 253

See application file for complete search history.

(56) **References Cited**

U.S. PATENT DOCUMENTS

6,249,113 B1 * 6/2001 Krantz et al. 324/67
6,259,241 B1 * 7/2001 Krantz 324/67

7,495,455 B2 * 2/2009 Sanoner et al. 324/662
7,504,817 B2 * 3/2009 Sanoner et al. 324/67
2008/0186010 A1 * 8/2008 Skultety-Betz et al. 324/67
2011/0169477 A1 * 7/2011 Radle et al. 324/67

* cited by examiner

Primary Examiner — Antoine D Davis

(74) *Attorney, Agent, or Firm* — Omair M. Farooqui

(57) **CLAIM**

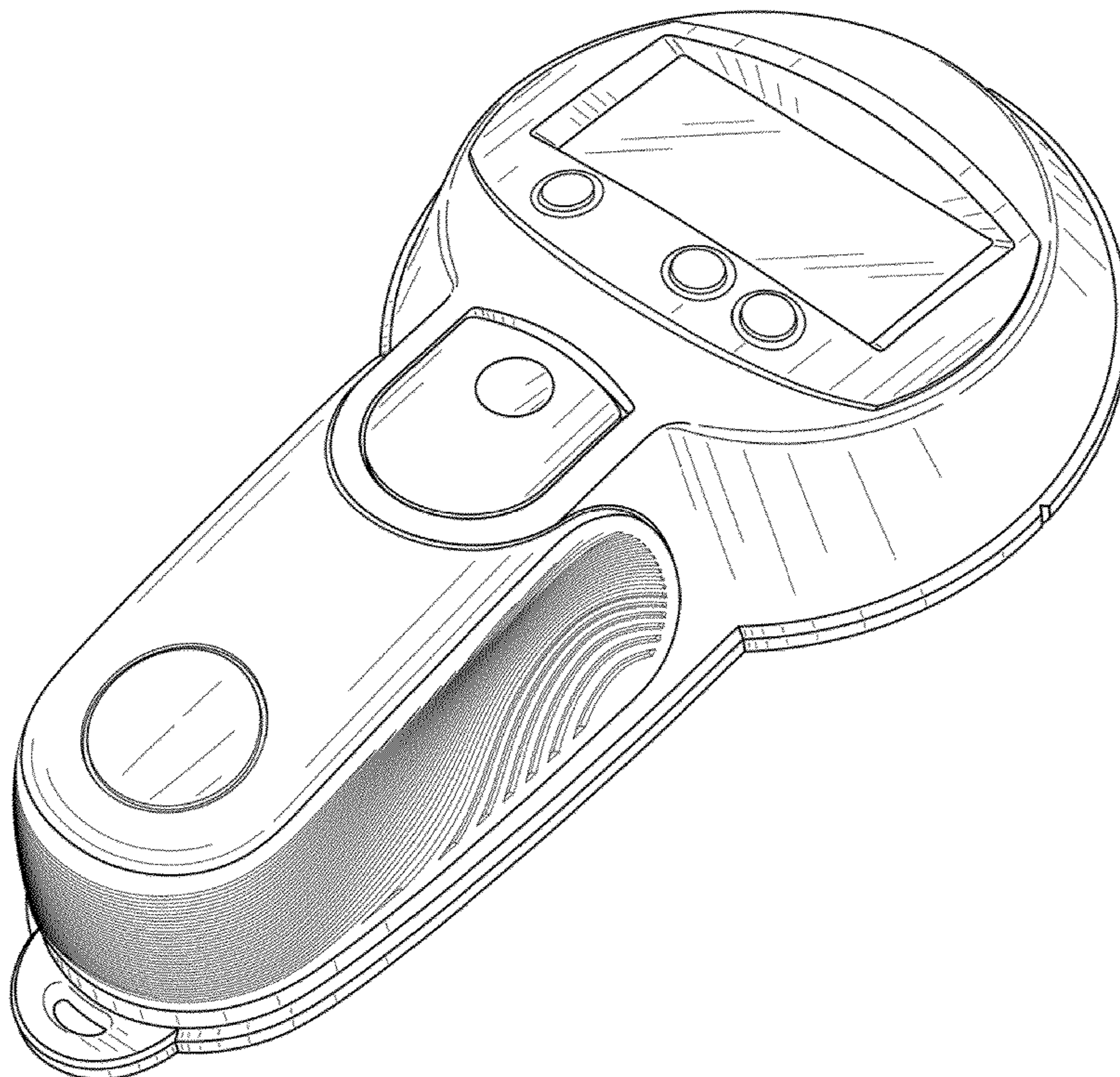
The ornamental design for a surface tool or similar article, as shown and described.

DESCRIPTION

FIG. 1 is a perspective view of a surface tool or similar article according to a preferred embodiment of the present invention; FIG. 2 is a top plan view thereof; FIG. 3 is a bottom plan view thereof; FIG. 4 is a right side plan view thereof; FIG. 5 is a left side plan view thereof; FIG. 6 is a front elevational view thereof; and, FIG. 7 is a rear elevational view thereof.

This design is not limited, to the exact details shown in the drawings, since equivalents and colorable imitations thereof will be evident to a person of ordinary skill in the art. Thus, within the scope of the appended claim, which is intended to cover only the ornamental and novel elements shown in the drawings, the invention may be practiced otherwise than as specifically shown and described herein.

1 Claim, 5 Drawing Sheets



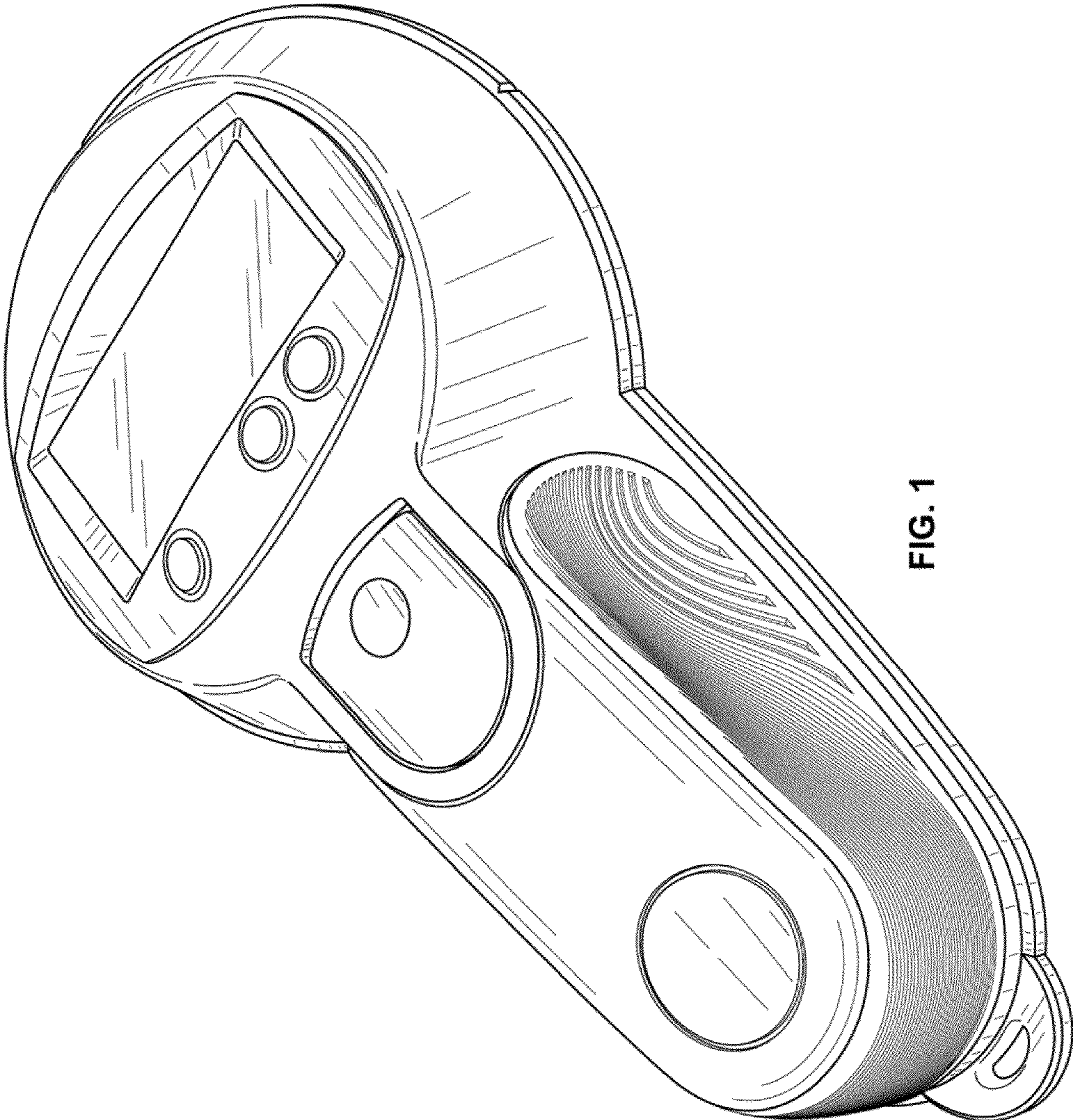


FIG. 1

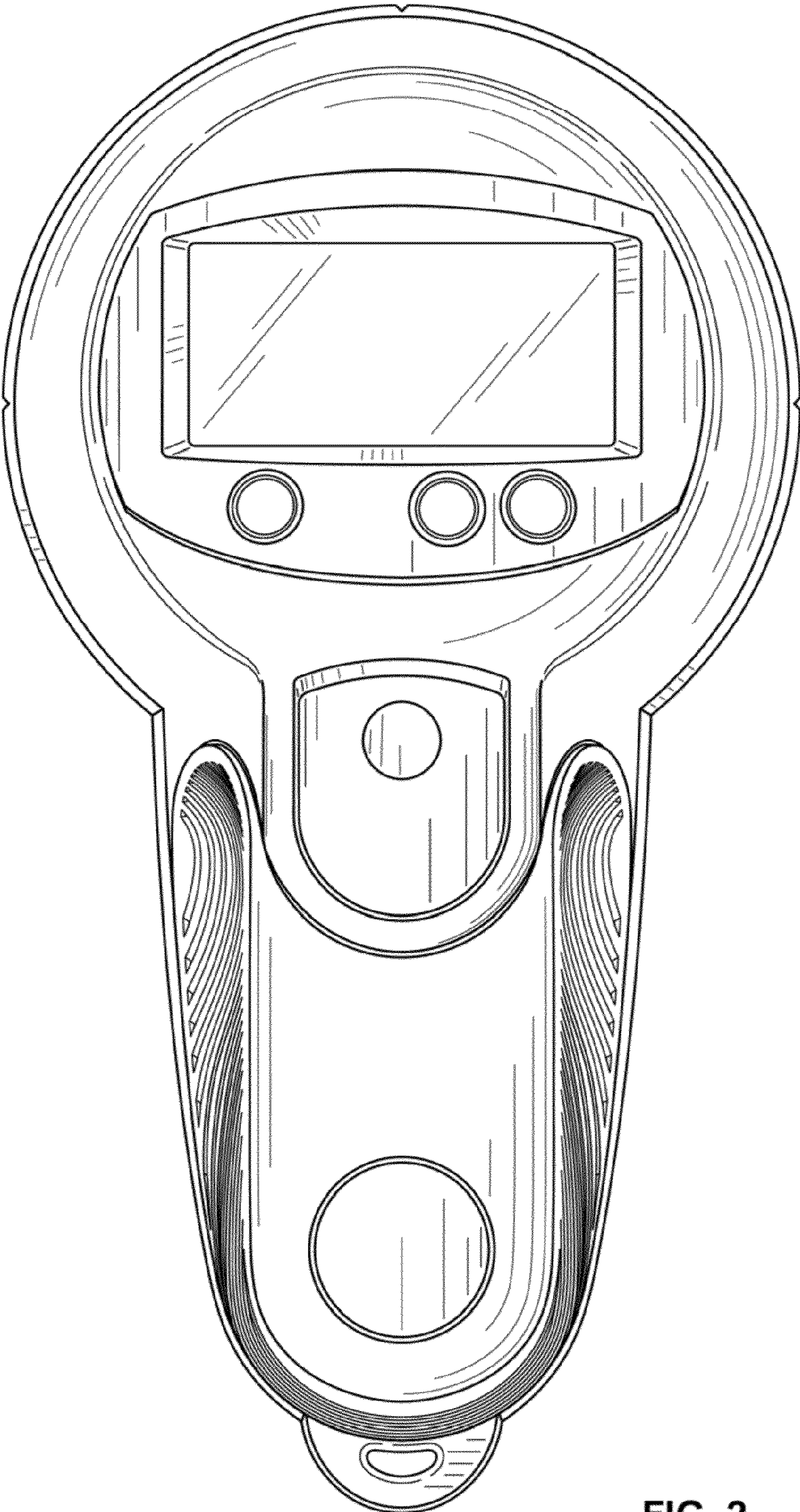


FIG. 2

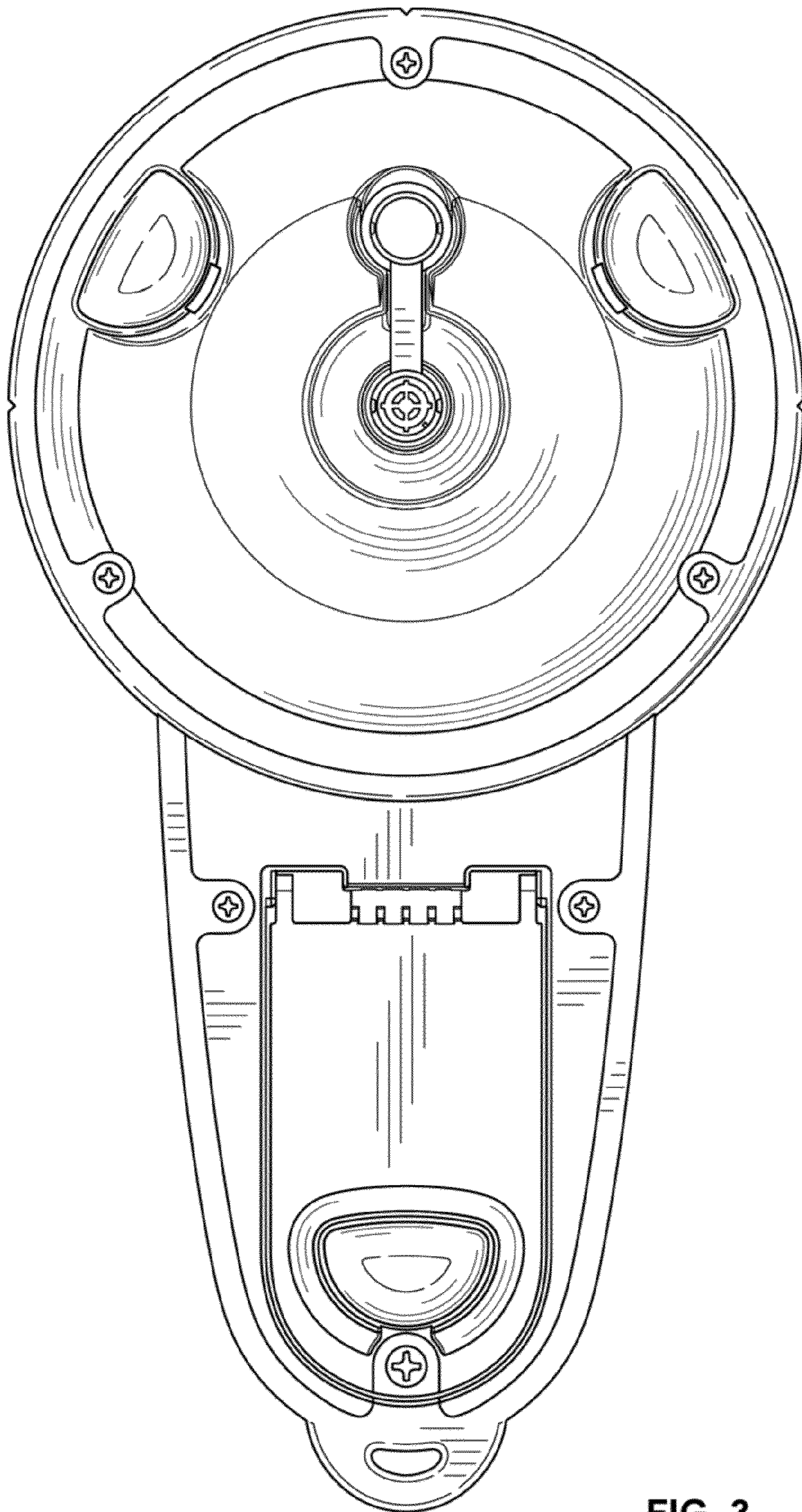


FIG. 3

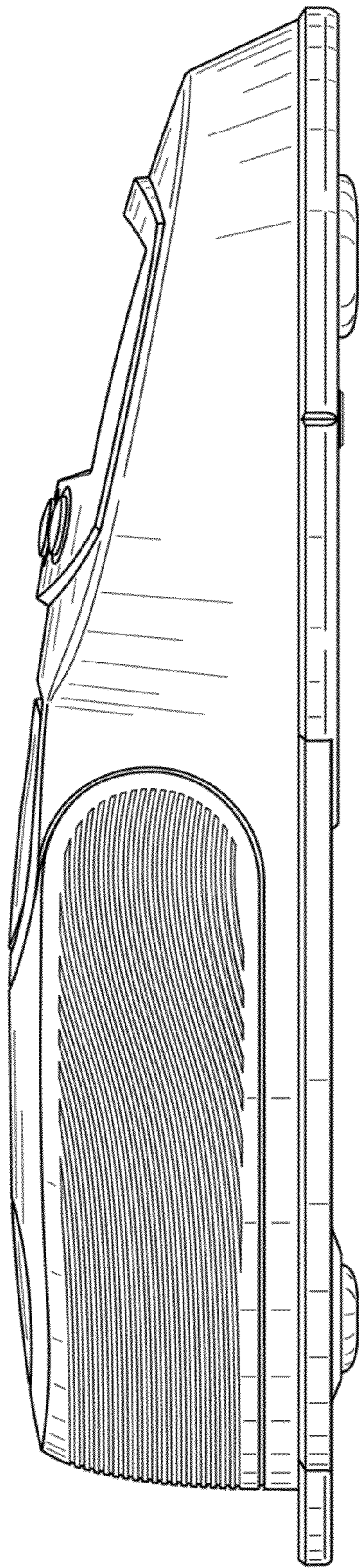


FIG. 4

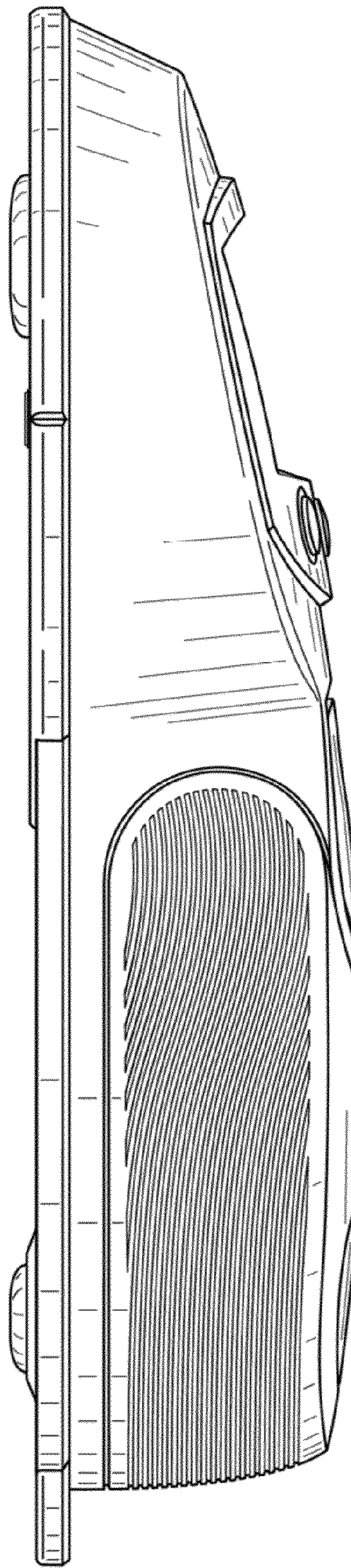


FIG. 5

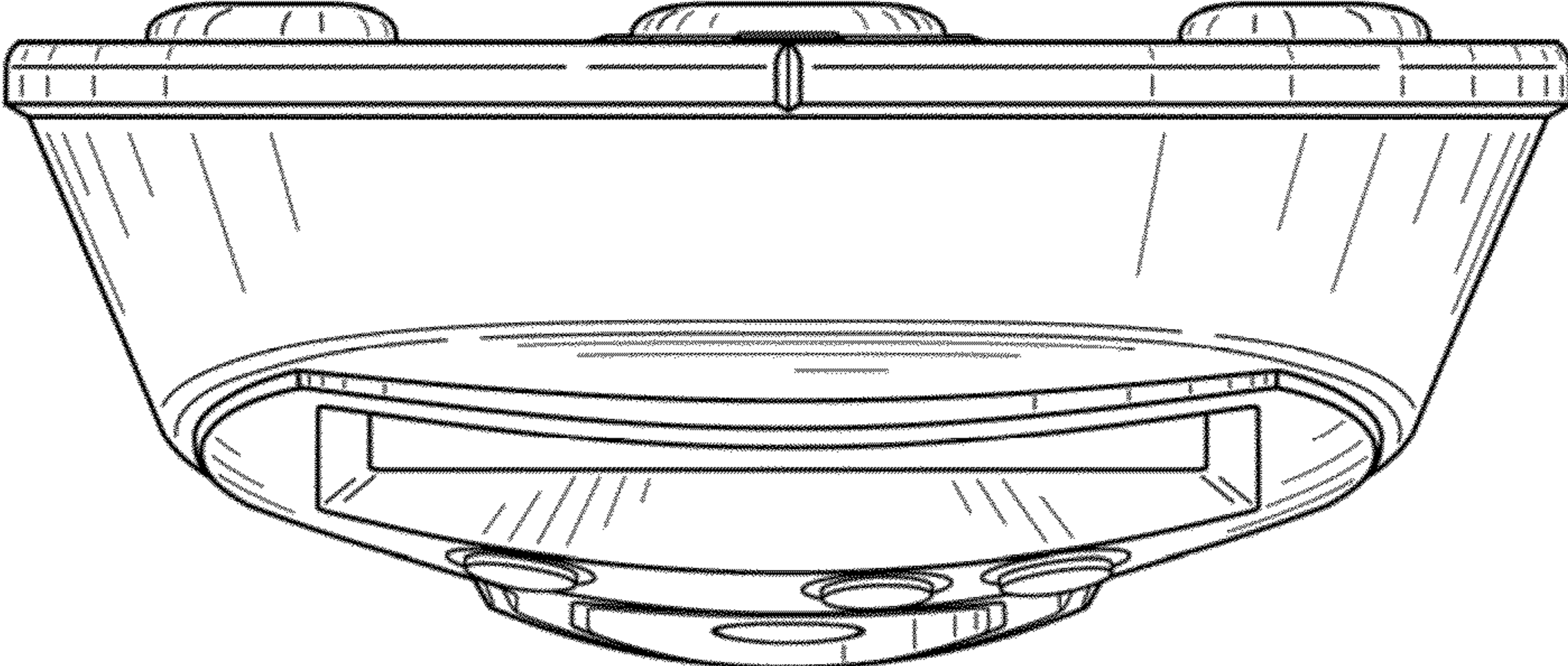


FIG. 6

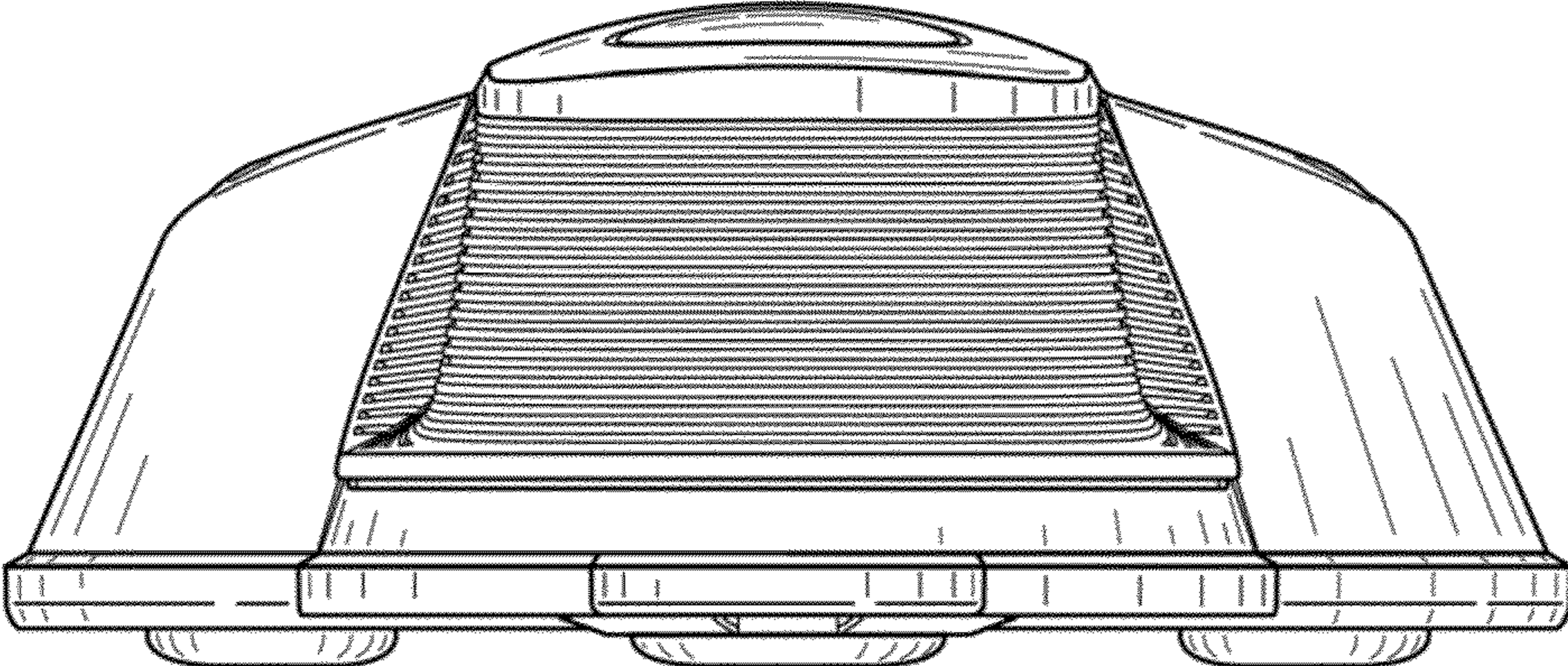


FIG. 7