



US00D706146S

(12) **United States Design Patent**
Regimand et al.

(10) **Patent No.:** **US D706,146 S**
(45) **Date of Patent:** **** Jun. 3, 2014**

(54) **NUCLEAR GAUGE CALIBRATION DEVICE**

OTHER PUBLICATIONS

(71) Applicant: **Instro Tek, Inc.**, Raleigh, NC (US)

Photographs of a conventional calibration bay setup with three density blocks and one moisture block (four block configuration), date unknown but believed to be prior to Nov. 30, 2011, 3 pages.

(72) Inventors: **Ali Regimand**, Raleigh, NC (US); **Peter D. Muse**, Durham, NC (US); **Lawrence H. James**, Raleigh, NC (US); **Adam C. O'Neill**, Raleigh, NC (US)

* cited by examiner

Primary Examiner — Antoine D Davis

(74) *Attorney, Agent, or Firm* — Myers Bigel Sibley & Sajovec, P.A.

(73) Assignee: **InstroTek, Inc.**, Raleigh, NC (US)

(57) **CLAIM**

The ornamental design for a nuclear gauge calibration device, as shown and described.

(**) Term: **14 Years**

DESCRIPTION

(21) Appl. No.: **29/438,573**

FIG. 1 is a front, top perspective view of a nuclear gauge calibration device showing our design;

(22) Filed: **Nov. 30, 2012**

FIG. 2 is a bottom, side perspective view thereof;

(51) **LOC (10) Cl.** **10-04**

FIG. 3 is a front view thereof;

(52) **U.S. Cl.**

FIG. 4 is a top view thereof;

USPC **D10/56; D10/49**

FIG. 5 is a side view thereof;

(58) **Field of Classification Search**

USPC D10/49, 56; 73/1.88, 437, 73, 803;
250/253, 390.04, 390.05; 378/89, 90,
378/207; 702/90, 137

FIG. 6 is a bottom view thereof;

FIG. 7 is a side view thereof, opposite that shown in FIG. 5;

FIG. 8 is a rear view thereof; and,

FIG. 9 is a side perspective environmental view of the nuclear gauge calibration device shown with a nuclear gauge in broken line sitting thereon for calibration.

See application file for complete search history.

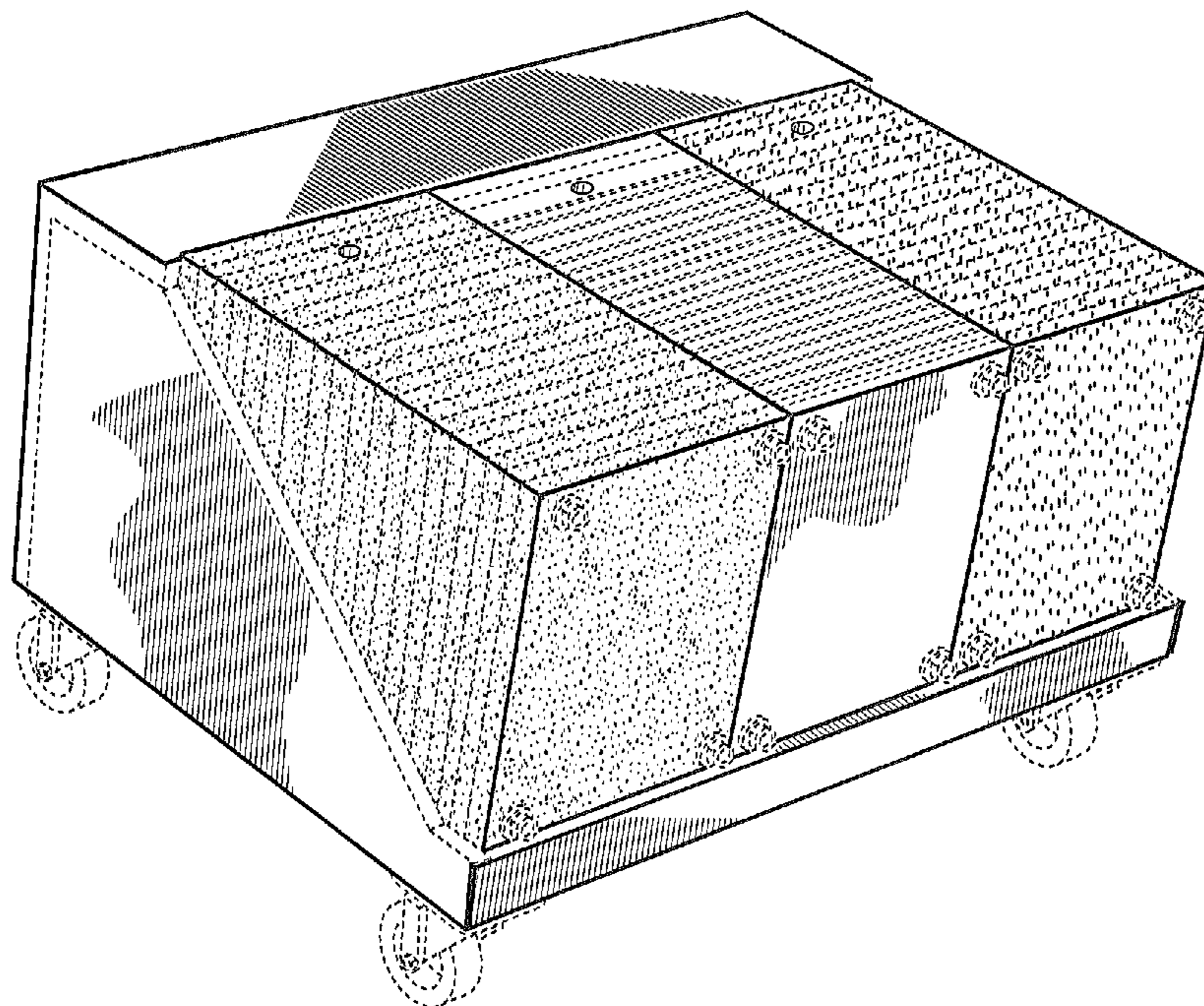
The broken lines shown herein are for illustrative purposes only and form no part of the claimed design. The different shading on the three blocks shown in FIGS. 1-9 represent respective different visual appearances associated with different materials.

(56) **References Cited**

U.S. PATENT DOCUMENTS

6,369,381 B1 * 4/2002 Troxler et al. 250/252.1
6,459,772 B1 * 10/2002 Wiedenhofer et al. 378/163

1 Claim, 6 Drawing Sheets



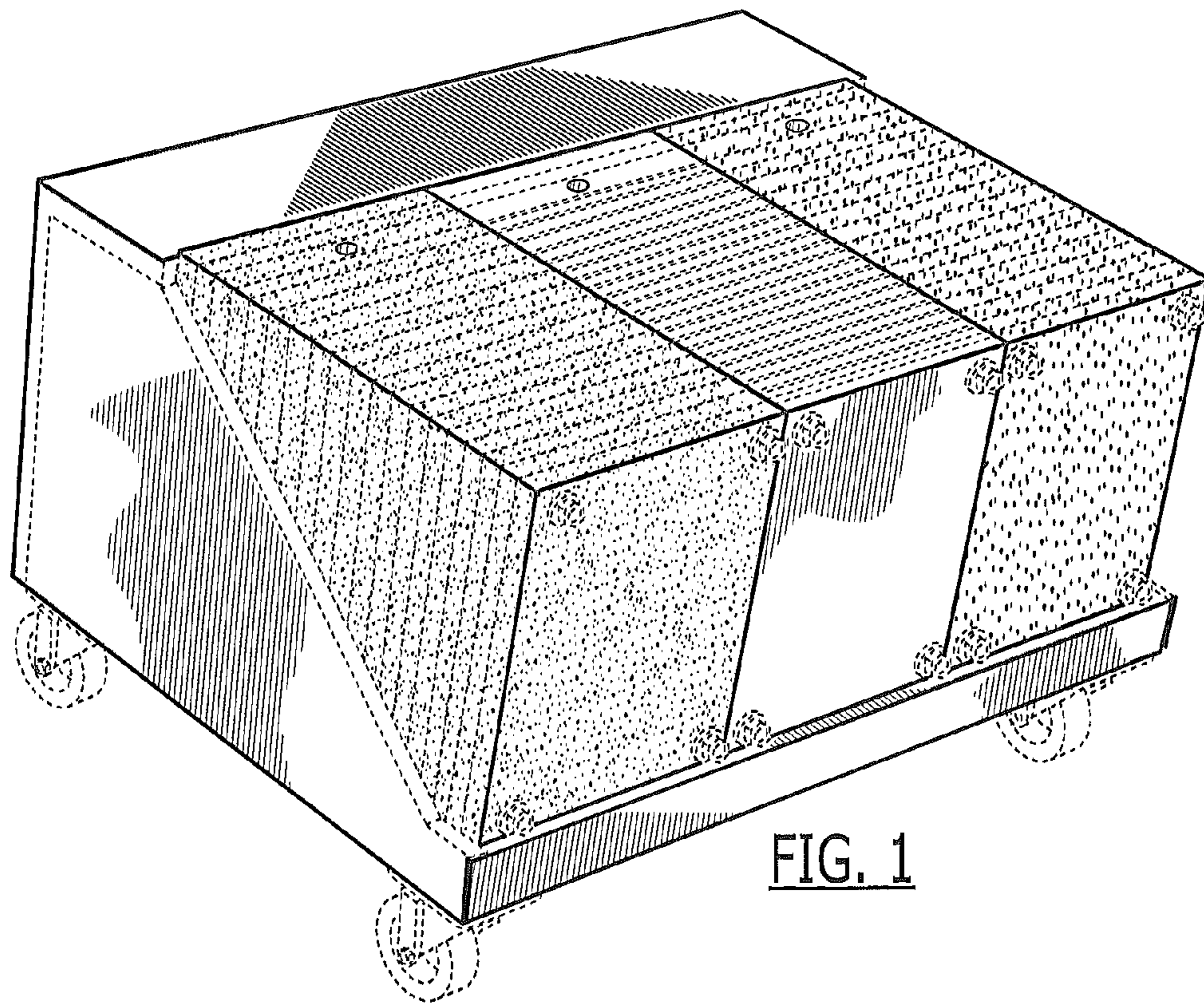


FIG. 1

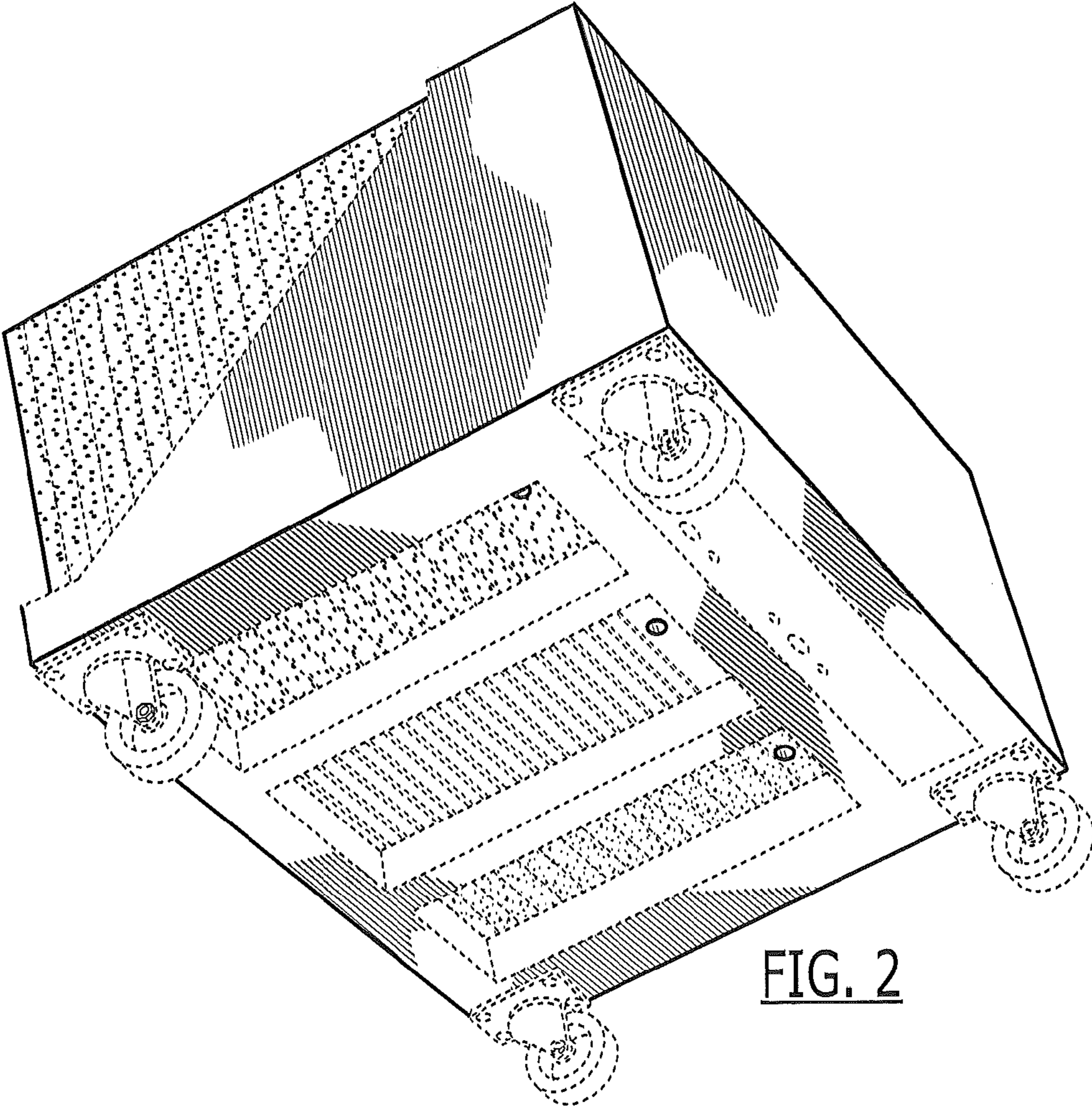


FIG. 2

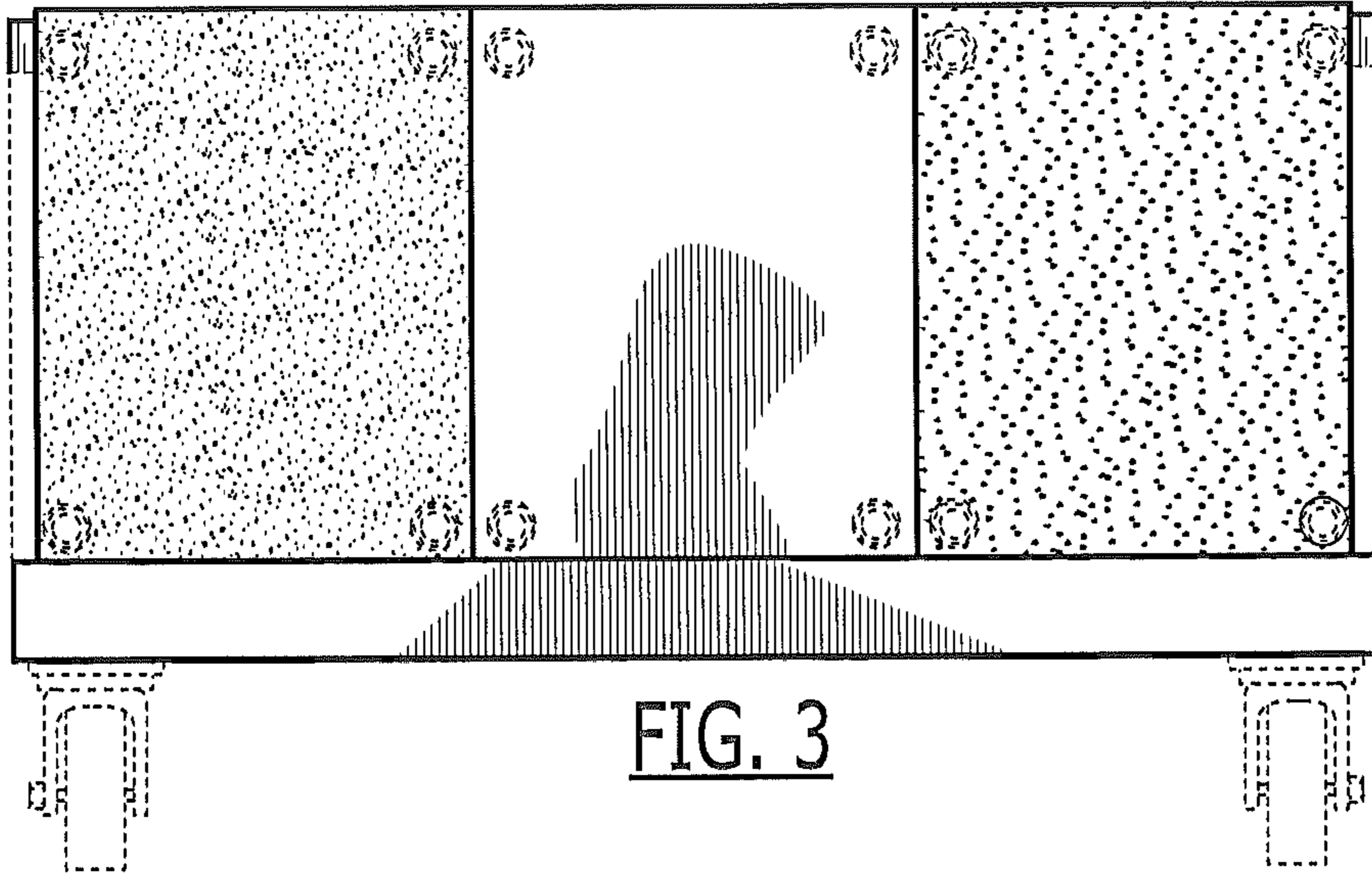


FIG. 3

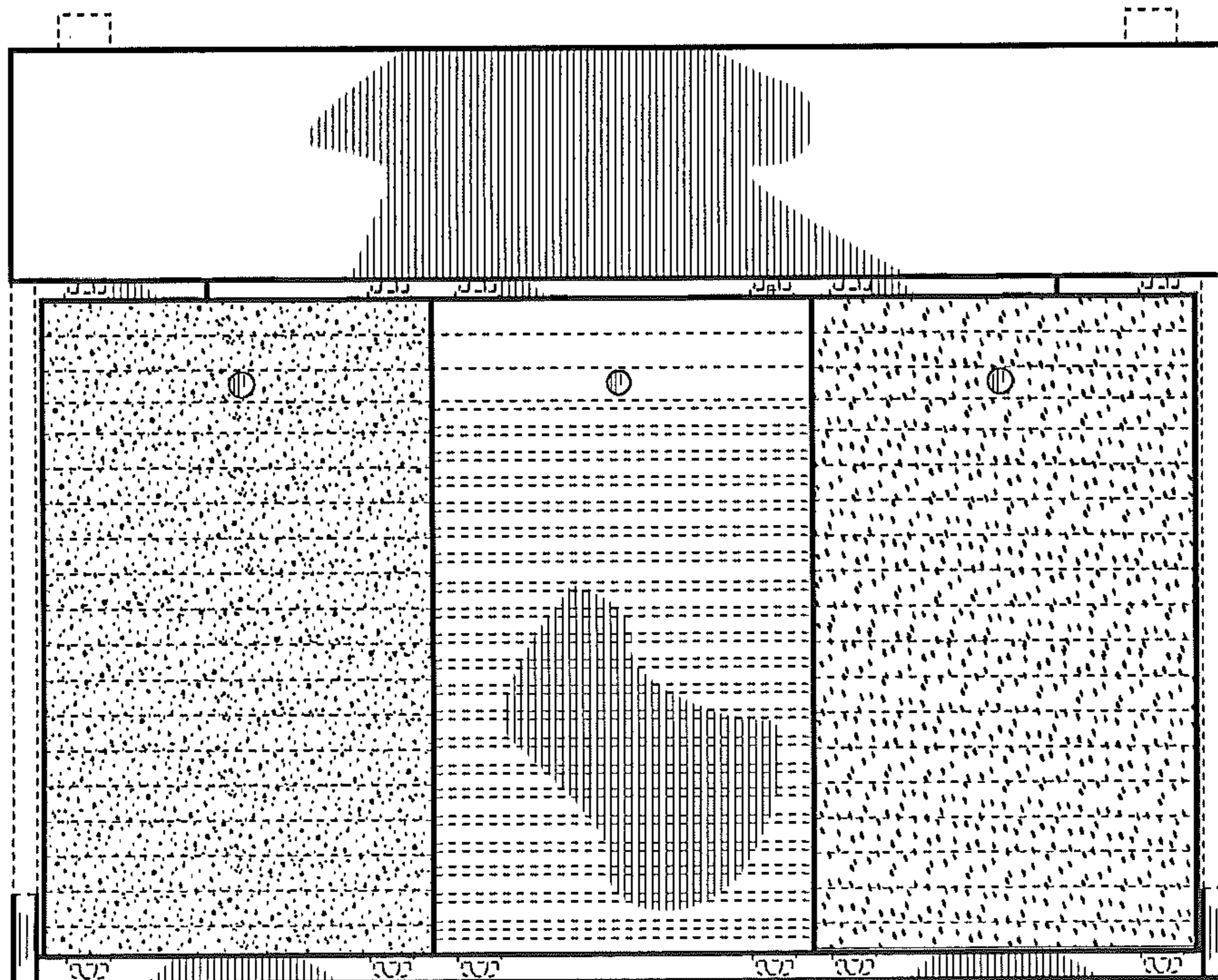
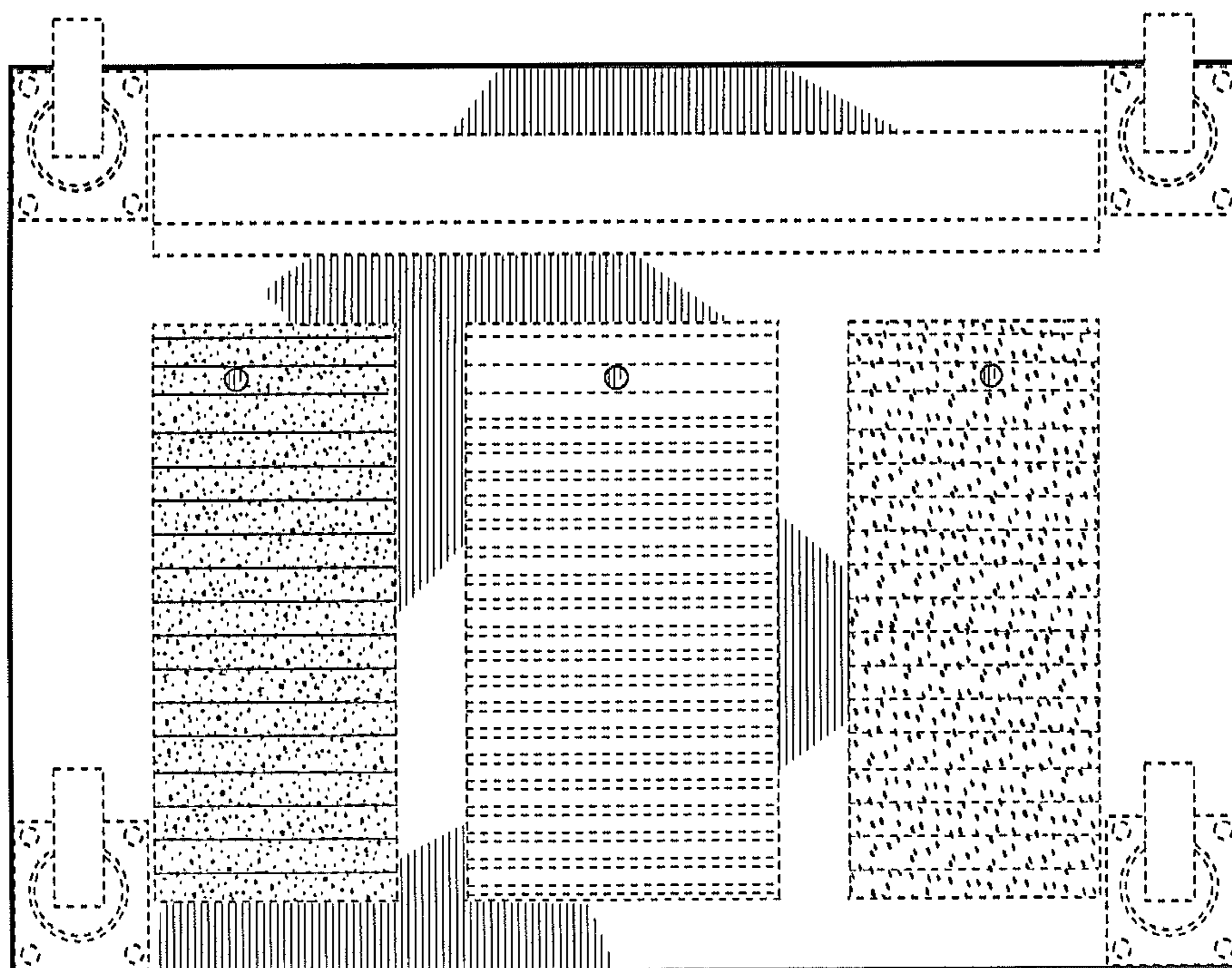
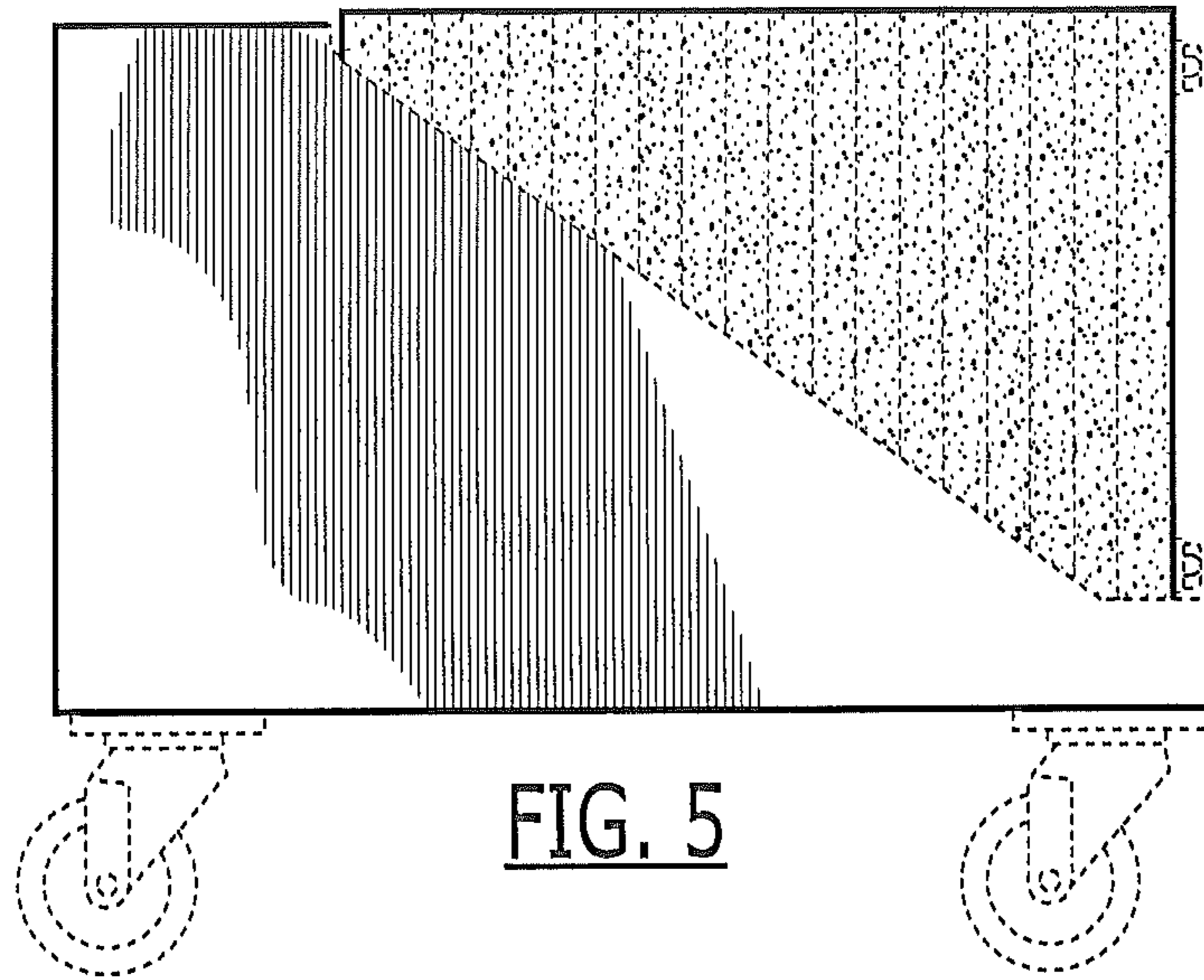


FIG. 4



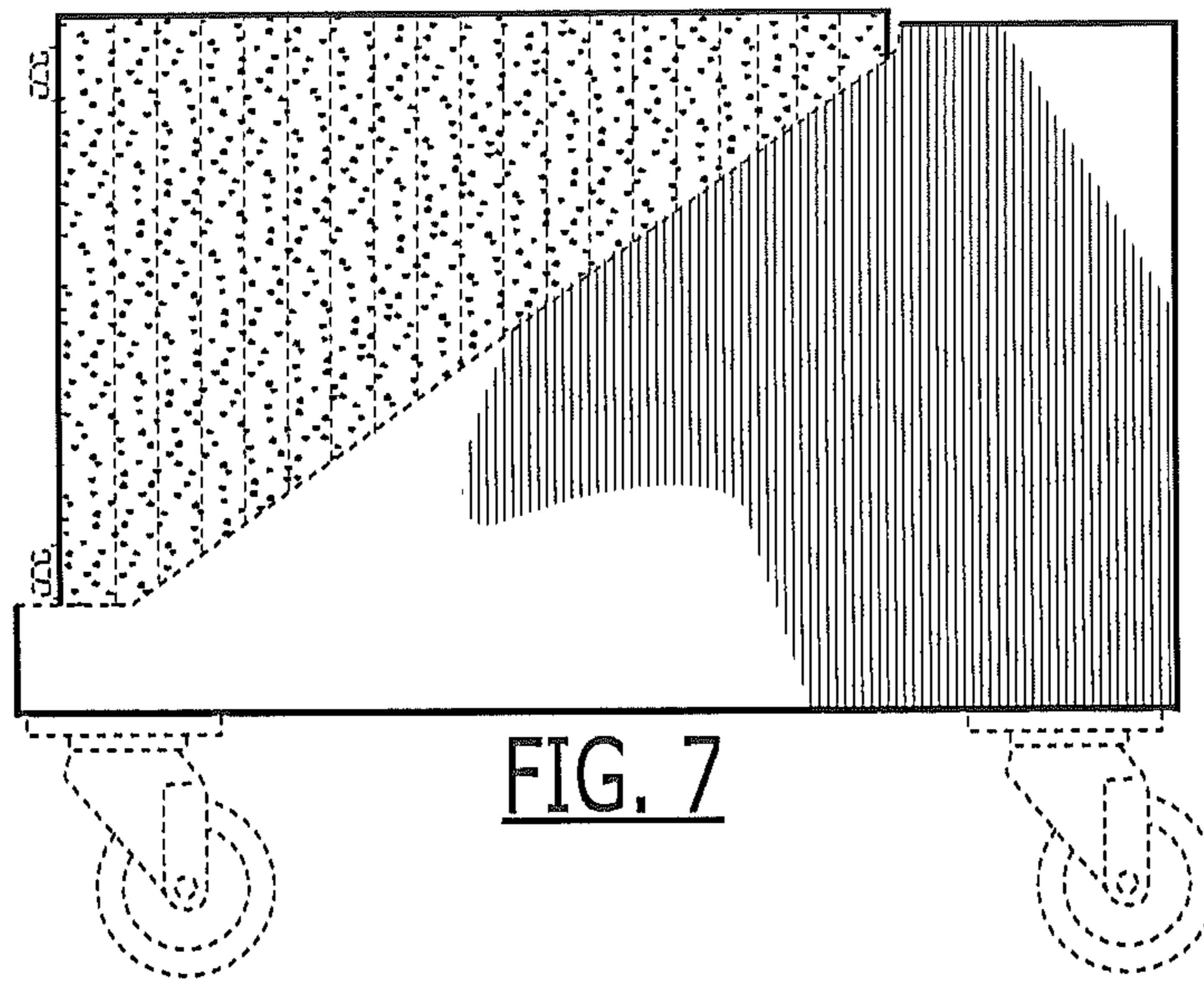


FIG. 7

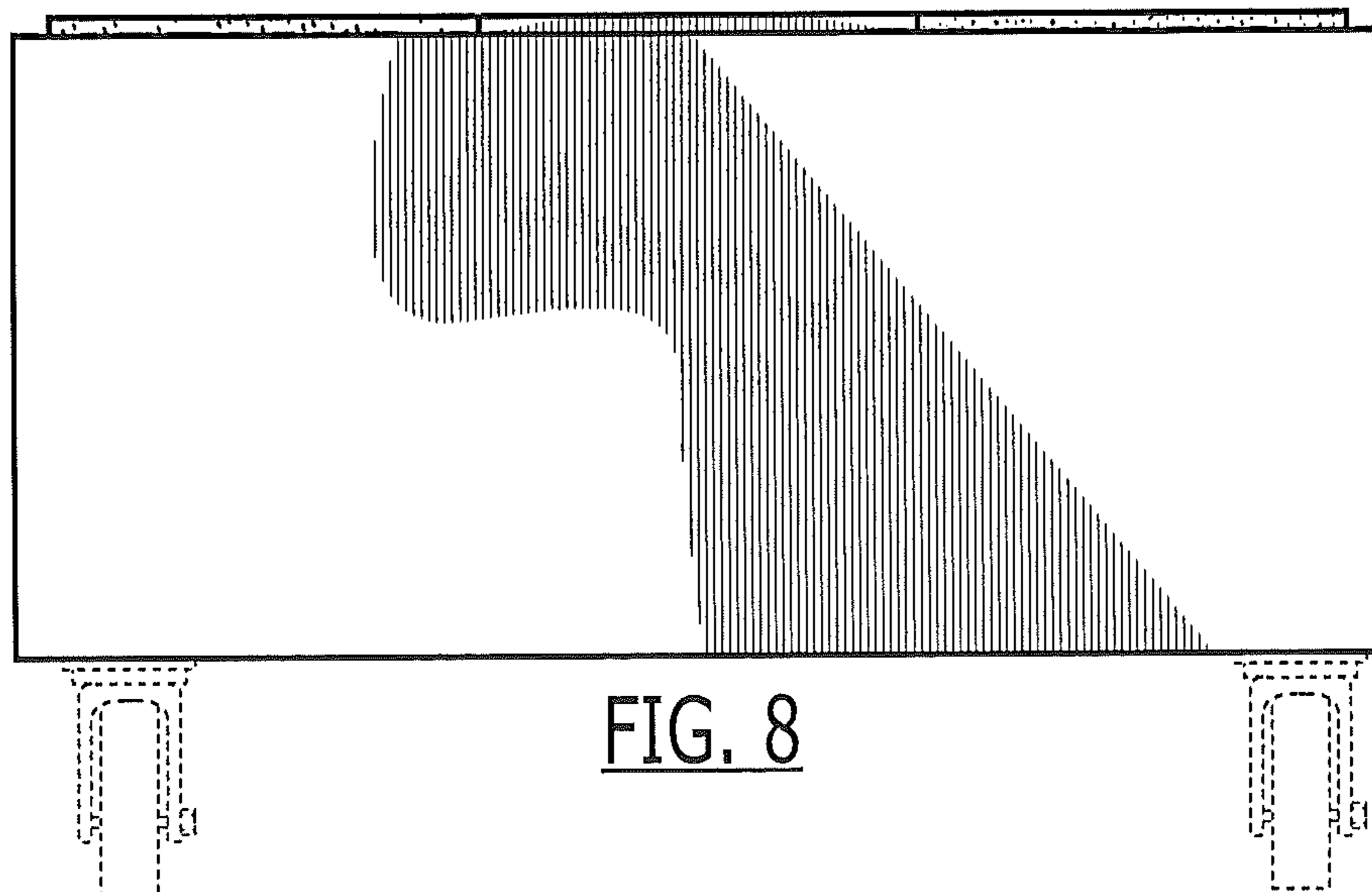


FIG. 8

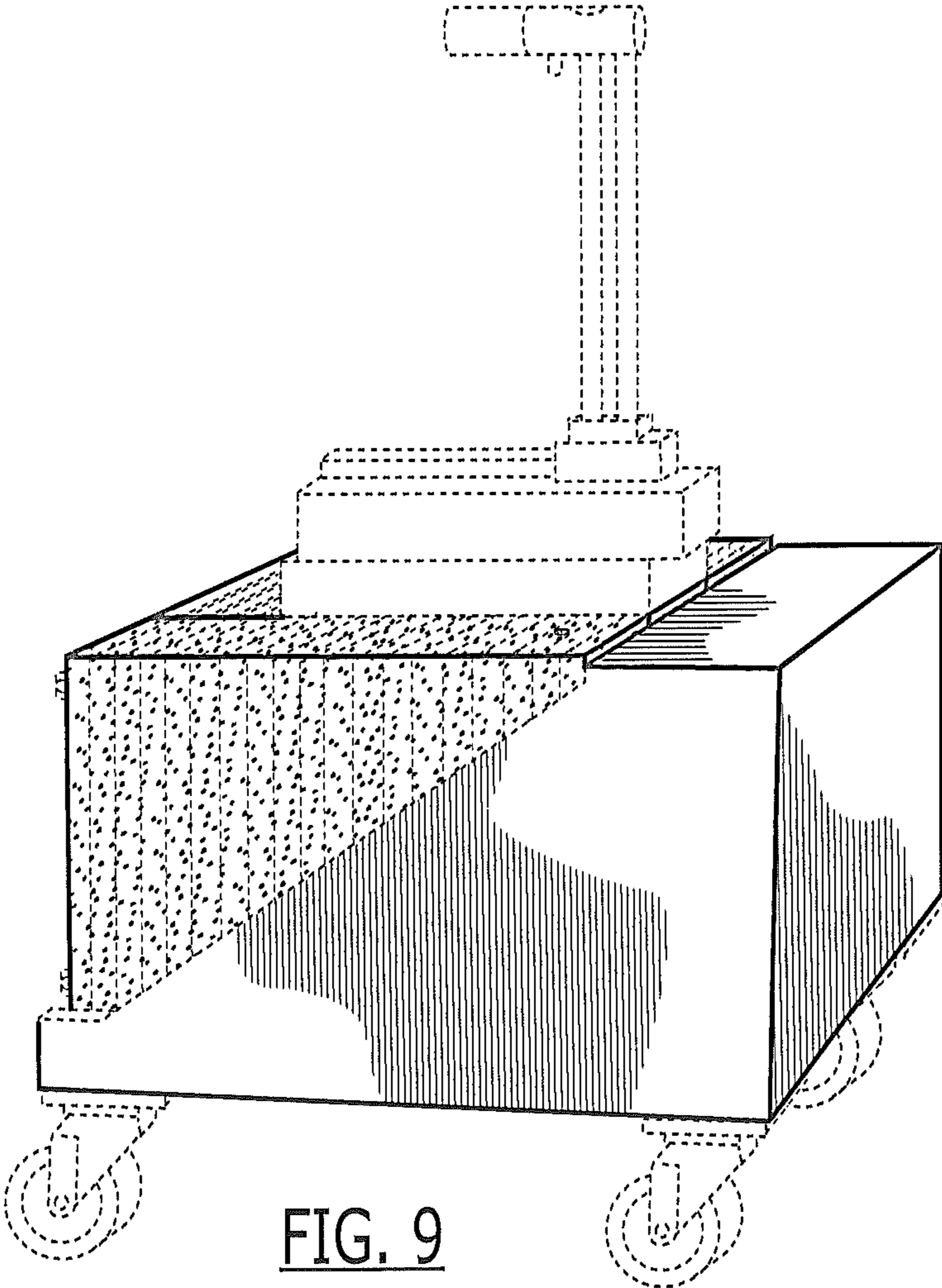


FIG. 9