



US00D706143S

(12) **United States Design Patent**  
**Monachon**

(10) **Patent No.:** **US D706,143 S**  
(45) **Date of Patent:** **\*\* Jun. 3, 2014**

- (54) **WRISTWATCH**
- (71) Applicant: **Omega Ltd., Biel/Bienne (CH)**
- (72) Inventor: **Jean-Claude Monachon, Bevaix (CH)**
- (73) Assignee: **Omega Ltd., Biel/Bienne (CH)**
- (\*\*) Term: **14 Years**
- (21) Appl. No.: **29/470,263**
- (22) Filed: **Oct. 18, 2013**
- (51) **LOC (10) Cl.** ..... **10-02**
- (52) **U.S. Cl.**  
USPC ..... **D10/32**
- (58) **Field of Classification Search**  
USPC ..... D10/30-39, 122-132; 368/276, 281,  
368/282, 80, 223, 228; D11/3  
See application file for complete search history.

D324,828 S *	3/1992	Wunderman	.....	D10/32
D324,829 S *	3/1992	Bock	.....	D10/126
D326,232 S *	5/1992	Kurebayashi	.....	D10/39
5,119,351 A *	6/1992	Gogniat	.....	368/282
D332,055 S *	12/1992	Gander	.....	D10/39
5,373,484 A *	12/1994	Rappo et al.	.....	368/282
5,398,218 A *	3/1995	Munnier et al.	.....	368/282
D393,602 S *	4/1998	Sang	.....	D11/3
D551,095 S *	9/2007	Monachon	.....	D10/32
D551,096 S *	9/2007	Salemi	.....	D10/32
D617,662 S *	6/2010	Monachon	.....	D10/32
D667,317 S *	9/2012	Jamin	.....	D10/39
D674,710 S *	1/2013	Monachon	.....	D10/32

\* cited by examiner

*Primary Examiner* — Lucy Lieberman  
(74) *Attorney, Agent, or Firm* — Donald J. Ranft; Collen IP

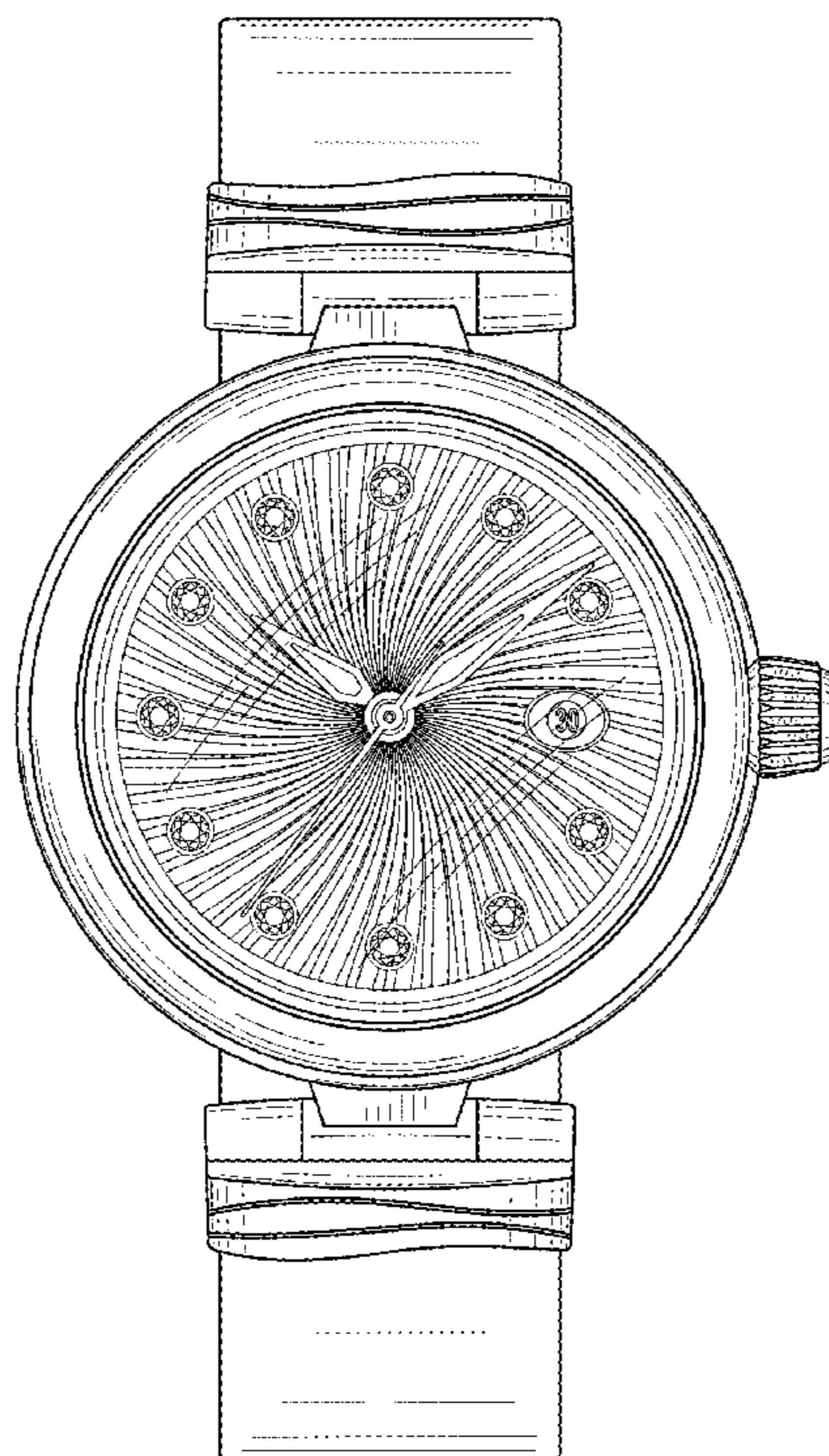
(57) **CLAIM**  
The ornamental design for a wristwatch, as shown and described.

**DESCRIPTION**

FIG. 1 is a front right perspective view of a wristwatch showing my new design;  
FIG. 2 is a front view thereof;  
FIG. 3 is a rear view thereof;  
FIG. 4 is a left side view thereof;  
FIG. 5 is a right side view thereof;  
FIG. 6 is a top view thereof; and,  
FIG. 7 is a bottom view.  
The portions of the wristwatch shown in broken lines form no part of the claimed design.

**1 Claim, 7 Drawing Sheets**

- (56) **References Cited**  
U.S. PATENT DOCUMENTS
- |               |         |                 |       |         |
|---------------|---------|-----------------|-------|---------|
| 2,191,020 A * | 2/1940  | Kaufmann        | ..... | 224/177 |
| D240,407 S *  | 7/1976  | Szalek          | ..... | D10/126 |
| D266,058 S *  | 9/1982  | Kanoui          | ..... | D10/39  |
| D284,951 S *  | 8/1986  | Chodat          | ..... | D11/4   |
| D309,576 S *  | 7/1990  | Saurer          | ..... | D10/39  |
| 4,970,708 A * | 11/1990 | Gagnebin et al. | ..... | 368/300 |
| D314,153 S *  | 1/1991  | Ratajski        | ..... | D10/32  |
| D315,311 S *  | 3/1991  | Ratajski        | ..... | D10/32  |
| D318,626 S *  | 7/1991  | Wunderman       | ..... | D10/32  |
| D319,027 S *  | 8/1991  | Burgener        | ..... | D10/39  |



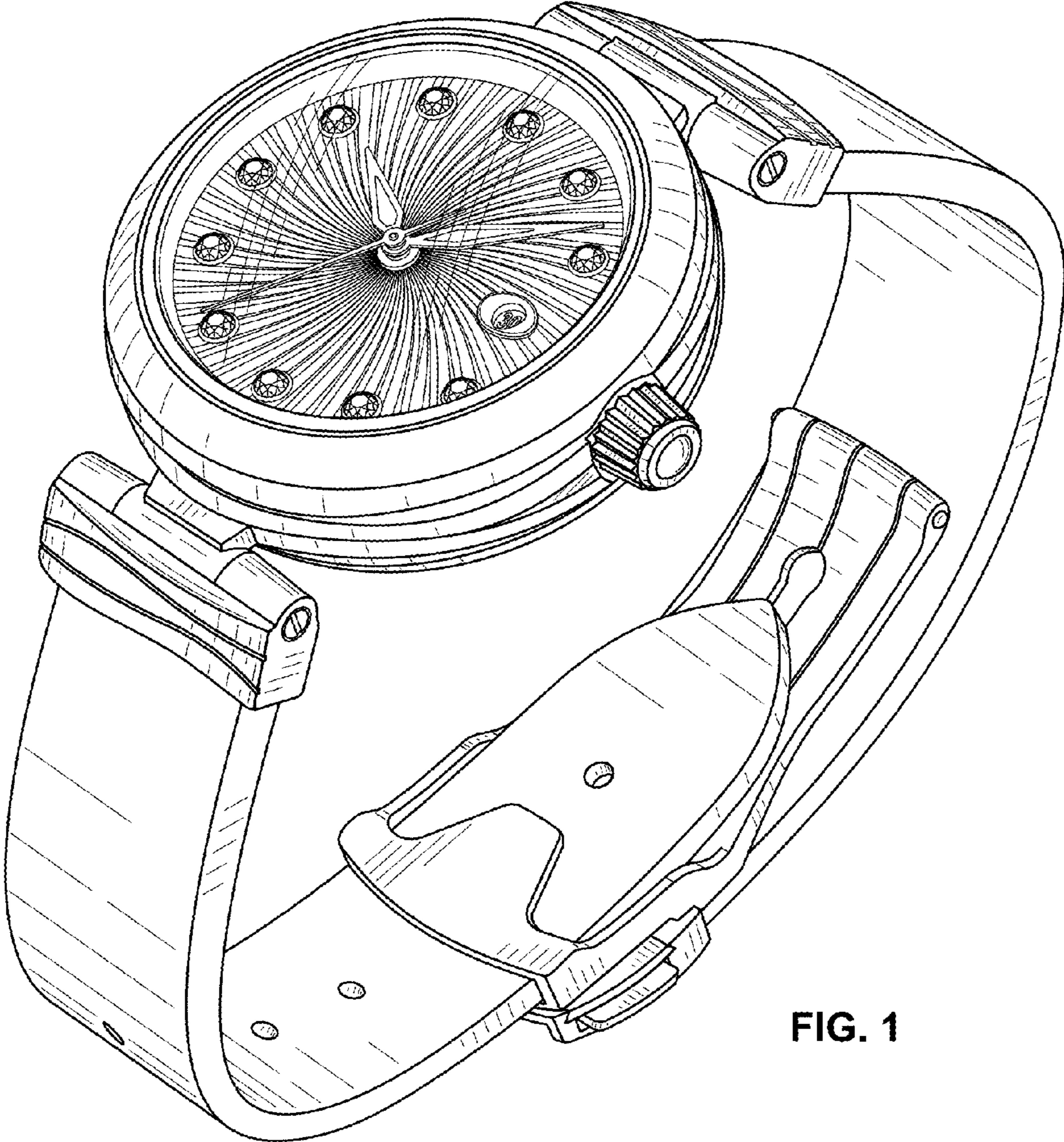


FIG. 1



FIG. 2

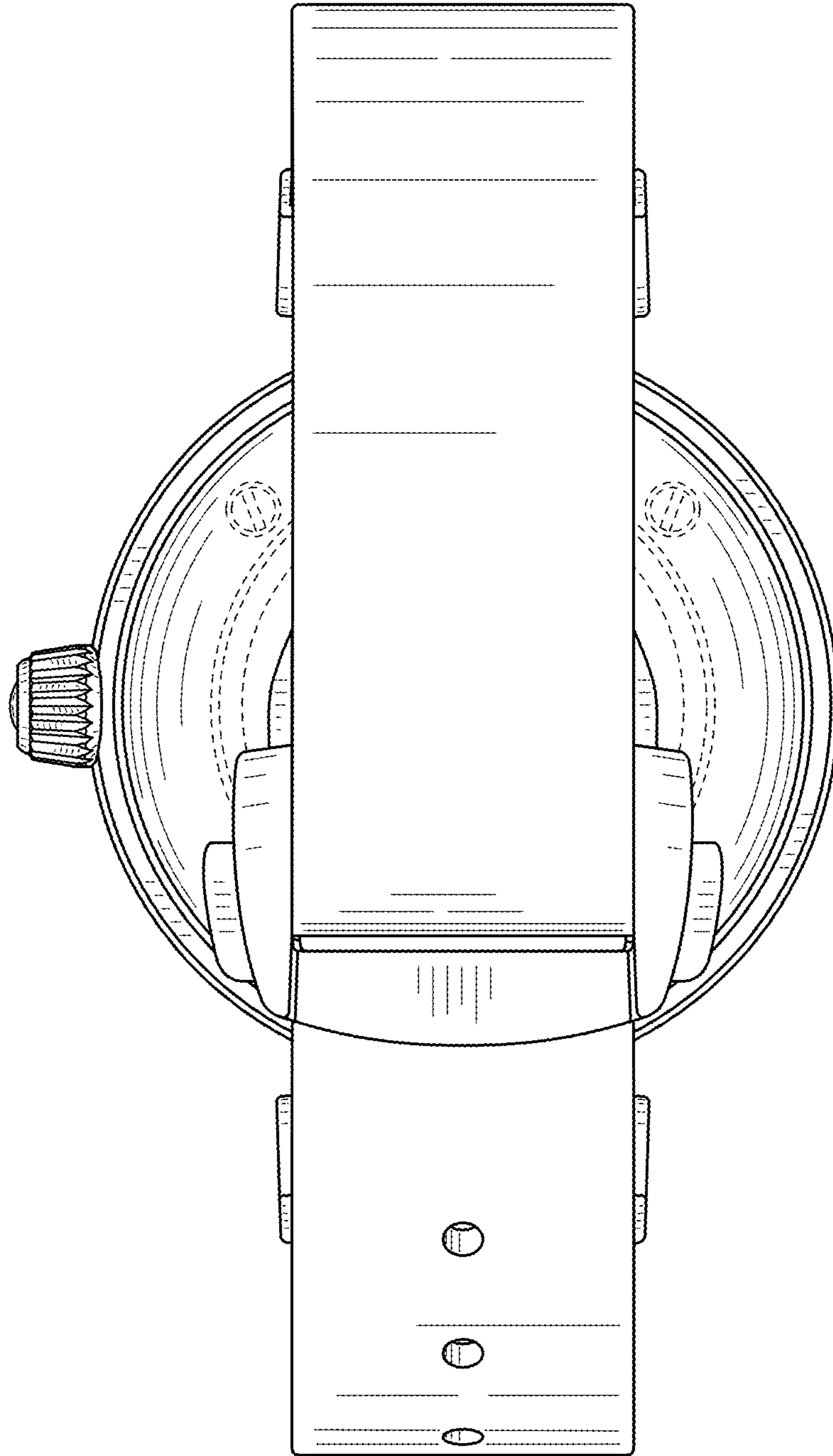


FIG. 3

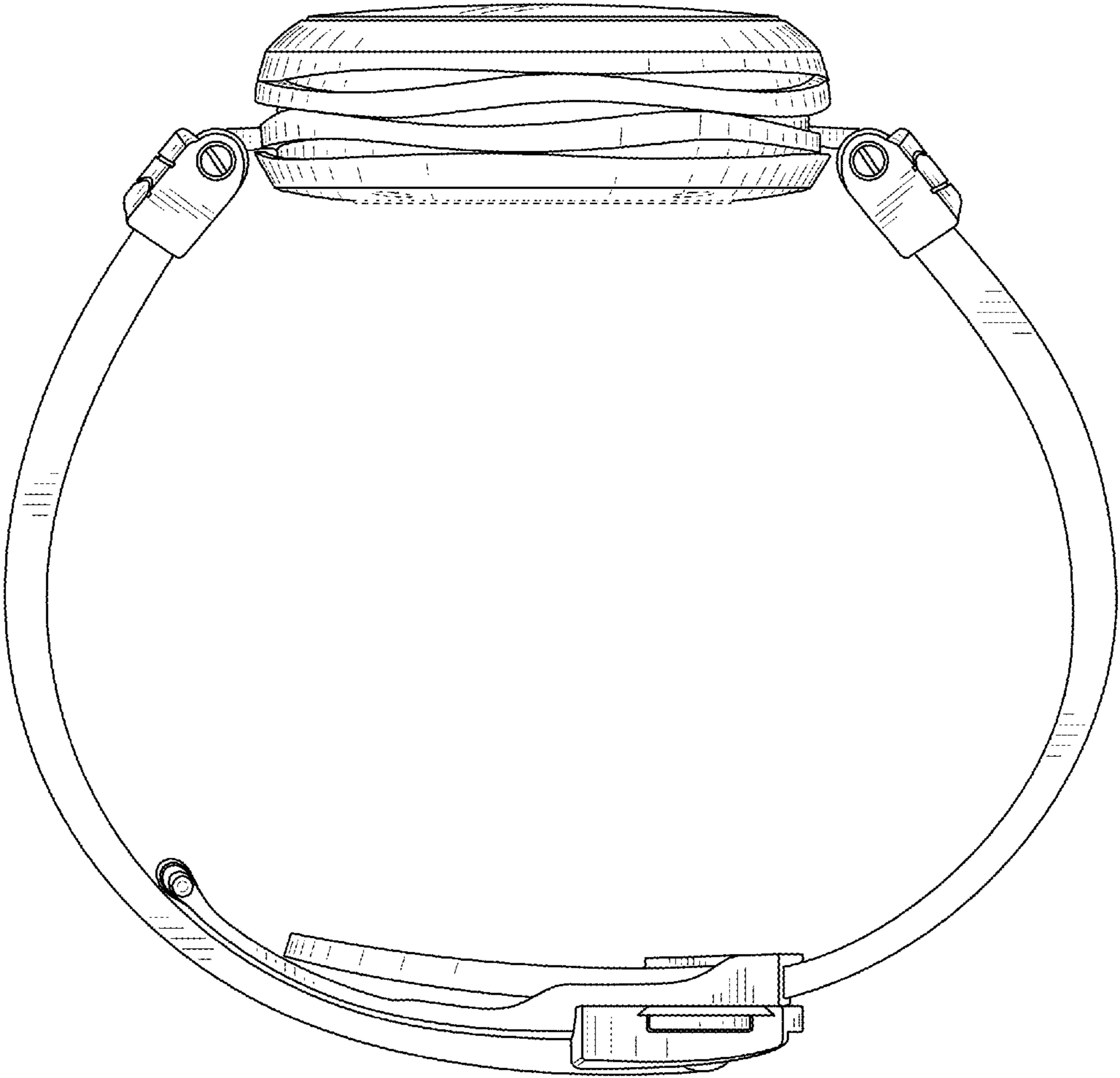


FIG. 4

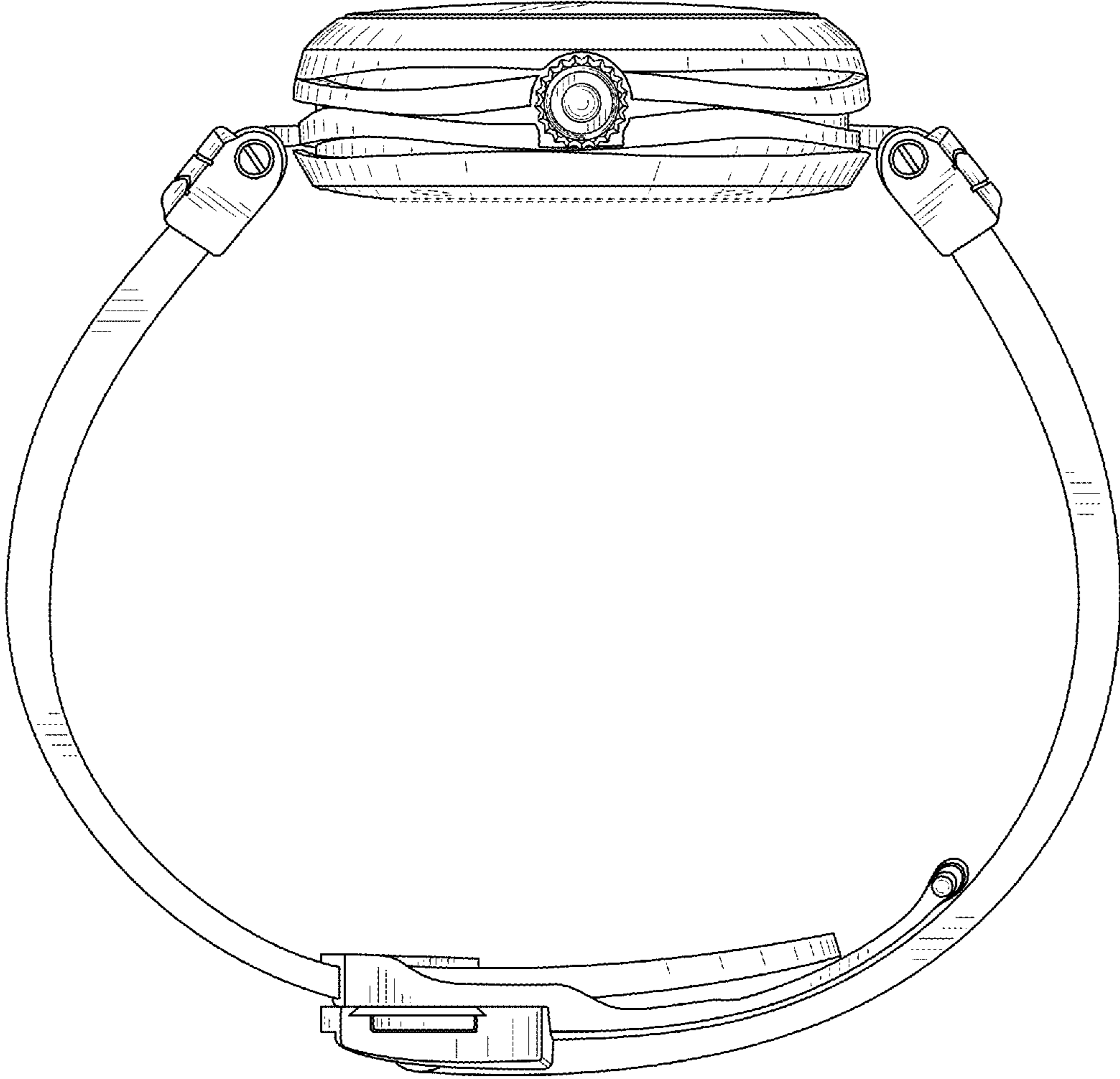


FIG. 5

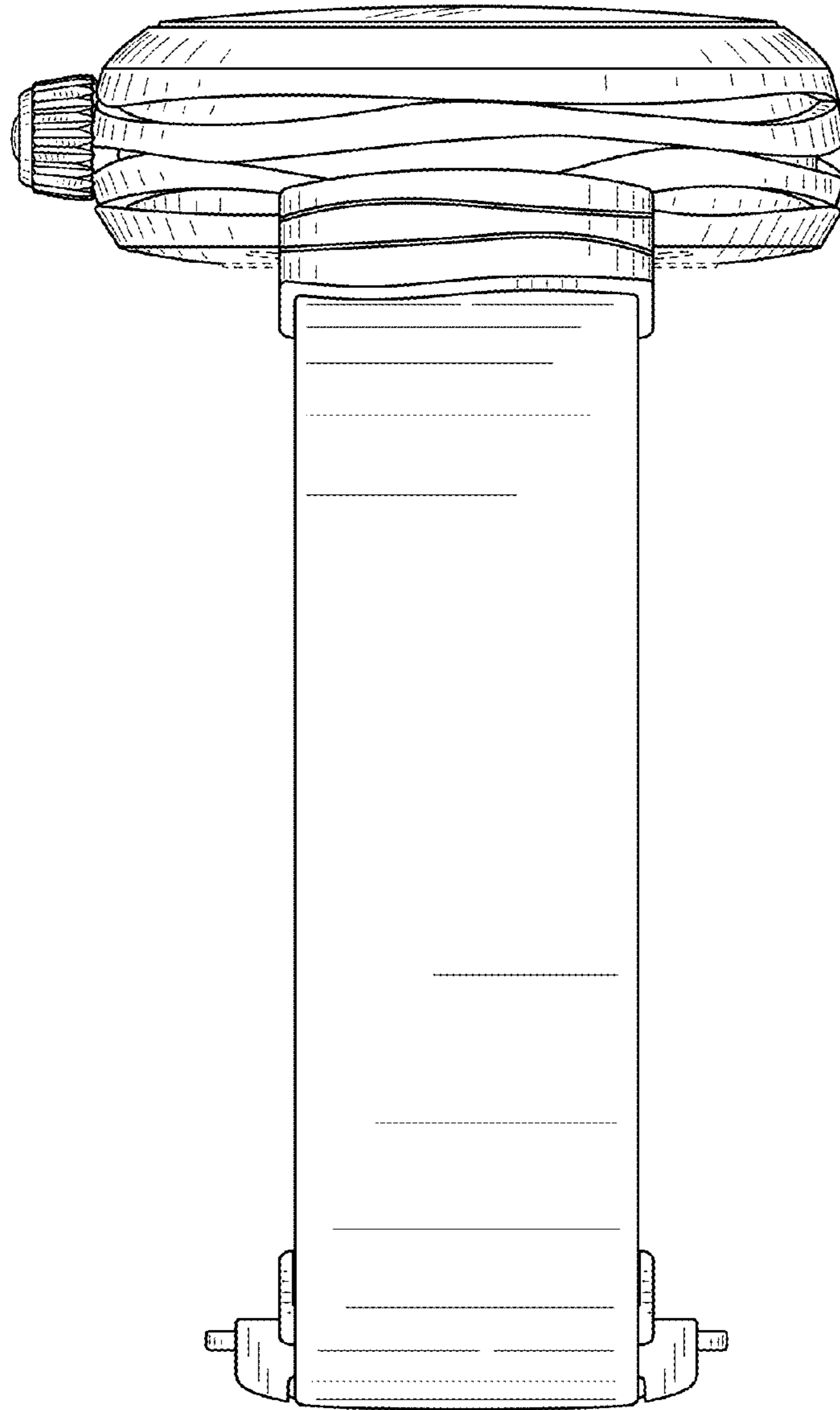


FIG. 6

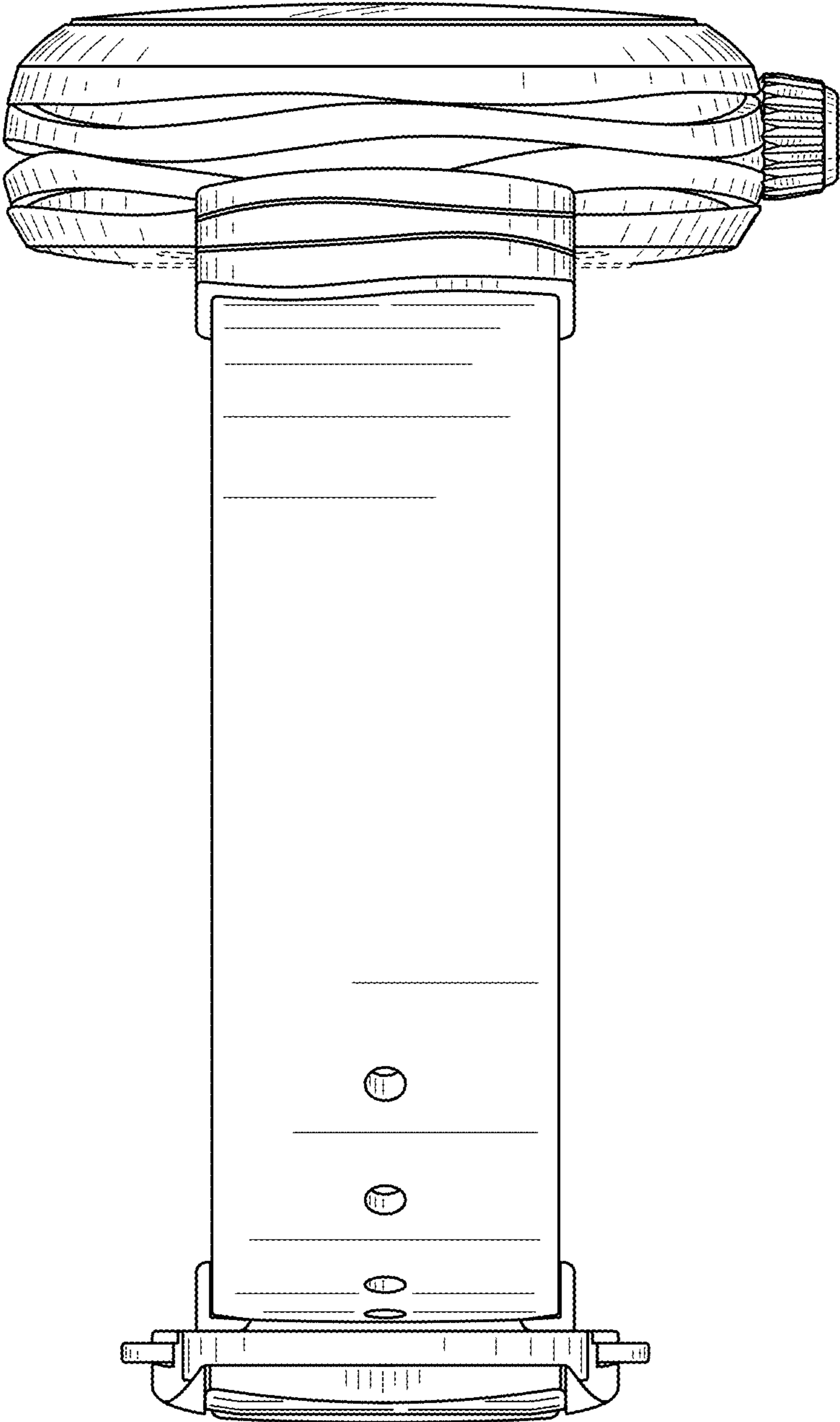


FIG. 7