



US00D706134S

(12) **United States Design Patent**
Sory

(10) **Patent No.:** **US D706,134 S**
(45) **Date of Patent:** **** Jun. 3, 2014**

- (54) **TELESCOPING CONTAINER CAP**
- (76) Inventor: **Devon Sory**, West Palm Beach, FL (US)
- (**) Term: **14 Years**
- (21) Appl. No.: **29/403,469**
- (22) Filed: **Oct. 6, 2011**
- (51) **LOC (10) Cl.** **09-07**
- (52) **U.S. Cl.**
USPC **D9/436; D9/435; D9/449; D9/454**
- (58) **Field of Classification Search**
USPC D9/499, 455, 450, 449, 447, 443, 440,
D9/436, 715, 718, 719, 727, 434; D7/590,
D7/512, 396.2, 392.1; 222/536, 521, 480,
222/145.5, 190, 191, 459; 220/254.3;
215/228, 6, 387, DIG. 8; 273/153 P;
434/96; D14/234
See application file for complete search history.

(56) **References Cited**

U.S. PATENT DOCUMENTS

243,362	A *	6/1881	Crandall	434/159
983,730	A *	2/1911	Leach	273/153 S
1,048,935	A *	12/1912	Brady	220/8
1,093,873	A *	4/1914	Mitchell	220/8
1,137,462	A *	4/1915	Clark	210/469
1,260,779	A *	3/1918	Koos	220/8
D53,069	S *	3/1919	Fox	D7/532
1,473,925	A *	11/1923	Dryer	222/523
1,595,231	A *	8/1926	Dryer	222/523
1,631,951	A *	6/1927	McAnsh	222/523
D106,922	S *	11/1937	Kopanski	D14/234
2,162,452	A *	6/1939	Elser	222/523
2,252,678	A *	8/1941	McC. Beary	434/98
2,839,842	A *	6/1958	Keyko	434/259
2,880,902	A *	4/1959	Owsen	220/8
D198,139	S *	5/1964	Edwards	D7/532
D199,749	S *	12/1964	Schnur	D7/533
3,220,544	A *	11/1965	Lovell	206/218

3,285,459	A *	11/1966	Gahm	220/8
3,471,058	A *	10/1969	Latham et al.	222/92
D219,473	S *	12/1970	Gahm	D7/512
D219,474	S *	12/1970	Gahm	D7/512
D219,475	S *	12/1970	Gahm	D7/512
D220,203	S *	3/1971	Gahm	D7/512
D220,204	S *	3/1971	Gahm	D7/512
3,665,832	A *	5/1972	Harvey	396/349
4,134,892	A *	1/1979	Sundberg	206/303
D309,116	S *	7/1990	Marshall	D10/62
D312,932	S *	12/1990	Congin et al.	D6/496
4,974,265	A *	12/1990	Maggio	4/449
D321,646	S *	11/1991	Robertson	D9/524
D325,583	S *	4/1992	Matuszewski	D14/234
D329,168	S *	9/1992	Robbins, III	D7/397
D329,169	S *	9/1992	Robbins, III	D7/397
D332,203	S *	1/1993	Fernandez-Guthrie	D7/512
5,188,157	A *	2/1993	Lee	141/338
D347,359	S *	5/1994	Robbins, III	D7/512
5,384,138	A *	1/1995	Robbins et al.	426/111
5,392,941	A *	2/1995	Robbins, III	220/8
D358,764	S *	5/1995	Robbins, III	D9/428
5,560,605	A *	10/1996	Garcia et al.	273/153 P
D381,559	S *	7/1997	Browne	D7/536
D383,680	S *	9/1997	Robbins, III	D9/560

(Continued)

Primary Examiner — Robert M Spear

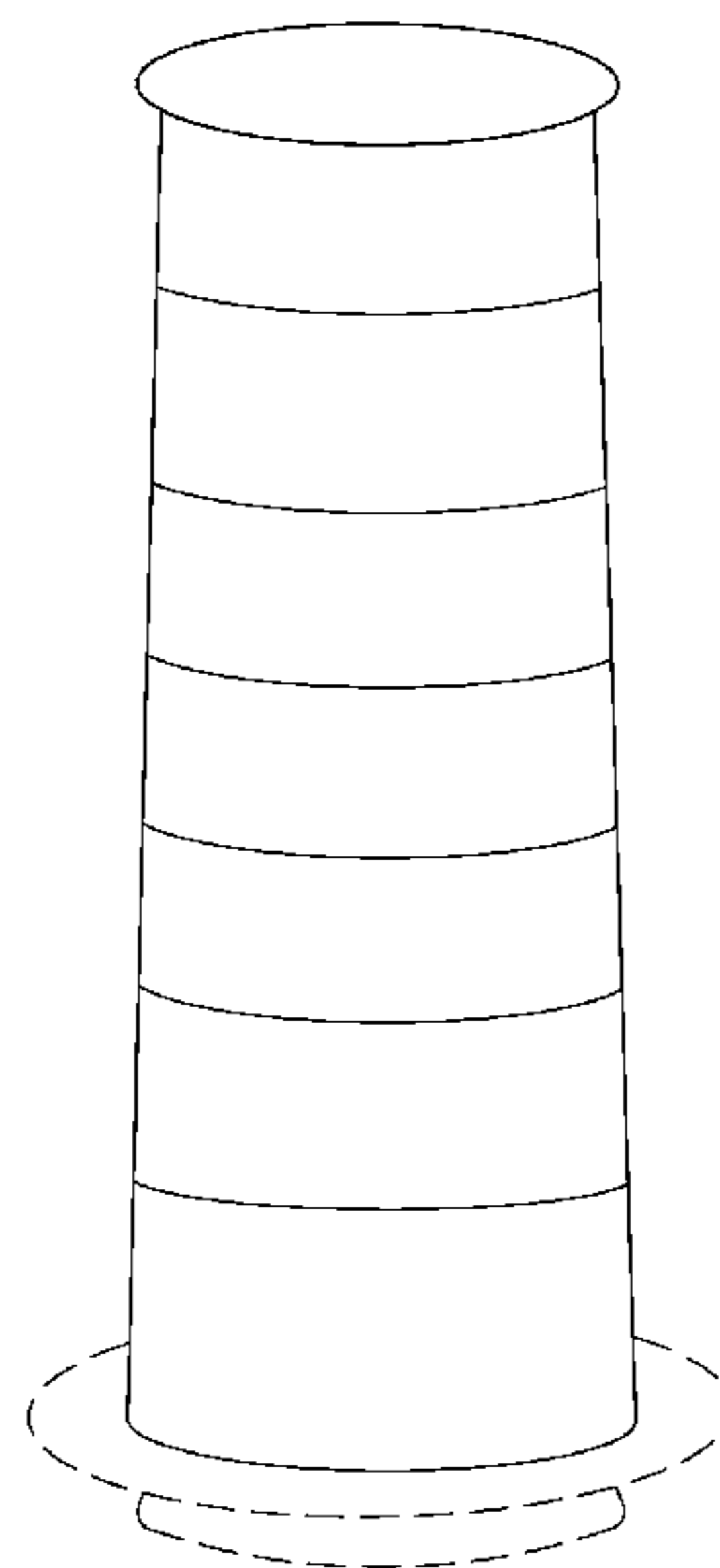
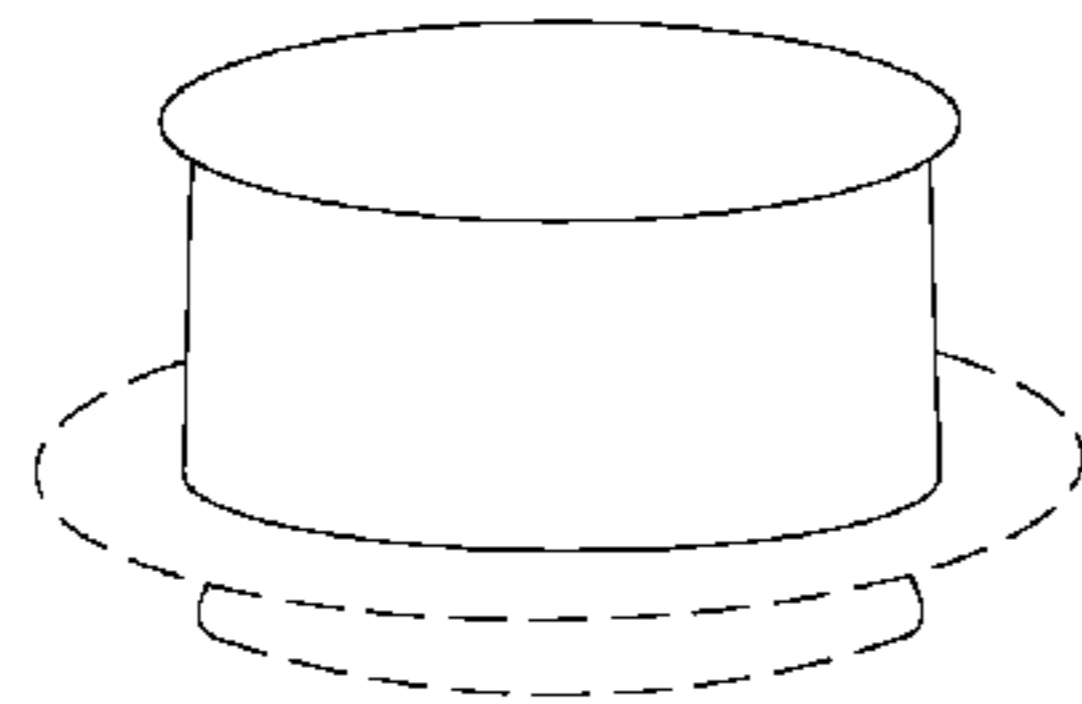
(57) **CLAIM**

I claim the ornamental design for a telescoping container cap, as shown and described.

DESCRIPTION

FIG. 1 is a front perspective view of a telescoping container cap showing my new design in a retracted condition; FIG. 2 is a top plan view thereof; and, FIG. 3 is a front perspective view thereof, shown in an extended condition. The broken lines in the drawings depict unclaimed environment only and form no part of the claim.

1 Claim, 1 Drawing Sheet



(56)

References Cited

U.S. PATENT DOCUMENTS

D385,194 S *	10/1997	Robbins, III	D9/502	6,935,389 B1 *	8/2005	Rinaldi	141/337
D386,933 S *	12/1997	Browne	D7/312	7,014,074 B1 *	3/2006	Rinaldi	222/461
D403,642 S *	1/1999	Acord	D12/197	D538,993 S *	3/2007	Cabeza et al.	D34/1
D483,225 S *	12/2003	Gain	D7/512	D544,303 S *	6/2007	Strepkoff	D7/512
6,666,329 B1 *	12/2003	Charbonneau	206/218	7,484,475 B2 *	2/2009	Milliner	119/52.1
D490,655 S *	6/2004	Zettle et al.	D7/532	7,506,611 B1 *	3/2009	Lush	119/52.1
					D599,416 S *	9/2009	Turco-Rivas	D21/479
					2008/0023103 A1 *	1/2008	Ballinger	141/338
					2008/0185781 A1 *	8/2008	Mascolo	273/153 P

* cited by examiner

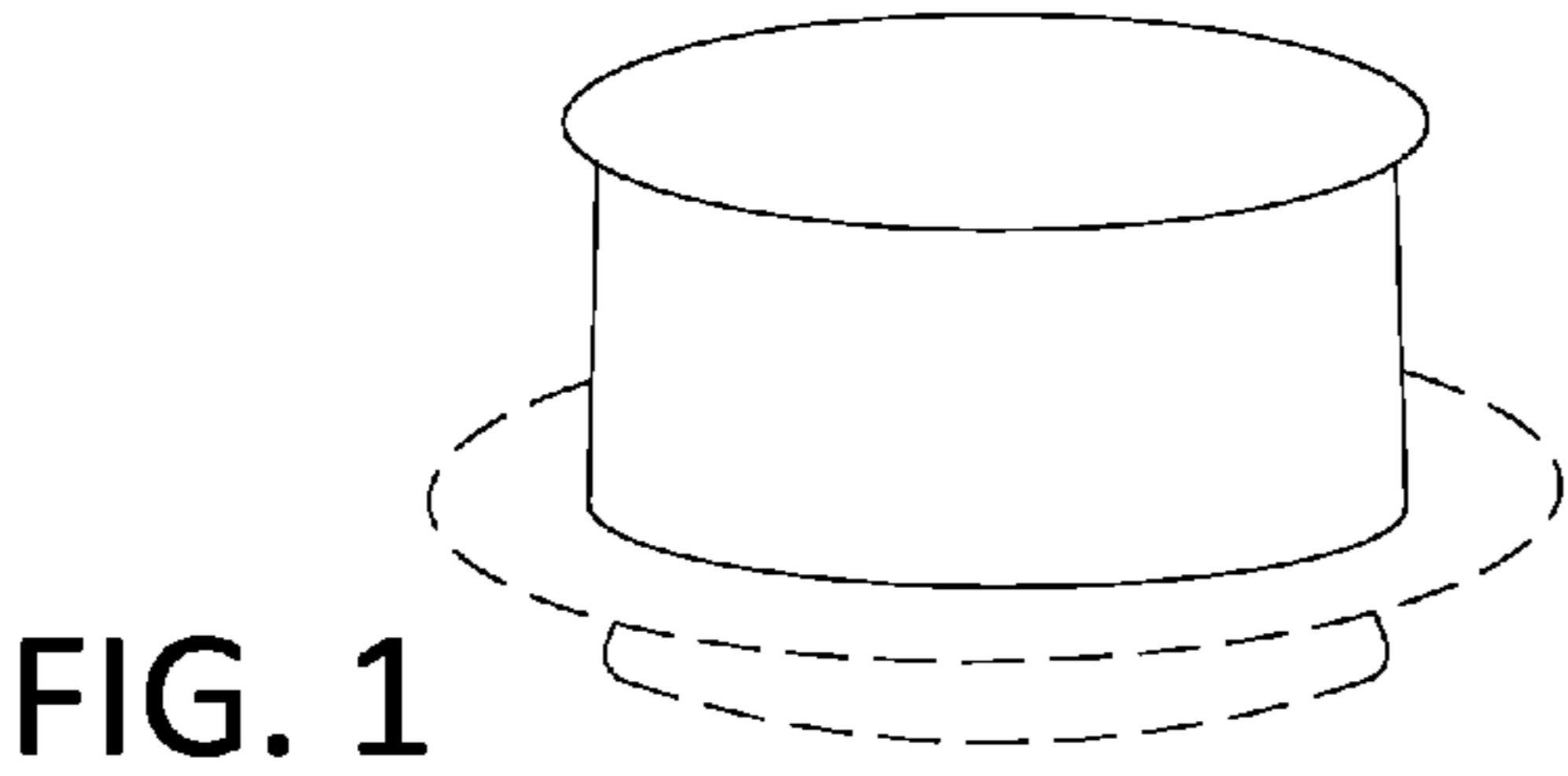


FIG. 1

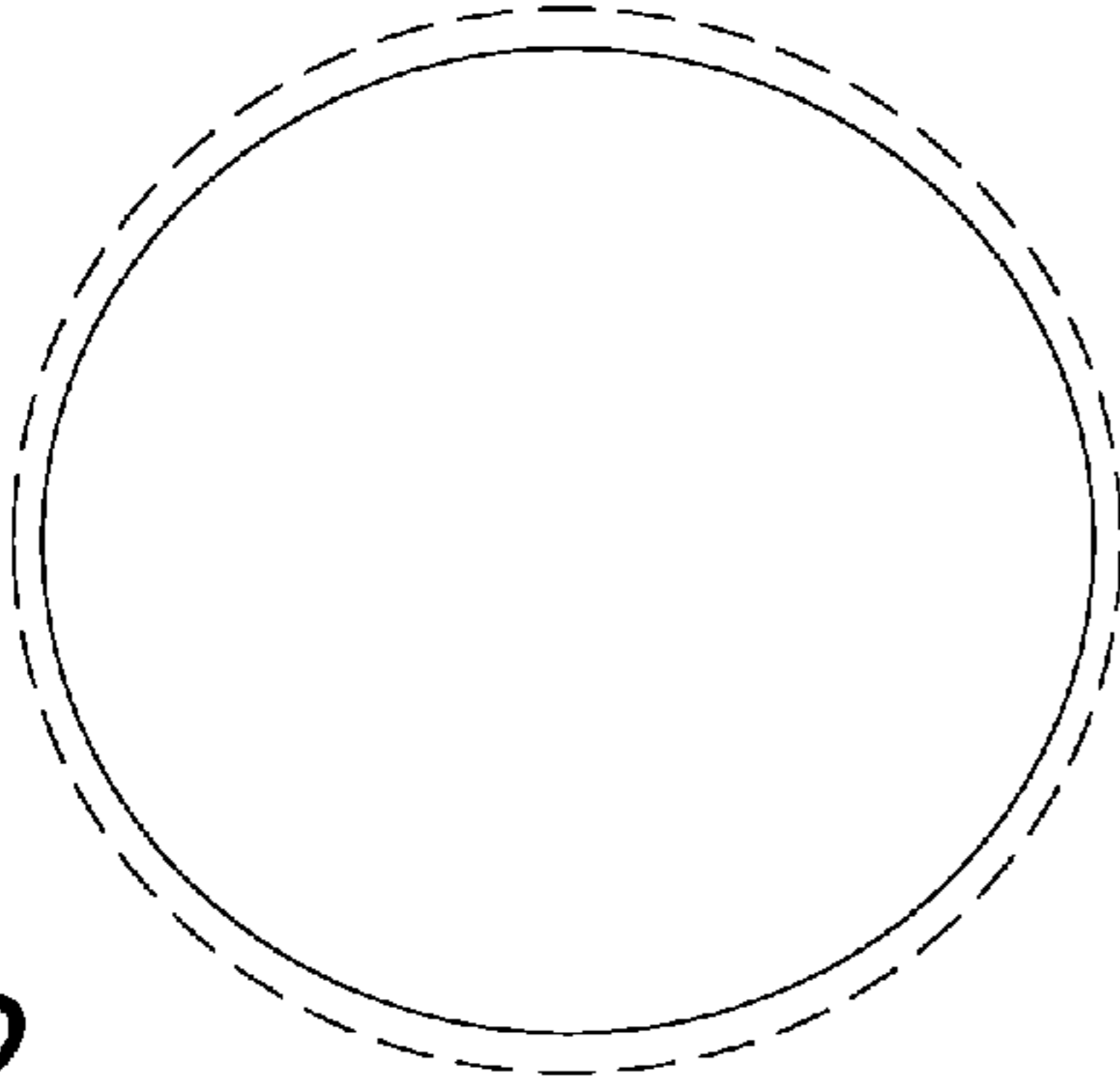


FIG. 2

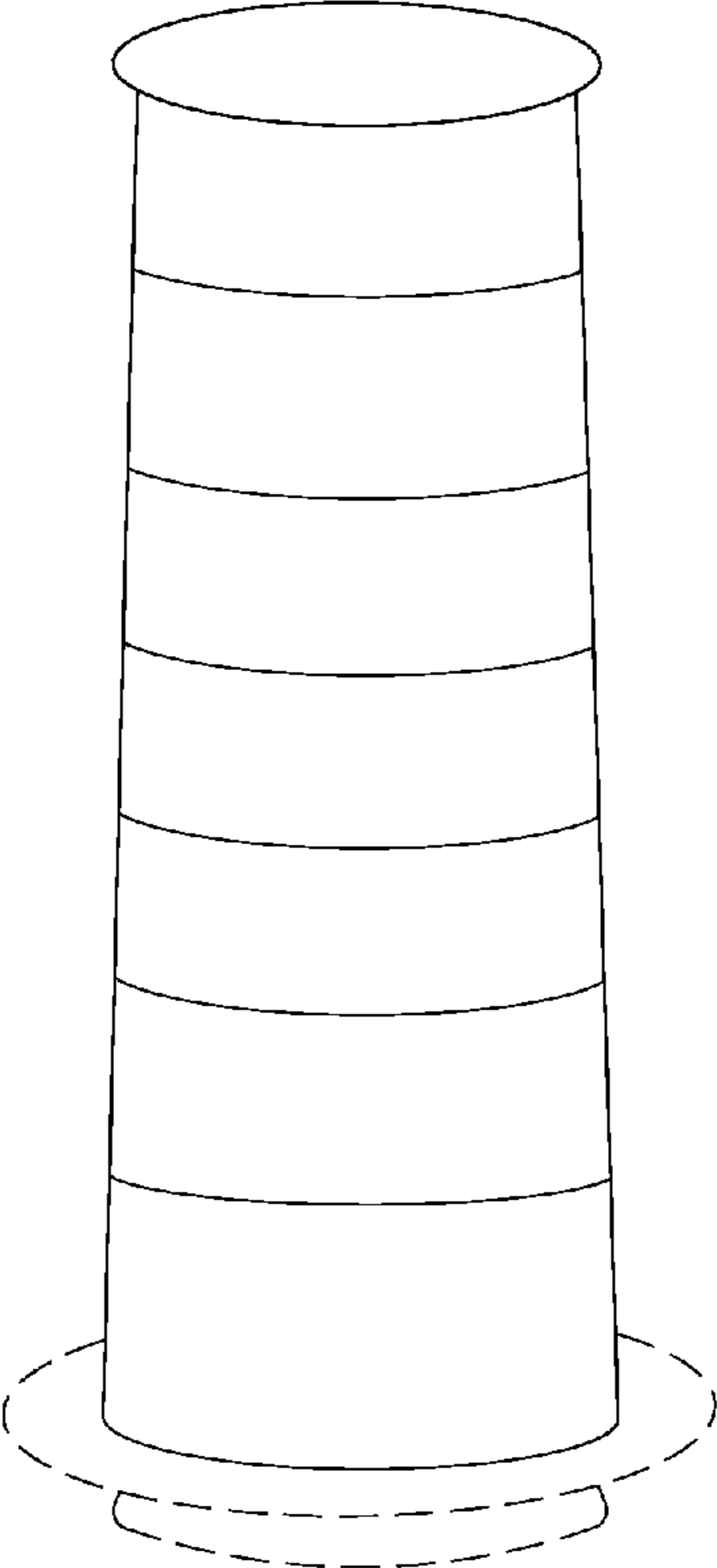


FIG. 3