



US00D706133S

(12) **United States Design Patent**  
**Robinson**

(10) **Patent No.:** **US D706,133 S**

(45) **Date of Patent:** **\*\* Jun. 3, 2014**

(54) **BOTTLE SPRAYER ADAPTER**

(76) Inventor: **Gregory Robinson**, Tonawanda, NY  
(US)

(\*\*) Term: **14 Years**

(21) Appl. No.: **29/427,627**

(22) Filed: **Jul. 20, 2012**

(51) **LOC (10) Cl.** ..... **09-07**

(52) **U.S. Cl.**  
USPC ..... **D9/434**

(58) **Field of Classification Search**  
CPC ..... B65D 47/06; B65D 1/023  
USPC ..... D9/434-436, 440, 445, 447, 449, 450,  
D9/452-454, 448, 516; D7/392.1, 397,  
D7/398; D23/262, 266  
See application file for complete search history.

(56) **References Cited**

U.S. PATENT DOCUMENTS

3,407,954	A	*	10/1968	Millis	.....	215/206
D258,526	S	*	3/1981	Nederman	.....	D23/262
D286,027	S	*	10/1986	Waher et al.	.....	D9/435
4,822,080	A		4/1989	Darish		
D336,431	S	*	6/1993	Bruno et al.	.....	D9/516
D396,007	S	*	7/1998	Palestrant	.....	D9/447
D406,761	S	*	3/1999	Garcia	.....	D9/434
5,957,147	A		9/1999	Hubbell, Jr.		
D437,785	S	*	2/2001	Fan et al.	.....	D9/448

D441,650	S	*	5/2001	Salzburg et al.	.....	D9/434
D447,410	S	*	9/2001	Malmborg	.....	D9/434
6,938,787	B2	*	9/2005	Shinozaki	.....	215/252
D596,486	S	*	7/2009	Pearsall	.....	D9/434
D599,667	S	*	9/2009	Gedmin	.....	D9/516
D614,027	S	*	4/2010	Fallat et al.	.....	D9/442

\* cited by examiner

*Primary Examiner* — Susan Bennett Hattan

*Assistant Examiner* — Brett Miller

(74) *Attorney, Agent, or Firm* — Vincent G. LoTempio;  
David T. Stephenson; Kloss, Stenger & LoTempio

(57) **CLAIM**

The ornamental design for a bottle-sprayer adapter, as shown and described.

**DESCRIPTION**

FIG. 1 is a front view of the bottle-sprayer adapter with environment;

FIG. 2 is a front view of my design;

FIG. 3 is a perspective view of my design;

FIG. 4 is a rear view of my design;

FIG. 5 is a top view of my design;

FIG. 6 is a cross-sectional view of my design taken generally along line 6-6 of FIG. 5;

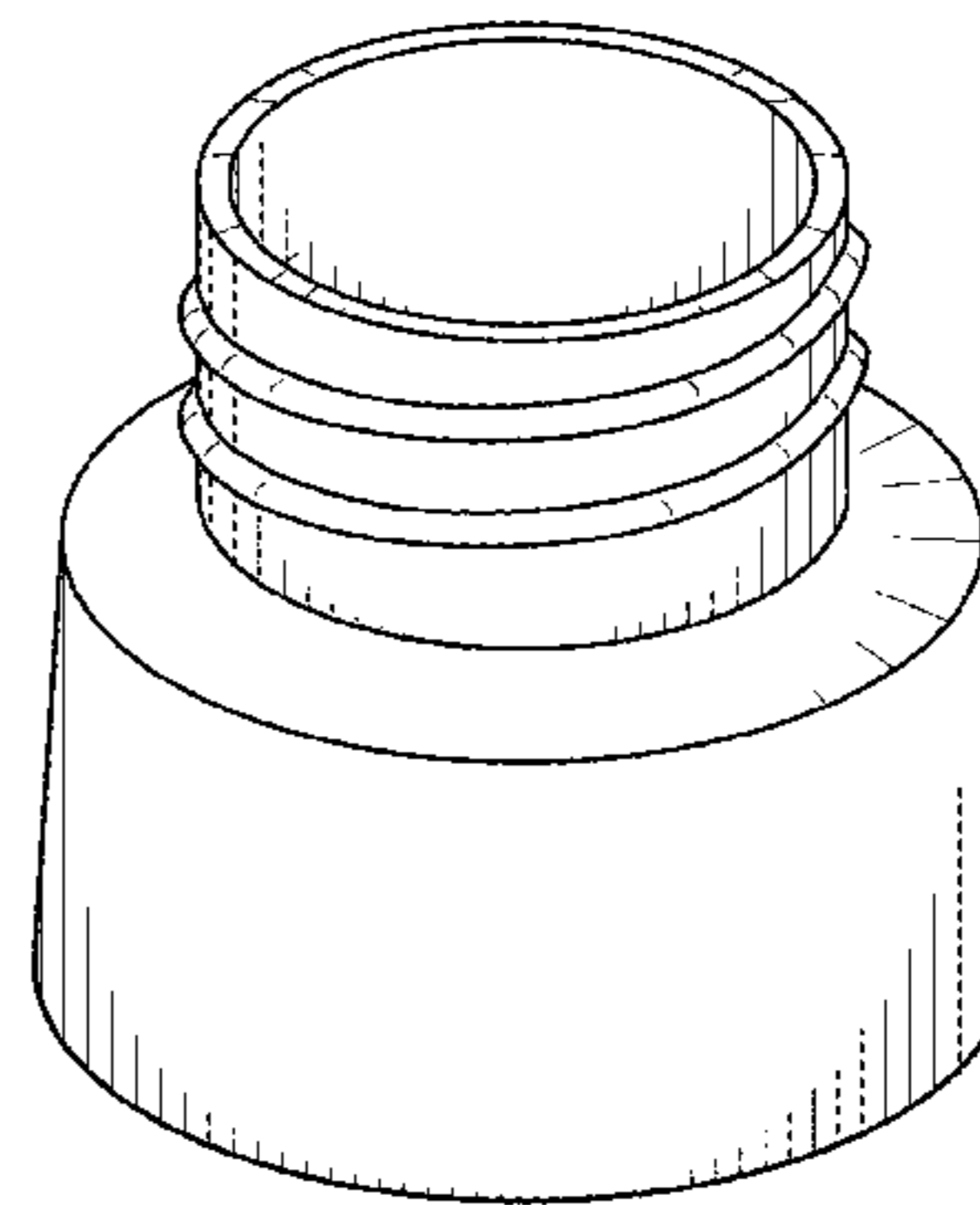
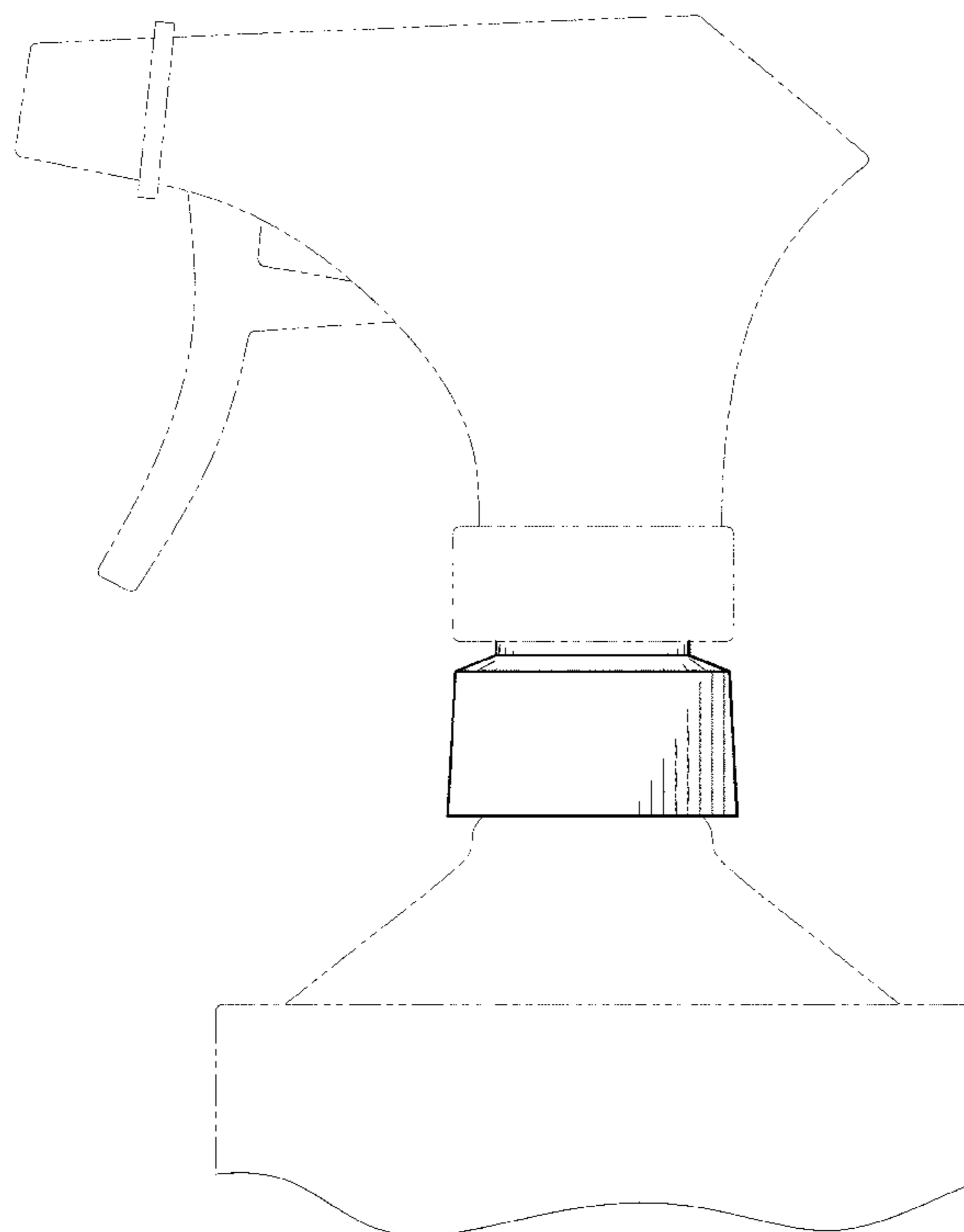
FIG. 7 is a bottom view of my design;

FIG. 8 is a left view of my design; and,

FIG. 9 is a right view of my design.

The broken lines depict environmental structures of the bottle and sprayer and form no part of the claimed invention.

**1 Claim, 5 Drawing Sheets**



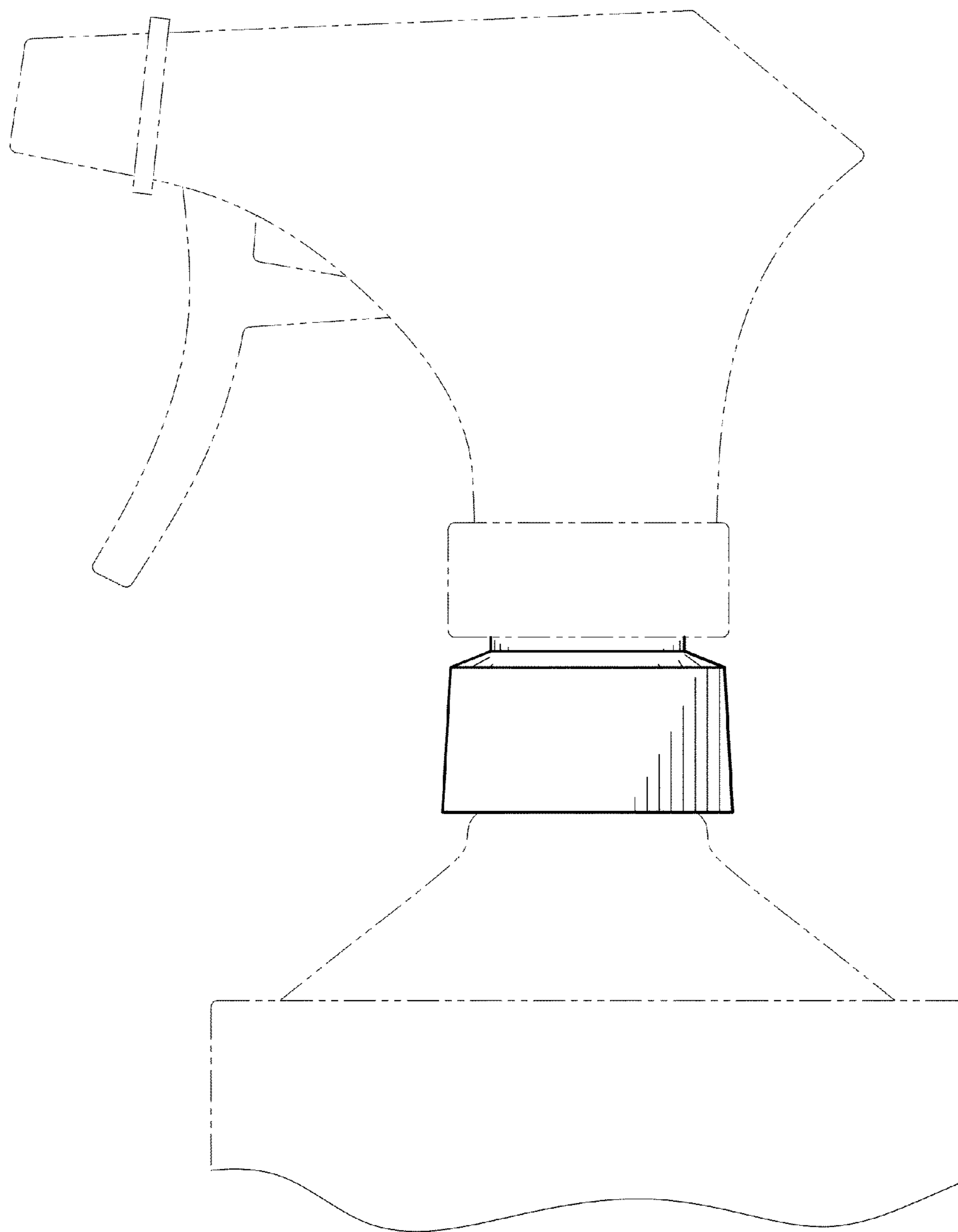


FIG. 1

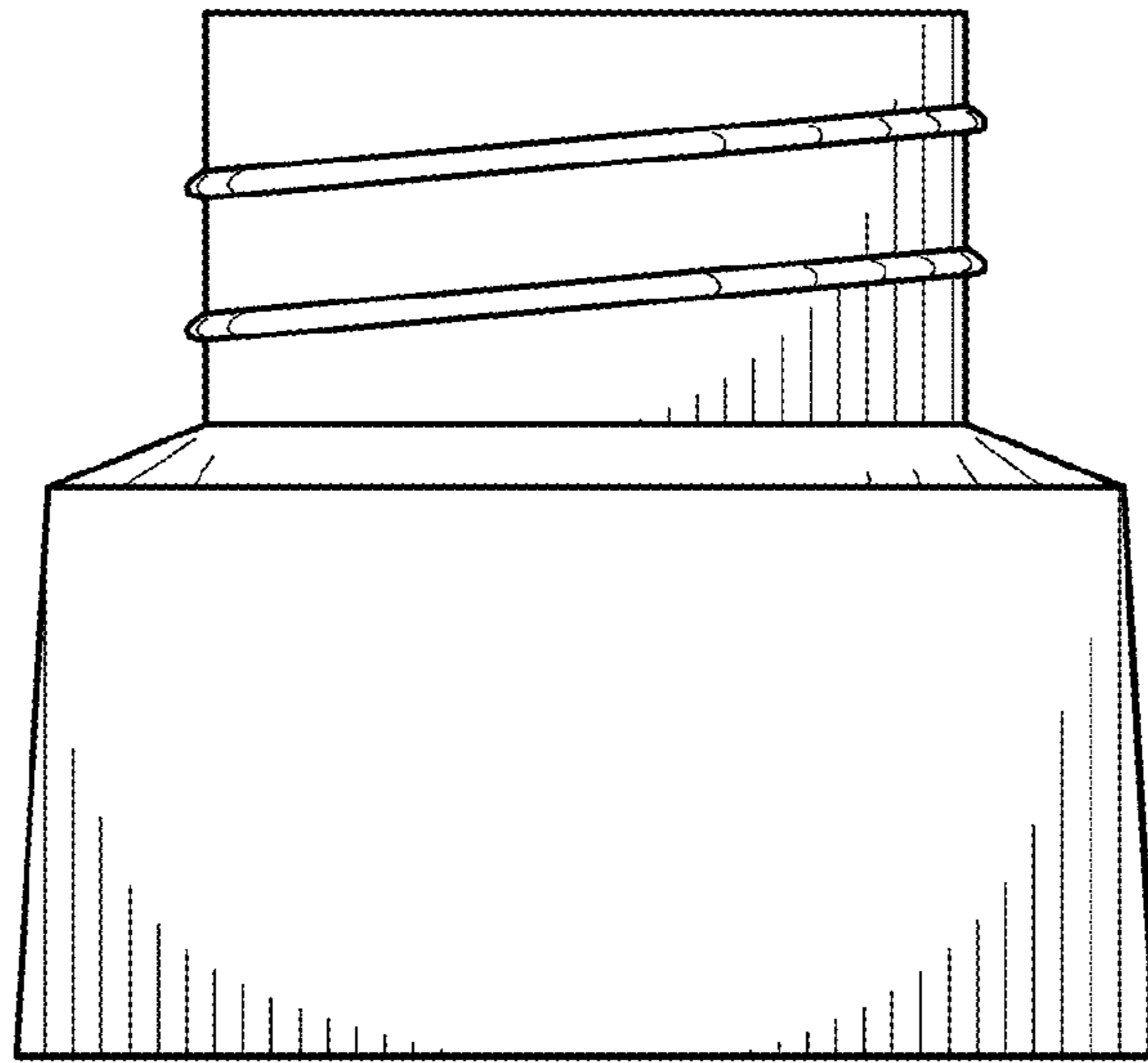


FIG. 2

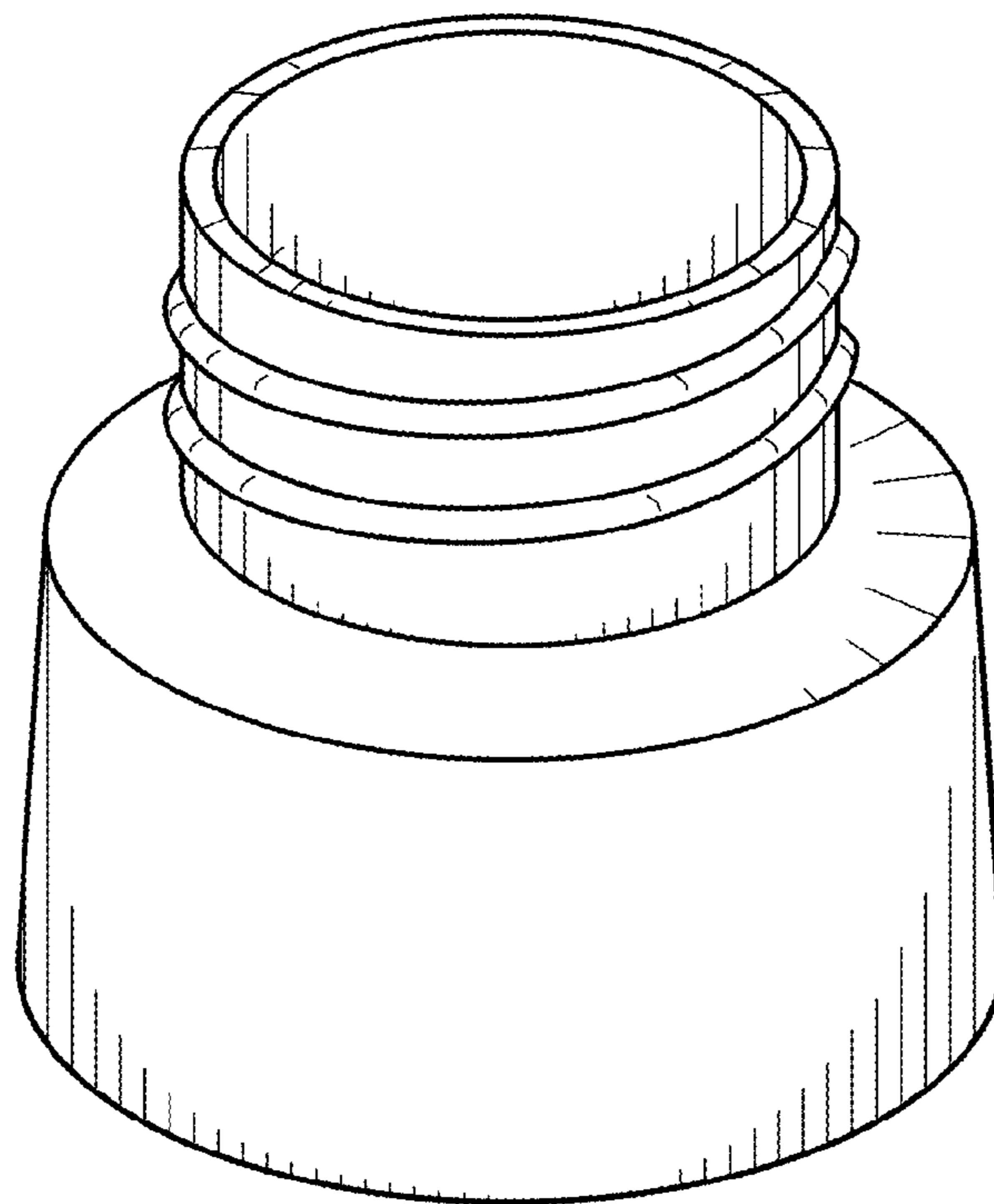


FIG. 3

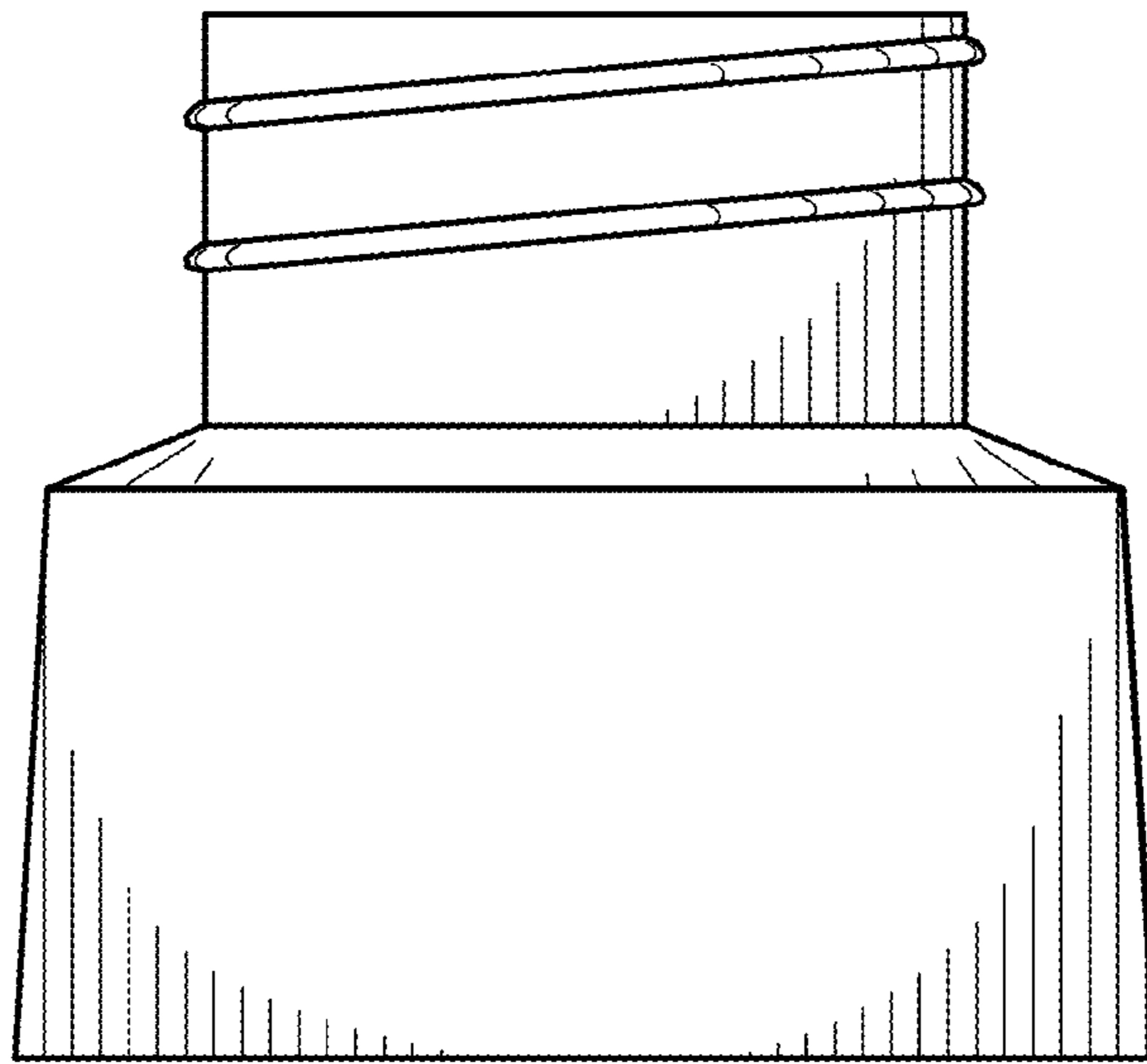


FIG. 4

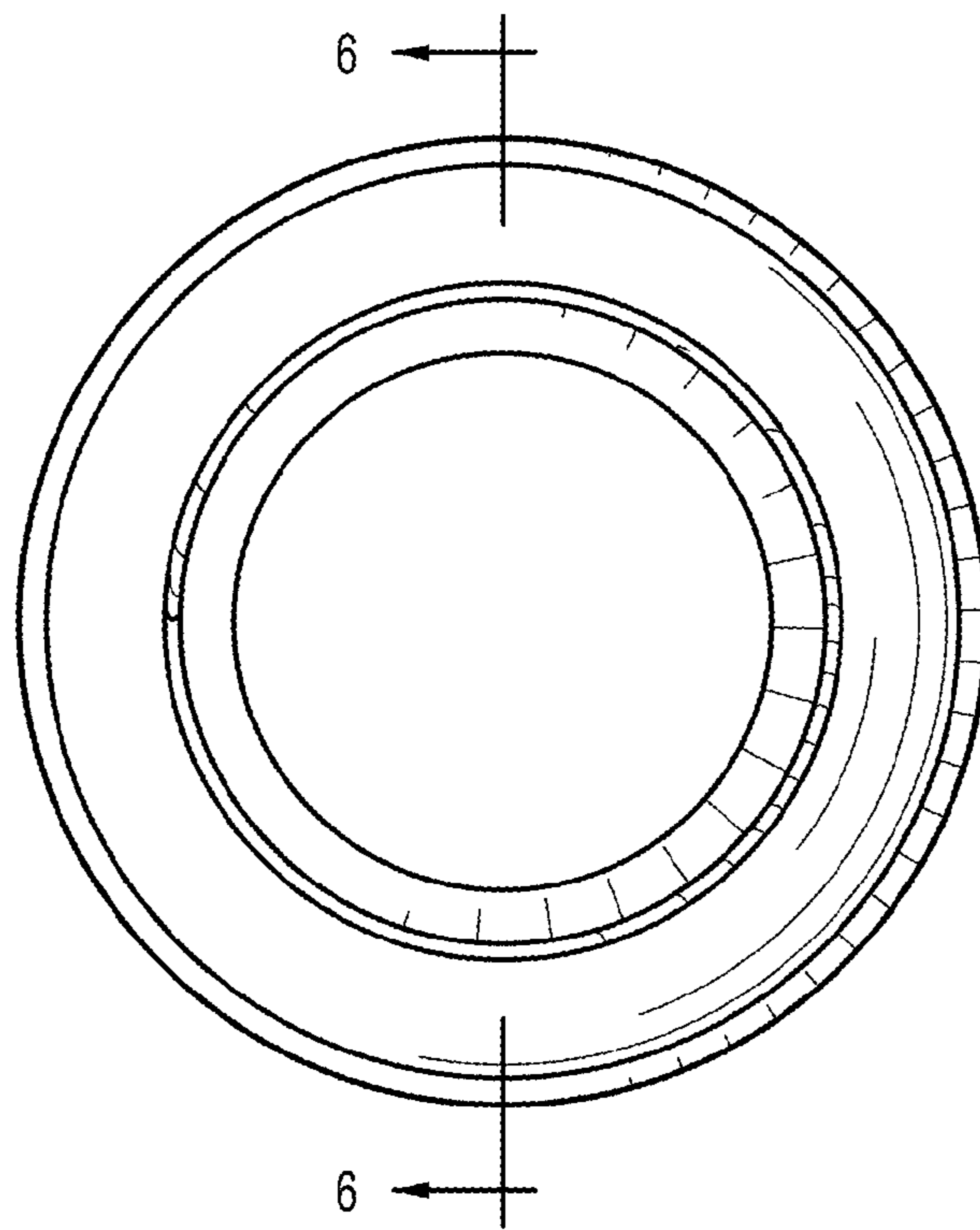


FIG. 5

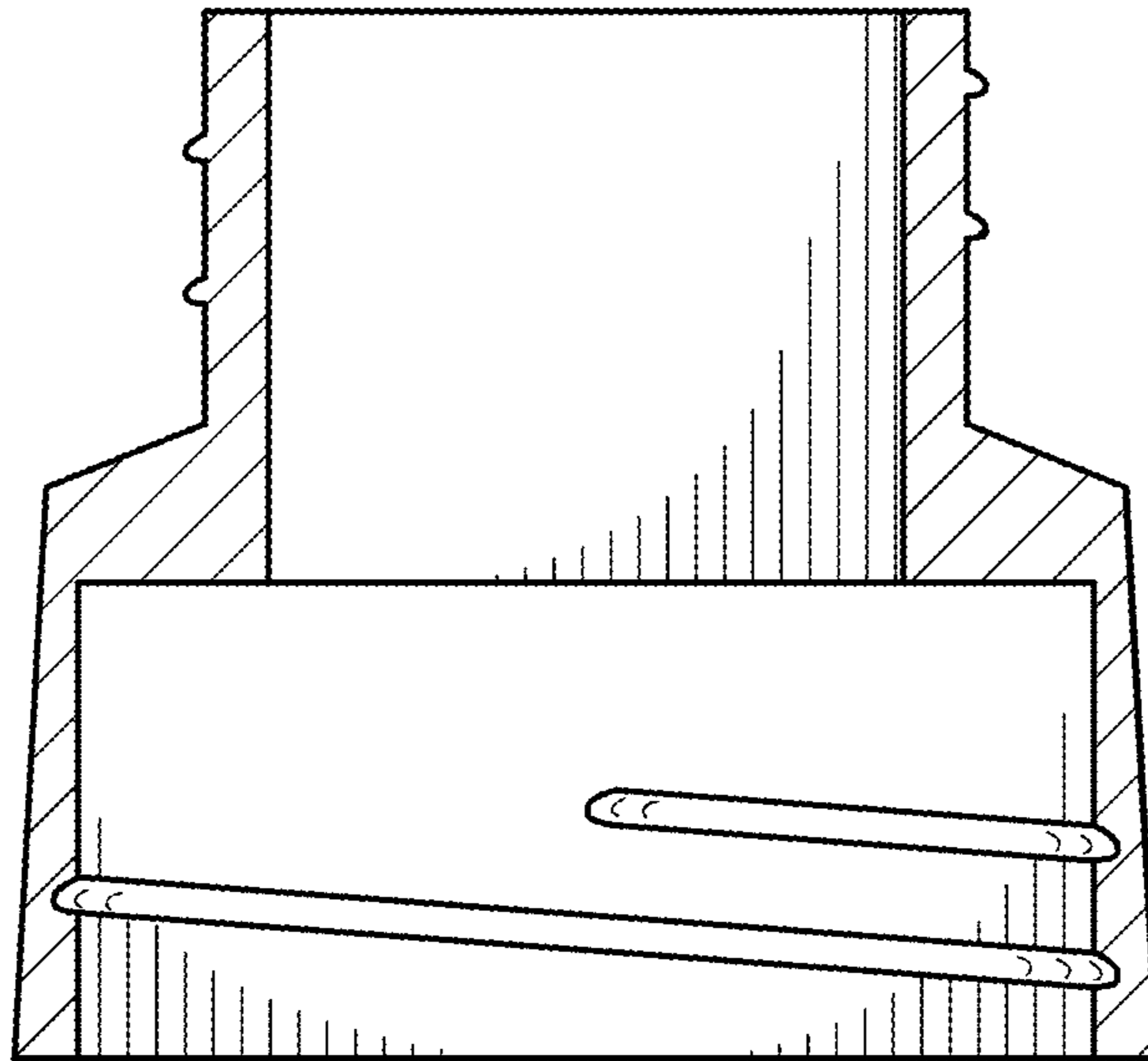


FIG. 6

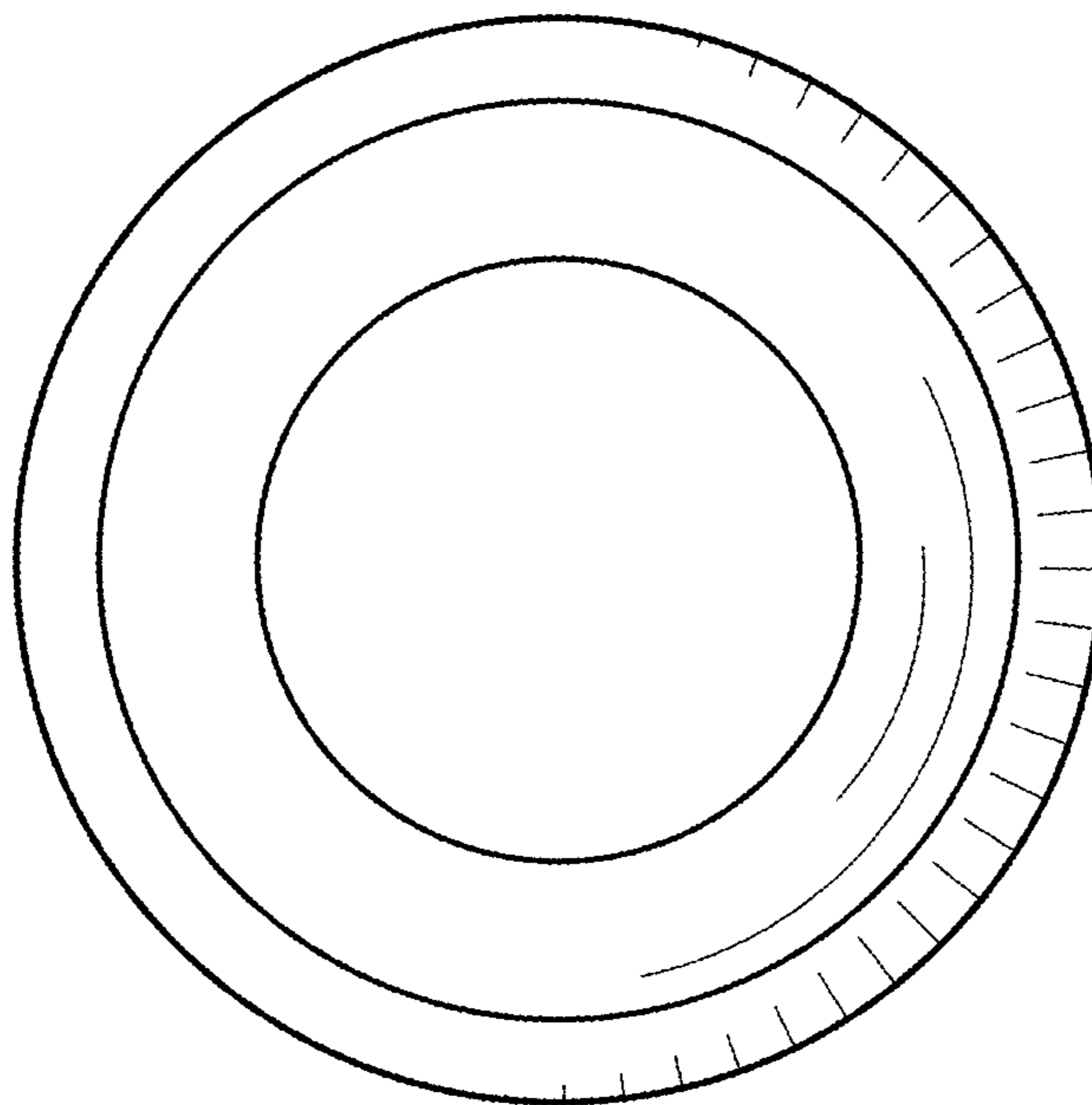


FIG. 7

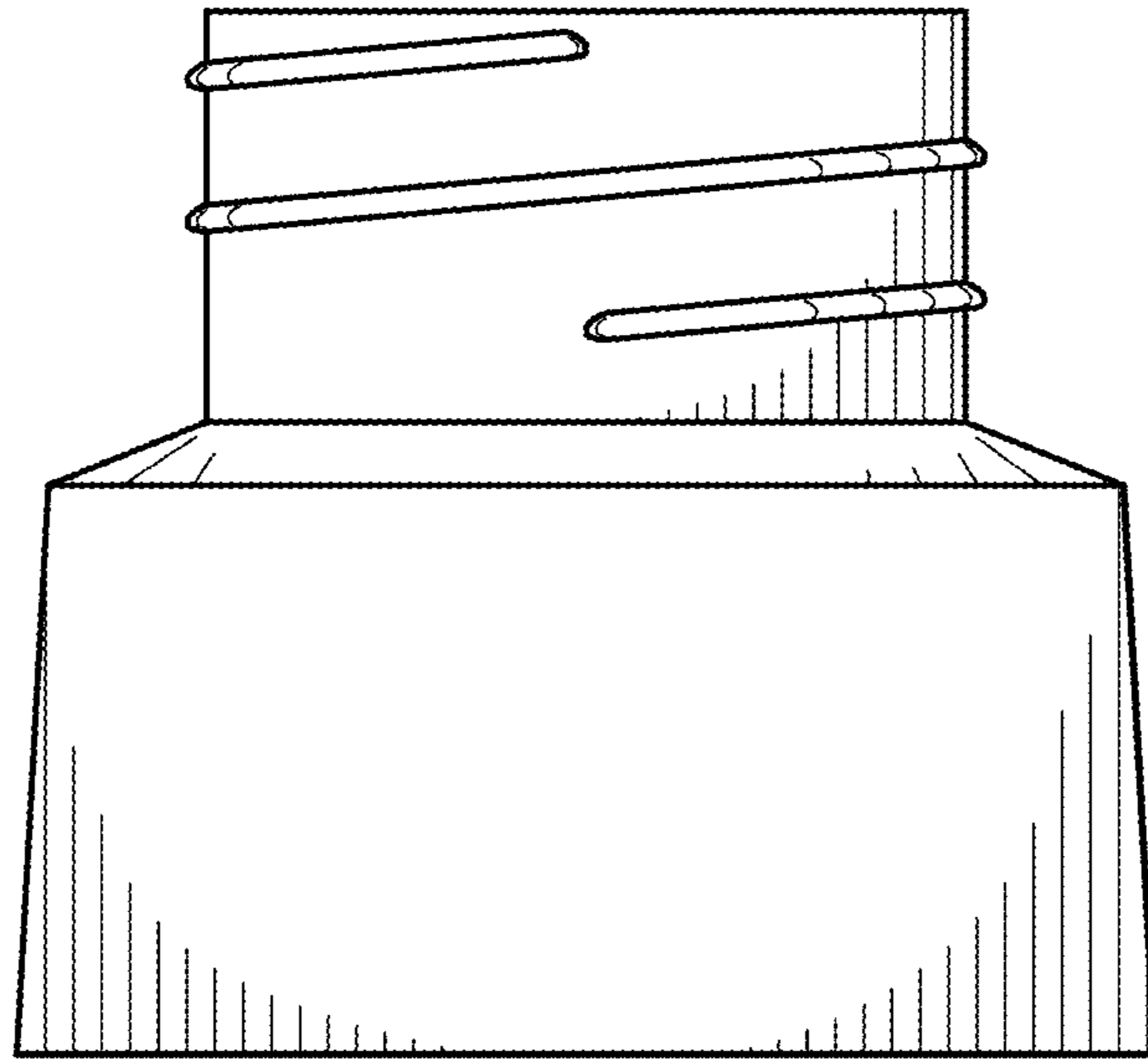


FIG. 8

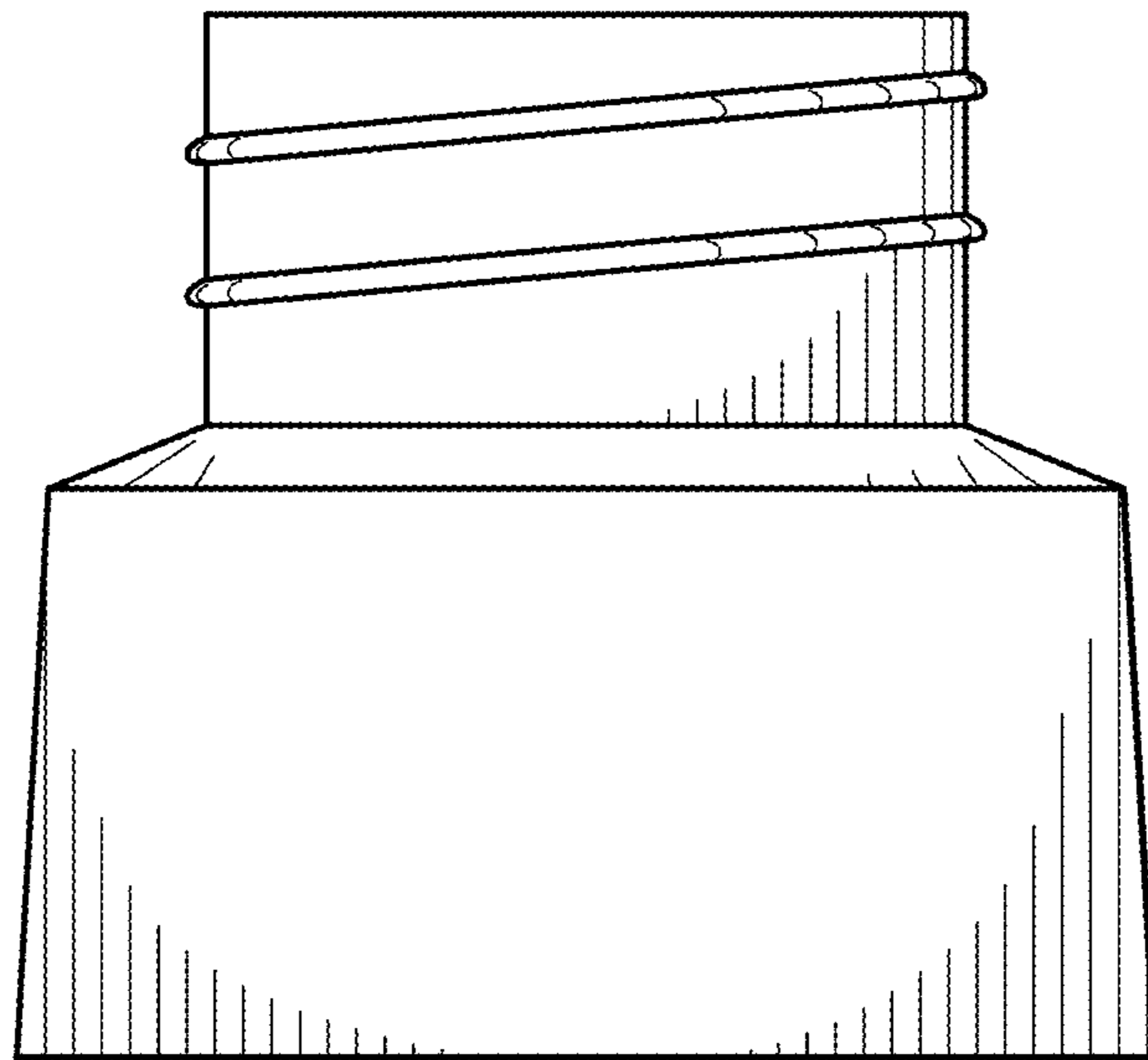


FIG. 9