



US00D706132S

(12) **United States Design Patent**  
**Sill**

(10) **Patent No.:** **US D706,132 S**  
(45) **Date of Patent:** **\*\* \*Jun. 3, 2014**

(54) **CLOSEABLE CARTON**  
(75) Inventor: **Jonathan D. Sill**, Powell, OH (US)  
(73) Assignee: **Inno-Pak, LLC**, Delaware, OH (US)  
(\* ) Notice: This patent is subject to a terminal disclaimer.  
(\*\*) Term: **14 Years**

2,793,801 A 5/1957 Papadopoulos  
2,805,813 A 9/1957 Rittmueller  
2,838,222 A 6/1958 Papadopoulos  
D190,772 S 6/1961 Cuyler  
D191,145 S 8/1961 Casareo  
3,019,960 A 2/1962 Vaughan-Parks  
3,346,399 A \* 10/1967 Watson et al. .... 426/111  
3,547,339 A 12/1970 Bruce  
D242,901 S 1/1977 Lohrbach  
4,002,288 A 1/1977 Klupt  
4,105,155 A 8/1978 Forbes, Jr.  
4,238,069 A 12/1980 Morris, Jr.

(Continued)

(21) Appl. No.: **29/418,607**  
(22) Filed: **Apr. 18, 2012**  
(51) **LOC (10) Cl.** ..... **09-03**  
(52) **U.S. Cl.**  
USPC ..... **D9/432**  
(58) **Field of Classification Search**  
USPC ..... D9/430-435, 414, 418, 420-424;  
D3/272, 273, 302; 206/267, 269, 270,  
206/273, 299, 737, 740, 822; 229/100, 101,  
229/101.3, 106, 108-112, 124, 125, 162.1,  
229/165, 172, 182.1, 183, 185, 200, 210,  
229/221, 406, 407; D7/601, 602  
See application file for complete search history.

Primary Examiner — Susan Bennett Hattan  
Assistant Examiner — Vy Koenig  
(74) *Attorney, Agent, or Firm* — Ward and Smith, P.A.

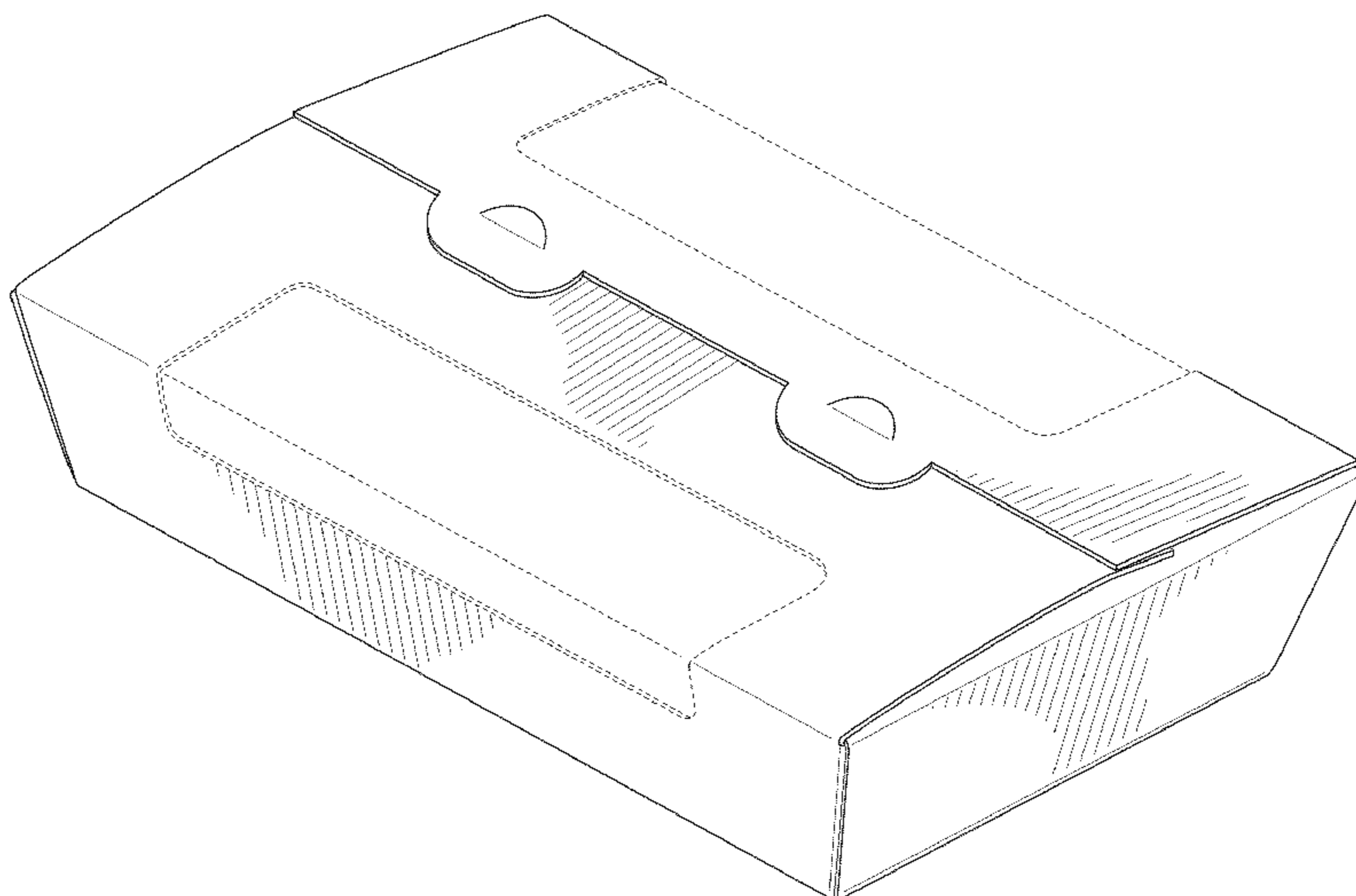
(57) **CLAIM**  
The ornamental design for a closeable carton, as shown and described.

**DESCRIPTION**

FIG. 1 is a perspective view of a closeable carton showing a new design;  
FIG. 2 is a left side elevation view thereof, the right side being a mirror image;  
FIG. 3 is a front elevation view thereof;  
FIG. 4 is a rear elevation view thereof;  
FIG. 5 is a top plan view thereof;  
FIG. 6 is a bottom plan view thereof;  
FIG. 7 is a cross-section view taken on line 7-7 of FIG. 5;  
FIG. 8 is a cross-section view taken on line 8-8 of FIG. 5;  
FIG. 9 is another perspective view thereof, showing the closeable carton in an alternate open configuration; and,  
FIG. 10 is another top plan view thereof, showing the closeable carton in an alternate blank configuration.  
The dashed lines shown in the drawings are for environmental purposes only and form no part of the claimed design.

(56) **References Cited**  
**U.S. PATENT DOCUMENTS**  
1,135,742 A 4/1915 Voris  
1,474,879 A 11/1923 Ayres  
1,923,774 A \* 8/1933 Coyle ..... 229/198.1  
1,991,165 A 2/1935 Lockett  
2,034,809 A 3/1936 Grant  
2,091,664 A 8/1937 Walsh  
D106,826 S 11/1937 Dieffenbach  
2,118,821 A 5/1938 Ringler  
D136,489 S 10/1943 Geffner  
2,572,610 A 10/1951 Gilbert  
2,644,633 A 7/1953 Stopper  
2,666,414 A 1/1954 Burr et al.  
2,728,485 A 12/1955 Howard

**1 Claim, 8 Drawing Sheets**



(56)

**References Cited**

U.S. PATENT DOCUMENTS

D259,615 S	6/1981	Morris, Jr.	D578,876 S	10/2008	Ambelang et al.	
4,375,846 A	3/1983	Nauheimer	D600,110 S	9/2009	Cain	
D273,179 S	3/1984	Shore	D622,139 S	8/2010	Marcott et al.	
D282,720 S	2/1986	Borg	D631,743 S	2/2011	Hubbard et al.	
D292,487 S	10/1987	Kea	D640,128 S	6/2011	Harshman	
5,411,204 A	5/1995	DeMay	D651,076 S	12/2011	Van Berlo	
5,494,214 A	2/1996	Fleury et al.	D664,429 S	7/2012	Arrigo	
D385,187 S	10/1997	Loft	D669,352 S	10/2012	Paslawski	
5,853,121 A	12/1998	Francisco	D674,690 S	1/2013	Sill	
D418,751 S	1/2000	Wolf	D675,092 S	1/2013	Sill	
D437,554 S	2/2001	Milton	D675,520 S	2/2013	Sill	
D442,859 S	5/2001	Hirschey	D675,920 S	2/2013	Sill	
D447,685 S	9/2001	Chagnon et al.	D678,760 S	3/2013	Cooper	
D462,903 S	9/2002	Yuen	D678,761 S	3/2013	Cooper	
D497,309 S	10/2004	Nordland et al.	D678,762 S	3/2013	Cooper	
D502,646 S	3/2005	Postulka	D678,779 S	3/2013	Lee	
D516,421 S	3/2006	Girondi et al.	D679,950 S	4/2013	Cooper	
7,255,261 B2	8/2007	Mesly	D684,465 S *	6/2013	Vernon et al. ....	D9/432
D570,210 S	6/2008	McGrath	D684,858 S	6/2013	Sill	
D576,482 S	9/2008	DeBusk	D693,215 S *	11/2013	Sill .....	D9/418
			2003/0217946 A1	11/2003	Hsu	
			2005/0150788 A1	7/2005	Feusner	
			2008/0087679 A1	4/2008	Cook et al.	

\* cited by examiner

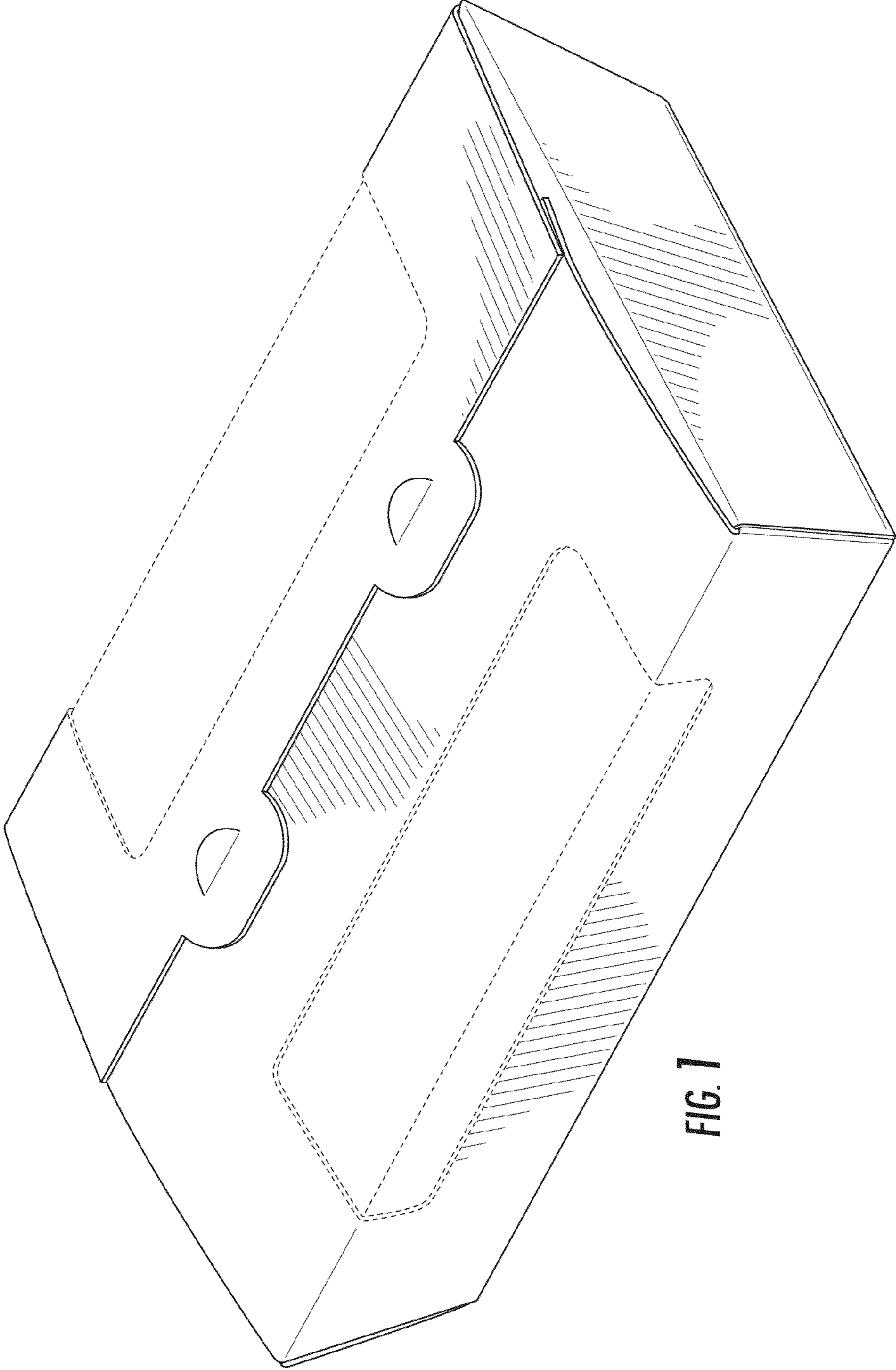
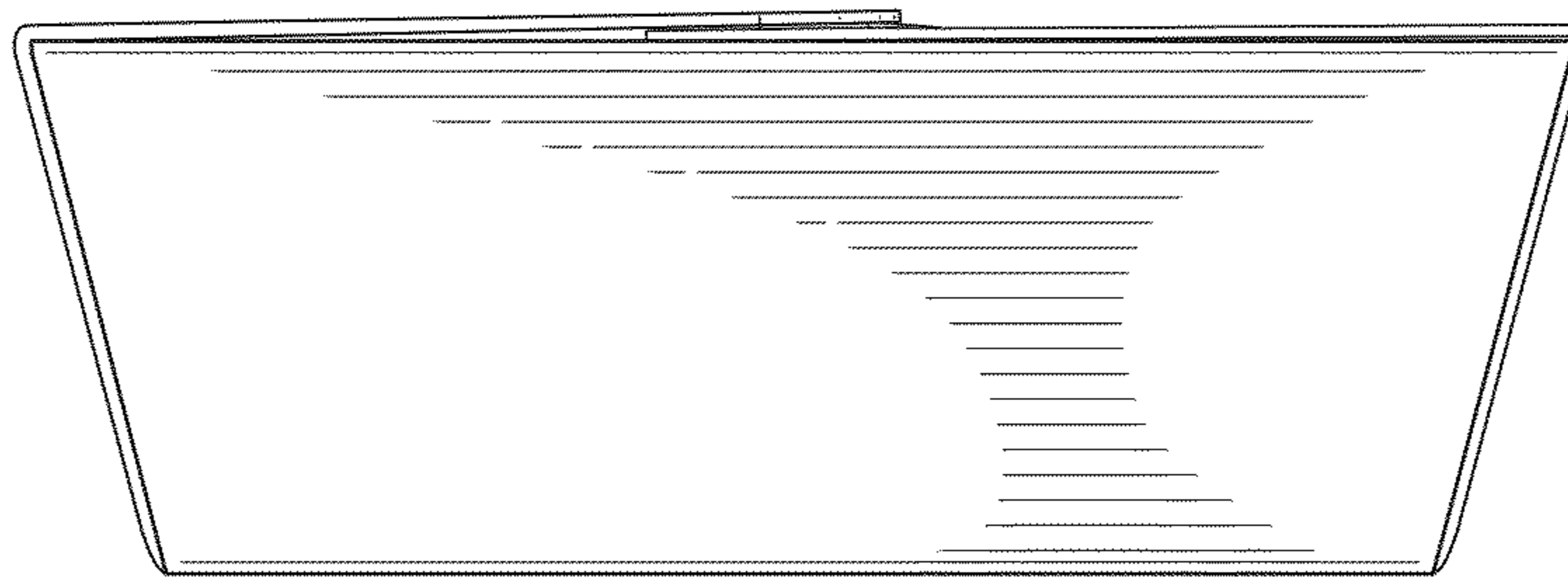


FIG. 1



**FIG. 2**



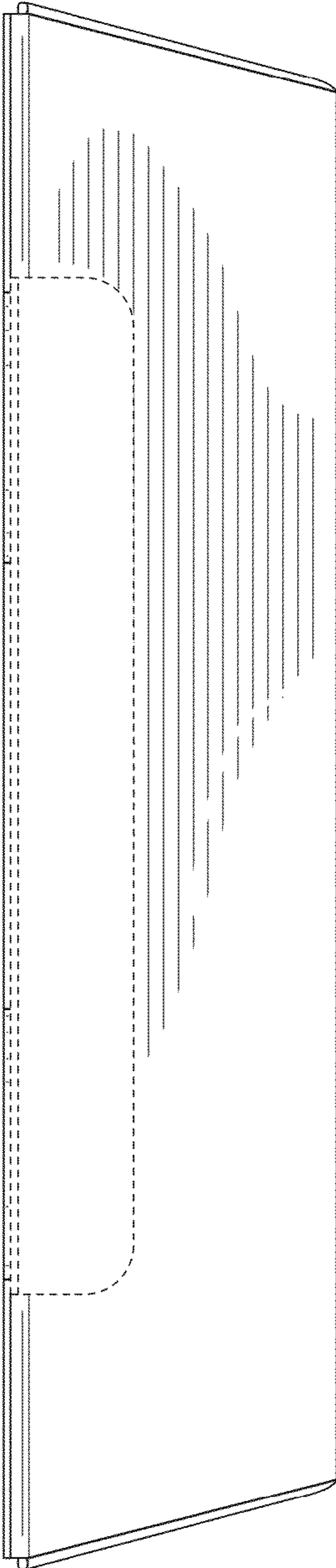


FIG. 3

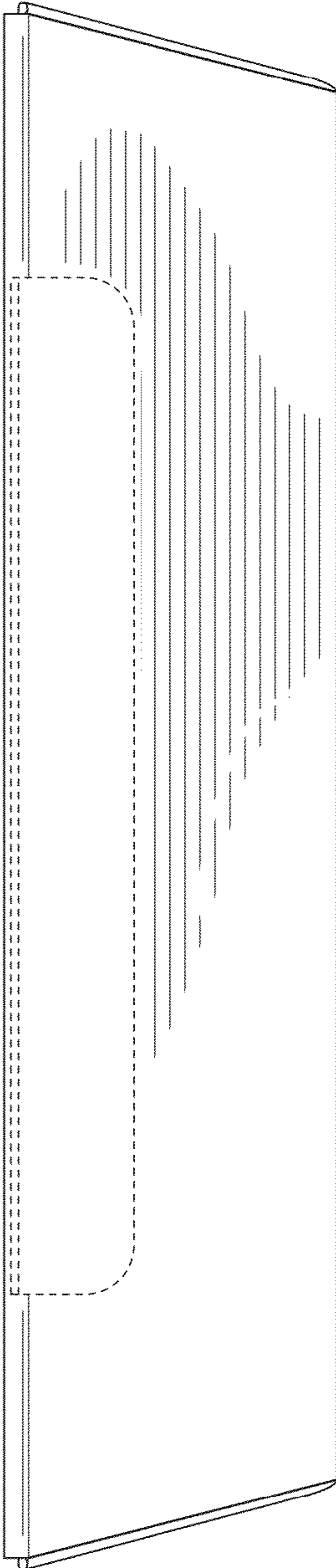


FIG. 4

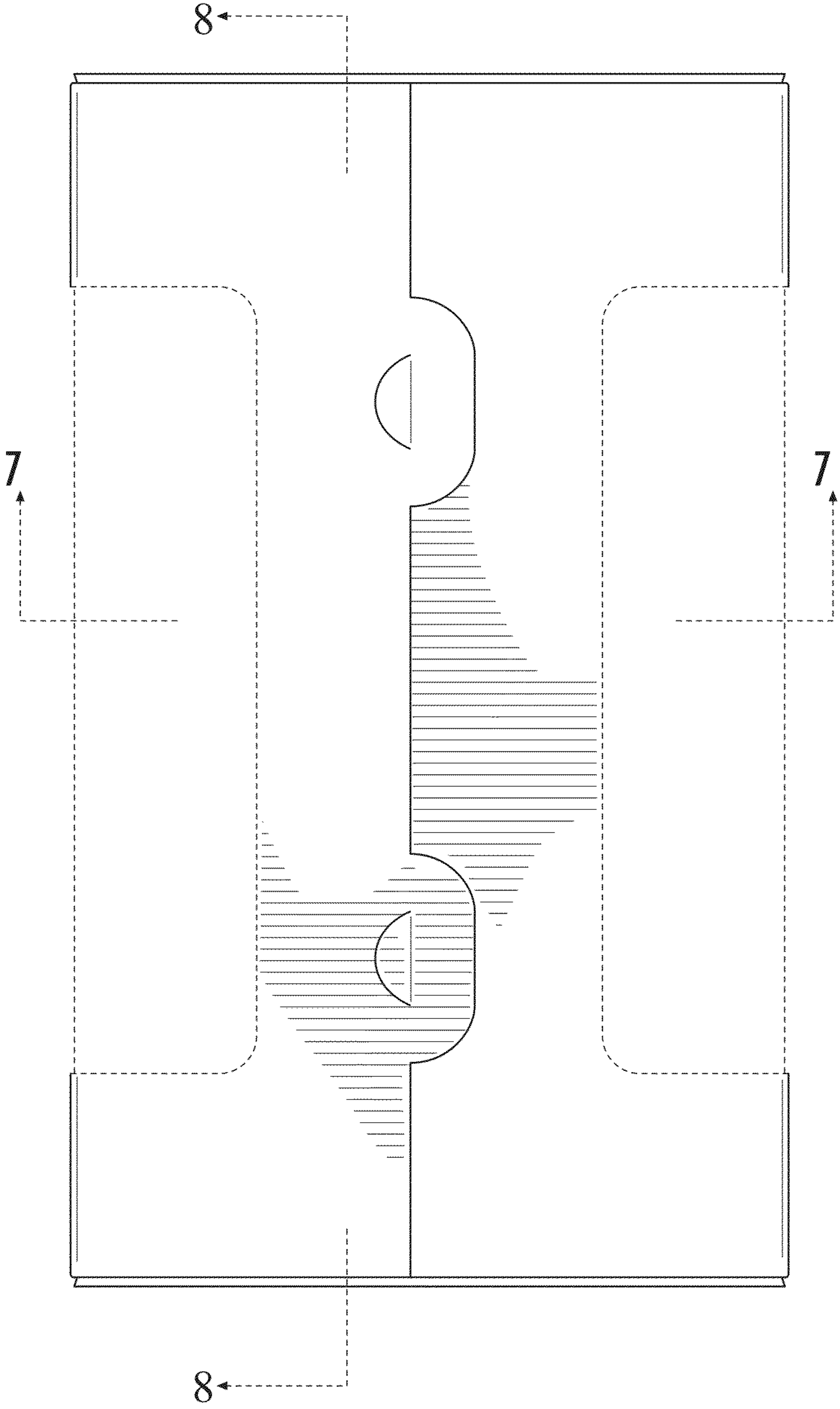
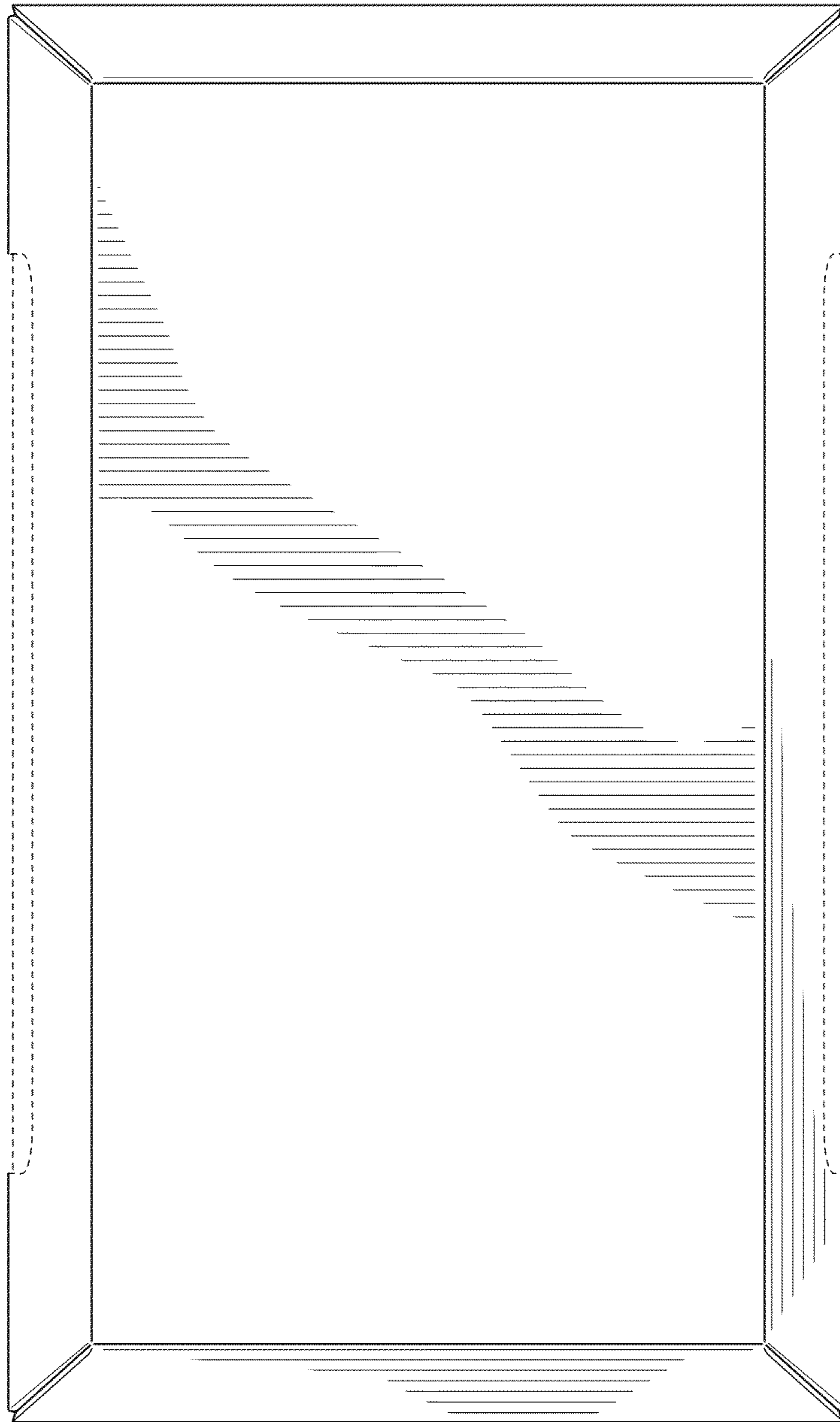


FIG. 5



**FIG. 6**

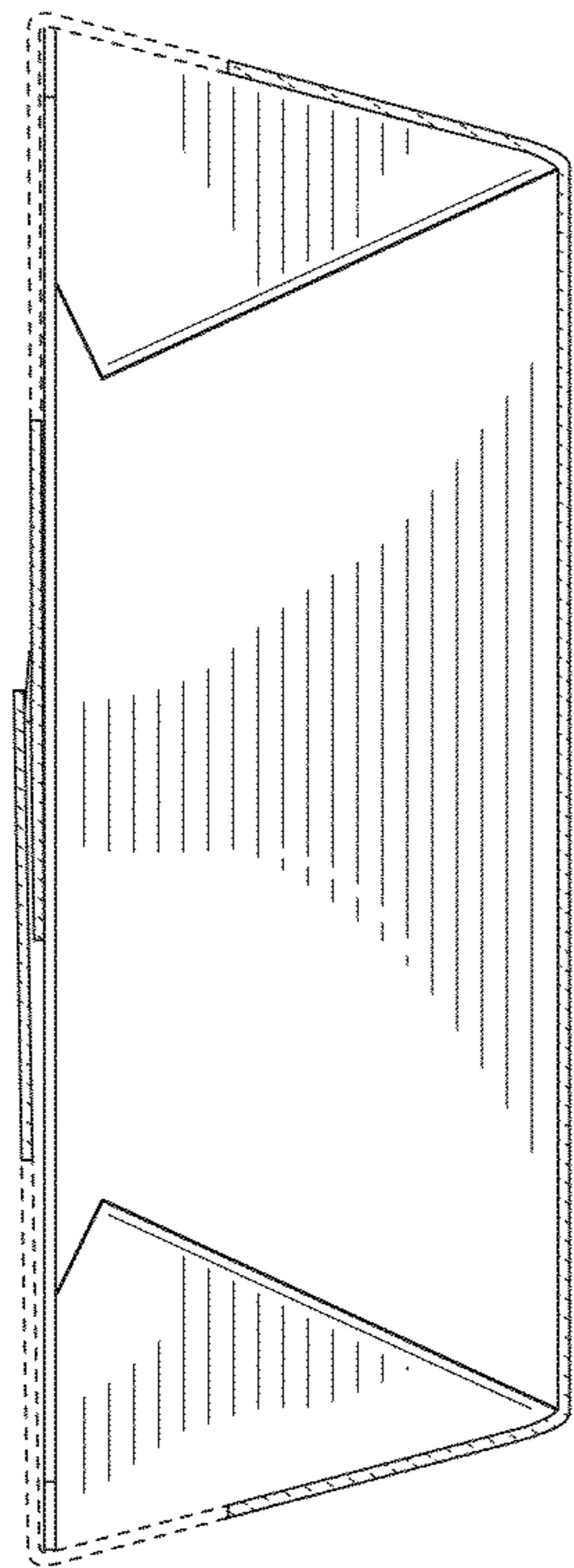


FIG. 7

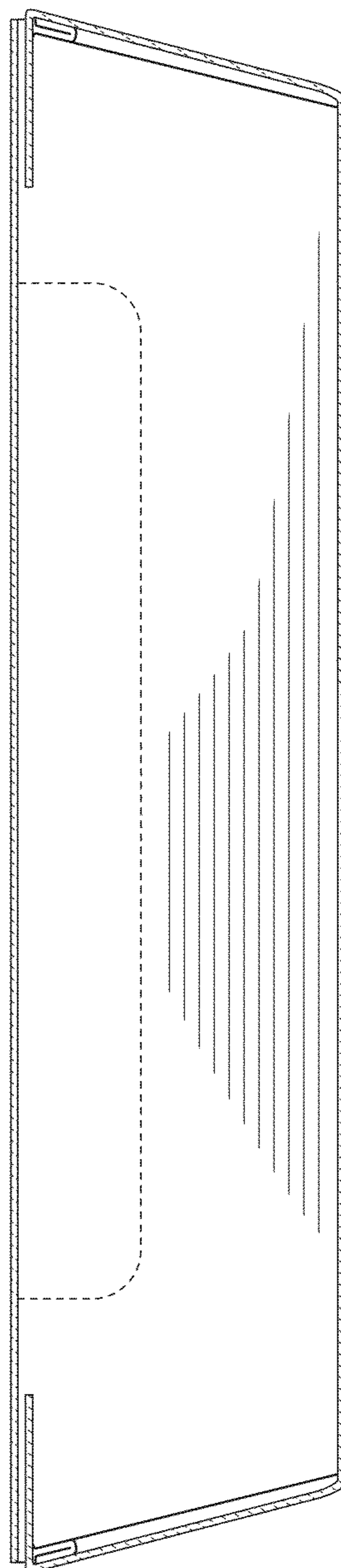


FIG. 8



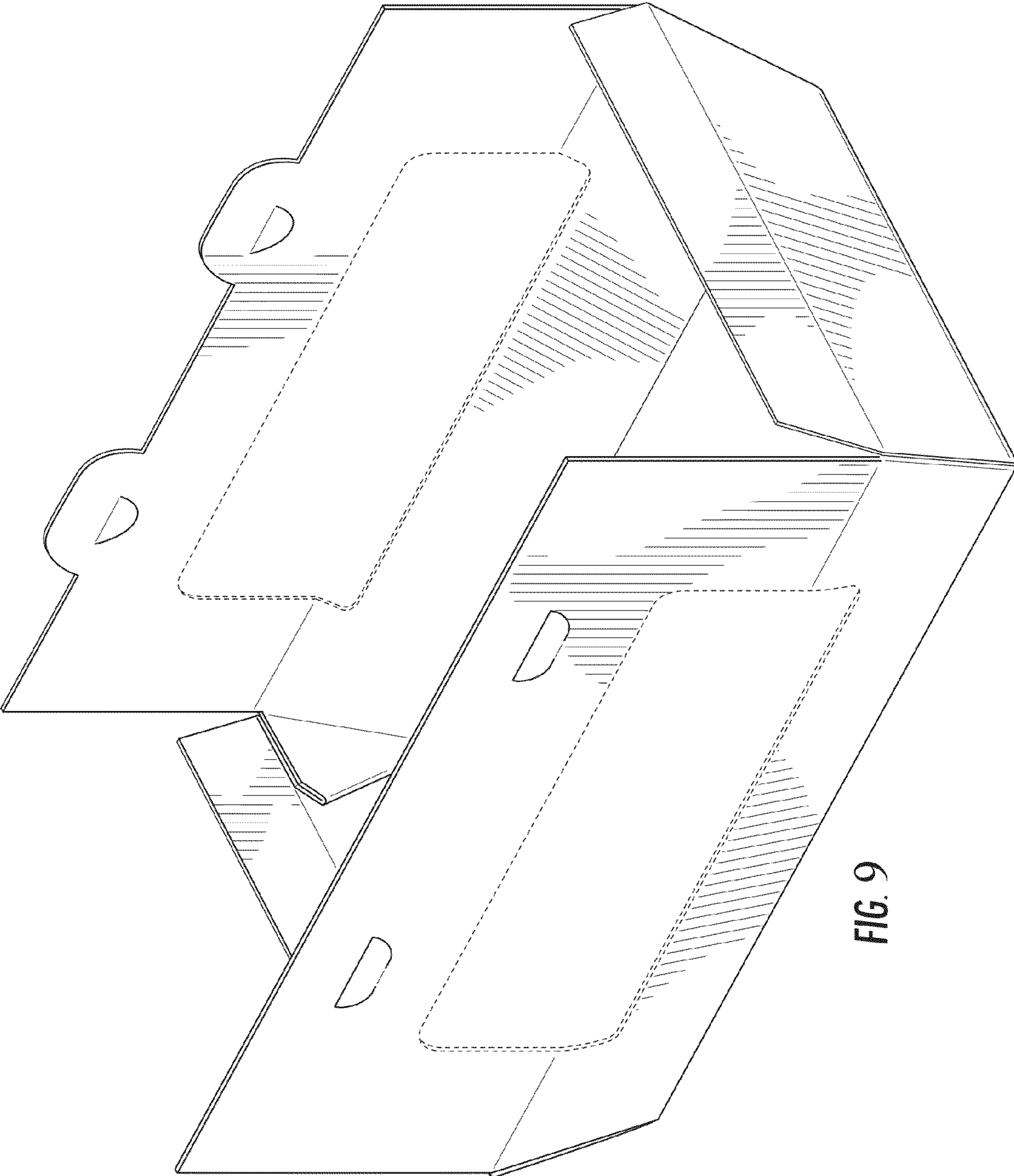


FIG. 9

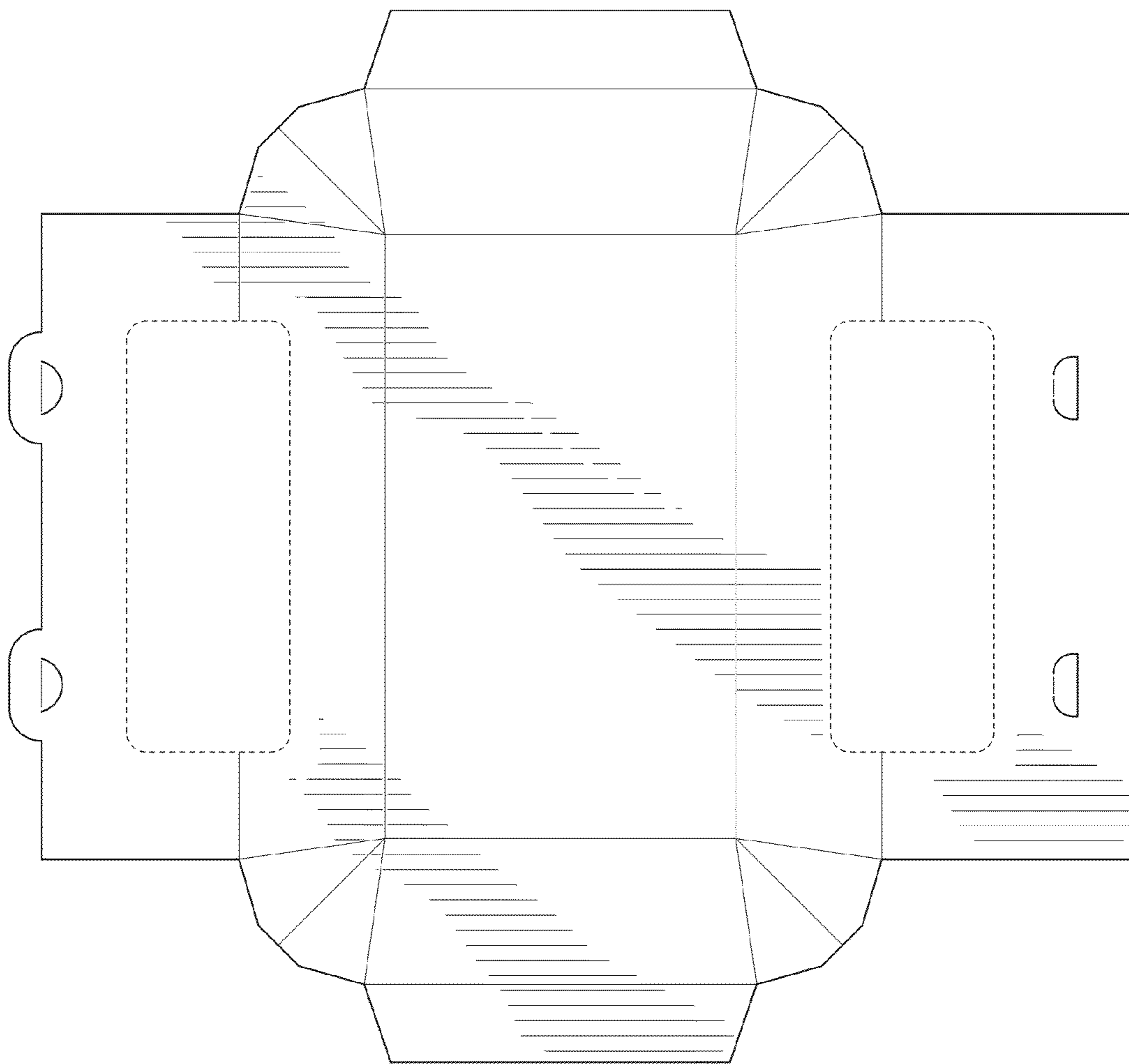


FIG. 10