



US00D706131S

(12) **United States Design Patent**
Brooks et al.

(10) **Patent No.:** **US D706,131 S**
(45) **Date of Patent:** **** Jun. 3, 2014**

- (54) **CONTAINER**
- (75) Inventors: **TaMara V. Brooks**, Chicago, IL (US);
Brant P. Wheaton, Chicago, IL (US);
Adam Butler, Chicago, IL (US);
Leonard Michael Martinez, Crystal
Lake, IL (US); **Nicolas Bouveret**,
Mirabel (CA)
- (73) Assignee: **Kraft Foods Group Brands LLC**,
Northfield, IL (US)

3,070,257 A	12/1962	Bojanowski	
D198,057 S *	4/1964	Swett	D7/629
3,384,265 A	5/1968	Frank	
3,409,123 A	11/1968	McCormick	
3,421,654 A	1/1969	Hexel	
3,424,342 A	1/1969	Scopp et al.	
3,447,714 A	6/1969	Elliot	
3,448,888 A *	6/1969	Collie et al.	220/781
3,452,896 A	7/1969	Elliot	
D215,413 S *	9/1969	Donovan	D9/425
3,504,823 A	4/1970	Logomasini	
3,516,571 A	6/1970	Roper et al.	
3,632,016 A	1/1972	Bozek	
3,779,418 A	12/1973	Davis	
3,883,036 A	5/1975	Mahaffy et al.	

(**) Term: **14 Years**

(Continued)

(21) Appl. No.: **29/403,689**

(22) Filed: **Oct. 10, 2011**

(51) **LOC (10) Cl.** **09-03**

(52) **U.S. Cl.**
USPC **D9/428**

(58) **Field of Classification Search**
USPC D9/414, 419, 423, 424, 425, 430, 431,
D9/432, 761, 420, 428, 429, 435, 438;
D7/538, 549, 550.1, 391, 602, 629;
206/499, 508, 557, 501; 220/23.4,
220/23.6, 315, 318, 500, 659, 669, 675,
220/696, 752, 760, 790, 793, 781, 792;
229/105, 117.09, 117.26, 189, 406,
229/407, 902, 905, 915.1

See application file for complete search history.

(56) **References Cited**

U.S. PATENT DOCUMENTS

1,717,974 A	6/1929	Heinrichs	
D133,369 S *	8/1942	Chaplin	D9/429
2,296,808 A *	9/1942	Chaplin	229/406
2,501,983 A	3/1950	Zoia	
2,614,727 A	10/1952	Robinson	
2,695,115 A	11/1954	Roop	
2,922,563 A	1/1960	Aldington	

FOREIGN PATENT DOCUMENTS

DE	4306982	9/1994
DE	10230695	1/2004
JP	2011068397 A *	4/2011

Primary Examiner — Derrick Holland

Assistant Examiner — Lauren Calve

(74) *Attorney, Agent, or Firm* — Fitch, Even, Tabin &
Flannery LLP

(57) **CLAIM**

The ornamental design for a container, as shown and described.

DESCRIPTION

FIG. 1 is a perspective view of a container showing our new design;

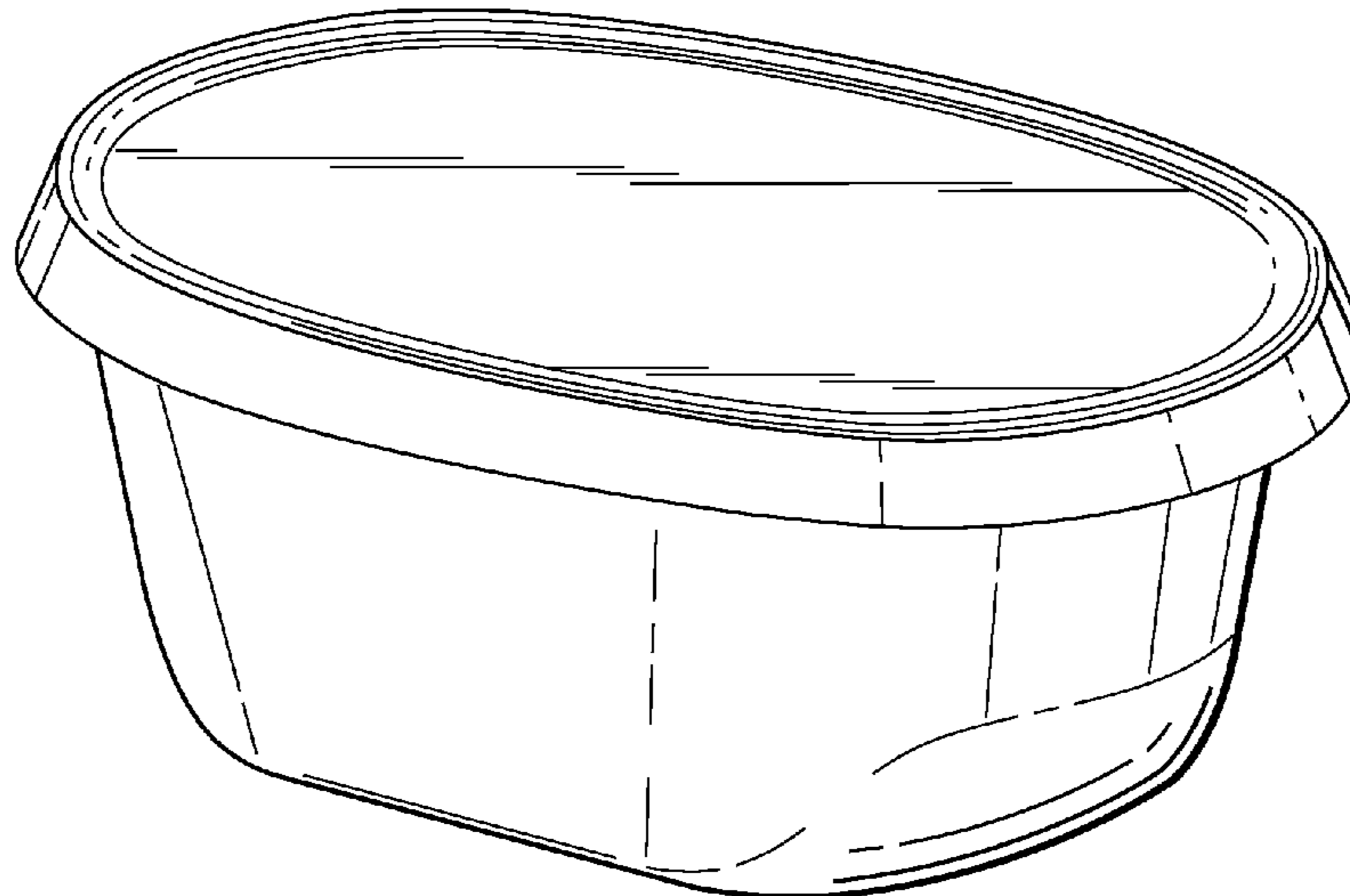
FIG. 2 is a front elevational view of the container of FIG. 1, the rear elevational view being identical;

FIG. 3 is a top plan view of the container of FIG. 1;

FIG. 4 is a right side elevational view of the container of FIG. 1, the left side elevational view being identical; and,

FIG. 5 is a bottom plan view of the container of FIG. 1.

1 Claim, 3 Drawing Sheets



(56)

References Cited

U.S. PATENT DOCUMENTS

3,979,016 A 9/1976 Frater
 3,989,142 A 11/1976 Gwilliam, Jr. et al.
 4,014,459 A 3/1977 Robinson
 4,061,241 A 12/1977 Retelny
 4,076,123 A 2/1978 Davis
 4,234,100 A 11/1980 Chabot
 4,254,891 A 3/1981 Jeppsson
 4,286,713 A 9/1981 Marchais
 4,341,324 A 7/1982 Ramirez
 4,364,476 A 12/1982 Weller et al.
 4,412,630 A * 11/1983 Daenen 220/792
 4,420,093 A 12/1983 Von Holdt
 4,422,559 A 12/1983 Landis
 D274,030 S * 5/1984 Daenen et al. D7/391
 4,512,493 A 4/1985 Von Holdt
 D280,058 S * 8/1985 Carlson D7/629
 4,538,741 A 9/1985 Jacobs
 4,542,029 A 9/1985 Caner et al.
 D285,906 S 9/1986 Tyler
 D286,026 S 10/1986 Rayner
 D287,573 S 1/1987 Tyler
 D288,063 S * 2/1987 Tyler D9/425
 D295,830 S * 5/1988 Holly D9/420
 4,747,510 A 5/1988 Mack
 4,826,039 A 5/1989 Landis
 4,872,586 A 10/1989 Landis
 4,886,184 A 12/1989 Chamourian
 D321,302 S 11/1991 Zimmerman
 D321,456 S 11/1991 Wolff
 D330,311 S 10/1992 Narsutis
 D330,312 S 10/1992 Narsutis
 D343,795 S * 2/1994 Verchere D9/425
 5,377,861 A 1/1995 Landis
 D360,105 S 7/1995 Doxey
 D378,039 S 2/1997 Ferris
 D379,133 S 5/1997 Ahern, Jr. et al.
 D383,671 S * 9/1997 Phillips D9/429
 D388,325 S 12/1997 Tucker et al.
 D390,109 S 2/1998 Tucker et al.
 5,839,603 A 11/1998 Smith et al.
 D414,650 S 10/1999 Lillelund et al.
 D422,176 S 4/2000 Laib
 6,170,696 B1 1/2001 Tucker et al.
 6,273,291 B1 8/2001 Conti
 6,371,324 B1 4/2002 Torniainen et al.
 D459,225 S 6/2002 Baxter et al.
 6,467,647 B1 10/2002 Tucker et al.
 D467,800 S 12/2002 Chen et al.
 D468,201 S 1/2003 Huber
 D469,320 S * 1/2003 Pettaweebuncha D7/629
 6,604,646 B2 8/2003 Torniainen et al.
 6,708,839 B2 3/2004 Diesterbeck
 D489,975 S * 5/2004 Jackson et al. D9/425
 D496,272 S * 9/2004 Jackson et al. D9/425
 6,840,398 B1 1/2005 Blumenschein
 6,845,877 B2 1/2005 Diesterbeck
 D501,636 S 2/2005 Melhede
 D502,394 S * 3/2005 Jackson et al. D9/425
 6,910,599 B2 6/2005 Tucker et al.
 7,017,775 B2 3/2006 Zettle et al.
 D521,380 S 5/2006 Jackson et al.
 D526,195 S 8/2006 Jelich et al.
 D526,562 S 8/2006 Jelich et al.
 D529,797 S 10/2006 Wilcox et al.
 D538,642 S 3/2007 Bouveret et al.

7,207,457 B2 4/2007 Schwarz
 D544,790 S * 6/2007 Bouveret et al. D9/428
 D547,115 S 7/2007 Bouveret et al.
 D547,179 S 7/2007 Bouveret et al.
 D548,588 S * 8/2007 Bouveret et al. D9/428
 7,261,219 B2 8/2007 Tucker et al.
 7,264,135 B2 9/2007 Savicki et al.
 D563,157 S 3/2008 Bouveret et al.
 D564,287 S 3/2008 Bouveret et al.
 D571,200 S 6/2008 Bouveret et al.
 D584,145 S * 1/2009 Young D9/435
 D585,699 S 2/2009 Furlong
 D586,179 S 2/2009 Furlong
 D591,591 S 5/2009 Moecks et al.
 D594,328 S 6/2009 Shapiro et al.
 D595,128 S 6/2009 Bouveret et al.
 D606,368 S 12/2009 Wu
 D607,315 S 1/2010 George et al.
 D610,903 S 3/2010 Shapiro et al.
 7,726,483 B2 6/2010 Ramanujam et al.
 D630,512 S 1/2011 Venier
 D630,940 S 1/2011 Shapiro et al.
 D631,299 S * 1/2011 Samartgis D7/602
 D631,708 S 2/2011 Smyers
 D632,559 S 2/2011 Georgiadis
 7,922,028 B2 4/2011 Baltz
 D638,700 S 5/2011 Bouveret et al.
 D638,701 S 5/2011 Shapiro et al.
 7,942,286 B2 5/2011 Shiffer et al.
 D639,186 S 6/2011 Shapiro et al.
 D639,656 S 6/2011 Shapiro et al.
 D641,628 S 7/2011 Baughman
 D644,886 S * 9/2011 Samartgis D7/602
 D645,738 S 9/2011 Shiffer et al.
 D646,160 S 10/2011 Shiffer et al.
 D646,968 S 10/2011 Ortiz et al.
 D647,358 S 10/2011 Smyers
 D647,397 S 10/2011 Inaba
 D649,872 S 12/2011 Bouveret et al.
 D649,873 S 12/2011 Bouveret et al.
 D650,660 S 12/2011 Shiffer et al.
 D650,661 S 12/2011 Shiffer et al.
 D650,662 S 12/2011 Shiffer et al.
 D650,663 S 12/2011 Shiffer et al.
 D652,266 S 1/2012 Smyers
 D655,605 S 3/2012 Baughman
 D656,009 S 3/2012 Ortiz et al.
 D656,010 S 3/2012 Ortiz et al.
 D660,148 S * 5/2012 Killandi D9/438
 D661,543 S 6/2012 Bouveret et al.
 8,205,768 B2 6/2012 Shiffer et al.
 8,286,823 B2 10/2012 Turvey et al.
 8,322,530 B2 12/2012 Furlong
 2002/0175173 A1 11/2002 Diesterbeck
 2007/0102438 A1 5/2007 Schwarz
 2007/0114236 A1 5/2007 Shiffer et al.
 2007/0187277 A1 8/2007 Furlong
 2008/0210686 A1 9/2008 Shapiro et al.
 2009/0026203 A1 1/2009 Selina et al.
 2009/0294322 A1 12/2009 Baltz
 2009/0314780 A1 12/2009 Selina et al.
 2010/0015293 A1 1/2010 Shapiro et al.
 2010/0170824 A1 7/2010 Ramanujam et al.
 2010/0236966 A1 9/2010 Luttik et al.
 2011/0174658 A1 7/2011 Otsubo
 2012/0000920 A1 1/2012 Anhalt et al.

* cited by examiner

FIG. 1

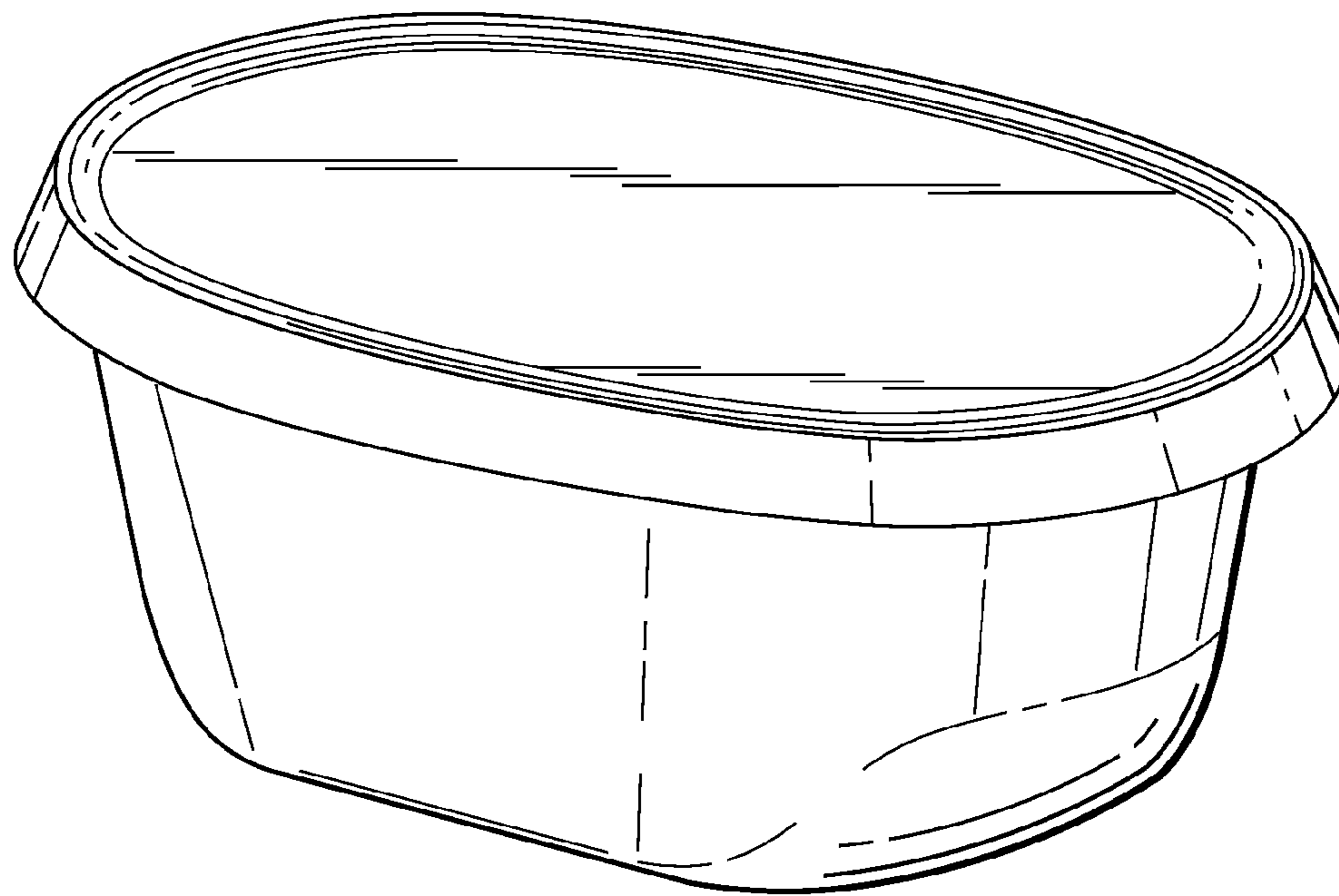


FIG. 2

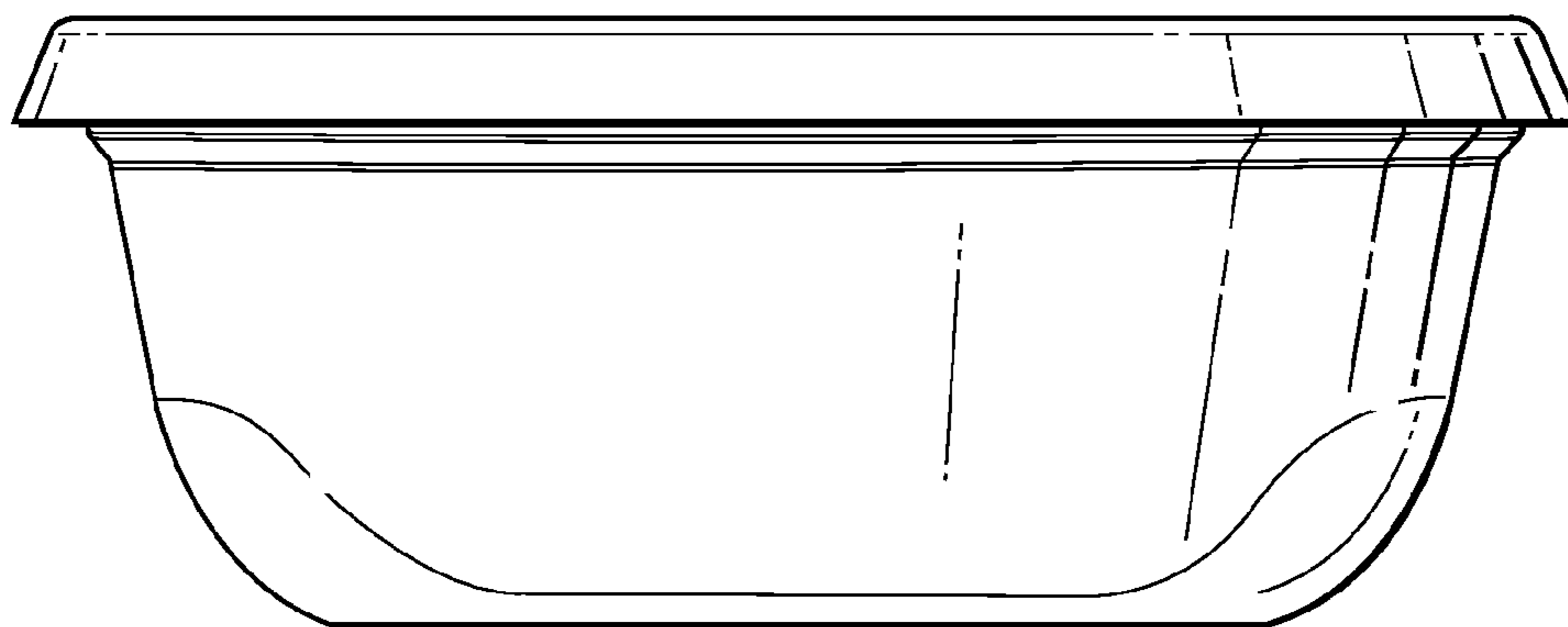


FIG. 3

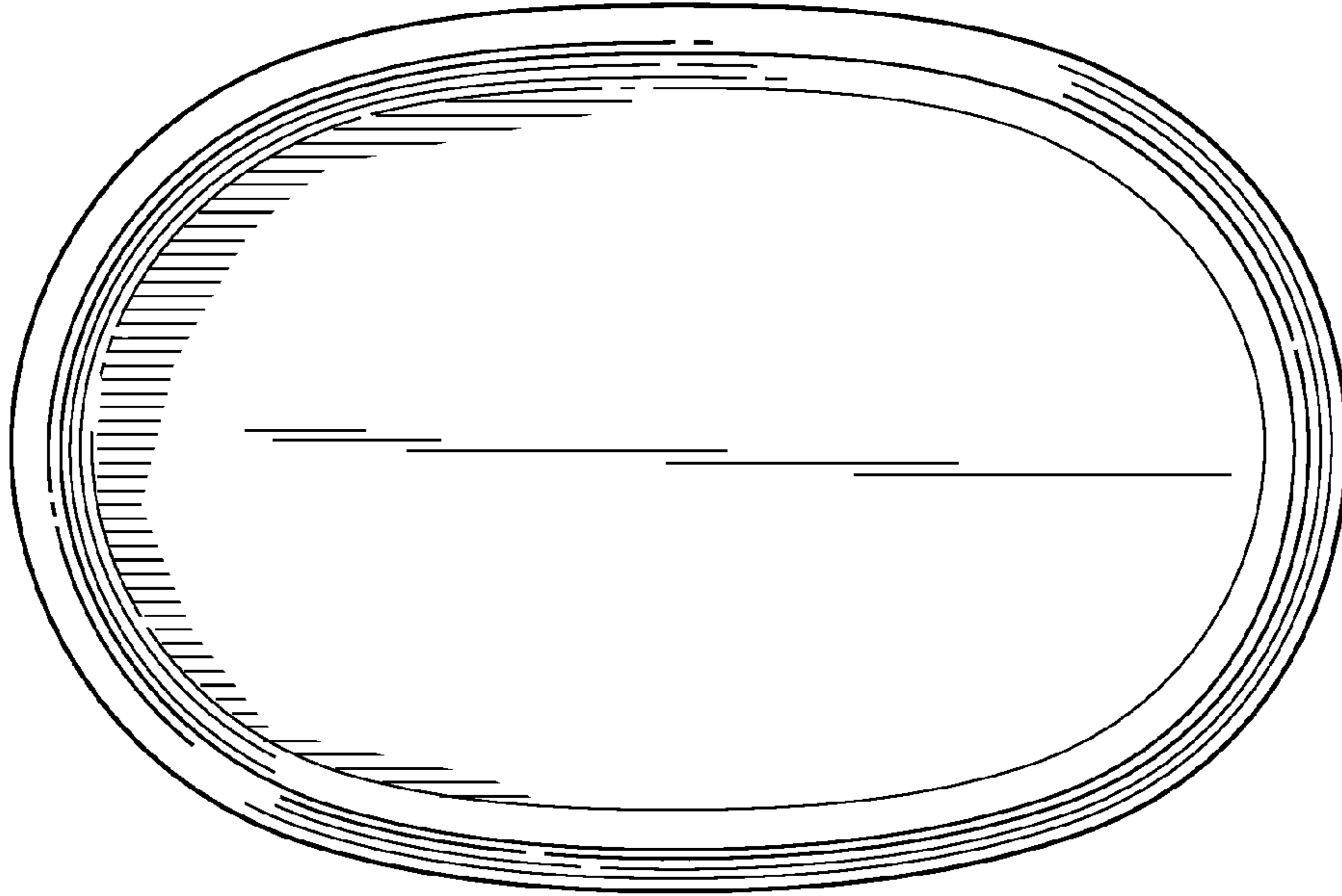


FIG. 4

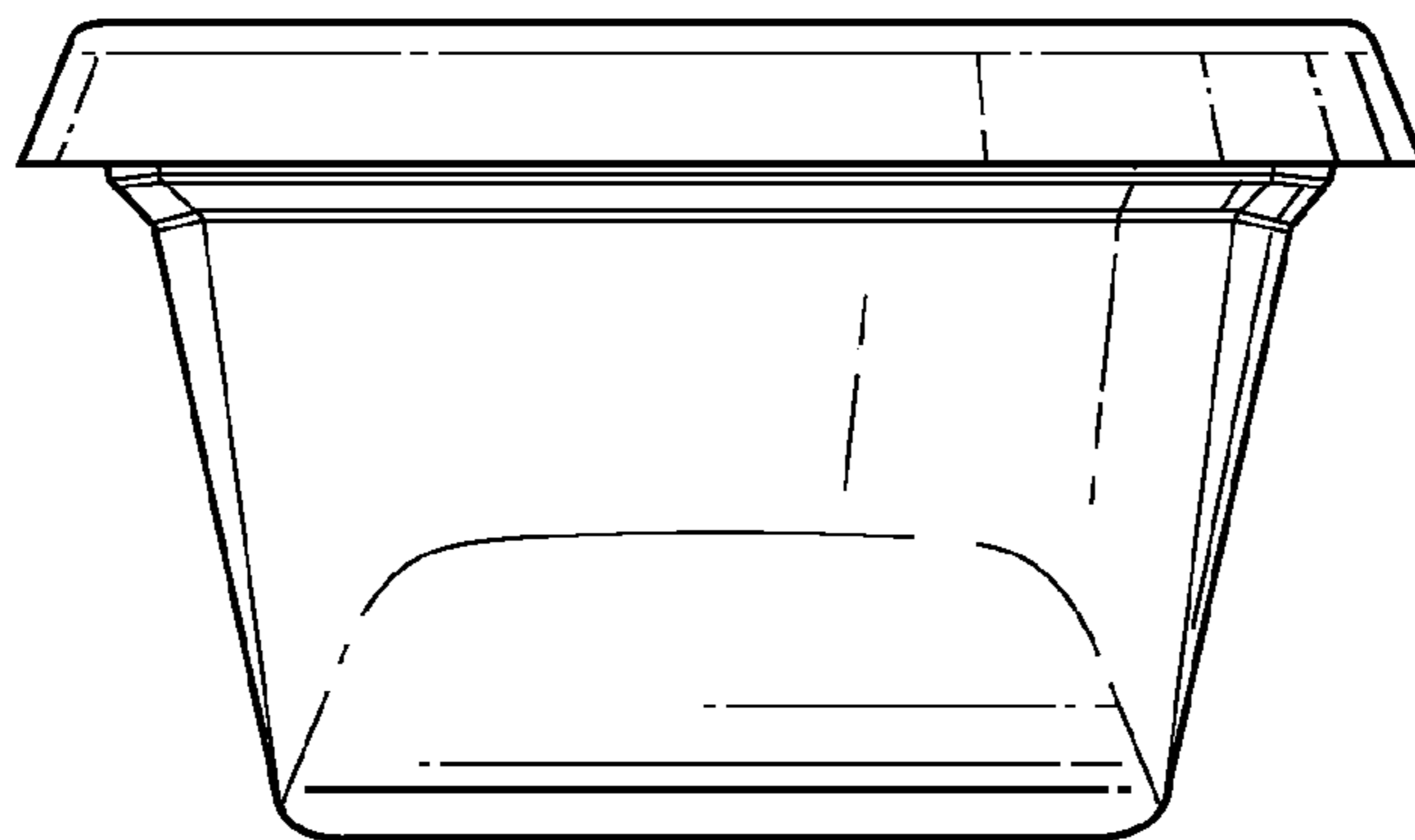


FIG. 5

