



US00D706129S

(12) **United States Design Patent**  
**Boraczek et al.**

(10) **Patent No.:** **US D706,129 S**  
(45) **Date of Patent:** **\*\* Jun. 3, 2014**

(54) **PACKAGE**

(75) Inventors: **William Boraczek**, New York, NY (US);  
**Angela Hall**, New York, NY (US);  
**Stephanie Hayter**, Northport, NY (US)

(73) Assignee: **Coty Inc.**, New York, NY (US)

(\*\*) Term: **14 Years**

(21) Appl. No.: **29/405,939**

(22) Filed: **Nov. 8, 2011**

(51) **LOC (10) CI.** ..... **09-03**

(52) **U.S. Cl.**  
USPC ..... **D9/418**

(58) **Field of Classification Search**  
USPC ..... D9/415, 416, 418, 423, 431, 432, 433,  
D9/443, 456, 457, 438, 504, 527-530, 700,  
D9/703, 721, 736, 741, 744, 747, 749, 753,  
D9/755, 756, 759, 760, 704; 206/45.27,  
206/45.3, 233, 299, 461, 532, 737, 769,  
206/776, 781, 782, 822; 220/560.01;  
514/165; D7/361, 376, 541, 543,  
D7/553.1, 629

See application file for complete search history.

(56) **References Cited**

**U.S. PATENT DOCUMENTS**

1,866,323	A *	7/1932	Russell	.....	206/750
5,501,323	A *	3/1996	Denesha et al.	.....	206/278
6,543,642	B1 *	4/2003	Milliorn	.....	221/46
D668,141	S *	10/2012	Collins	.....	D9/423
D668,533	S *	10/2012	Collins	.....	D9/423
2003/0201276	A1 *	10/2003	Fuller	.....	221/155
2007/0034534	A1 *	2/2007	VanBuren	.....	206/233
2010/0270325	A1 *	10/2010	Fearon	.....	221/45

**OTHER PUBLICATIONS**

[http://www.tyrebaydirect.com/106-Latex\\_Gloves\\_\(Box\\_100\).html](http://www.tyrebaydirect.com/106-Latex_Gloves_(Box_100).html).\*  
<http://www.esafetysupplies.com/Disposable-Latex-Gloves-Powdered.html>.\*  
[http://www.quala.com/product\\_pages/infection\\_control/gloves\\_latex.html](http://www.quala.com/product_pages/infection_control/gloves_latex.html).\*

\* cited by examiner

*Primary Examiner* — Robert M Spear

*Assistant Examiner* — Rhea Shields

(74) *Attorney, Agent, or Firm* — Schwegman Lundberg & Woessner, P.A.

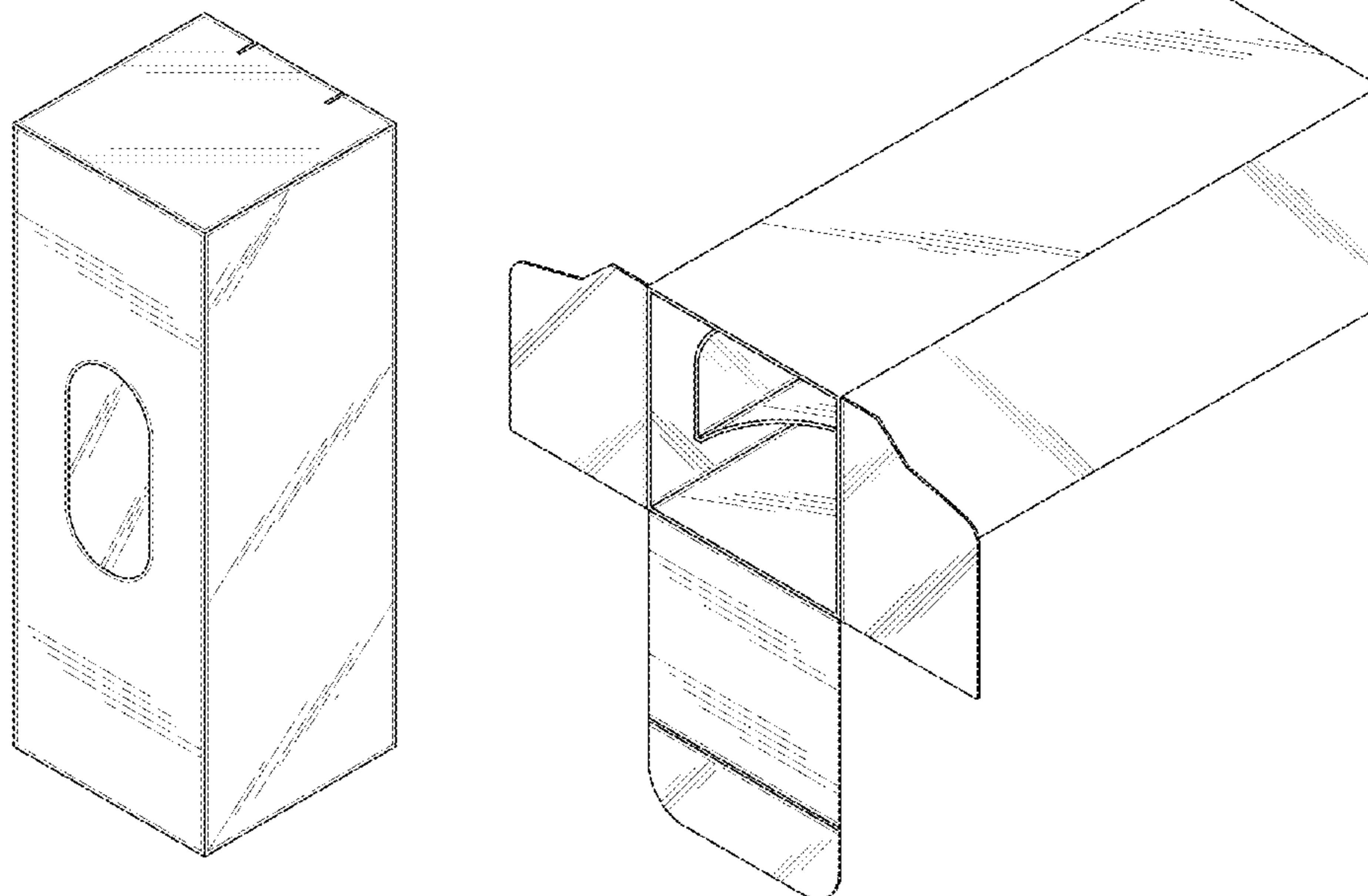
(57) **CLAIM**

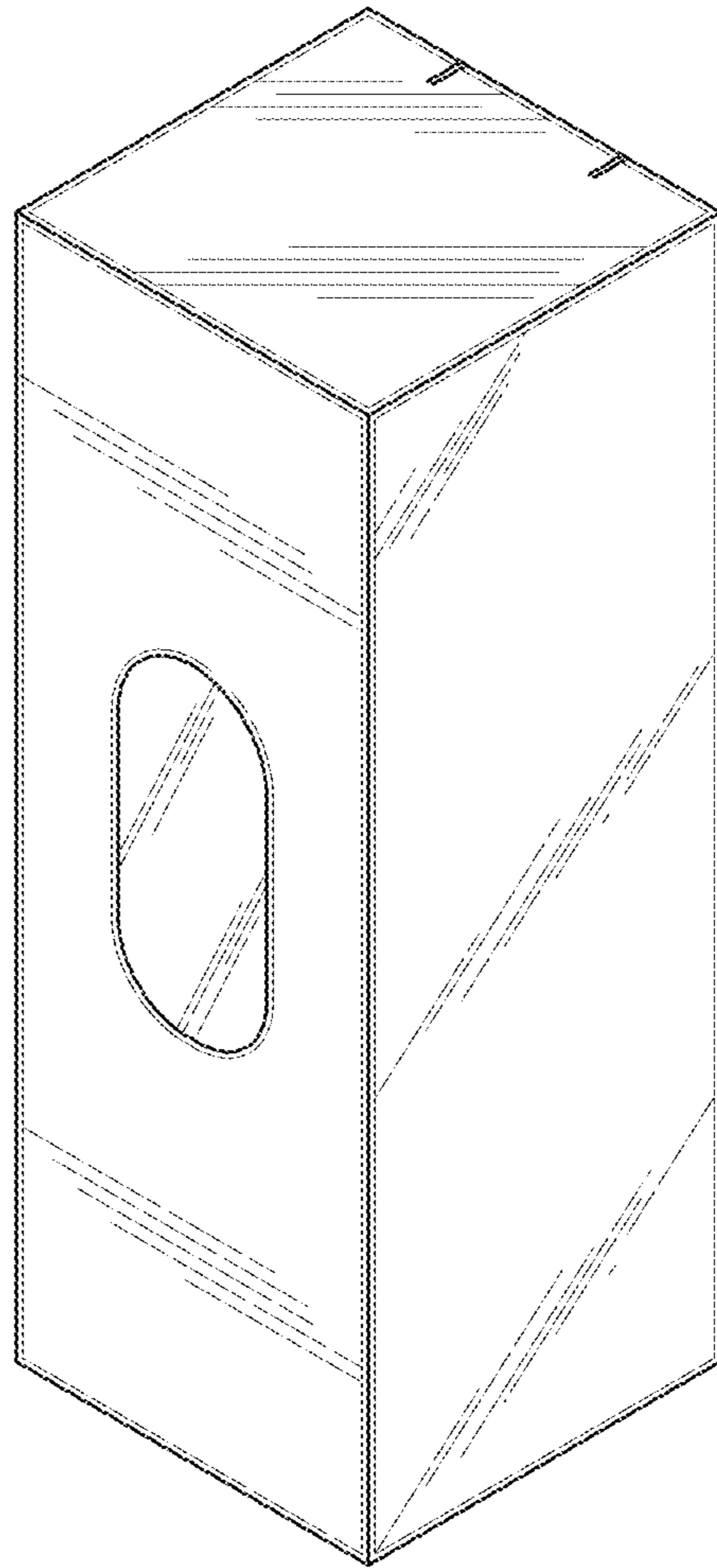
The ornamental design for the package, as shown and described.

**DESCRIPTION**

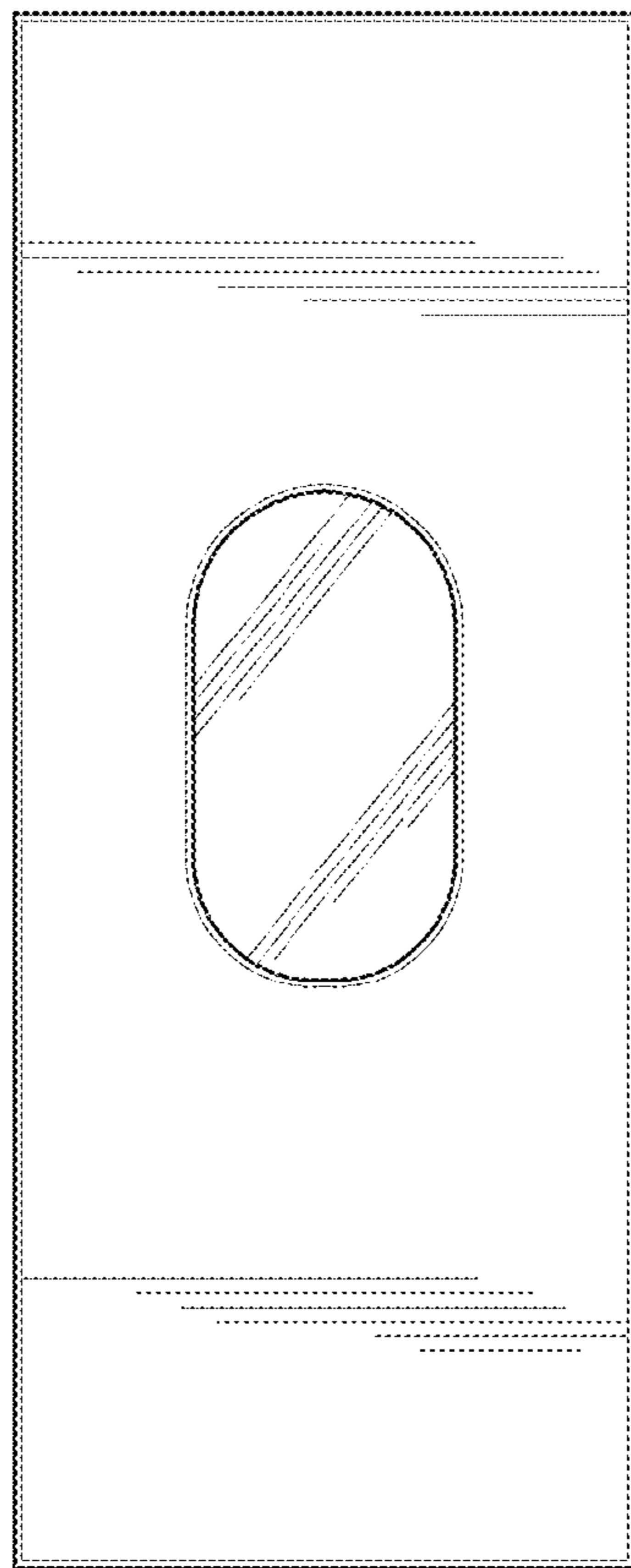
FIG. 1 is a perspective view of the package incorporating our new design;  
FIG. 2 is a Front view of the package of FIG. 1;  
FIG. 3 is a Rear view of the package of FIG. 1;  
FIG. 4 is a Left Side view of the package of FIG. 1;  
FIG. 5 is a Right Side view of the package of FIG. 1;  
FIG. 6 is a Top view of the package of FIG. 1;  
FIG. 7 is a Bottom view of the package of FIG. 1.  
FIG. 8 is a perspective view of the package of FIG. 1 showing an inner compartment; and,  
FIG. 9 is a Top Plan view of the package of FIG. 1.  
The broken lines in the drawings depict unclaimed environment and form no part of the claim. The portion of the package interior not visible in FIG. 8 is unclaimed.

**1 Claim, 6 Drawing Sheets**

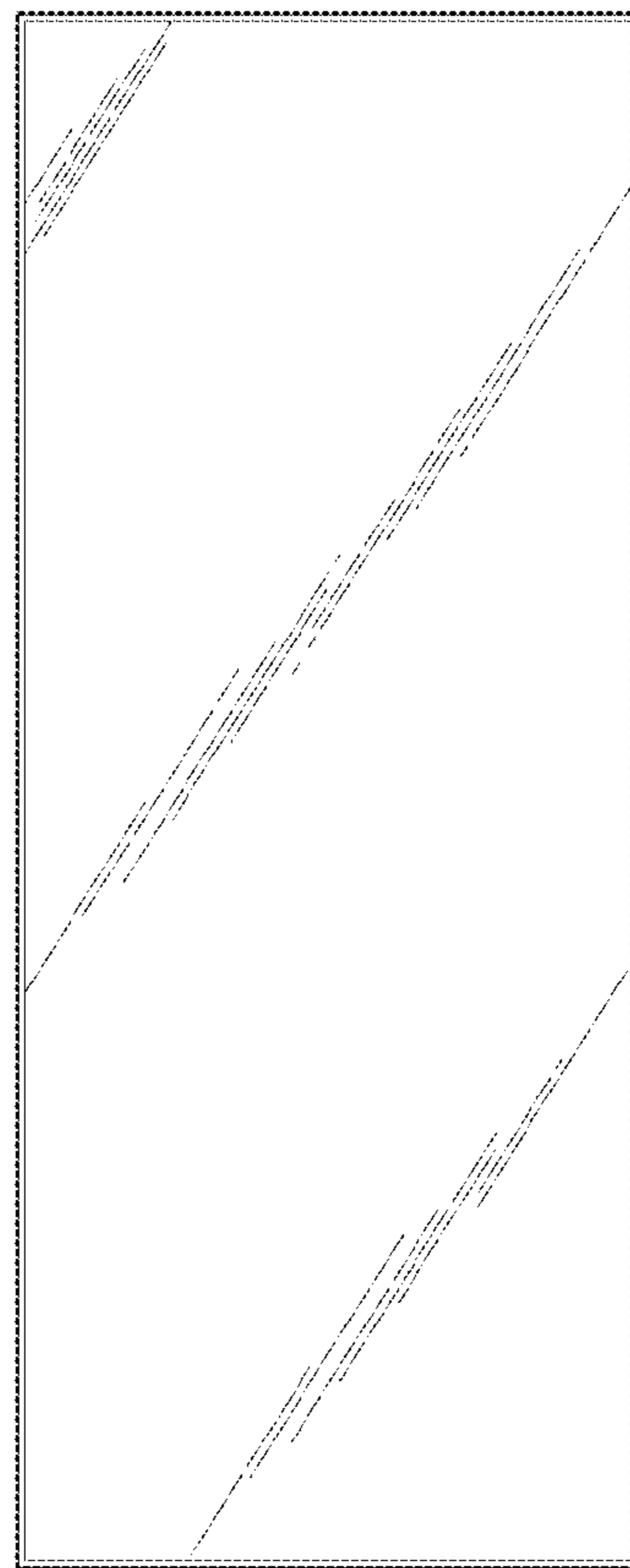




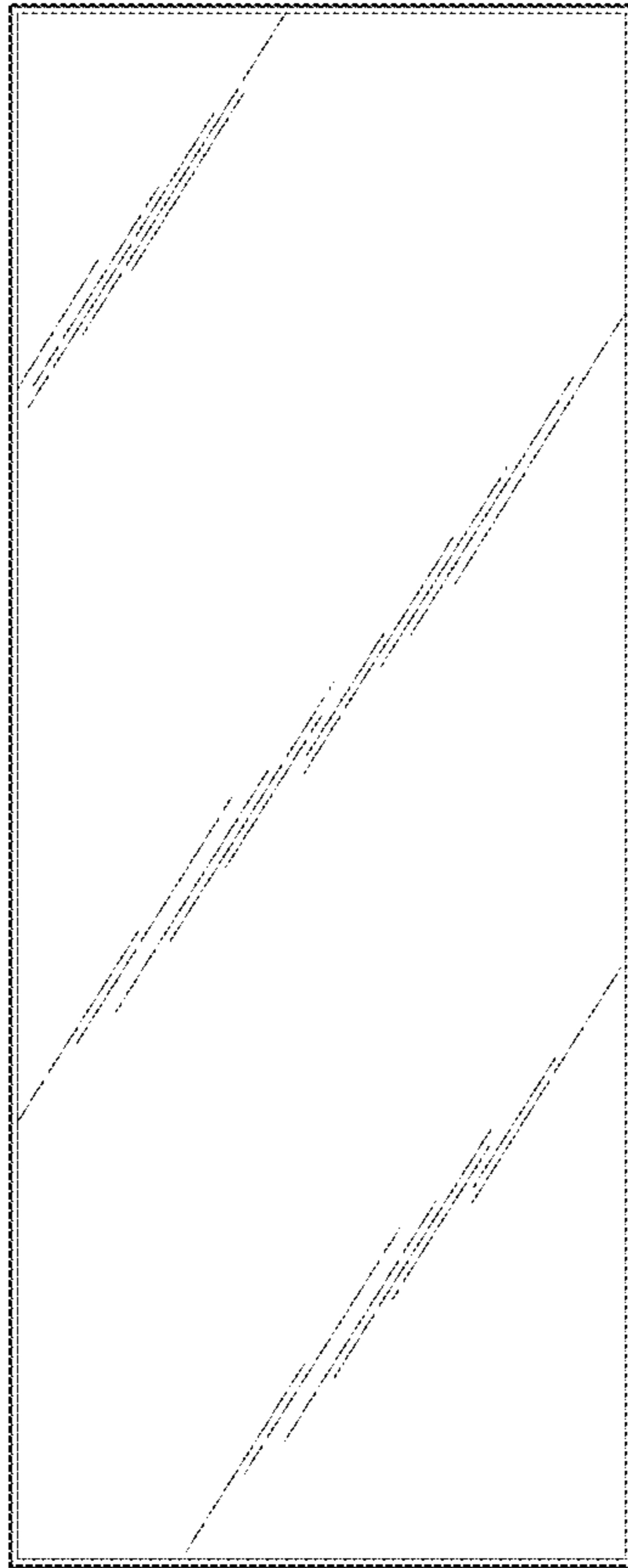
*FIG. 1*



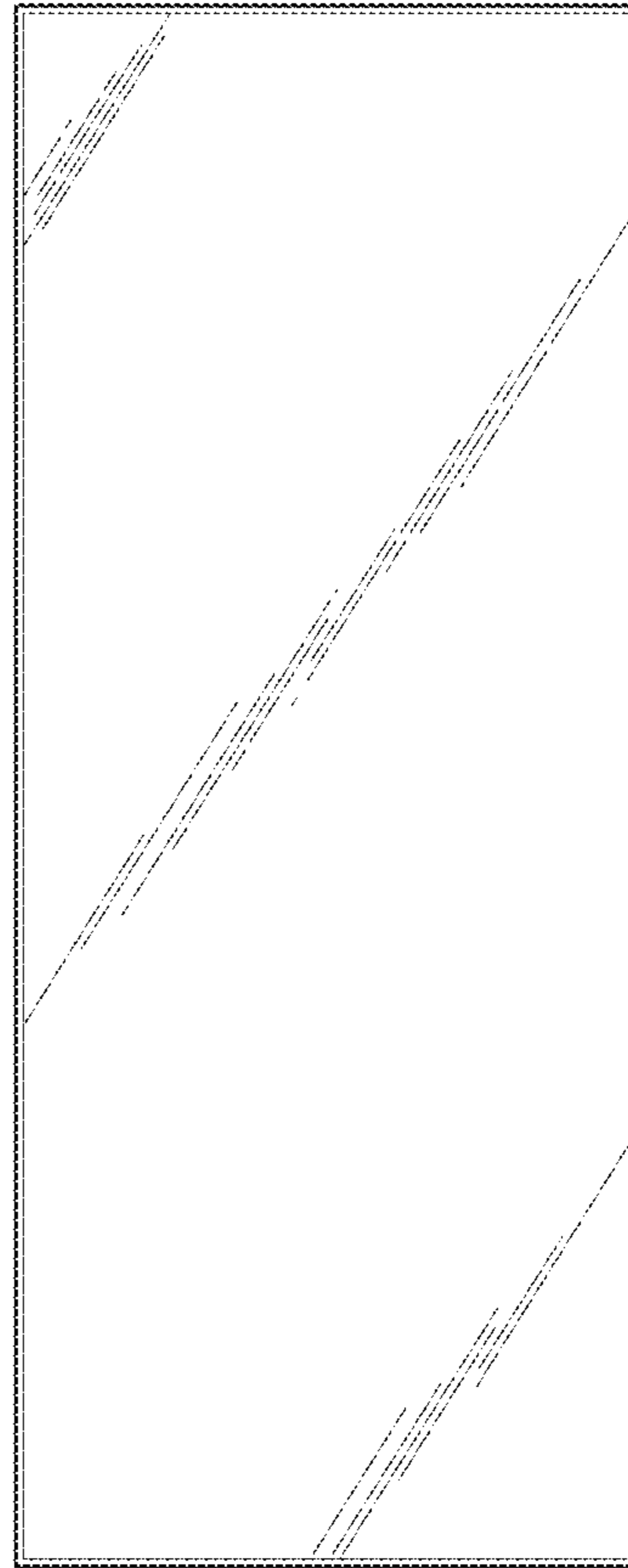
*FIG. 2*



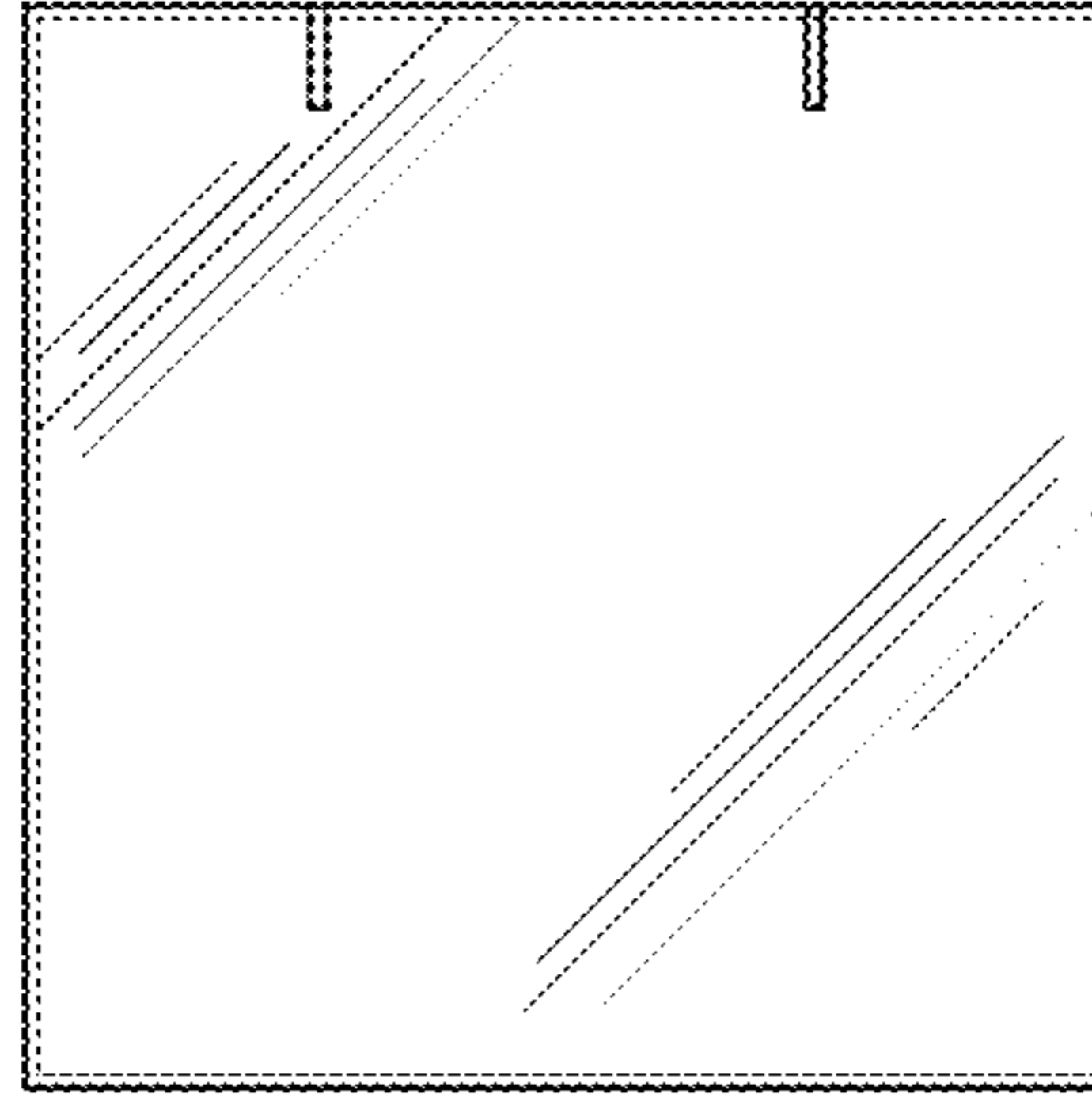
*FIG. 3*



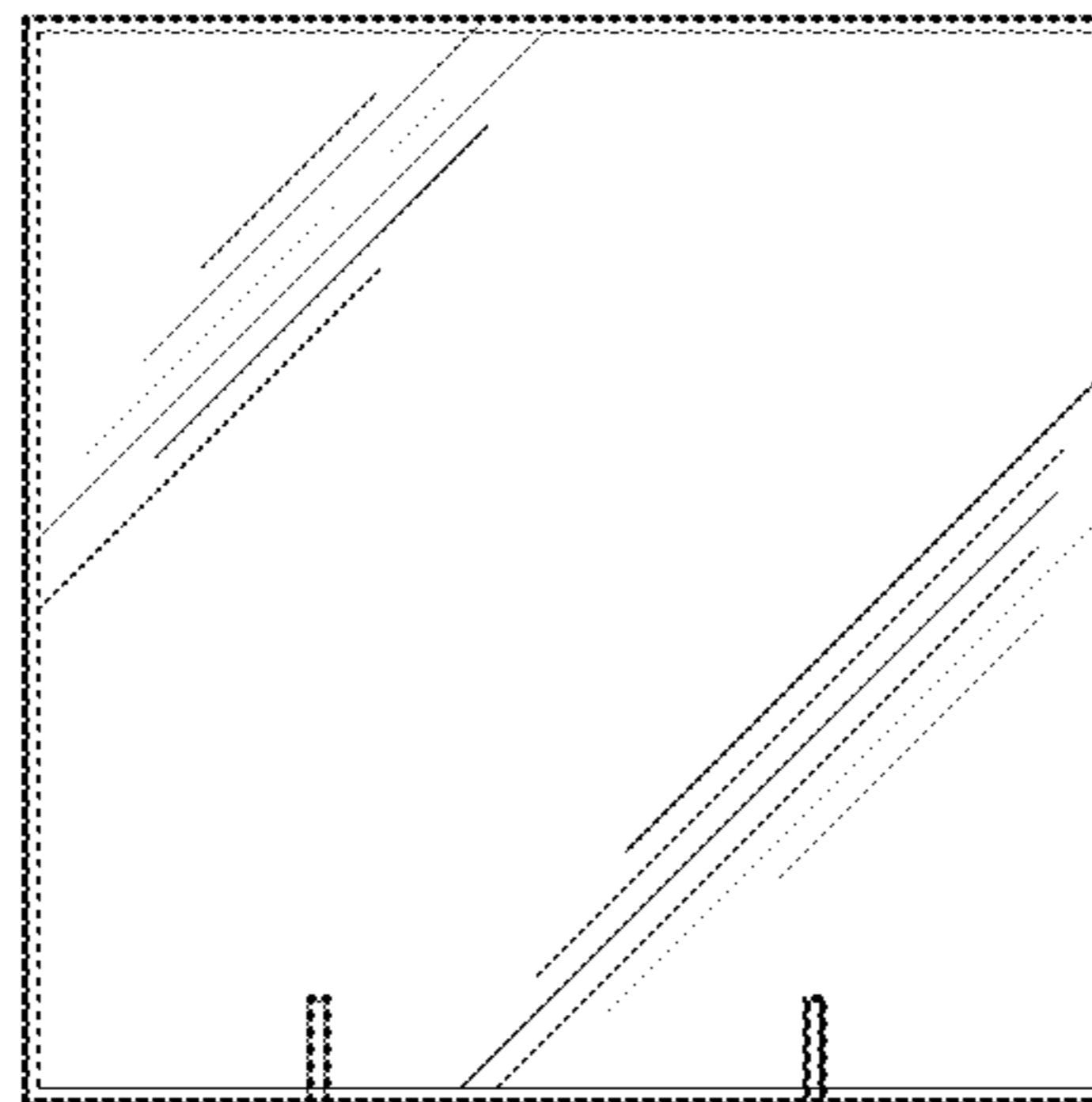
*FIG. 4*



*FIG. 5*

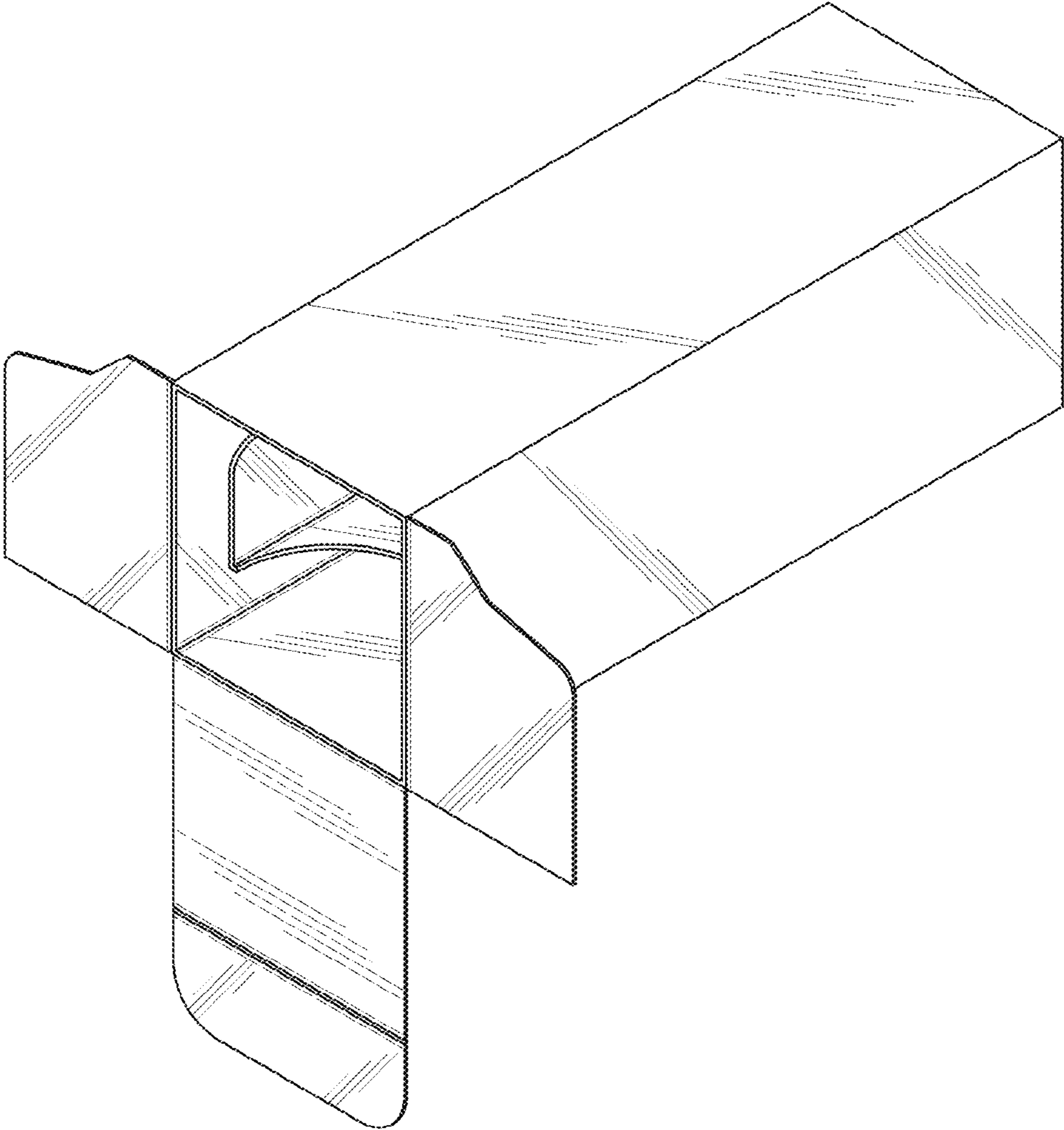


*FIG. 6*

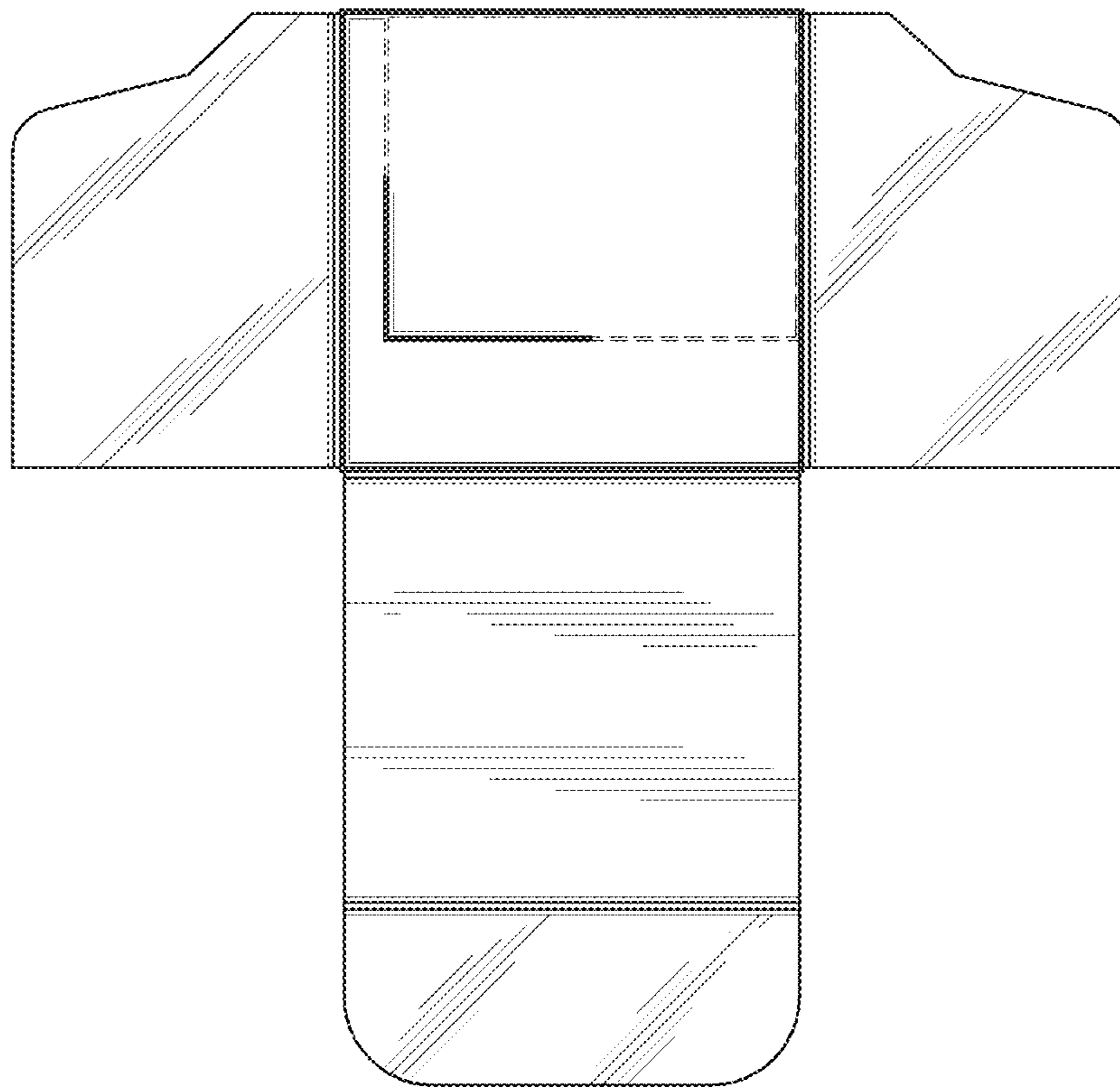


*FIG. 7*





*FIG. 8*



*FIG. 9*