



US00D706128S

(12) **United States Design Patent**
Strom et al.

(10) **Patent No.:** **US D706,128 S**
(45) **Date of Patent:** **** *Jun. 3, 2014**

(54) **CARTON**

(71) Applicant: **Welch Allyn, Inc.**, Skaneateles Falls, NY (US)

(72) Inventors: **John R. Strom**, Skaneateles Falls, NY (US); **Michael T. McMahon**, Skaneateles Falls, NY (US); **Sean R. Karla**, Skaneateles Falls, NY (US); **Lisa Killian**, Skaneateles Falls, NY (US)

(73) Assignee: **Welch Allyn, Inc.**, Skaneateles Falls, NY (US)

(*) Notice: This patent is subject to a terminal disclaimer.

(**) Term: **14 Years**

(21) Appl. No.: **29/444,435**

(22) Filed: **Jan. 30, 2013**

(51) **LOC (10) Cl.** **09-03**

(52) **U.S. Cl.**
USPC **D9/416**

(58) **Field of Classification Search**

USPC D9/456, 715, 517, 430, 431, 432, 433, D9/414-419, 423, 424, 428, 426, 499, 454, D9/744, 748, 749, 501, 503, 722, 736; 206/769, 773, 775-778, 395, 397-98, 206/223, 736, 756, 495, 349, 760, 541, 206/784; 229/162.1, 162.3, 162.7, 107, 229/122, 395, 938, 902, 409, 125.05, 116.1

See application file for complete search history.

(56) **References Cited**

U.S. PATENT DOCUMENTS

D419,440 S 1/2000 Hansen
D431,462 S 10/2000 Menaged et al.

(Continued)

Primary Examiner — Robert M Spear

Assistant Examiner — Rhea Shields

(57) **CLAIM**

We claim the ornamental design for a carton, as shown and described.

DESCRIPTION

FIG. 1 is a perspective view of a carton showing our new design;

FIG. 2 is a front elevation view thereof;

FIG. 3 is a rear elevation view thereof;

FIG. 4 is a top plan view thereof;

FIG. 5 is a bottom plan view thereof;

FIG. 6 is a left side elevation view thereof;

FIG. 7 is a right side elevation view thereof;

FIG. 8 is another perspective view thereof, shown in a position of use with portions of two tear strips being removed;

FIG. 9 is yet another perspective view thereof, shown in a further position of use with a portion of a tear strip being removed and portions of two other tear strips and an end portion removed;

FIG. 10 is yet another perspective view thereof, shown in a further position of use with a tear strip, portions of two other tear strips, and an end portion removed and a top portion of the carton in an open configuration.

FIG. 11 is a front elevation view thereof;

FIG. 12 is a rear elevation view thereof;

FIG. 13 is a top plan view thereof;

FIG. 14 is a bottom plan view thereof;

FIG. 15 is a left side elevation view thereof;

FIG. 16 is a right side elevation view thereof;

FIG. 17 is yet another perspective view thereof, shown in yet a further position of use with a tear strip, portions of two other tear strips, and two end portions removed and a top portion of the carton in an open configuration;

FIG. 18 is a front elevation view thereof;

FIG. 19 is a rear elevation view thereof;

FIG. 20 is a top plan view thereof;

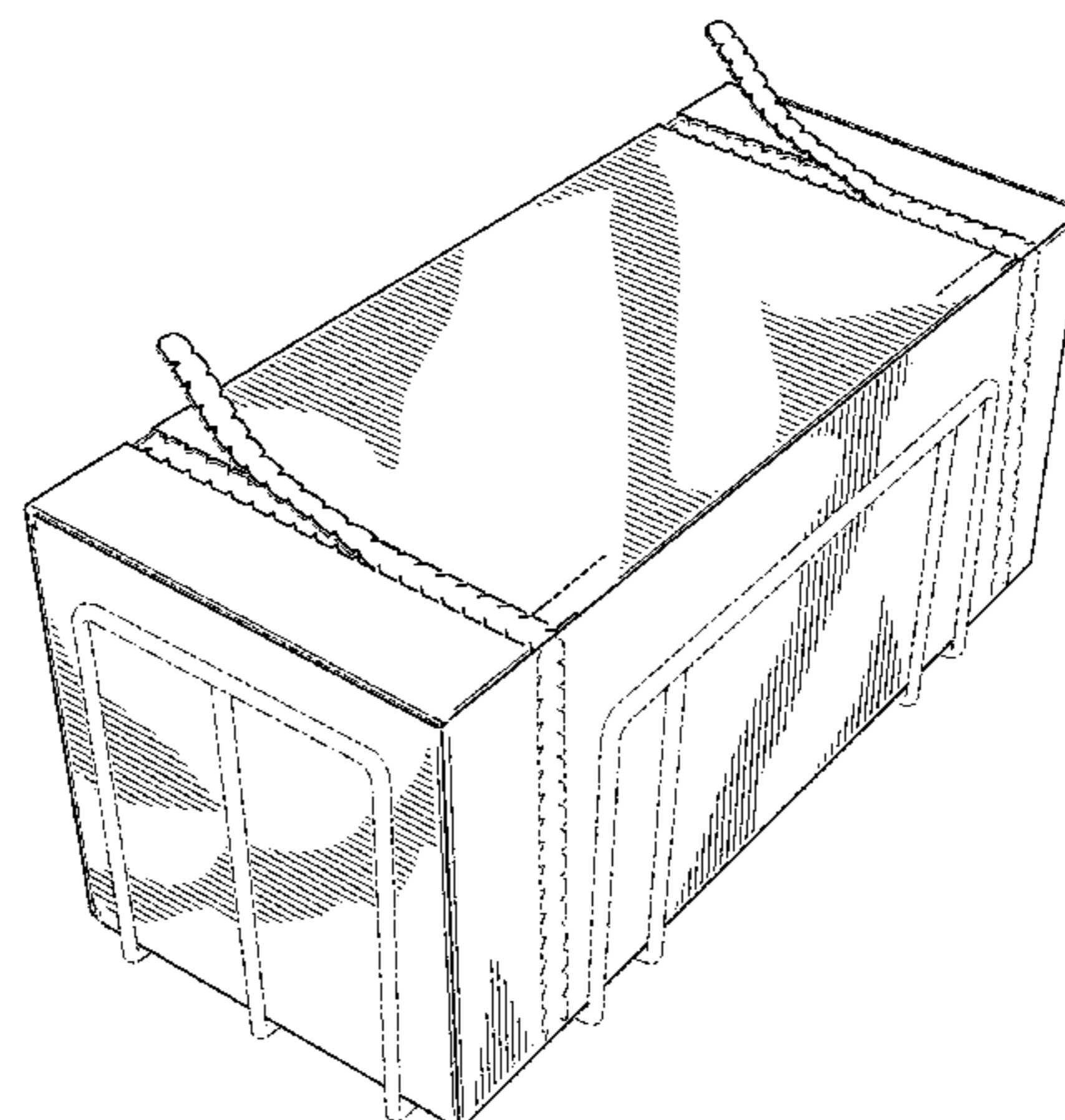
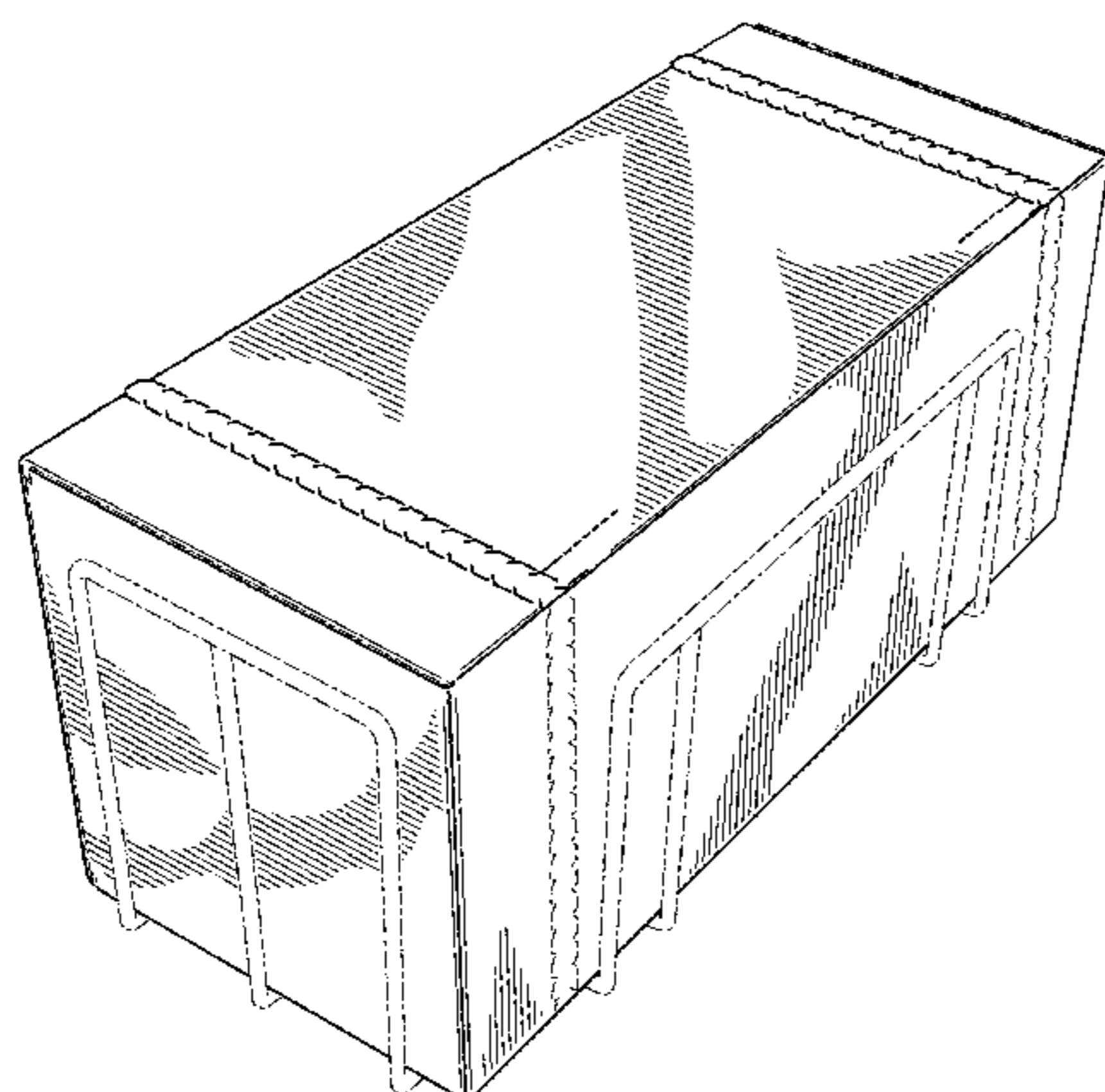
FIG. 21 is a bottom plan view thereof;

FIG. 22 is a left side elevation view thereof; and,

FIG. 23 is a right side elevation view thereof.

Broken lines immediately adjacent shaded areas represent bounds of the claimed design. Broken lines of the basket in FIGS. 1-23 are directed to environment. All other broken lines are directed to unclaimed features. The broken lines form no part of the claimed design.

1 Claim, 22 Drawing Sheets



(56)

References Cited

U.S. PATENT DOCUMENTS

D432,912 S *	10/2000	Lubineau-Bigot et al.	D9/416	D511,681 S *	11/2005	Cogley et al.	D9/416
D433,630 S *	11/2000	Lubineau-Bigot et al.	D9/416	D548,583 S *	8/2007	Carmichael et al.	D9/416
D472,463 S *	4/2003	Kinigakis	D9/416	7,743,944 B2	6/2010	Ho Fung et al.	
D490,703 S	6/2004	Rusnock		7,784,675 B2	8/2010	Sutherland et al.	
D505,620 S *	5/2005	Huebsch	D9/416	8,033,449 B2	10/2011	Ho Fung et al.	
				8,136,717 B2	3/2012	De Paula et al.	
				D678,049 S *	3/2013	Bakker et al.	D9/416
				2010/0298724 A1	11/2010	Vivenzio et al.	

* cited by examiner

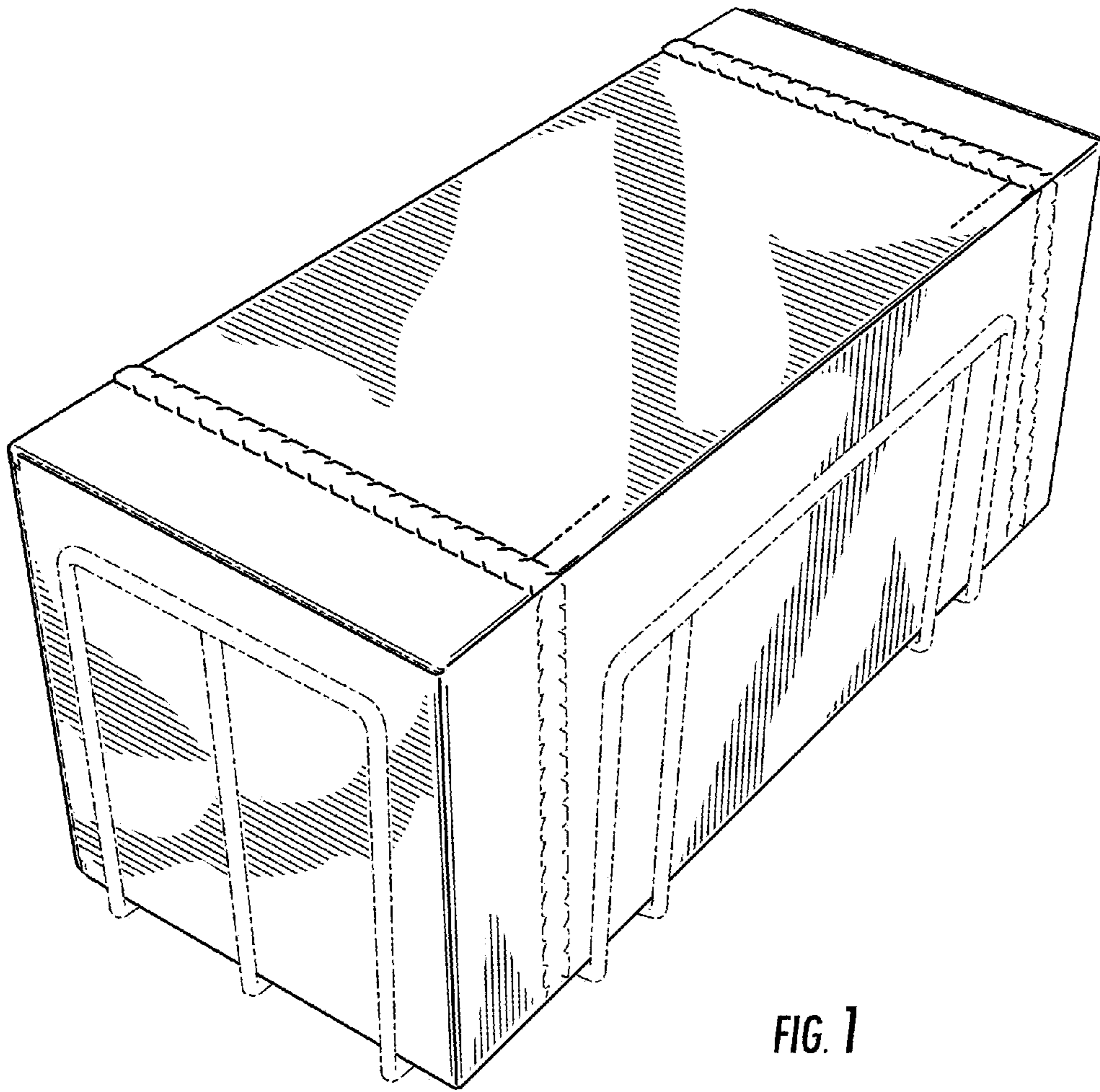


FIG. 1

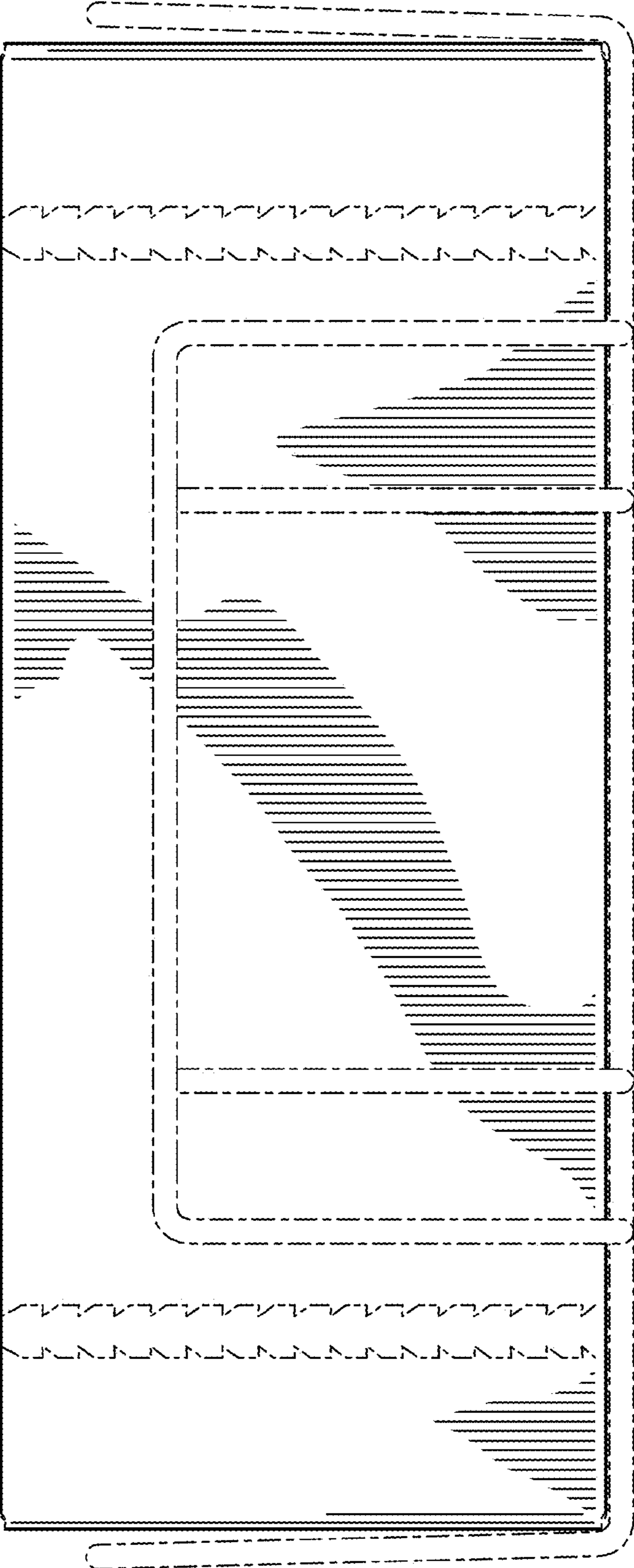


FIG. 2

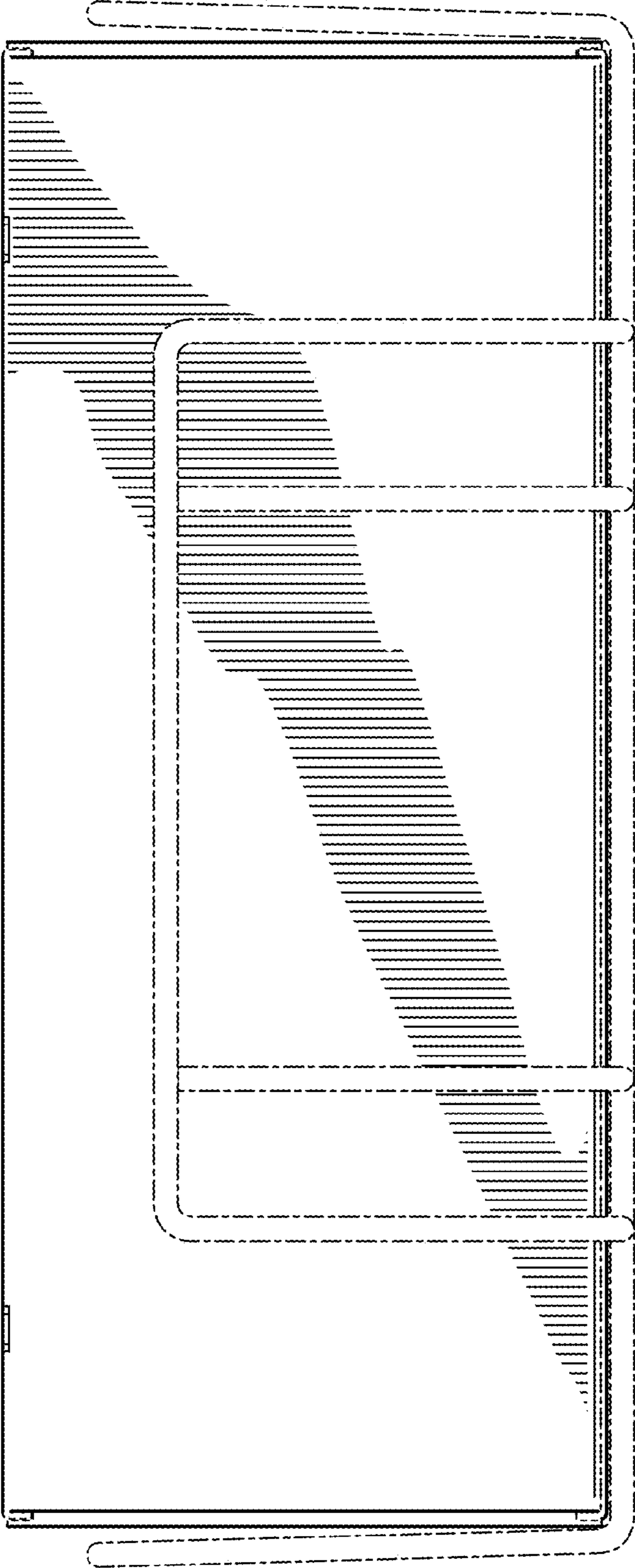


FIG. 3



FIG. 4

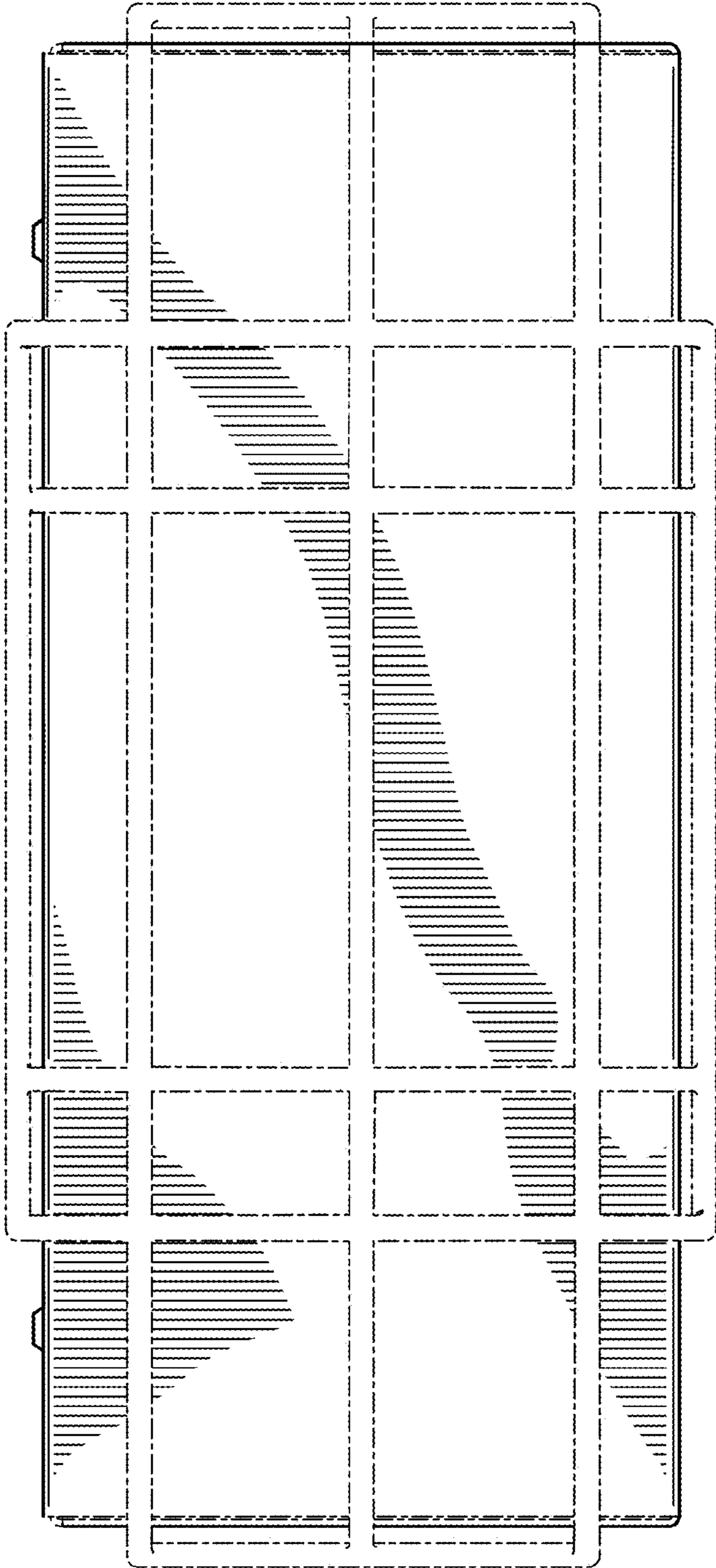


FIG. 5

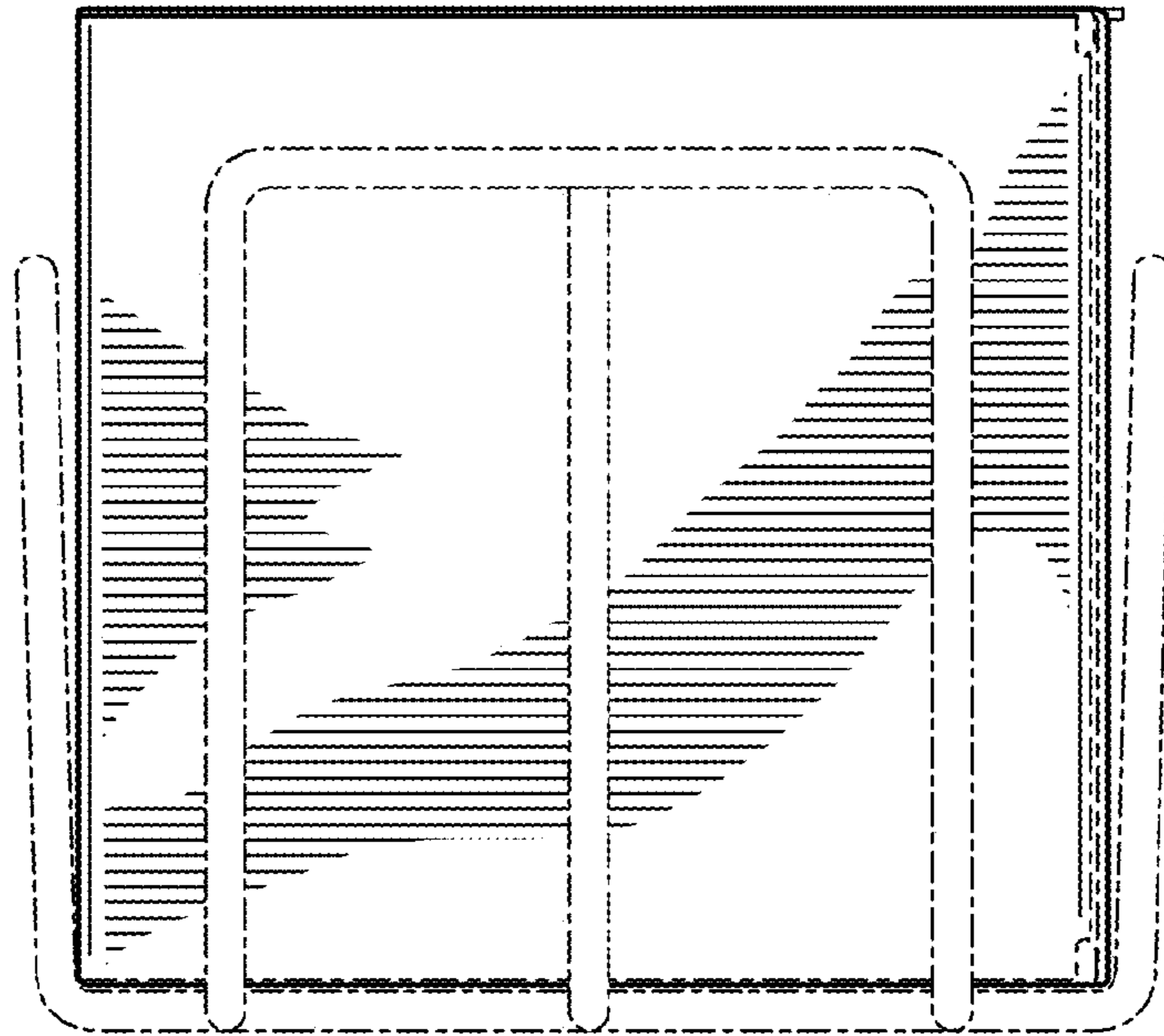


FIG. 6

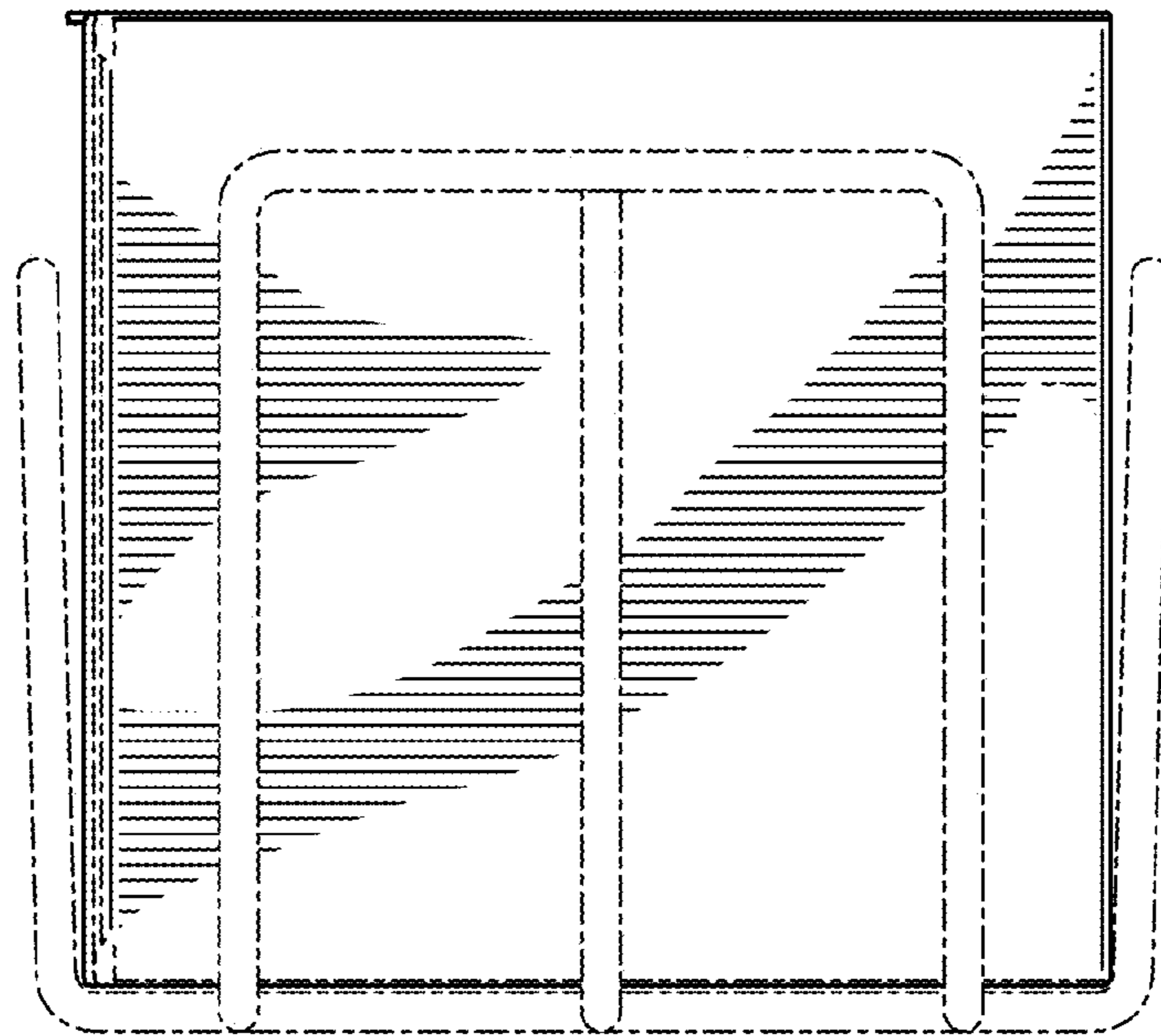


FIG. 7

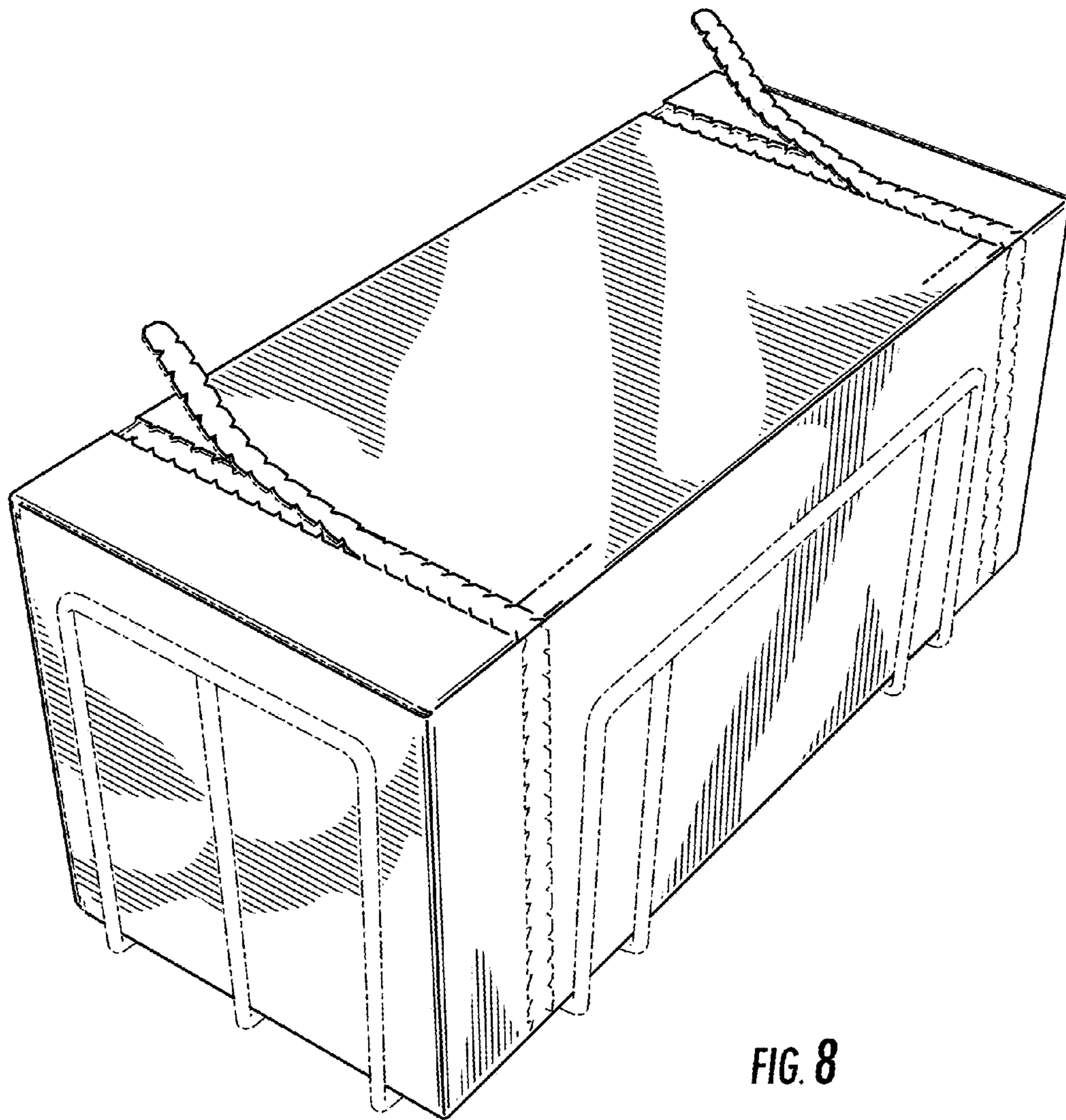


FIG. 8

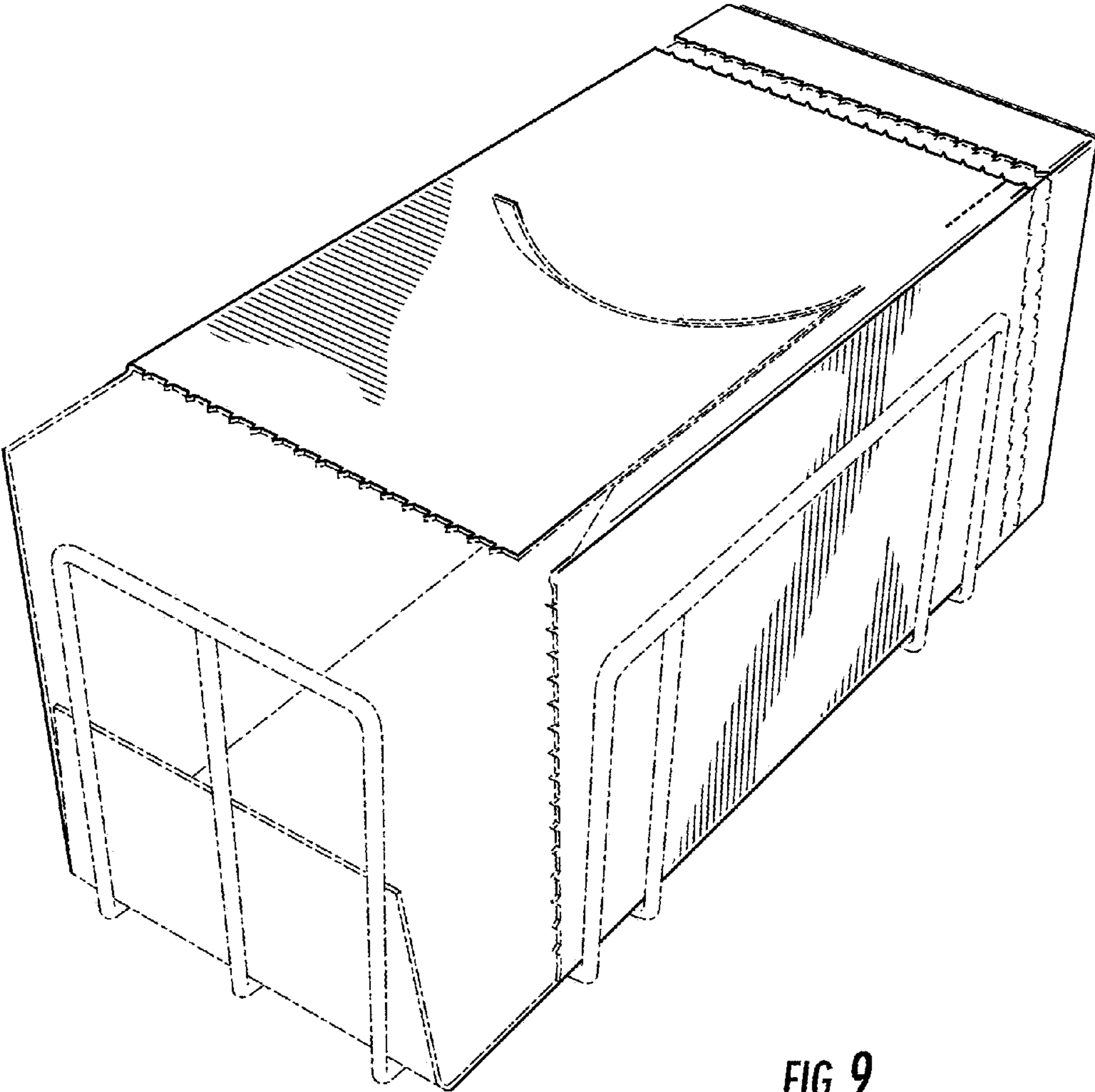


FIG. 9

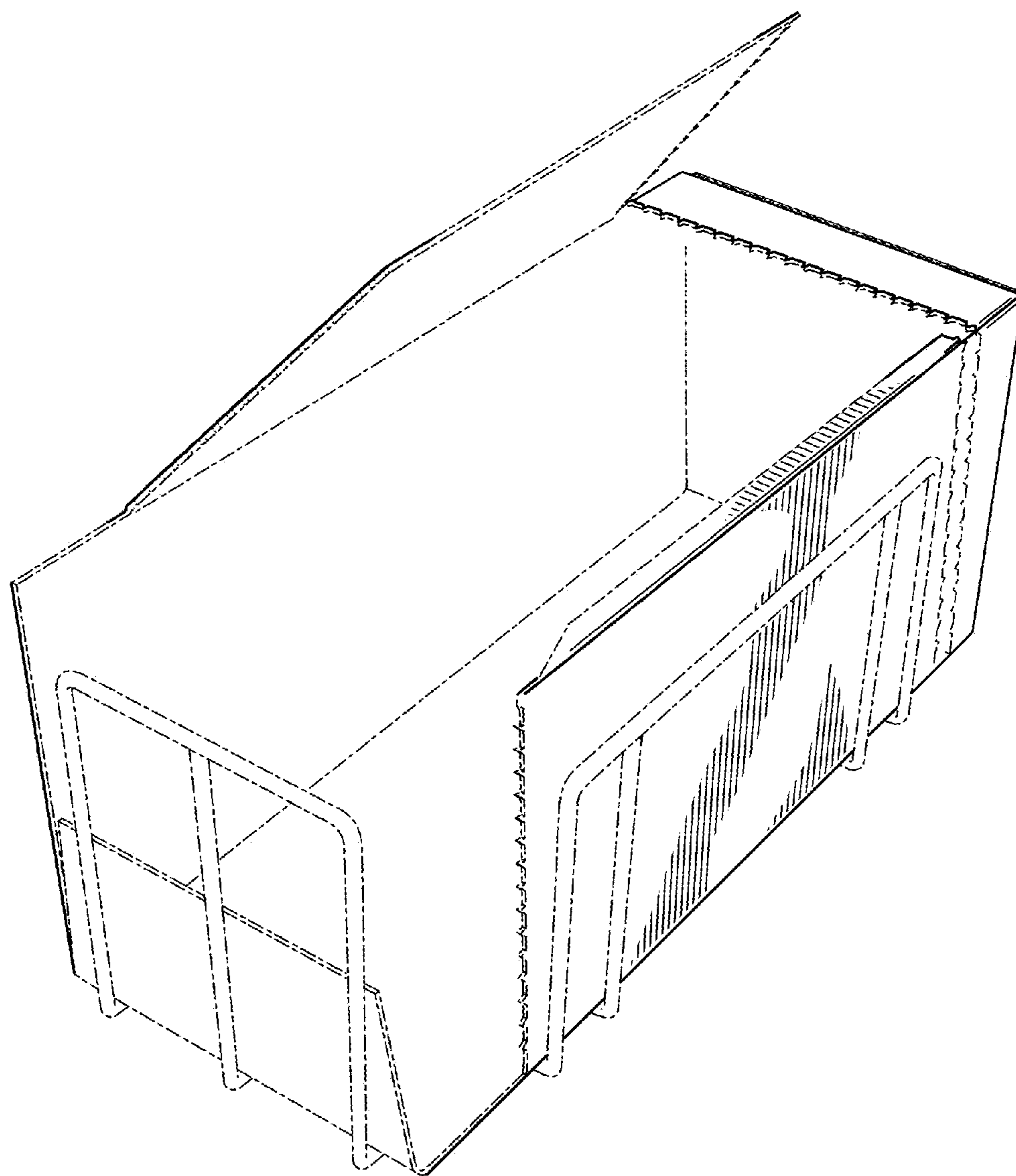


FIG. 10

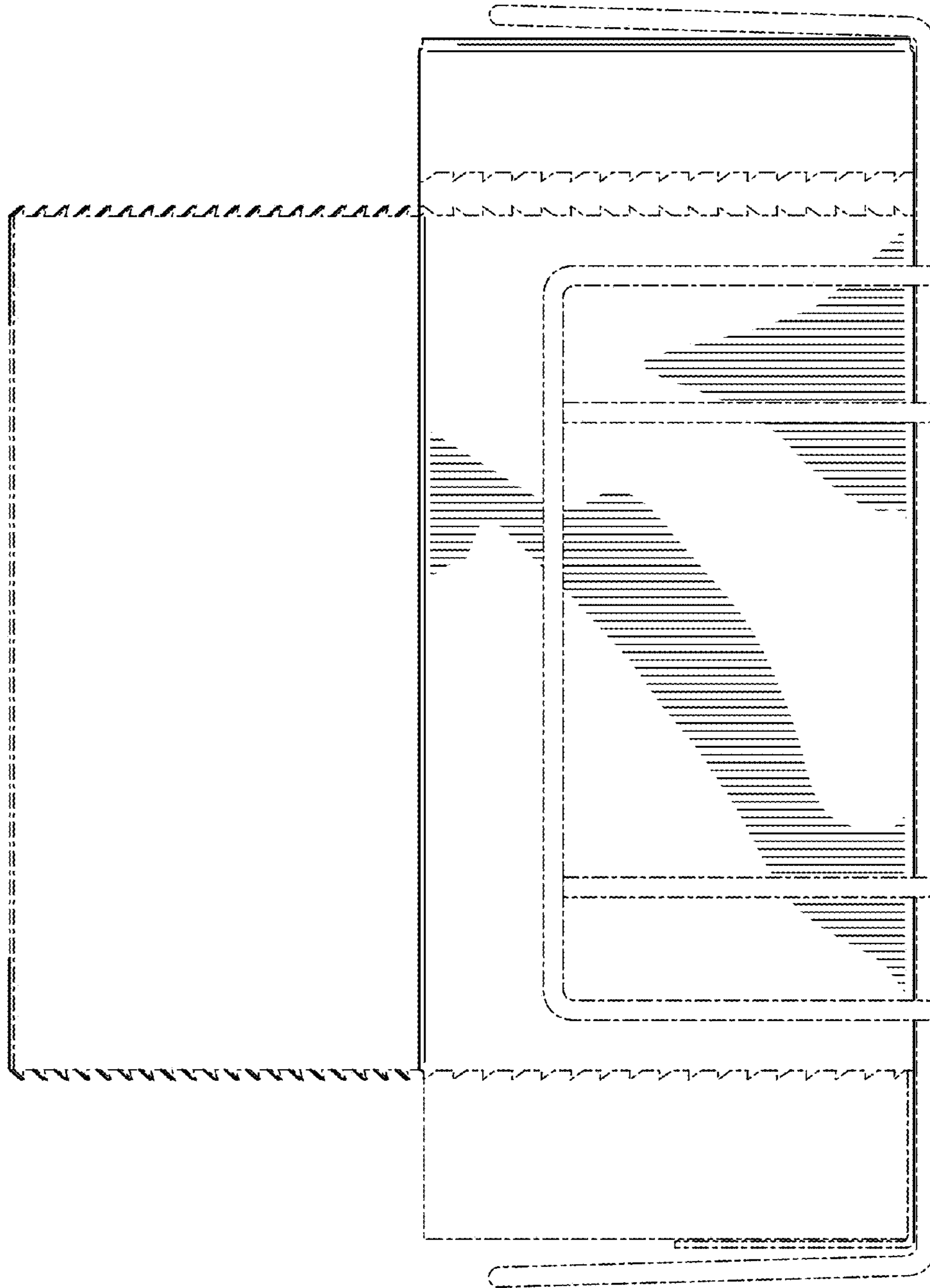


FIG. 11

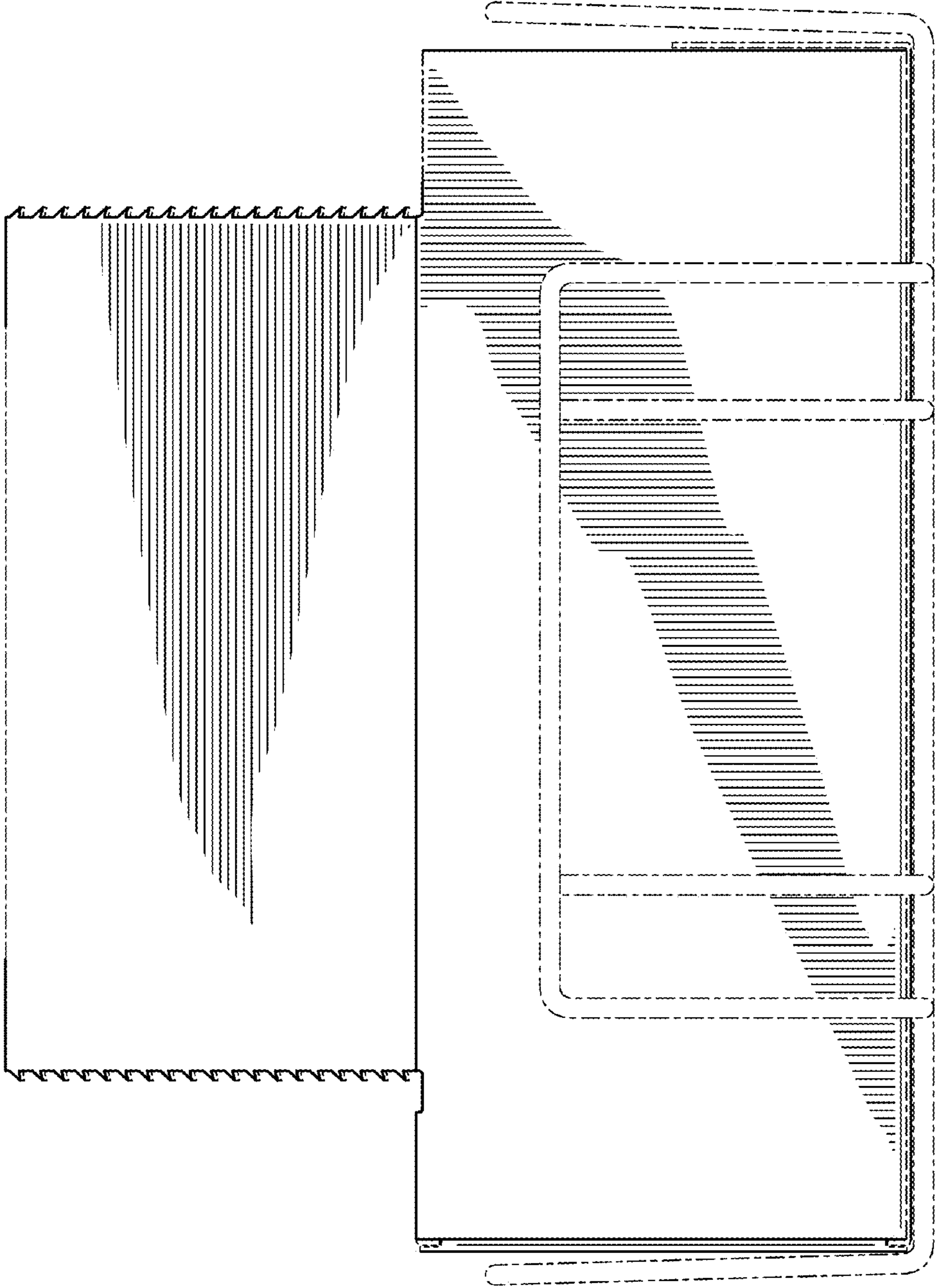


FIG. 12

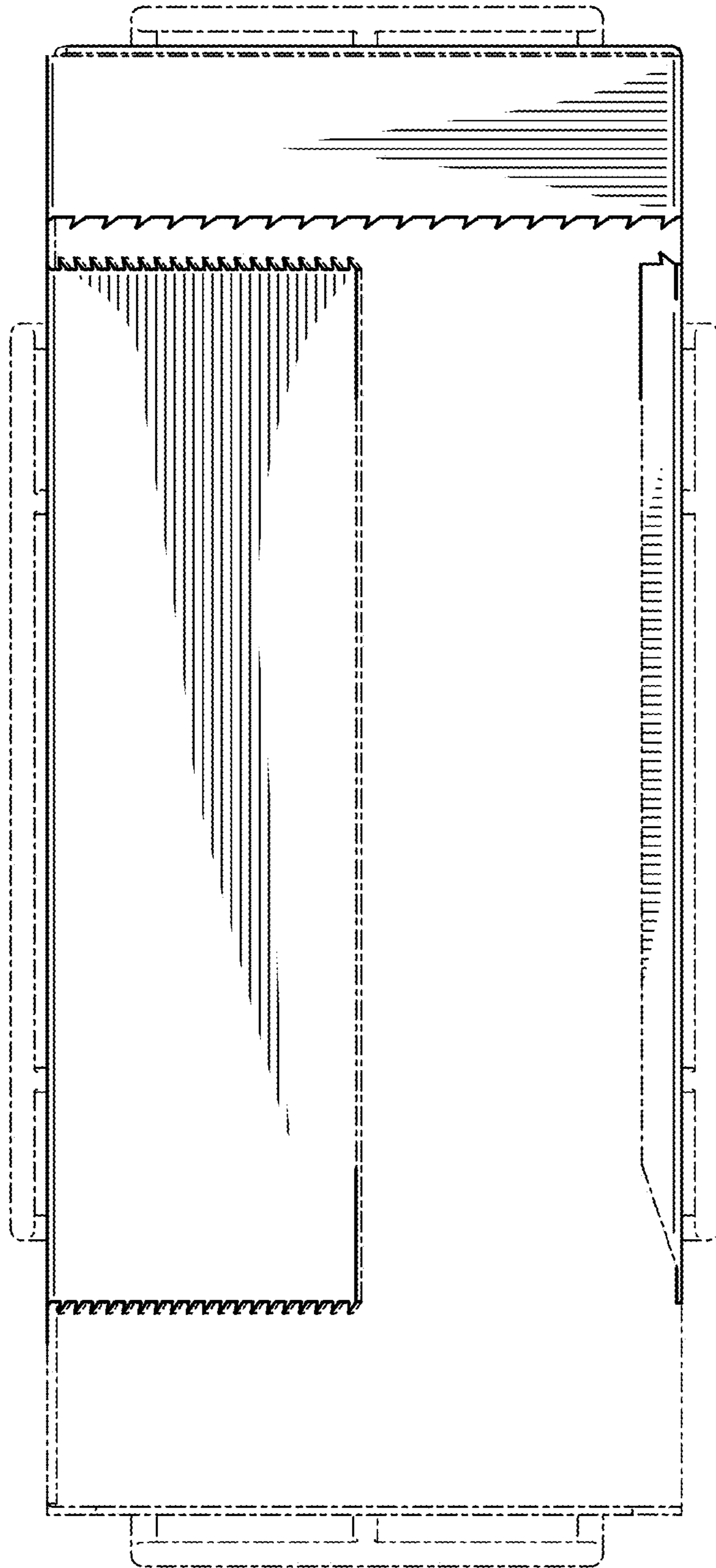


FIG. 13

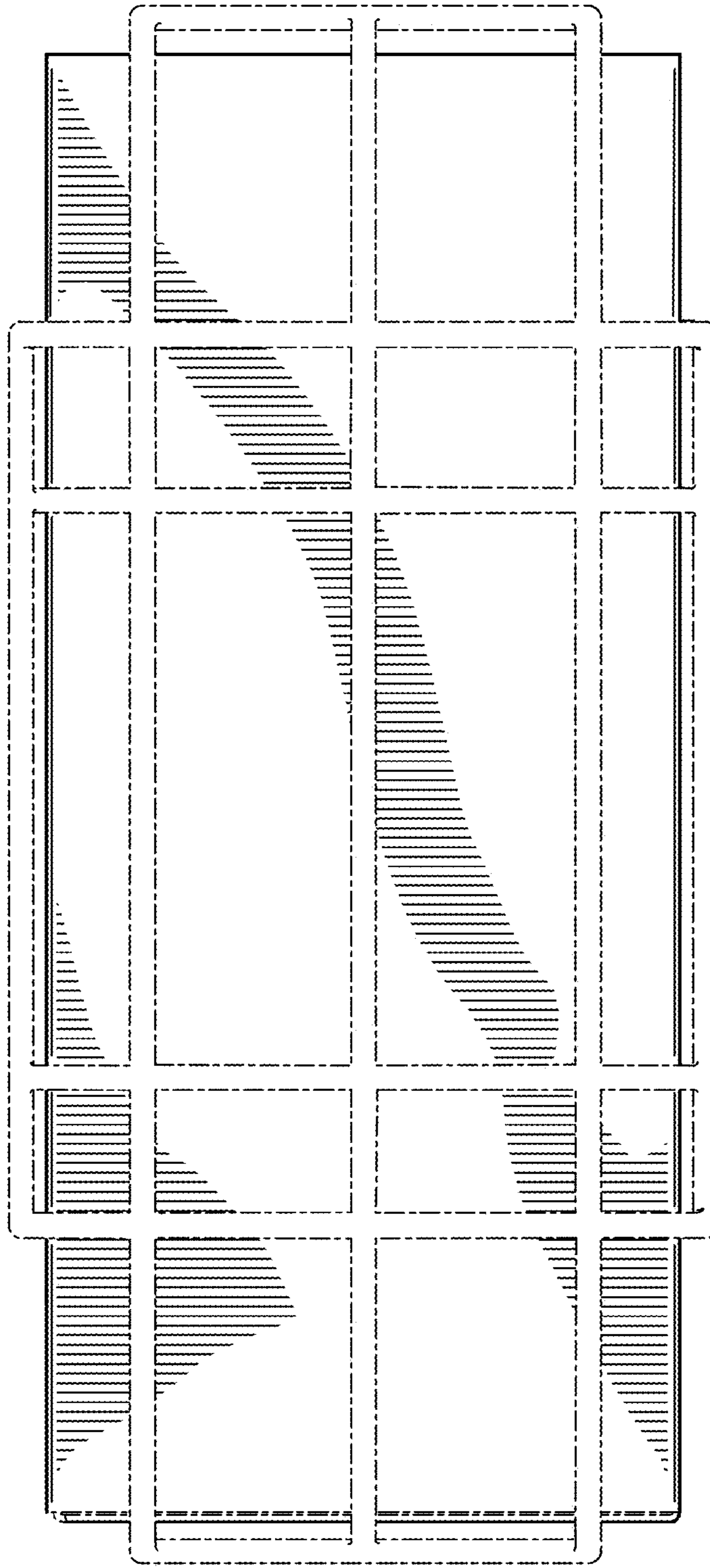


FIG. 14

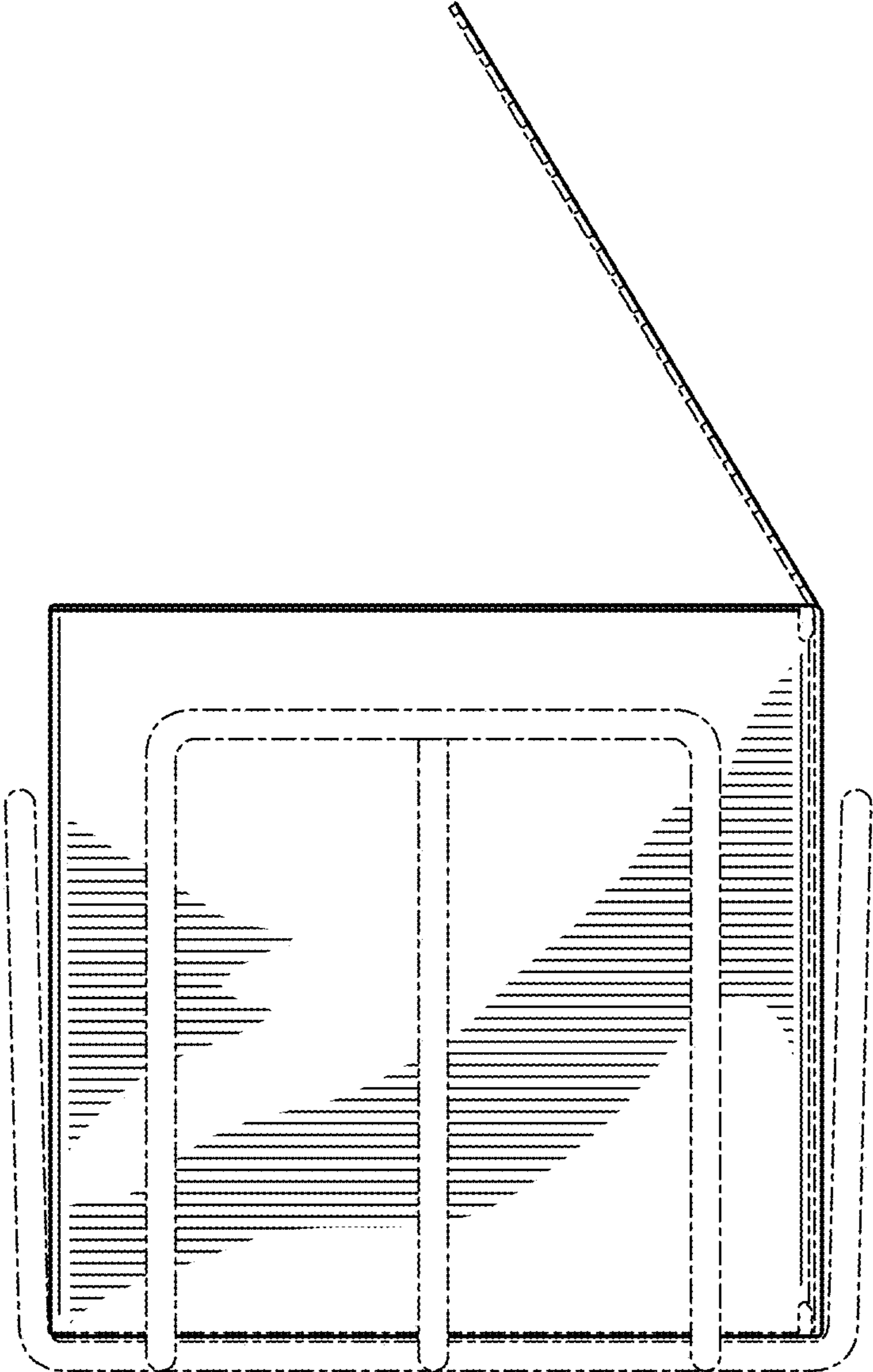


FIG. 15

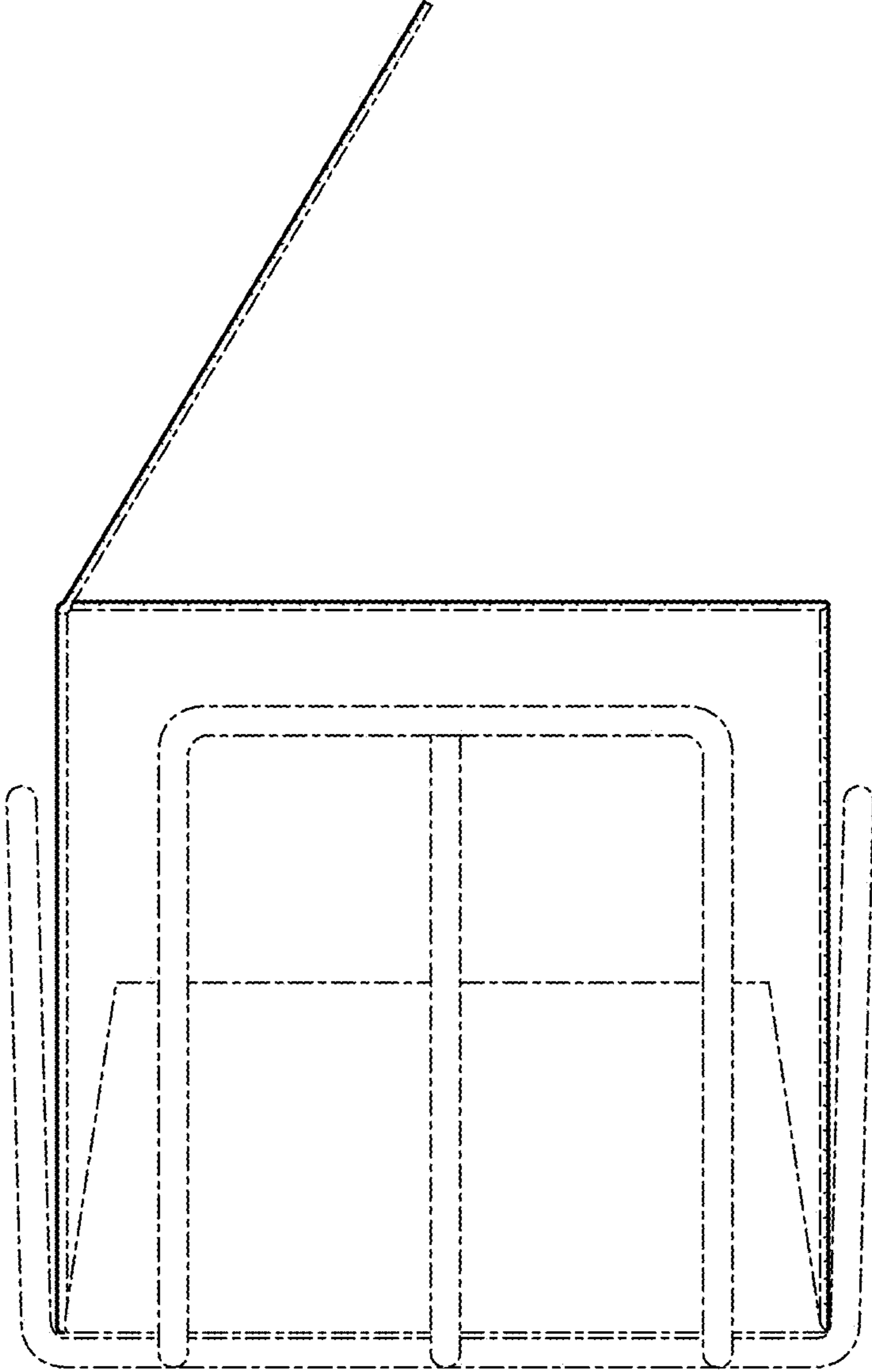


FIG. 16

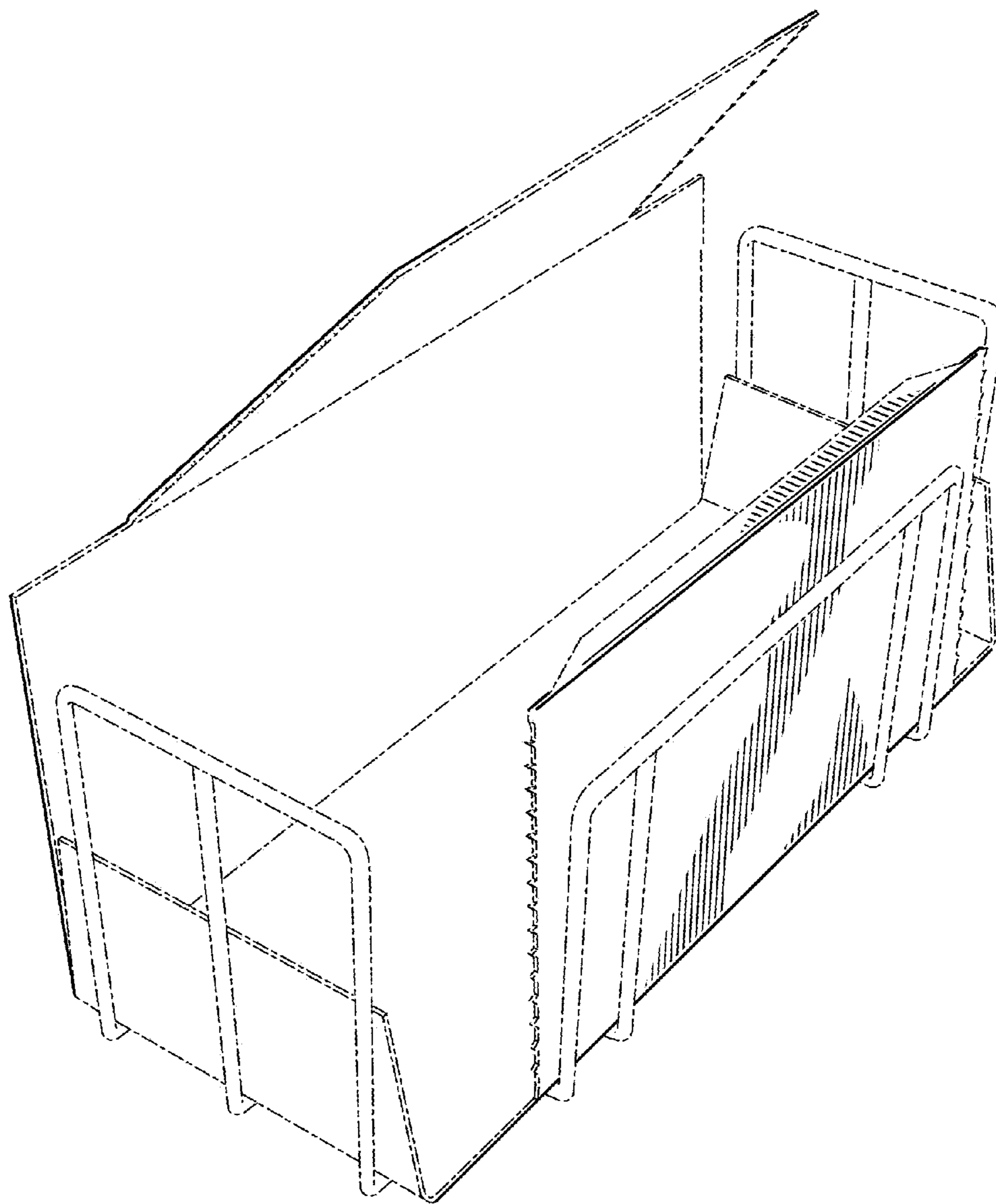


FIG. 17

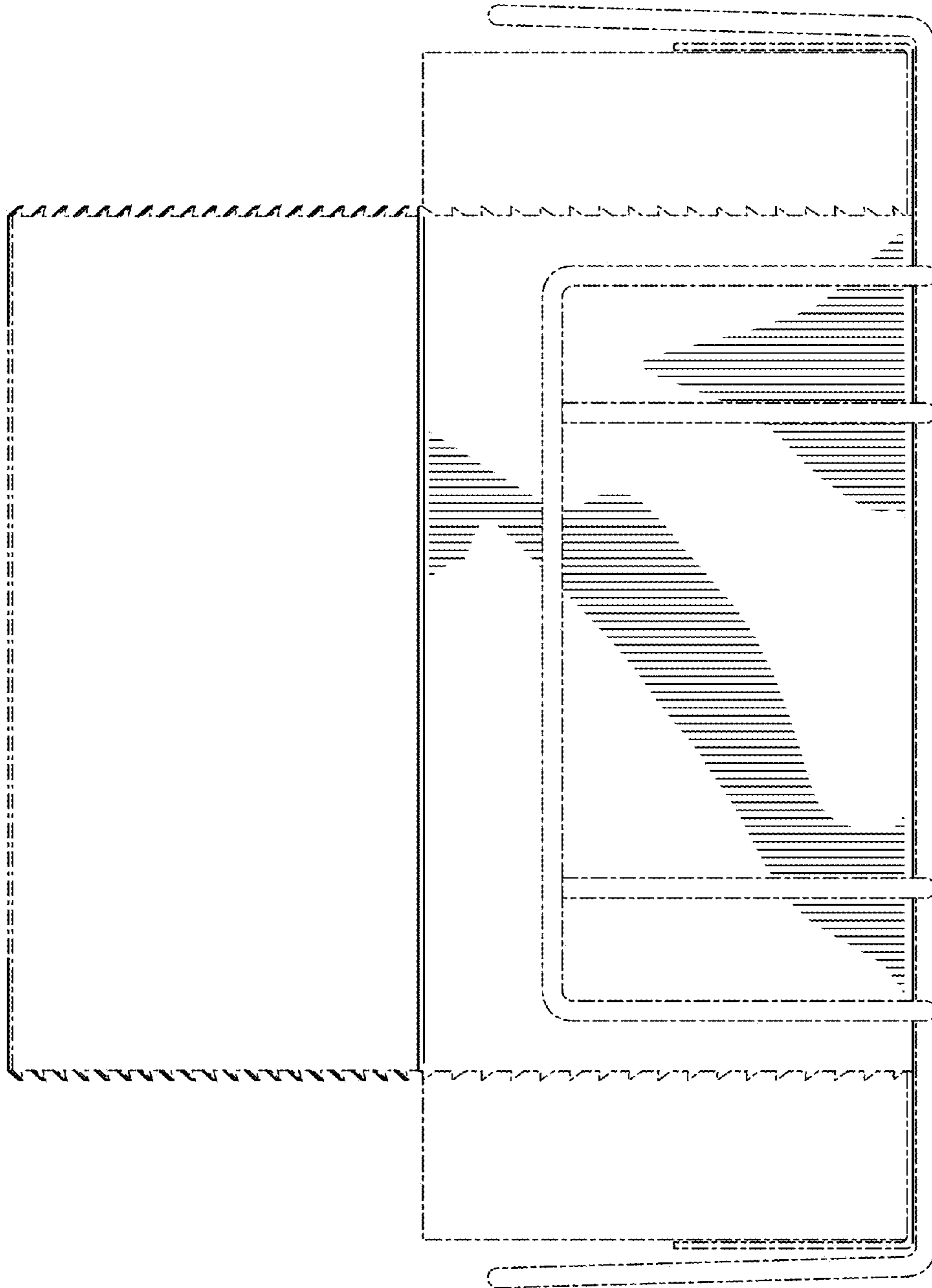


FIG. 18

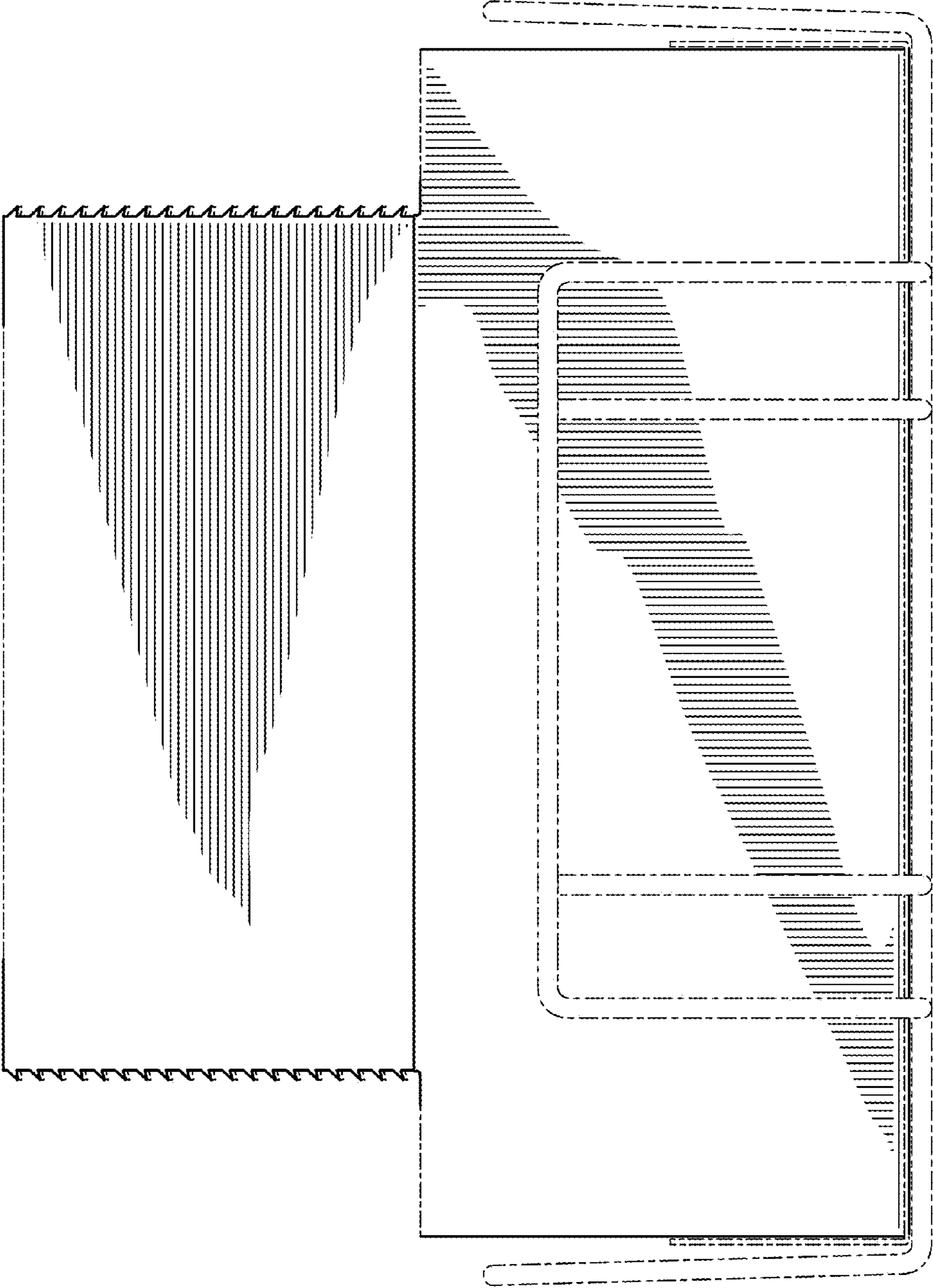


FIG. 19

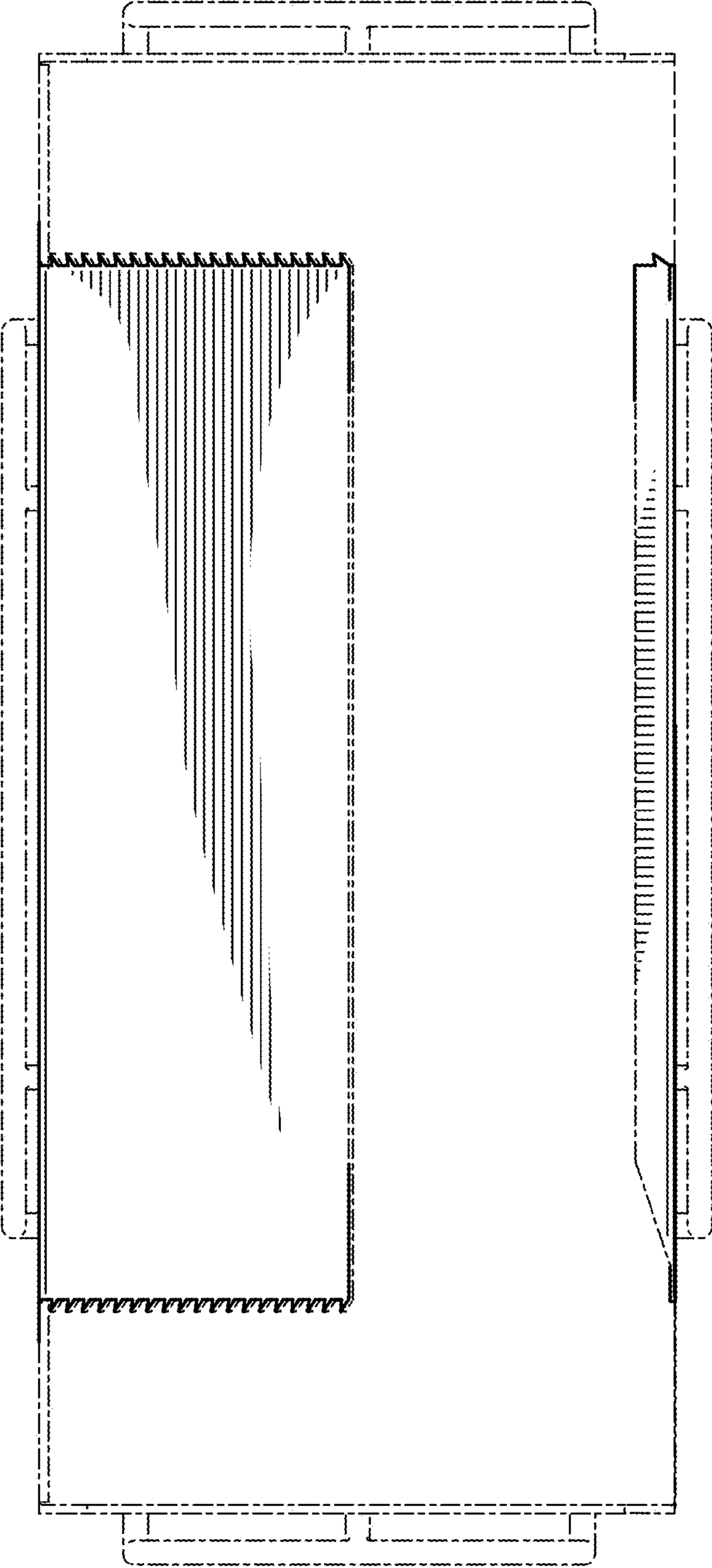


FIG. 20

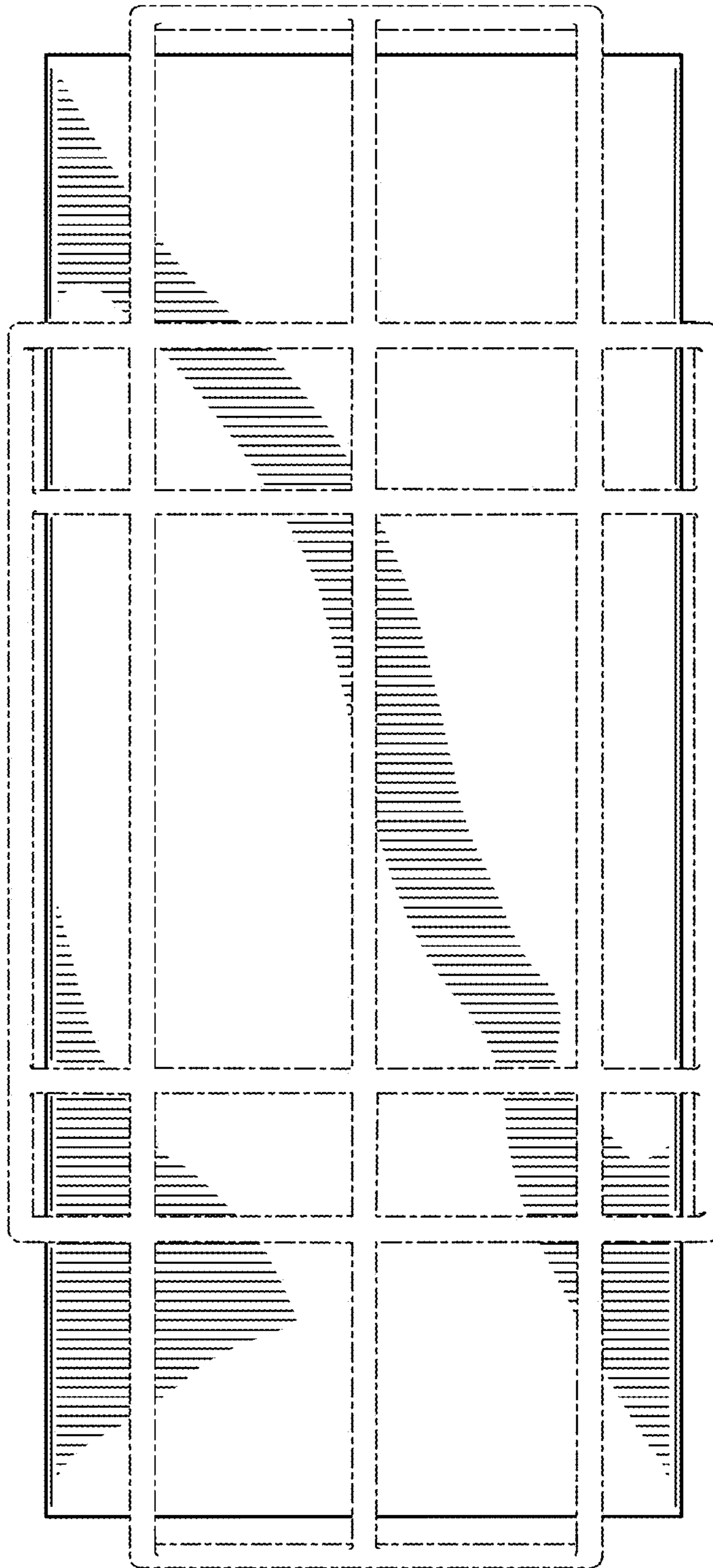


FIG. 21

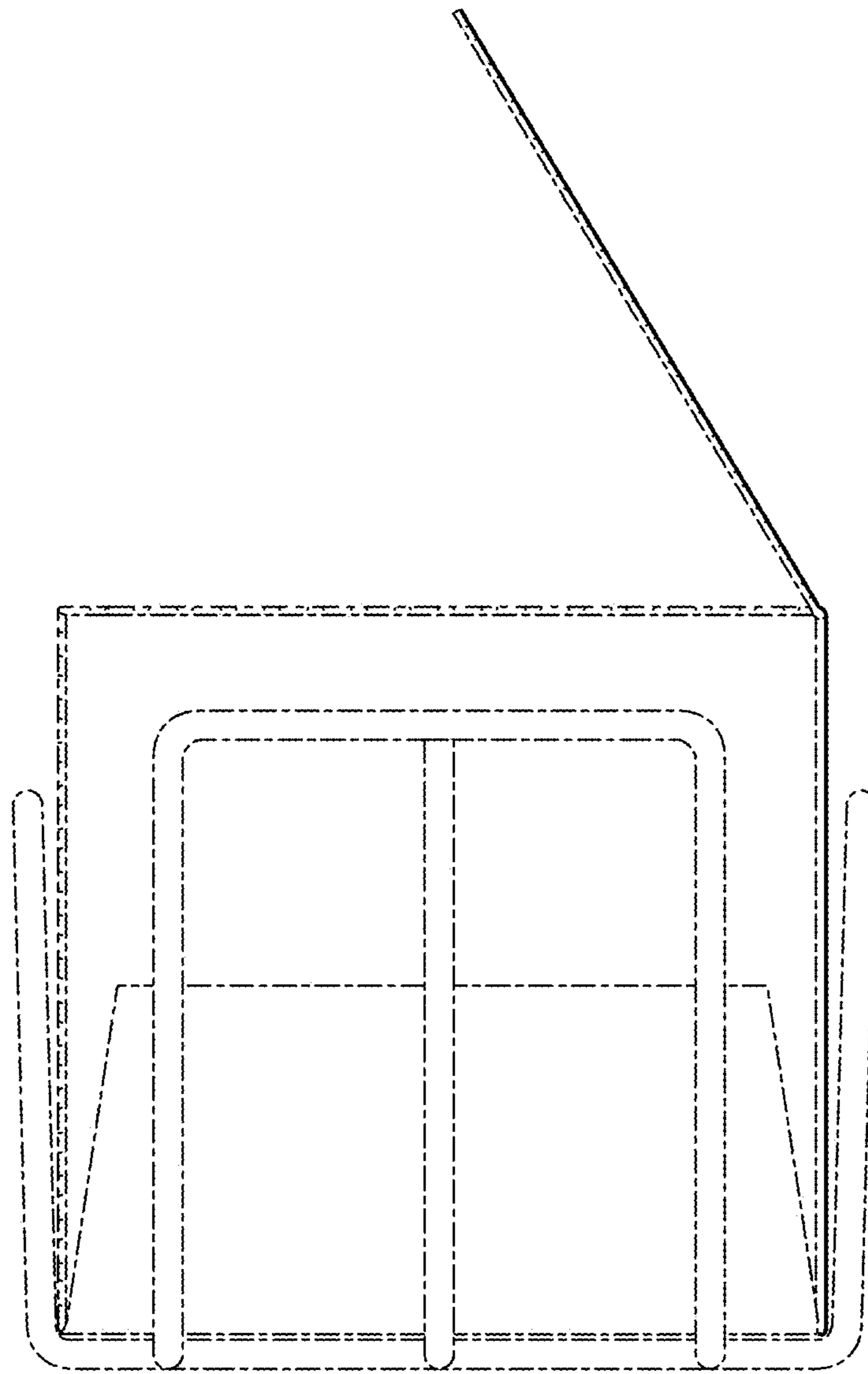


FIG. 22

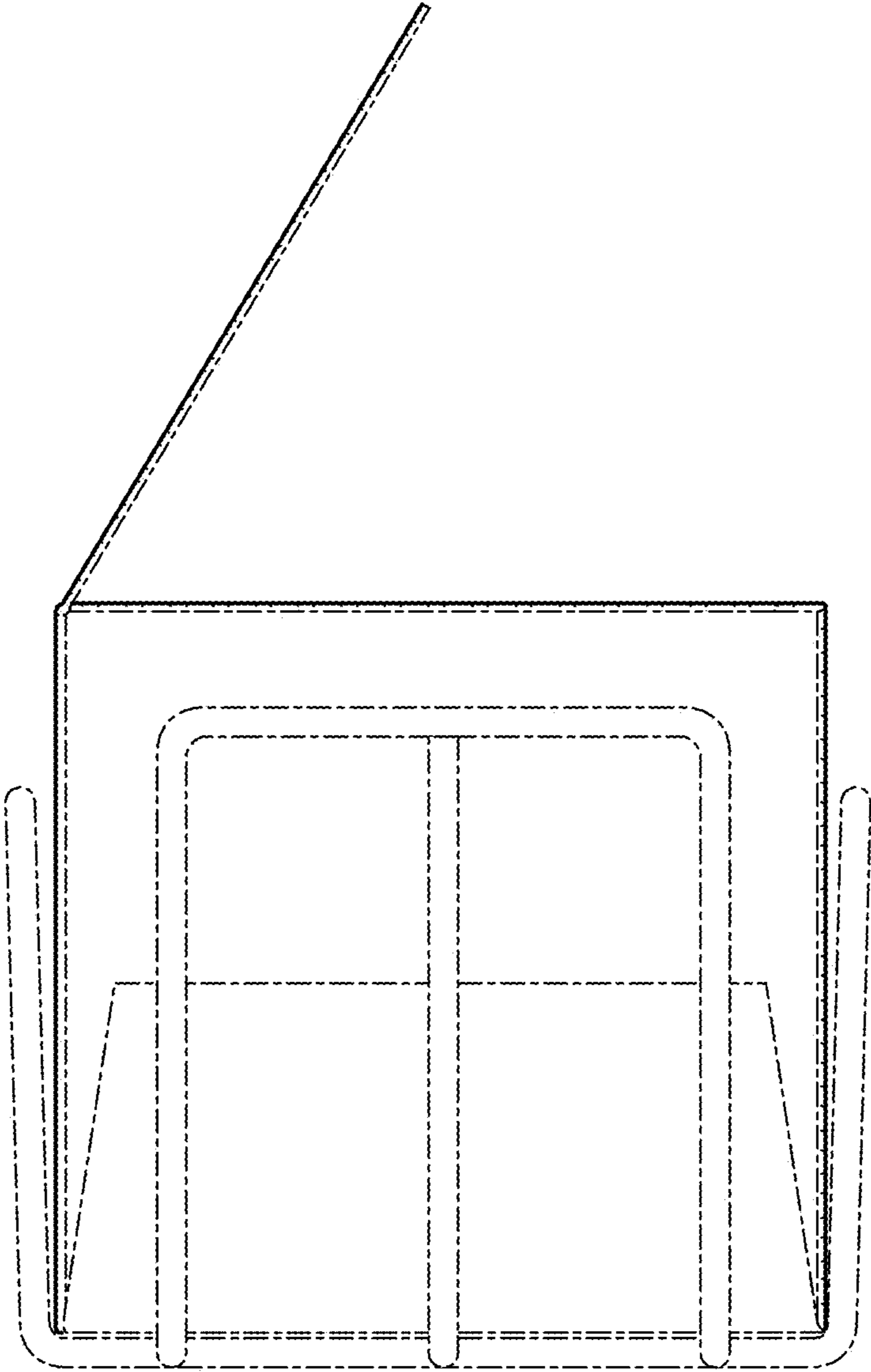


FIG. 23