



US00D706126S

(12) **United States Design Patent**
Orow

(10) **Patent No.:** **US D706,126 S**
(45) **Date of Patent:** **** Jun. 3, 2014**

(54) **COUPLING NUT**

(71) Applicants: **Robert Bosch Tool Corporation**,
Broadview, IL (US); **Robert Bosch**
GmbH, Stuttgart (DE)

(72) Inventor: **Timothy J. Orow**, Peoria, IL (US)

(73) Assignee: **Robert Bosch GmbH**, Stuttgart (DE)

(**) Term: **14 Years**

(21) Appl. No.: **29/453,309**

(22) Filed: **Apr. 26, 2013**

(51) **LOC (10) Cl.** **08-08**

(52) **U.S. Cl.**
USPC **D8/397**

(58) **Field of Classification Search**
USPC D8/397, 394, 382, 399, 356, 354, 349,
D8/70; D15/140; 16/2.1; 220/575;
206/521.15; 24/302, 16 R, 306;
439/501, 578; 381/374; D14/217, 205;
411/492, 432, 918, 179, 180, 302;
D23/262; 285/321; 403/114, 115, 145,
403/146; 81/177.7, 177.75, 177.85;
29/525.2, 592; D13/151, 133
See application file for complete search history.

(56) **References Cited**

U.S. PATENT DOCUMENTS

1,029,775	A *	6/1912	Tobin	411/191
2,552,794	A *	5/1951	Kimbell	411/427
2,727,551	A *	12/1955	Rees	411/303
D223,187	S *	3/1972	Wing	D8/397
3,702,628	A *	11/1972	Cosenza	411/280
D233,652	S *	11/1974	Wing	D8/397
4,019,550	A *	4/1977	DeHaitre	411/303
D244,908	S *	7/1977	Hatter et al.	D8/397

D244,909	S *	7/1977	Gill	D8/397
D311,131	S *	10/1990	Saito	D8/397
6,071,052	A *	6/2000	Kerr	411/302
D446,111	S *	8/2001	Hussaini	D8/397
D459,207	S *	6/2002	Miyata	D8/397
D519,076	S *	4/2006	Fox	D13/133
7,063,565	B2 *	6/2006	Ward	439/578
D535,259	S *	1/2007	Rodrigues et al.	D13/151
D551,972	S *	10/2007	Jacobs et al.	D9/445
D581,777	S *	12/2008	Huang	D8/397
D601,507	S *	10/2009	Rodrigues	D13/151
2005/0136735	A1 *	6/2005	Rodrigues et al.	439/578

* cited by examiner

Primary Examiner — Cynthia Underwood

(74) *Attorney, Agent, or Firm* — Maginot, Moore & Beck

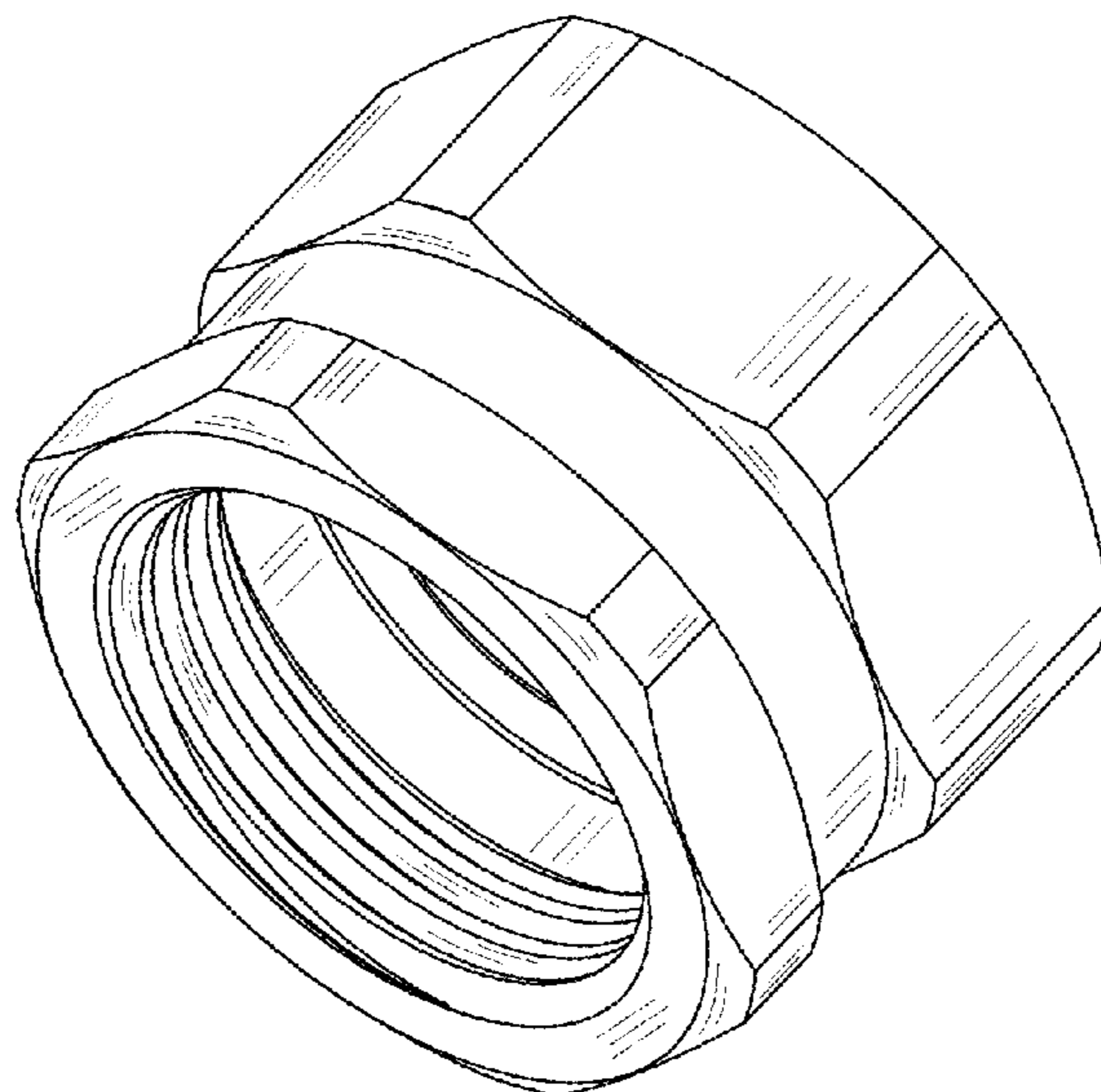
(57) **CLAIM**

The ornamental design for a coupling nut, as shown and described.

DESCRIPTION

FIG. 1 is a perspective view of a coupling nut showing my new design;
FIG. 2 is a front elevational view showing the design for the coupling nut of FIG. 1;
FIG. 3 is a rear elevational view showing the design for the coupling nut of FIG. 1;
FIG. 4 is a left side elevational view showing the design for the coupling nut of FIG. 1;
FIG. 5 is a right side elevational view showing the design for the coupling nut of FIG. 1;
FIG. 6 is a top plan view showing the design for the coupling nut of FIG. 1; and,
FIG. 7 is a bottom plan view showing the design for the coupling nut of FIG. 1.
The broken lines shown in the drawings illustrate portions of the coupling nut that form no part of the claimed design.

1 Claim, 4 Drawing Sheets



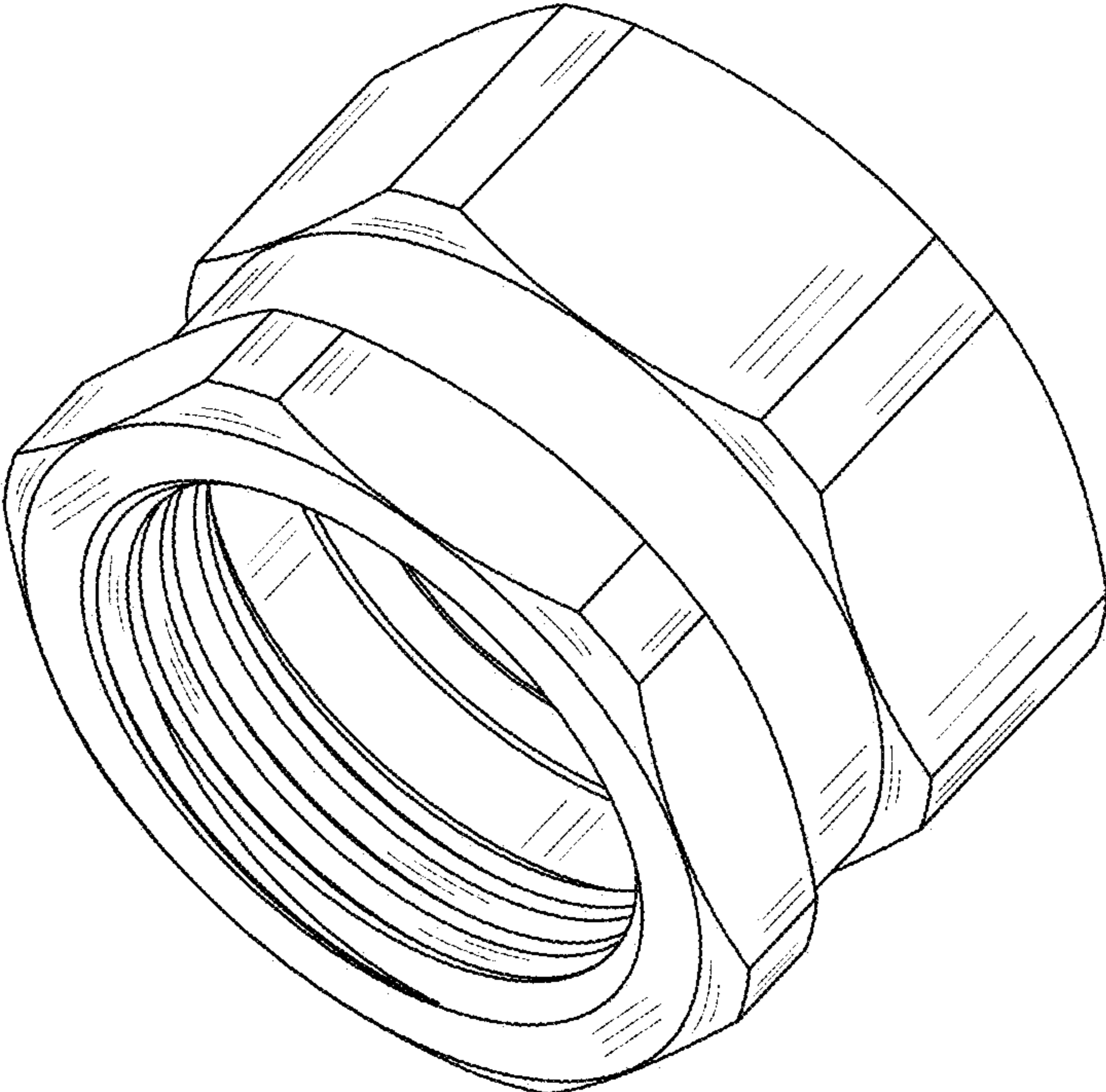


FIG. 1

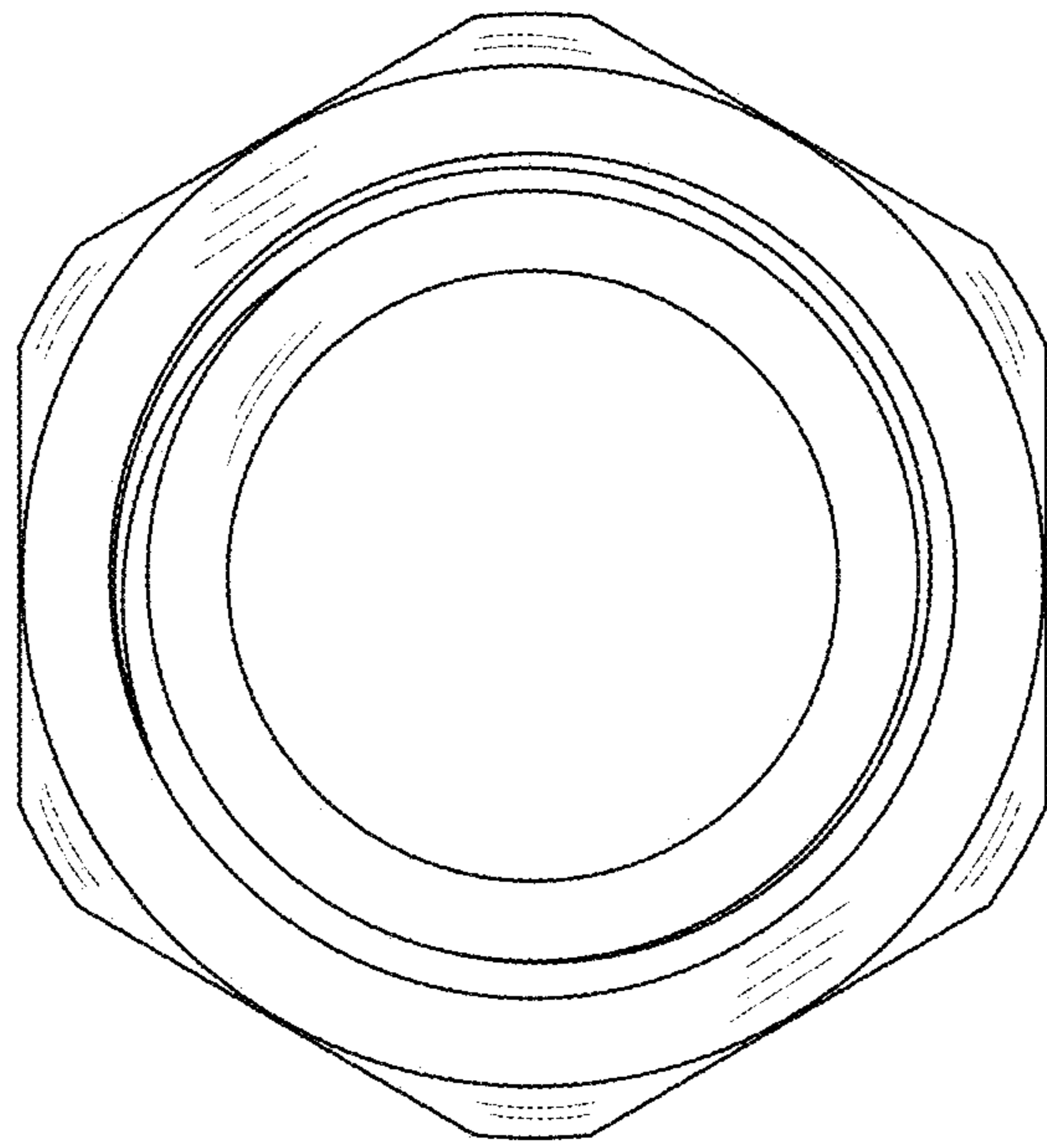


FIG. 2

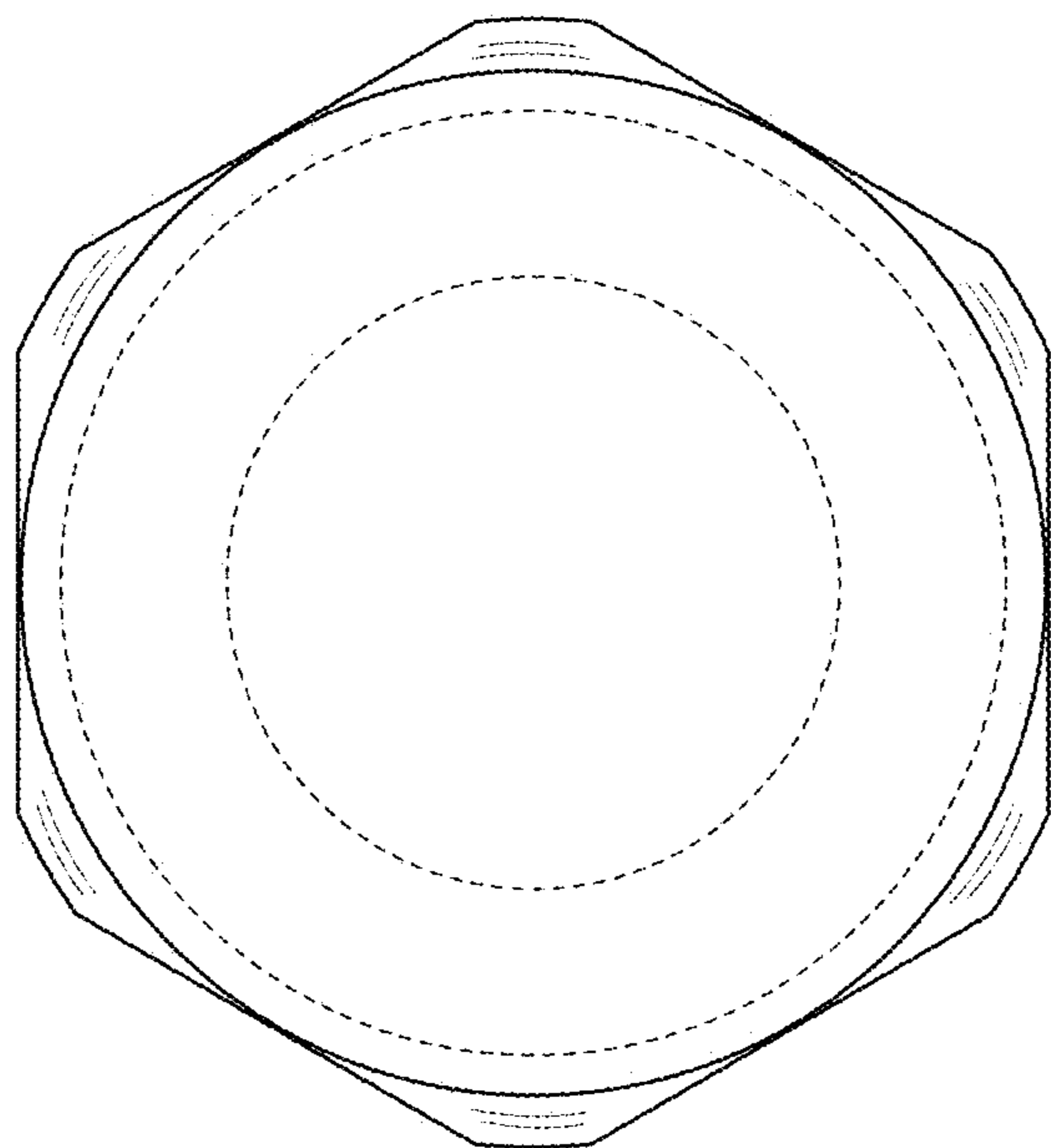


FIG. 3

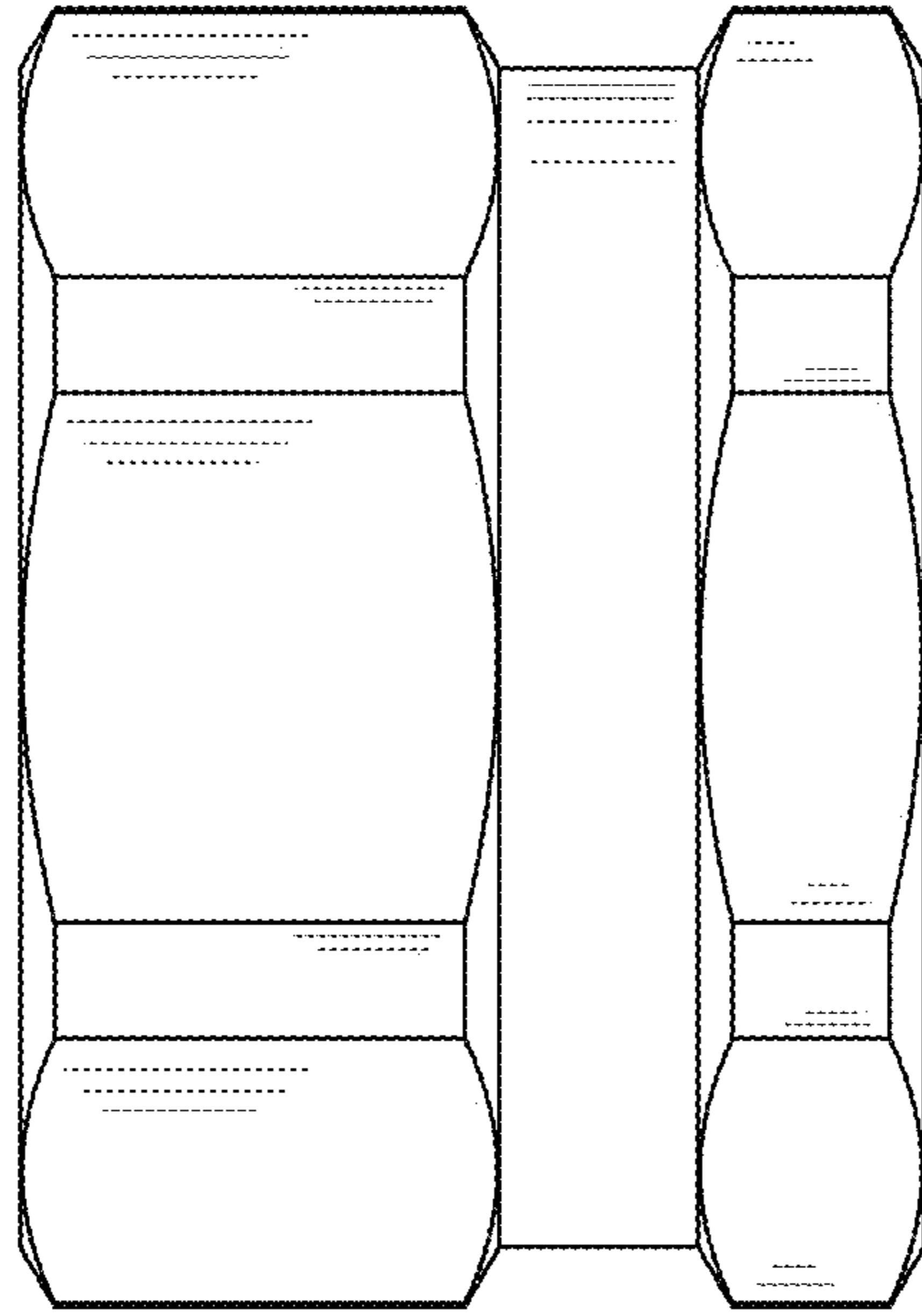


FIG. 4

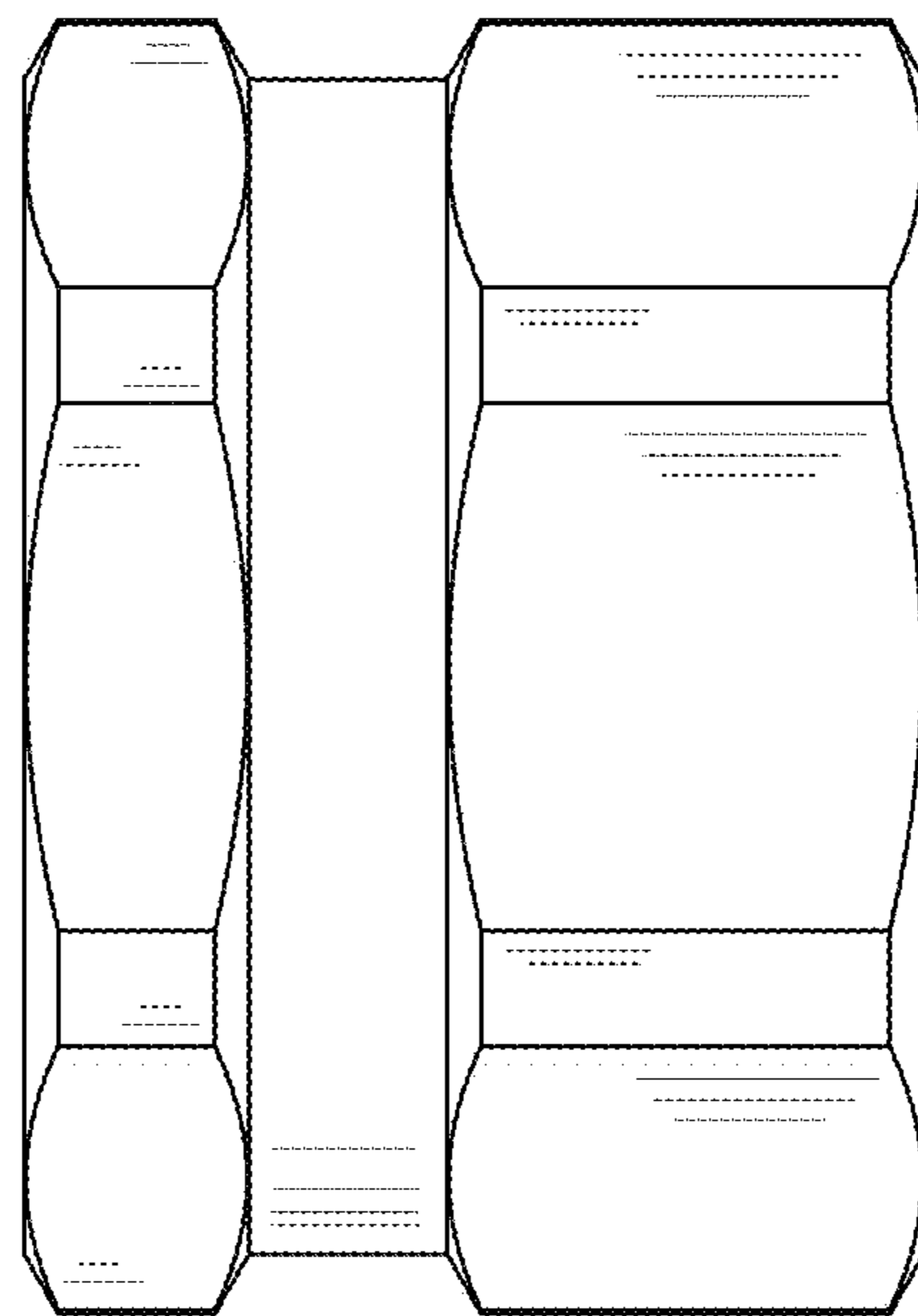


FIG. 5

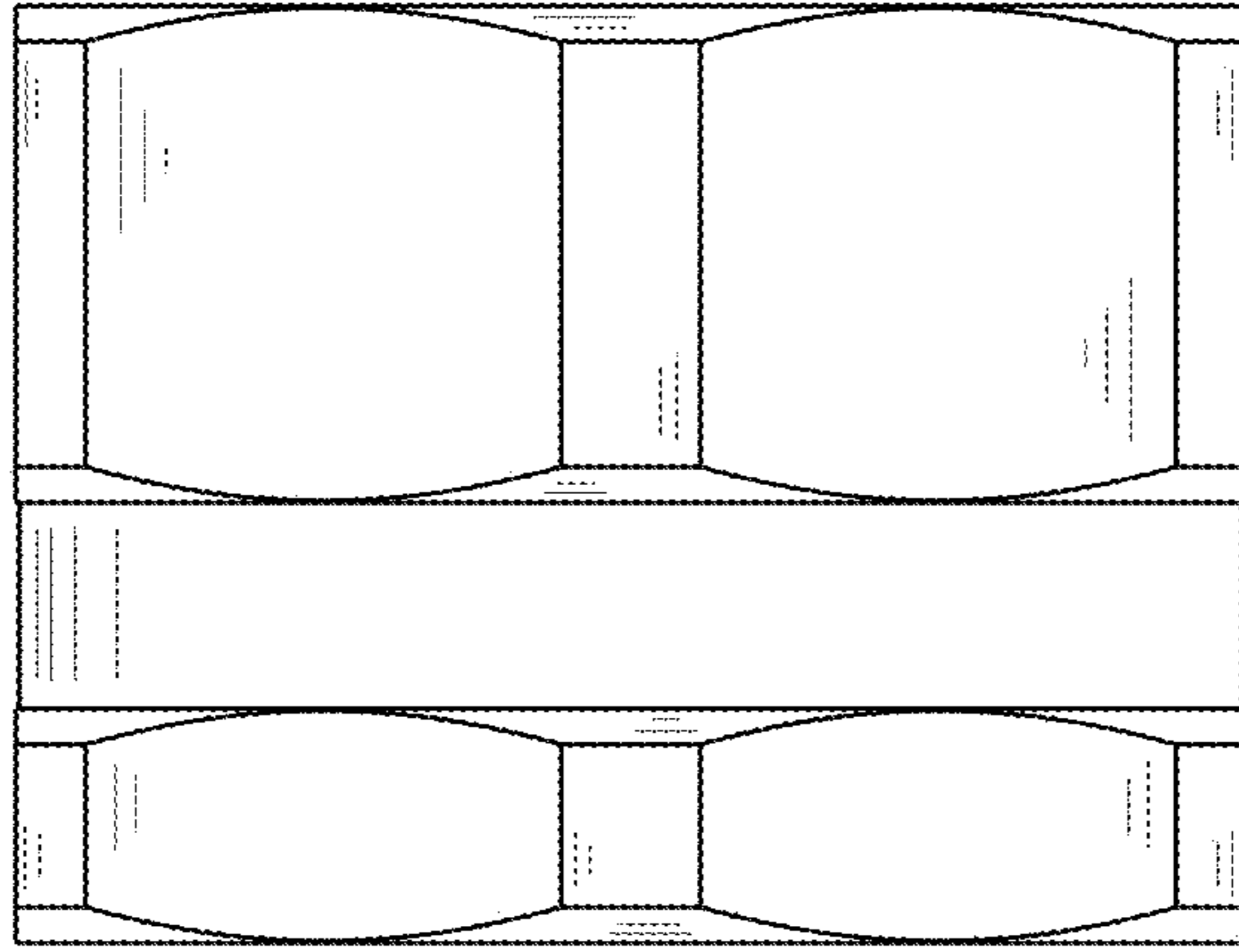


FIG. 6

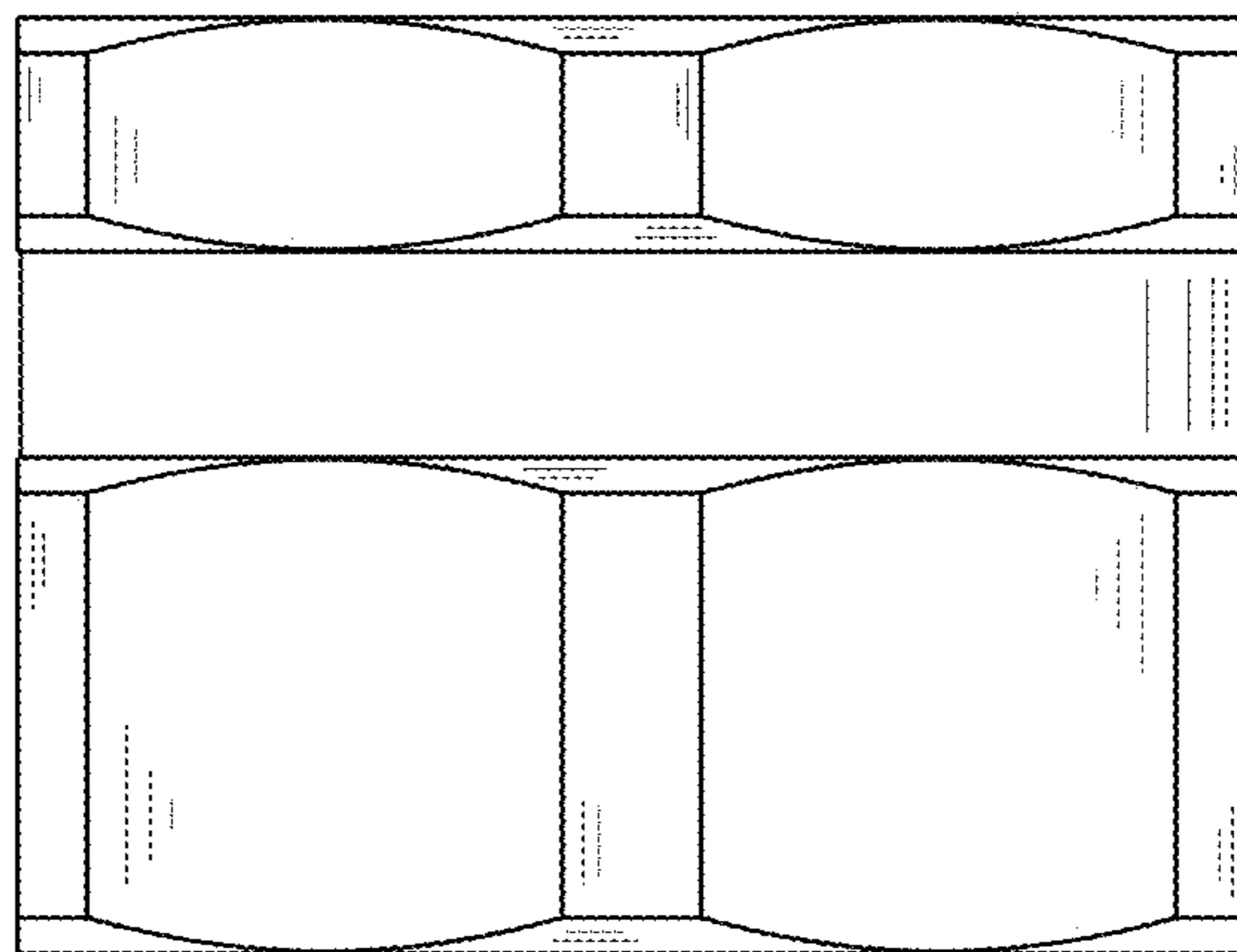


FIG. 7