



US00D706125S

(12) **United States Design Patent**  
**Wendt**

(10) **Patent No.:** **US D706,125 S**  
(45) **Date of Patent:** **\*\* Jun. 3, 2014**

- (54) **CONNECTING ELEMENT**
- (71) Applicant: **PilePro LLC**, Austin, TX (US)
- (72) Inventor: **Roberto Redondo Wendt**, Austin, TX (US)
- (73) Assignee: **PilePro LLC**, Austin, TX (US)
- (\*\*) Term: **14 Years**
- (21) Appl. No.: **29/470,495**
- (22) Filed: **Oct. 22, 2013**

(30) **Foreign Application Priority Data**

Apr. 22, 2013 (DE) ..... 402013001869

- (51) **LOC (10) Cl.** ..... **08-08**
- (52) **U.S. Cl.**  
USPC ..... **D8/395**; D25/119; D8/382
- (58) **Field of Classification Search**  
USPC ..... D8/354, 356, 371, 394-396; D19/65,  
D19/86; D24/128; 248/74.2, 215, 227.1, 49,  
248/300, 301, 316.7, 51, 489; 24/570, 3.12;  
D32/61; D11/78.1; D25/119, 124  
See application file for complete search history.

(56) **References Cited**

**U.S. PATENT DOCUMENTS**

- D463,578 S \* 9/2002 Wall ..... D25/121
- D471,083 S \* 3/2003 Wall ..... D8/382
- D479,798 S \* 9/2003 Wall ..... D8/382

- D521,365 S \* 5/2006 Wall ..... D8/382
- D526,888 S \* 8/2006 Heindl ..... D8/382
- D530,190 S \* 10/2006 Wall ..... D8/382
- D541,638 S \* 5/2007 Heindl ..... D8/382
- D542,643 S \* 5/2007 Heindl ..... D8/382
- D543,100 S \* 5/2007 Heindl ..... D8/382
- 7,413,386 B2 \* 8/2008 Heindl et al. .... 405/279
- D623,930 S \* 9/2010 Austro ..... D8/382
- D623,931 S \* 9/2010 Austro ..... D8/382
- D623,932 S \* 9/2010 Austro ..... D8/382
- D635,166 S \* 3/2011 Malmberg ..... D15/147
- D681,430 S \* 5/2013 Heindl ..... D8/382
- D681,431 S \* 5/2013 Heindl ..... D8/382
- 2002/0102131 A1 \* 8/2002 Wall ..... 403/363

\* cited by examiner

*Primary Examiner* — John Windmuller

(74) *Attorney, Agent, or Firm* — Merchant & Gould P.C.

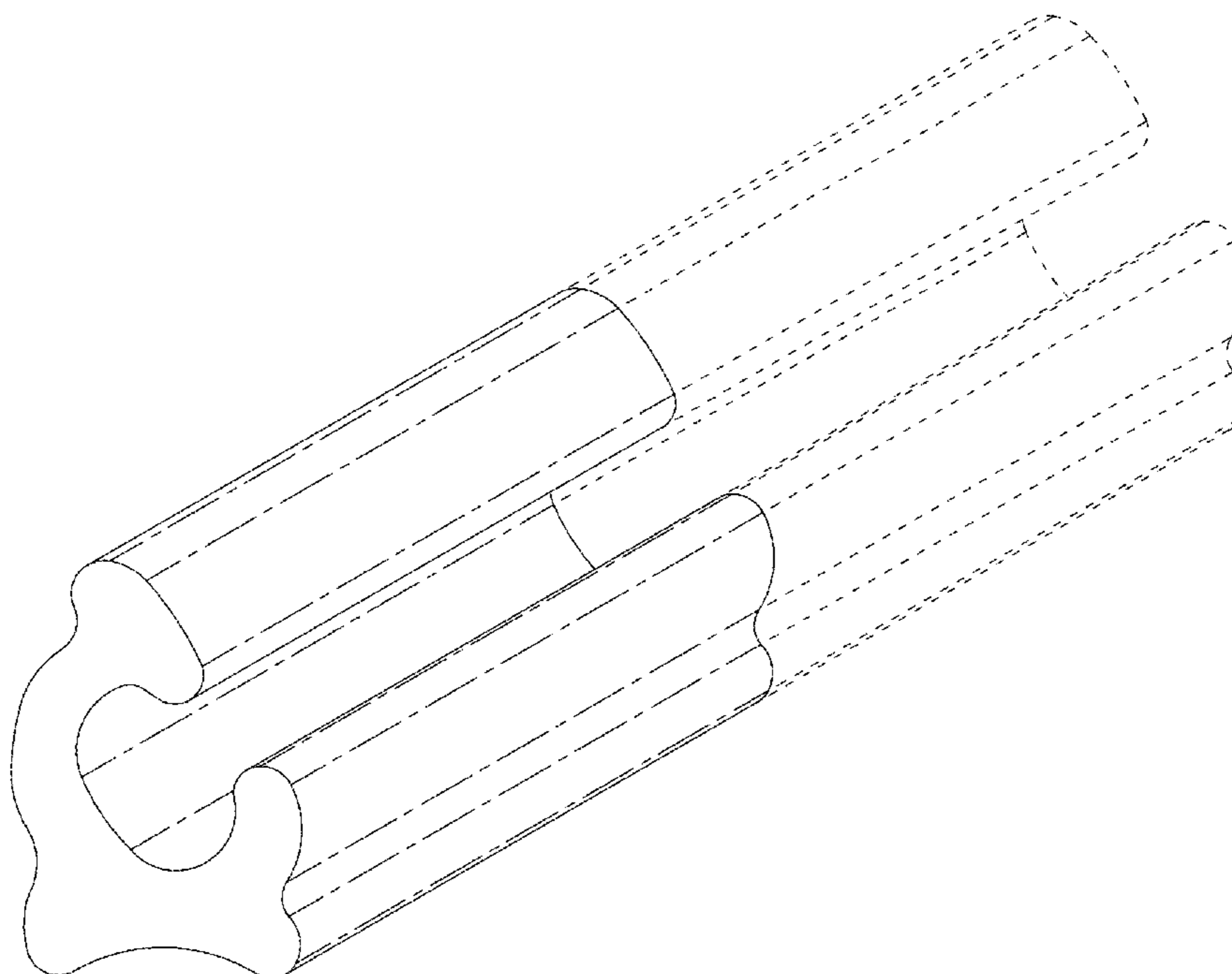
(57) **CLAIM**

The ornamental design for connecting element, as shown and described.

**DESCRIPTION**

FIG. 1 is a perspective view of showing my design thereof;  
 FIG. 2 is a an end view, the opposite end view being a mirror image;  
 FIG. 3 is a front view;  
 FIG. 4 is a rear view;  
 FIG. 5 is a top view; and,  
 FIG. 6 bottom view of thereof.  
 The broken lines in the figures depict a portion of the connecting element that forms no part of the claimed design.

**1 Claim, 6 Drawing Sheets**



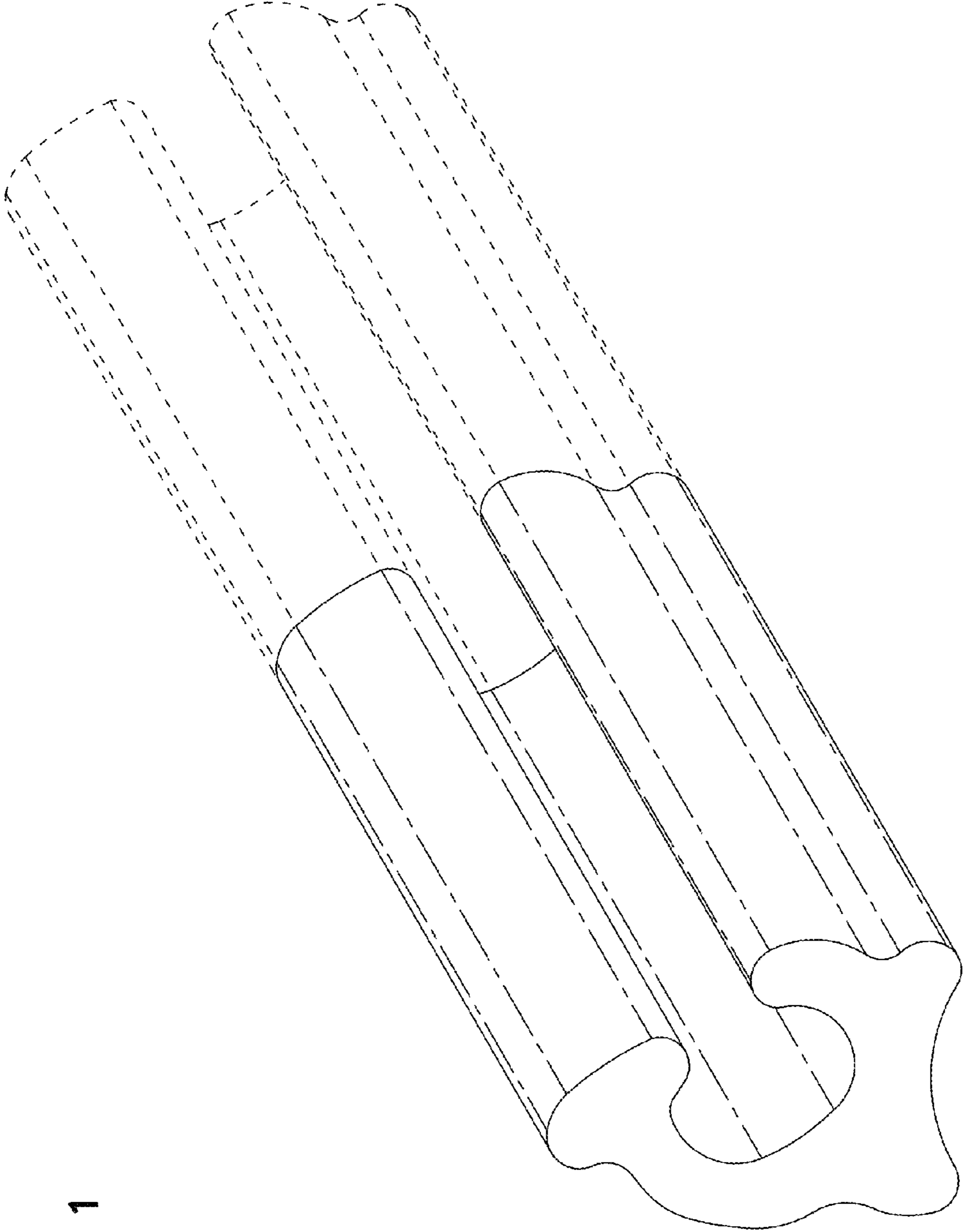


FIG. 1

FIG. 2

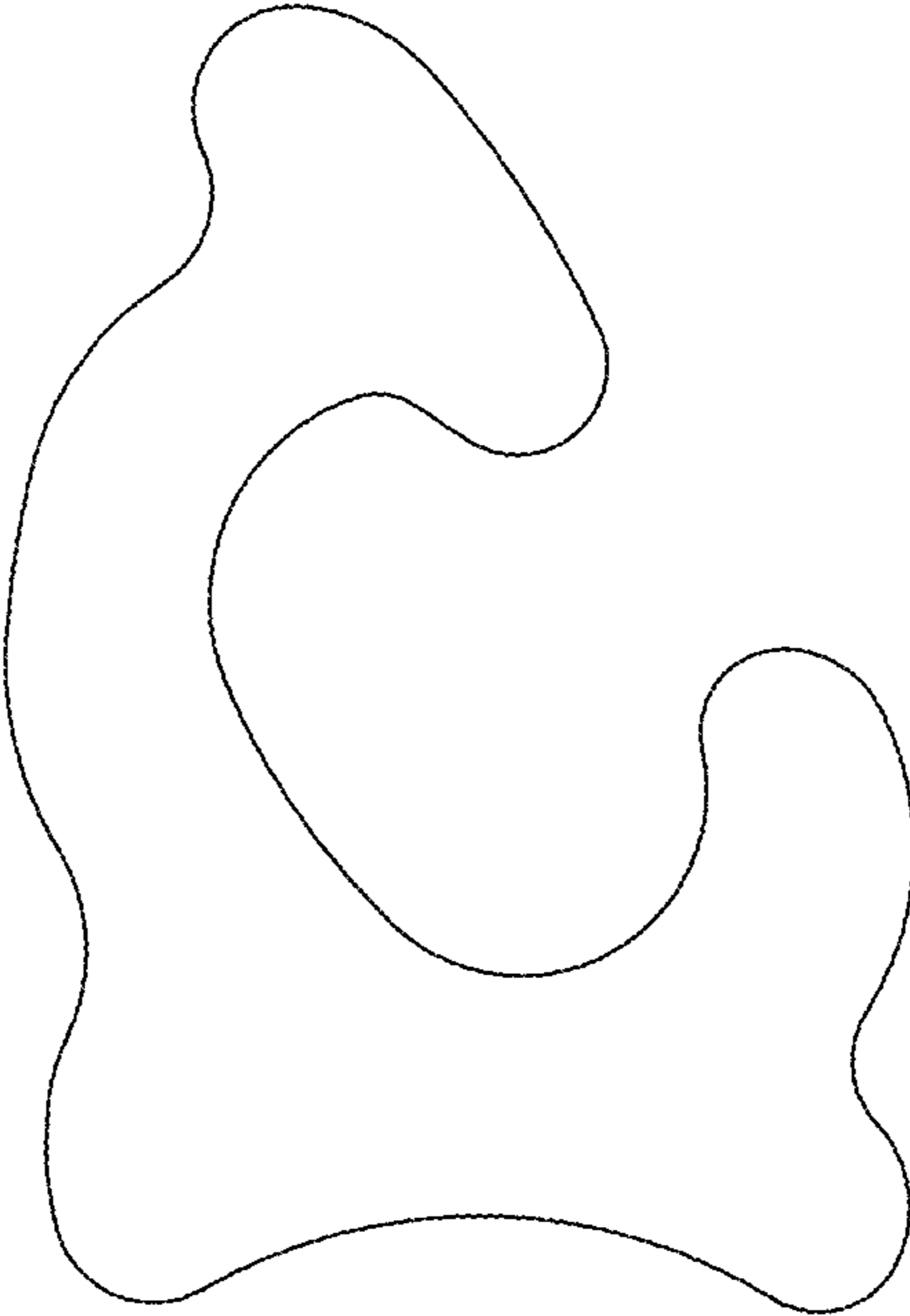
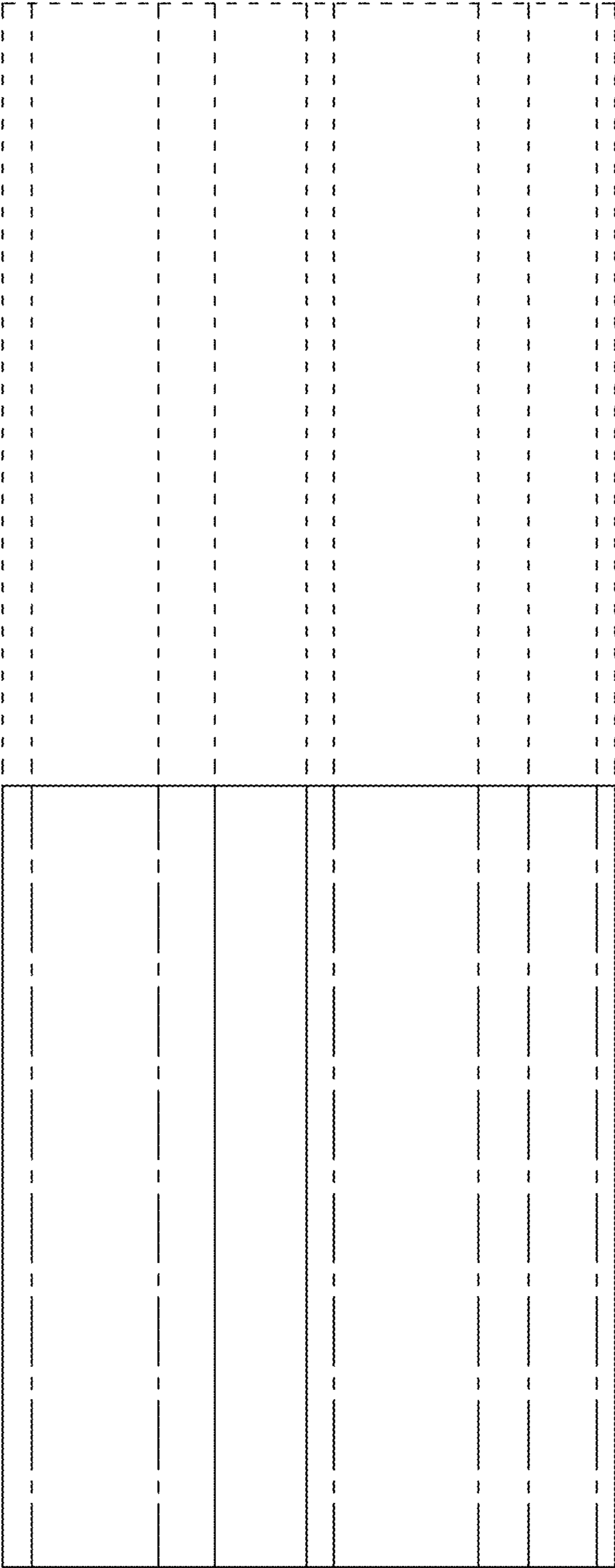


FIG. 3



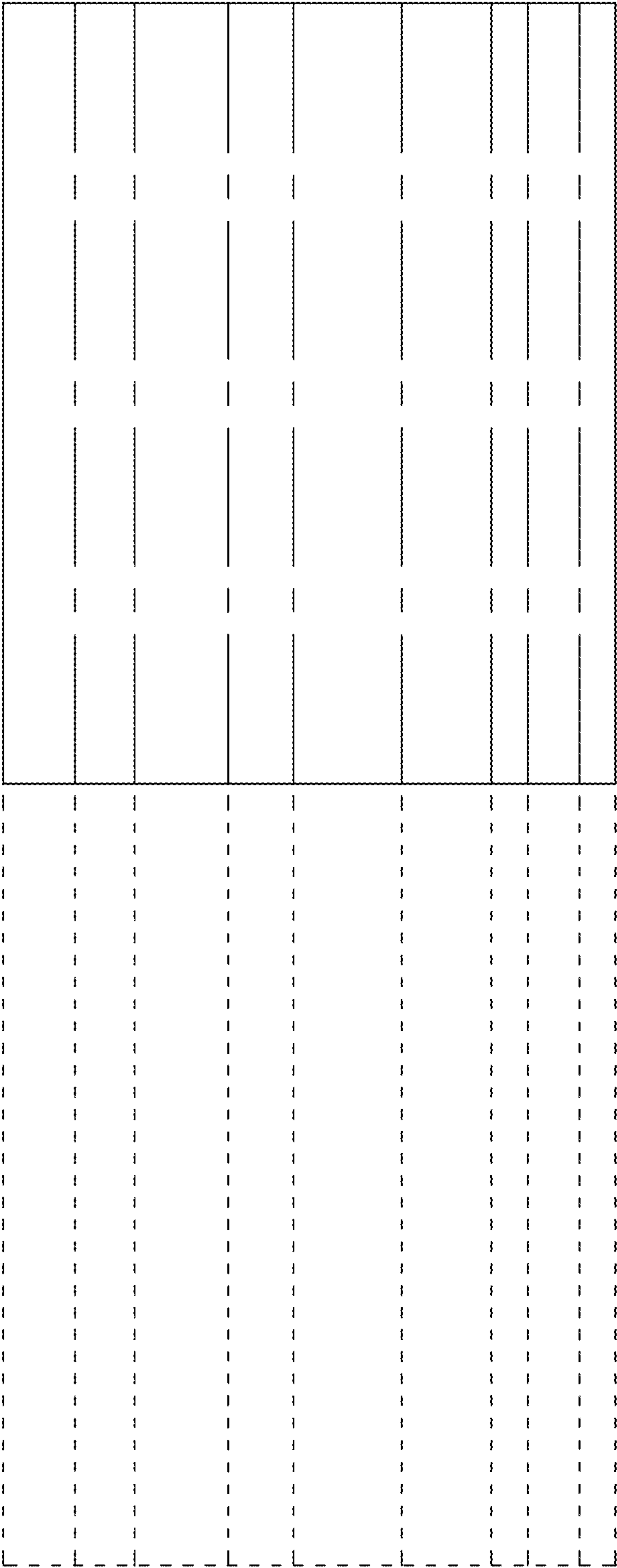


FIG. 4

FIG. 5

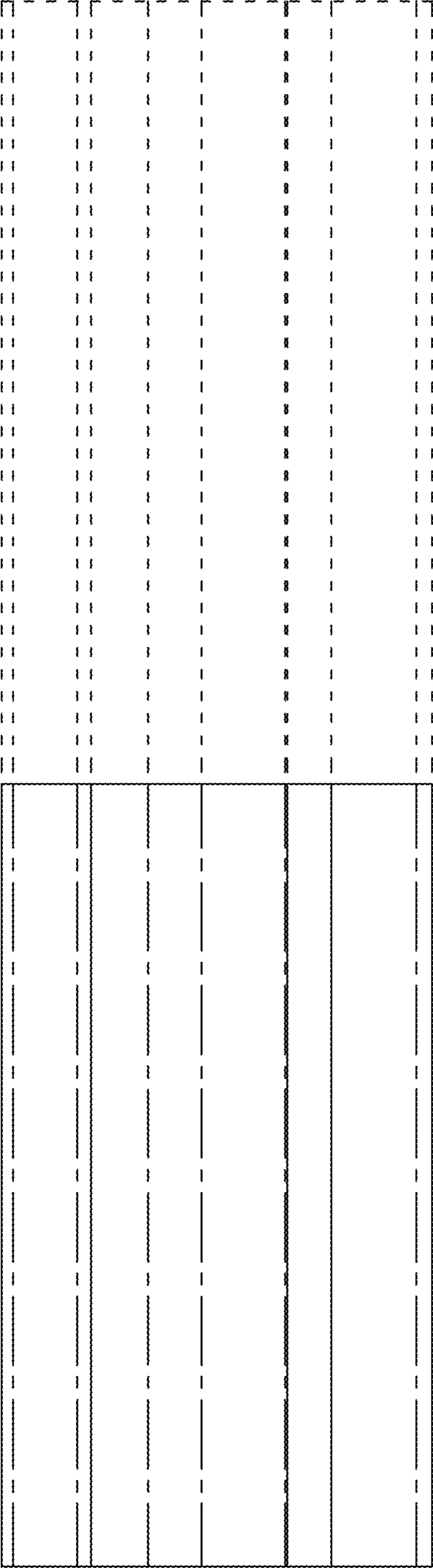


FIG. 6

