



US00D706123S

(12) **United States Design Patent**
Mathews et al.

(10) **Patent No.:** **US D706,123 S**
(45) **Date of Patent:** **** Jun. 3, 2014**

(54) **COILED CHAIN WITH CLASPS**

(75) Inventors: **William Mathews**, Woodstock, GA
(US); **Mark Caldwell**, Woodstock, GA
(US)

(73) Assignee: **Python Safety, Inc.**, Woodstock, GA
(US)

(**) Term: **14 Years**

(21) Appl. No.: **29/424,079**

(22) Filed: **Jun. 7, 2012**

(51) **LOC (10) Cl.** **08-08**

(52) **U.S. Cl.**
USPC **D8/382**

(58) **Field of Classification Search**
USPC D8/382, 349, 399; D6/718.31; 248/200,
248/300; D21/679

See application file for complete search history.

(56) **References Cited**

U.S. PATENT DOCUMENTS

D264,738 S * 6/1982 Cooper D21/679
D651,828 S * 1/2012 DeMoss et al. D6/504
D681,980 S * 5/2013 DeFranks D6/718.31

* cited by examiner

Primary Examiner — Sheryl Lane

(74) *Attorney, Agent, or Firm* — McClure, Qualey & Rodack, LLP

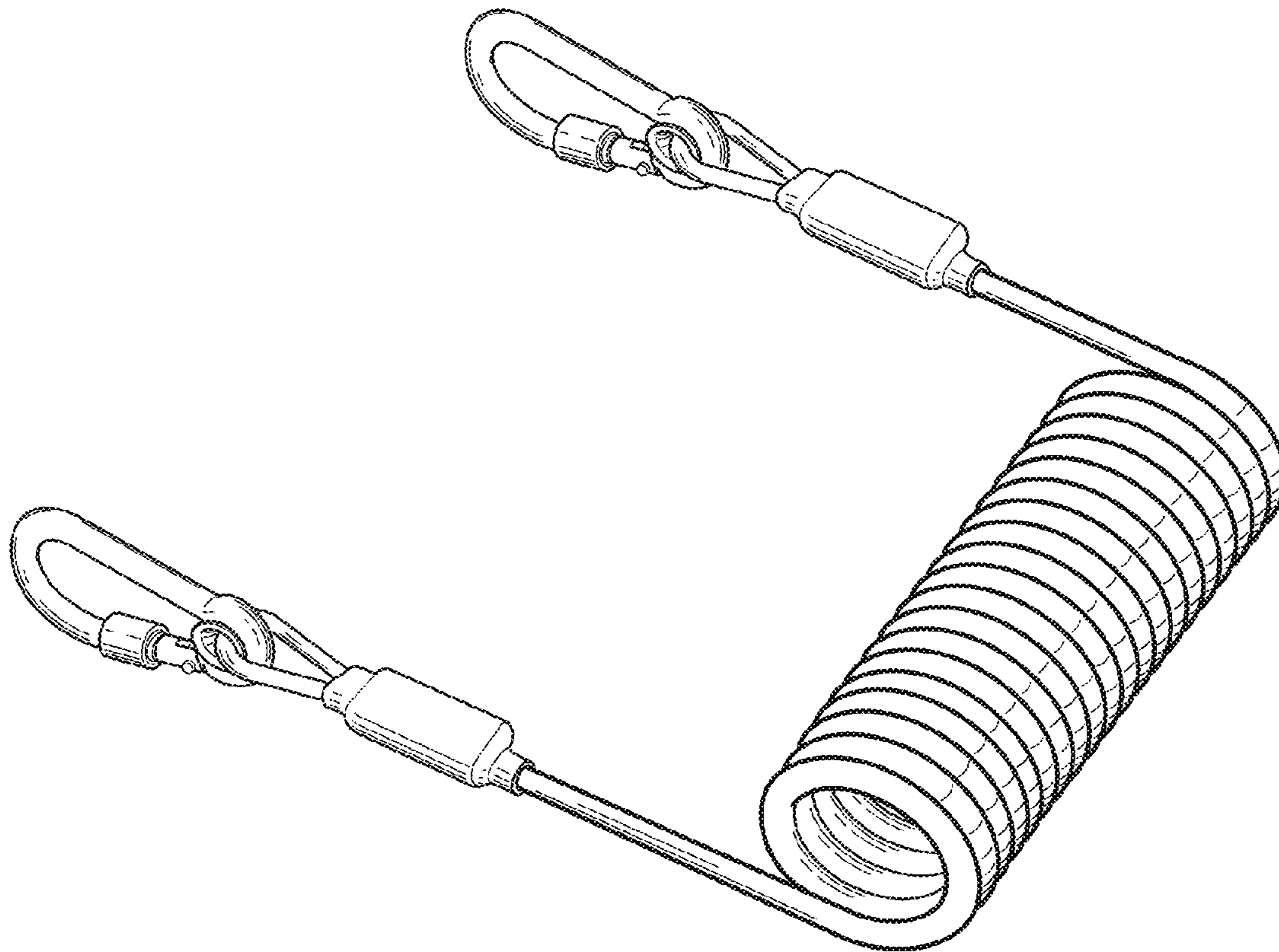
(57) **CLAIM**

The ornamental design of a coiled chain with clasps, as shown and described.

DESCRIPTION

FIG. 1 is a perspective view showing our new coiled chain with clasps;
FIG. 2 is a left side view thereof;
FIG. 3 is a right side view thereof;
FIG. 4 is a front view thereof;
FIG. 5 is a back view thereof;
FIG. 6 is a top view thereof; and,
FIG. 7 is a bottom view thereof.

1 Claim, 4 Drawing Sheets



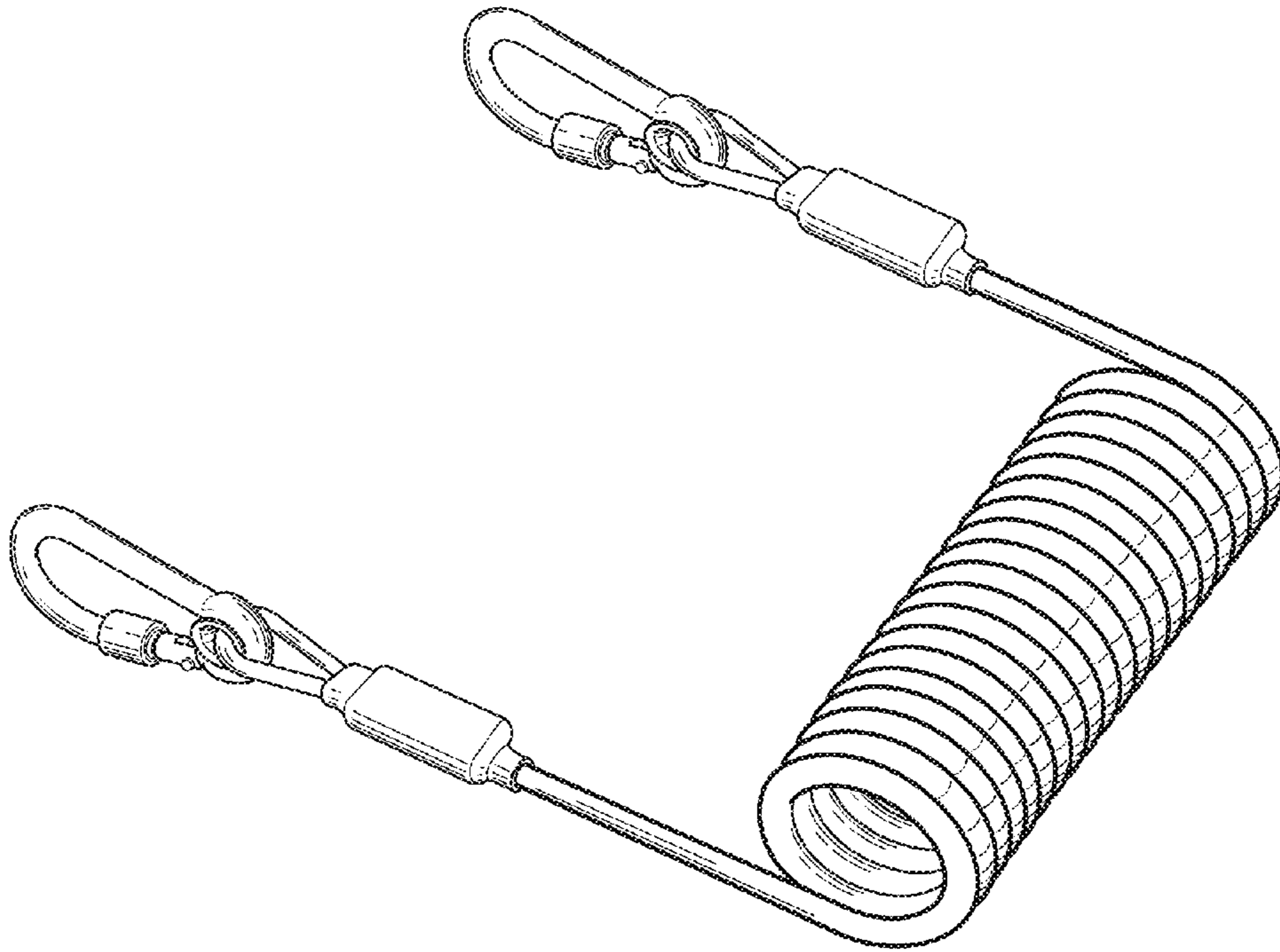


FIG. 1

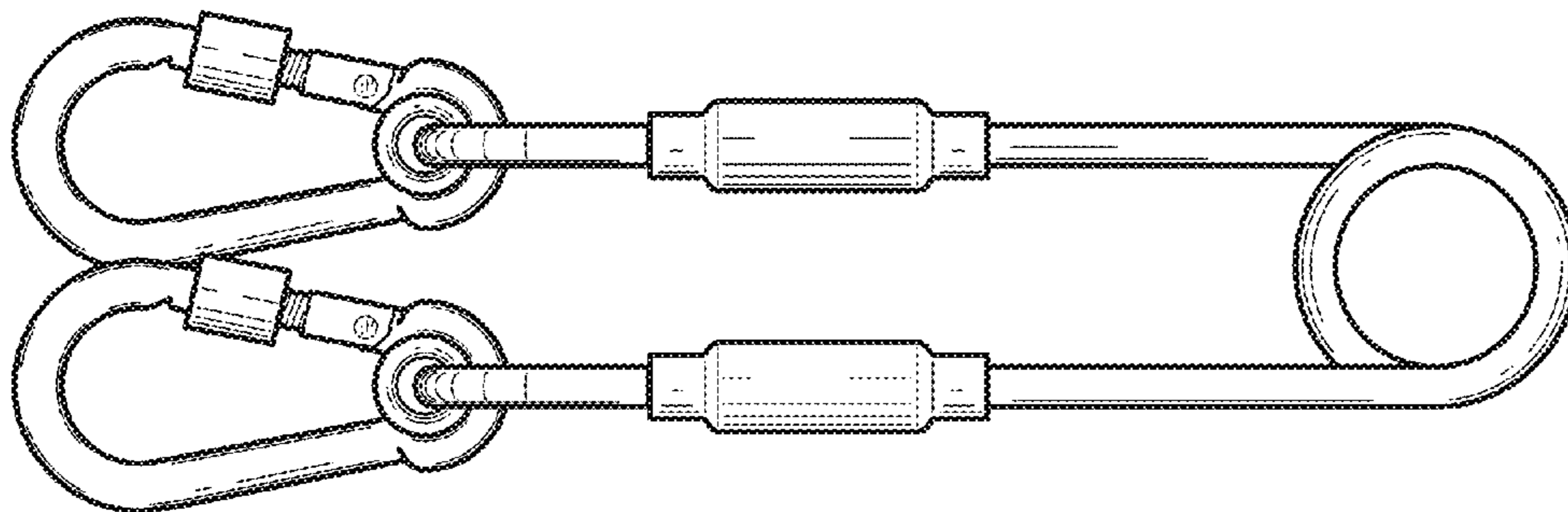


FIG. 2

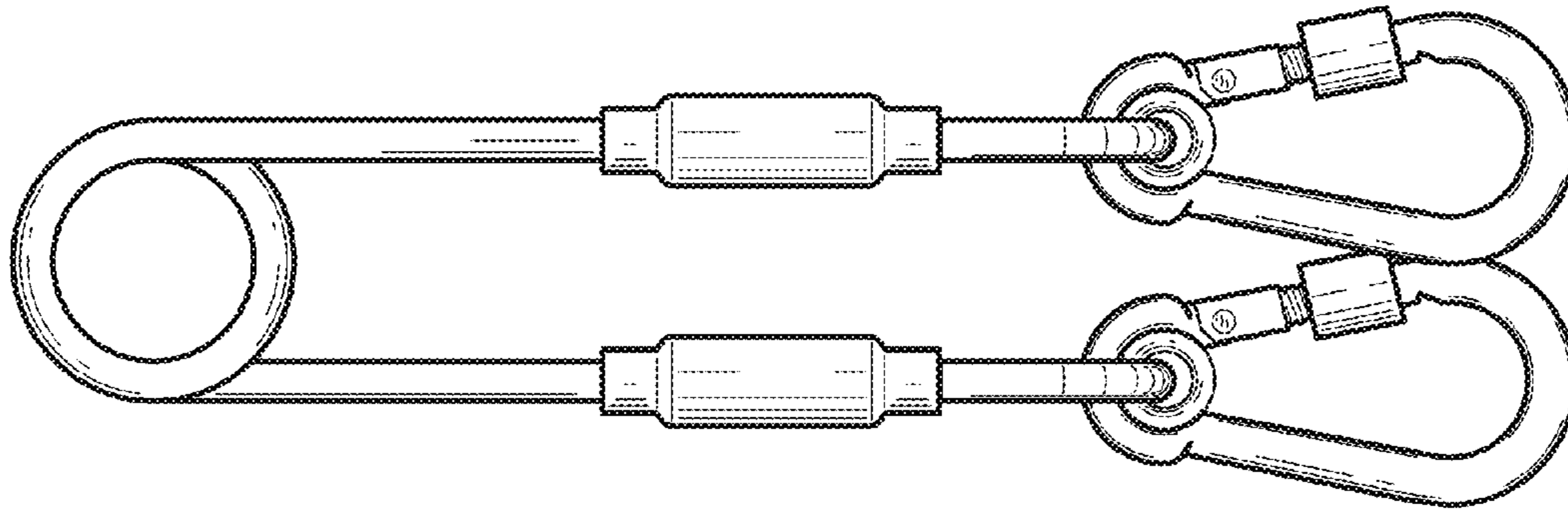


FIG. 3

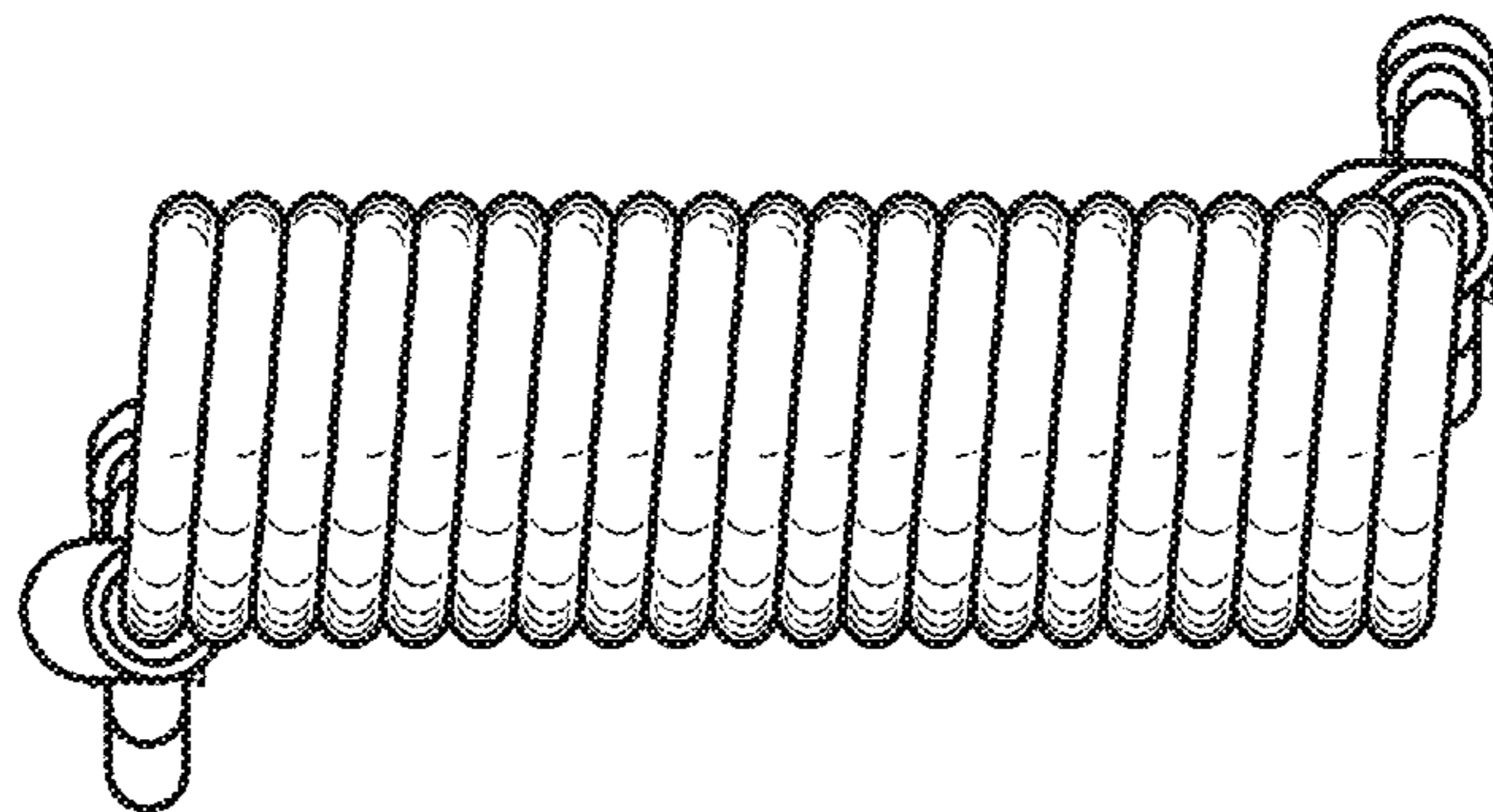


FIG. 4

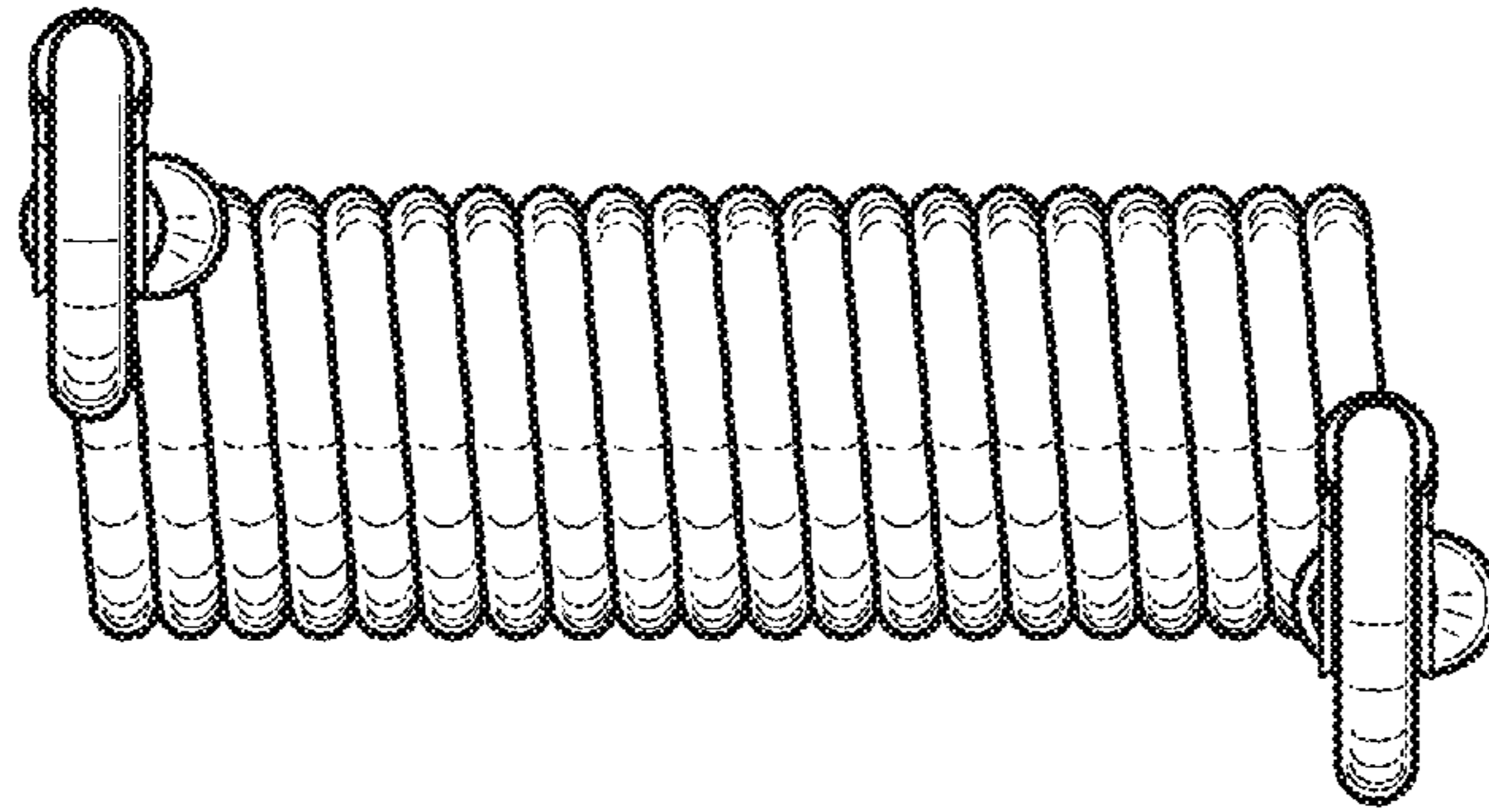


FIG. 5

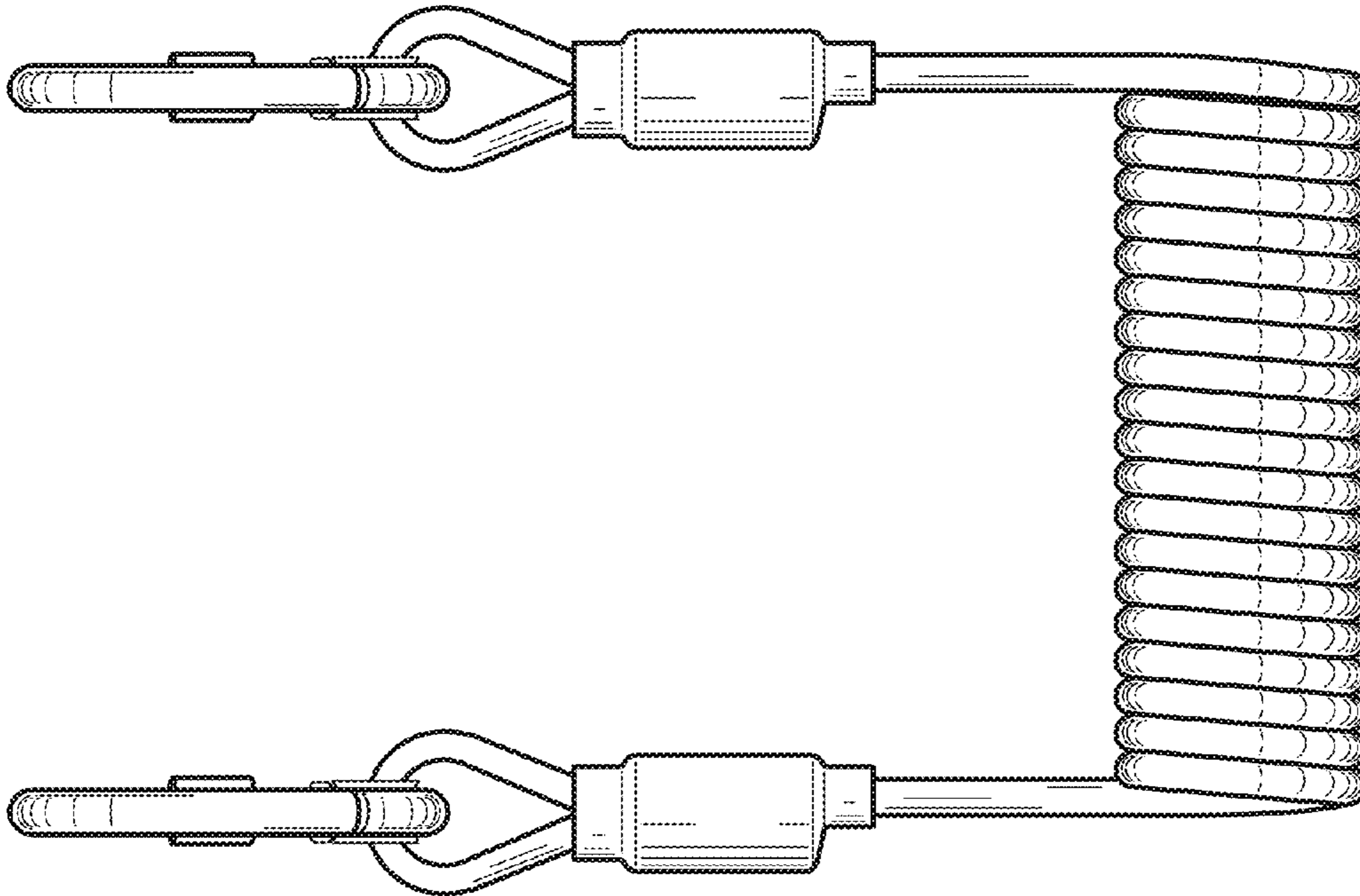


FIG. 6

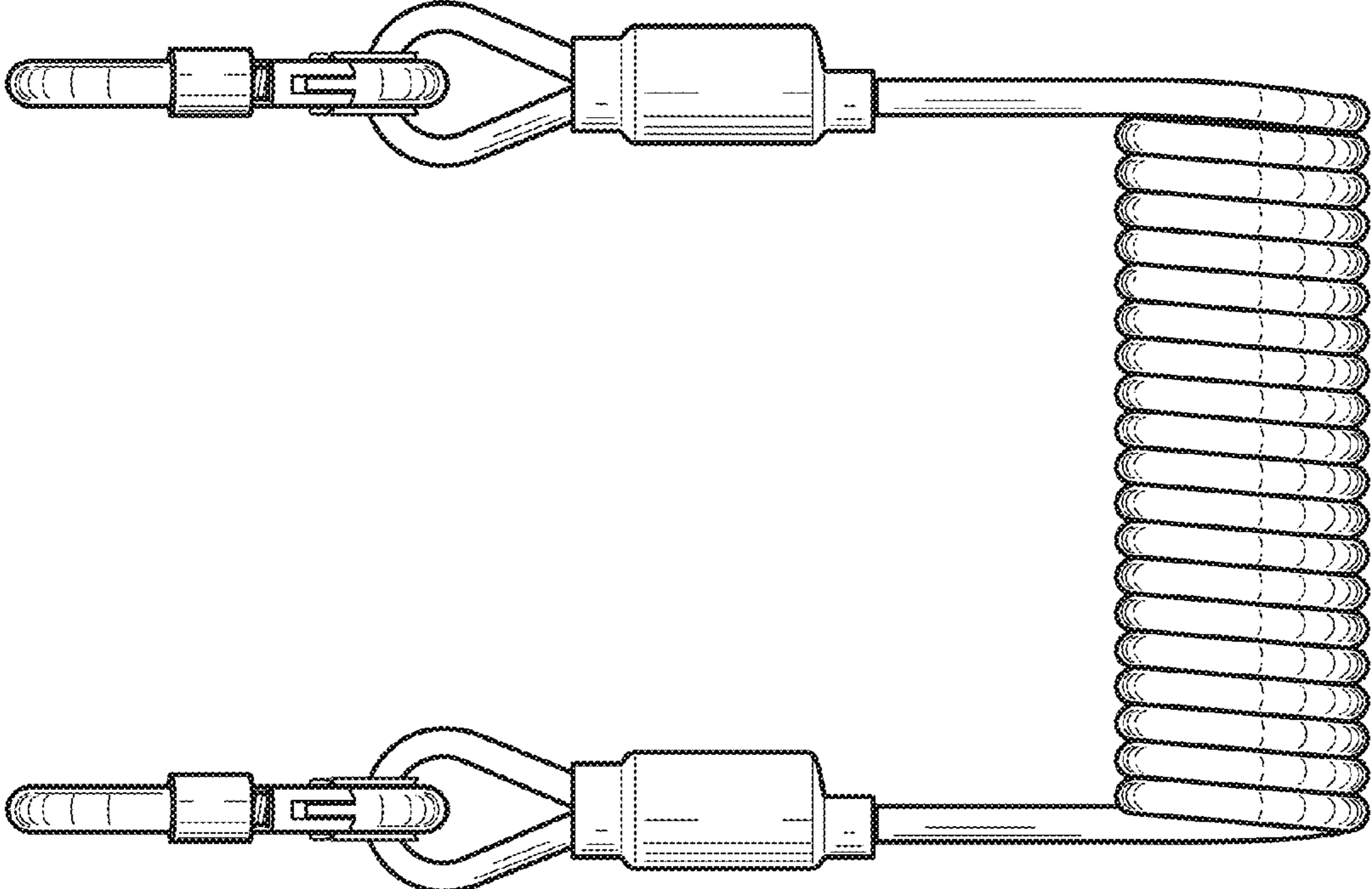


FIG. 7