



US00D706122S

(12) **United States Design Patent**
Cayouette

(10) **Patent No.:** **US D706,122 S**
(45) **Date of Patent:** **** Jun. 3, 2014**

(54) **WALL BRACKET**
(75) Inventor: **Francis Cayouette**, Hoersholm (DK)
(73) Assignee: **Inter IKEA Systems B.V.** (NL)
(**) Term: **14 Years**
(21) Appl. No.: **29/420,292**
(22) Filed: **May 7, 2012**
(51) **LOC (10) Cl.** **08-05**
(52) **U.S. Cl.**
USPC **D8/381**
(58) **Field of Classification Search**
USPC D8/381, 380, 353, 354, 349, 366, 363,
D8/356, 373, 376, 377; D25/136, 119,
D25/131, 126; D6/572, 574, 555; D34/6,
D34/16; 248/235, 237, 251, 247, 243, 248,
248/249, 250, 300, 200, 544, 558, 242, 314,
248/267, 265, 207; 108/152, 108; 174/68.1,
174/73.1, 57, 48, 135; 52/687, 686, 506.07,
52/506.06, 426
See application file for complete search history.

D361,931 S * 9/1995 Cesler D8/381
D367,001 S * 2/1996 Bright D8/381
D447,683 S * 9/2001 Grosfillex D8/381
6,402,108 B1 * 6/2002 Remmers 248/243
D547,640 S * 7/2007 Remmers D8/381
7,243,887 B2 * 7/2007 Magnusson 248/243
D581,260 S * 11/2008 Fernandez D8/381
D596,931 S * 7/2009 Fernandez D8/381
D618,087 S * 6/2010 Stafford et al. D8/363

* cited by examiner

Primary Examiner — Robert M Spear
Assistant Examiner — Eliza Bennett-Hattan
(74) *Attorney, Agent, or Firm* — Novak Druce Connolly
Bove + Quigg LLP

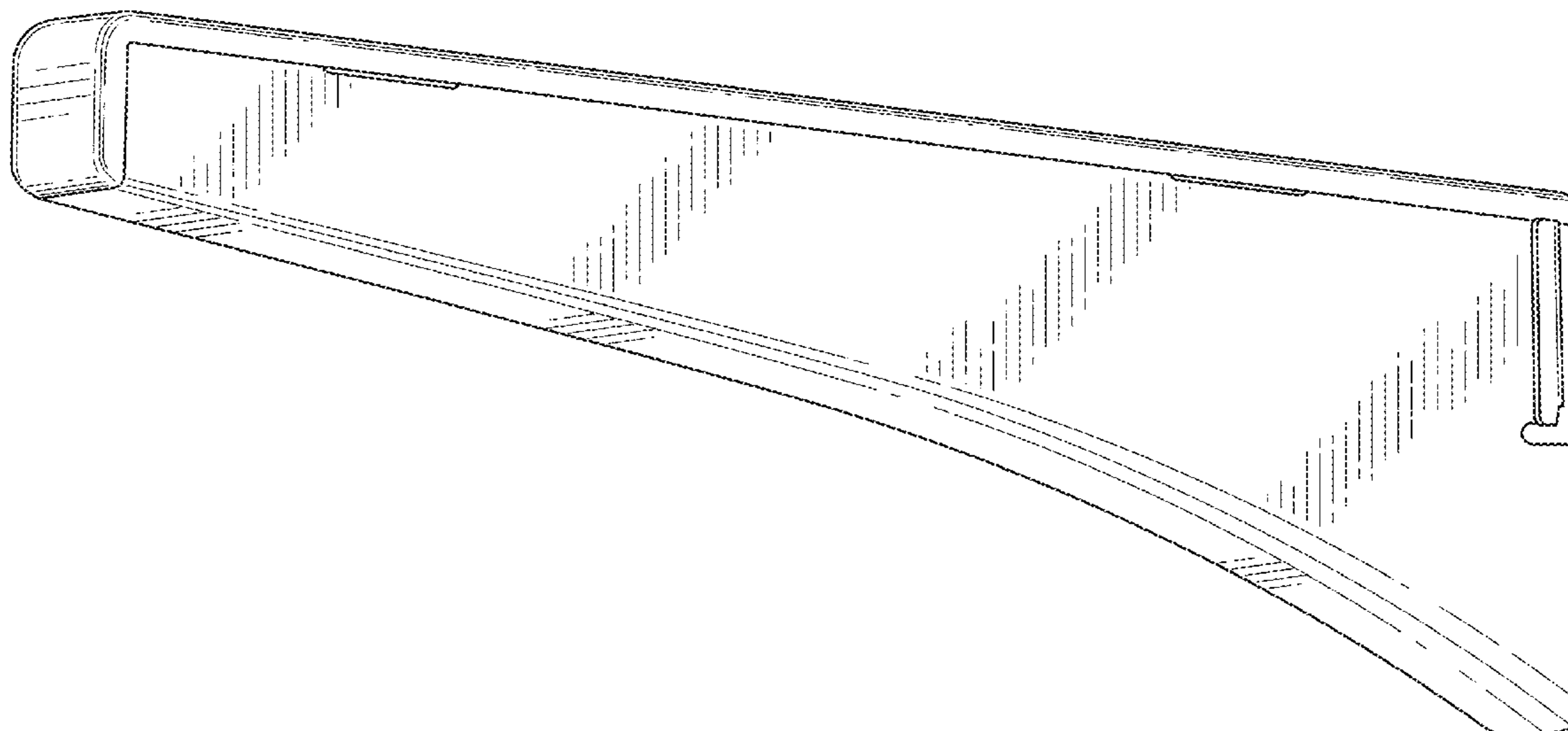
(57) **CLAIM**
I claim the ornamental design for a wall bracket, as shown and
described.

DESCRIPTION

FIG. 1 is a perspective view of a wall bracket;
FIG. 2 is a rear elevational view thereof;
FIG. 3 is a front elevational view thereof;
FIG. 4 is a left side elevational view thereof;
FIG. 5 is a right side elevational view thereof;
FIG. 6 is a top plan view thereof; and,
FIG. 7 is a bottom plan view thereof.

1 Claim, 5 Drawing Sheets

(56) **References Cited**
U.S. PATENT DOCUMENTS
2,833,420 A * 5/1958 Streater 108/147.17
3,135,491 A * 6/1964 Knape et al. 248/243



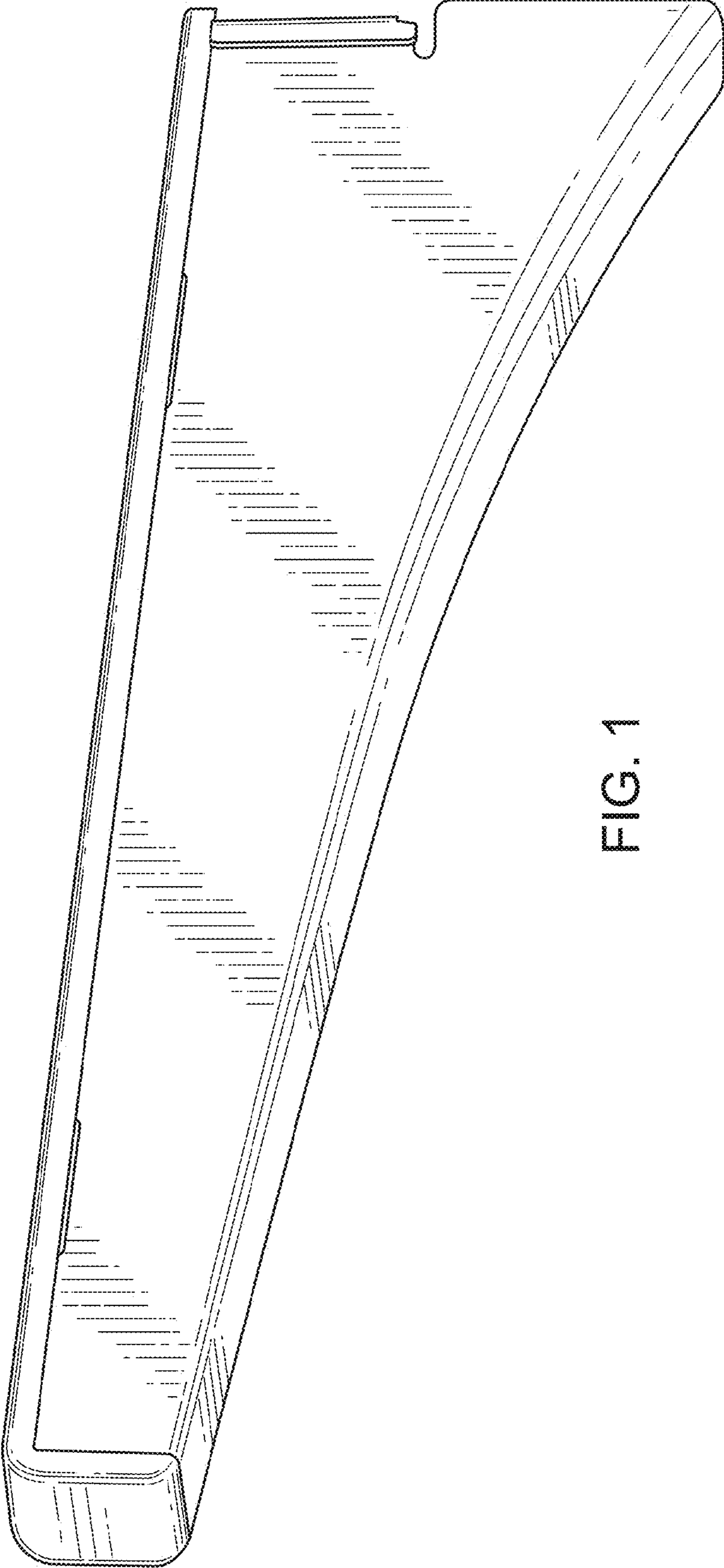


FIG. 1

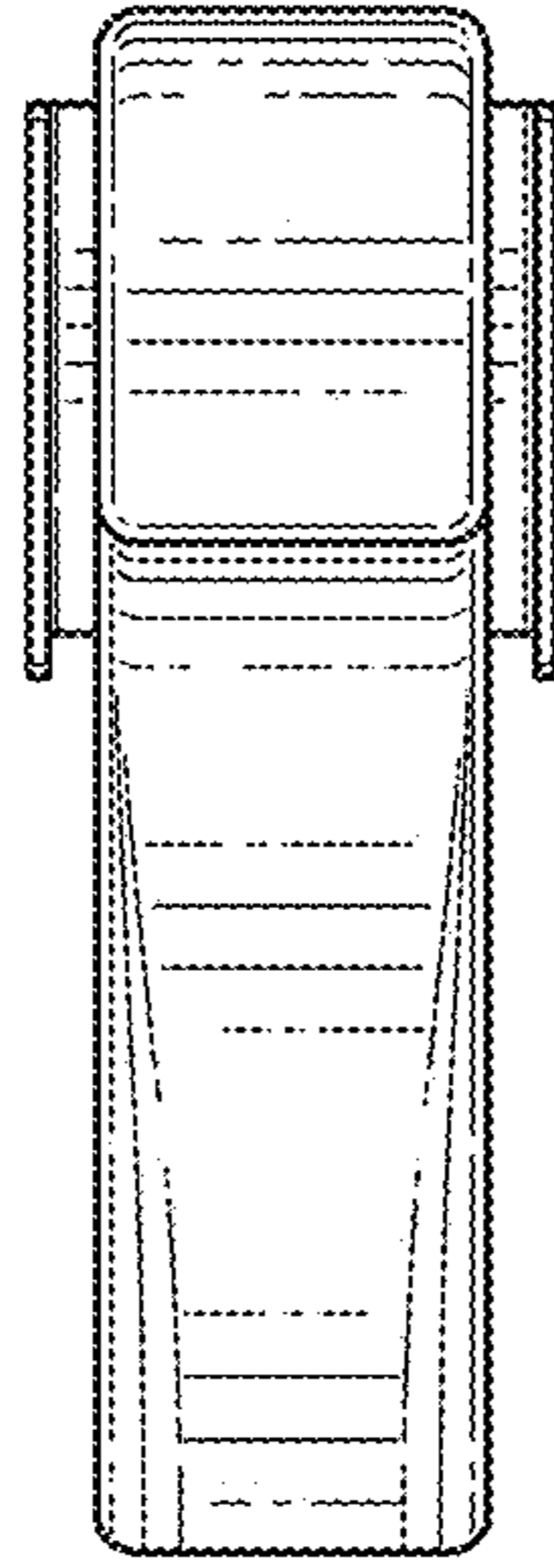


FIG. 2

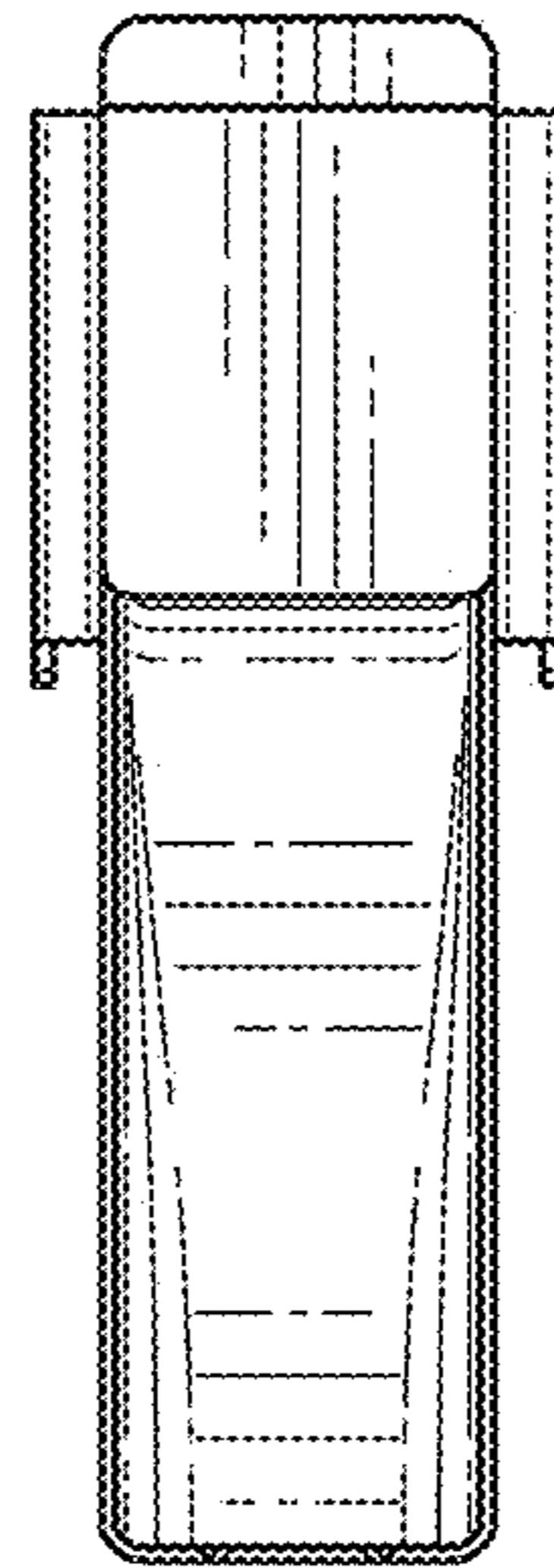


FIG. 3

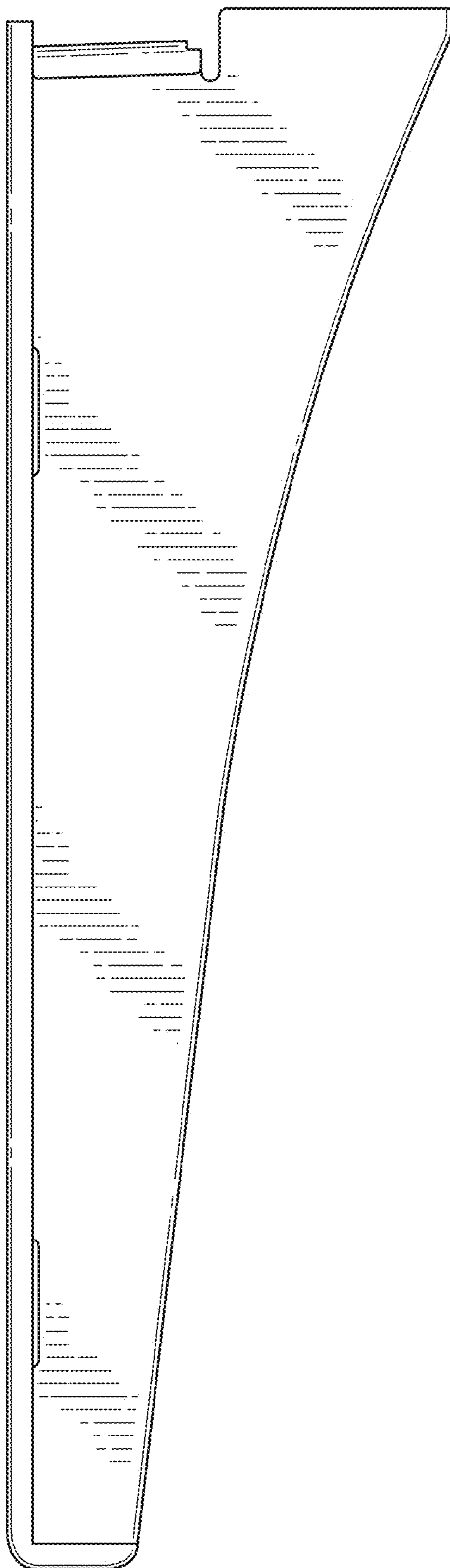


FIG. 4

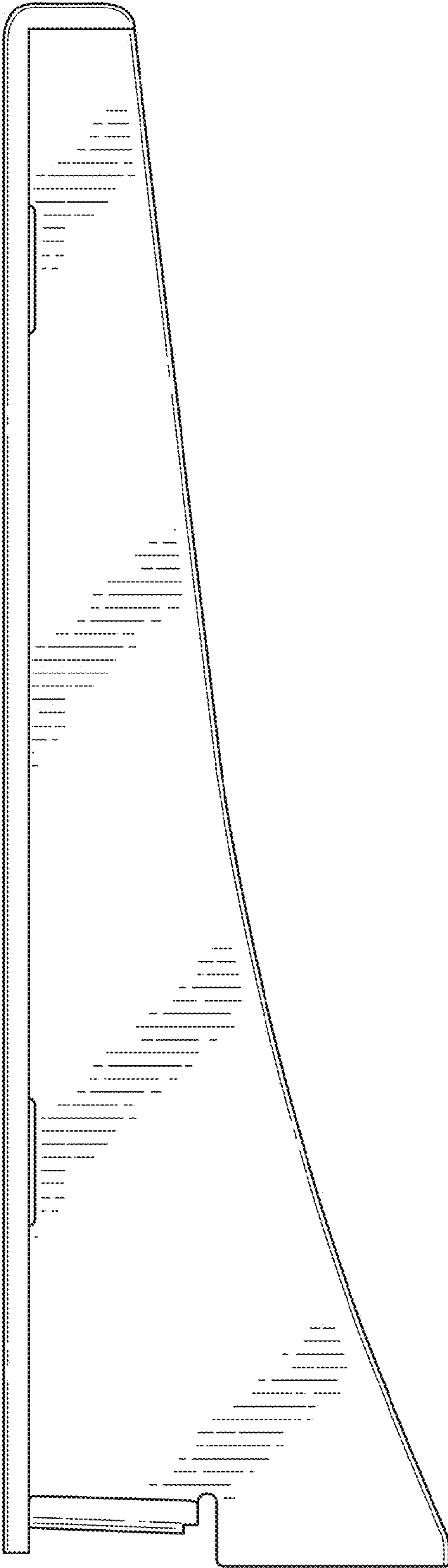


FIG. 5

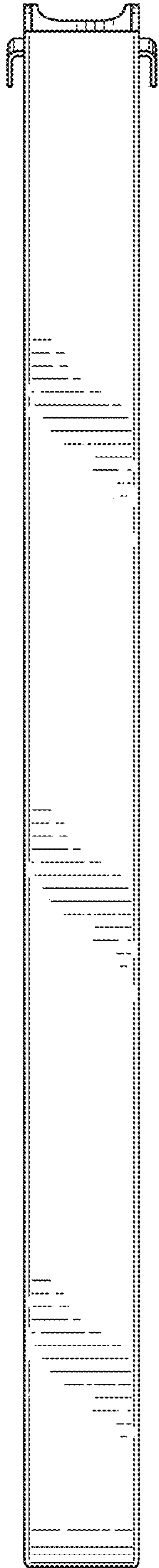


FIG. 6

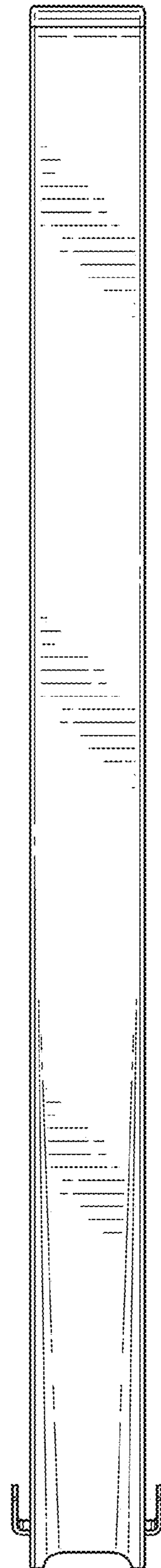


FIG. 7