



US00D706121S

(12) **United States Design Patent**
Norton et al.

(10) **Patent No.:** **US D706,121 S**

(45) **Date of Patent:** **** Jun. 3, 2014**

(54) **POST BASE**

(75) Inventors: **Ralph Edward Norton**, St Leonards (AU); **Darran James Randall**, St Leonards (AU); **Scott Wesley Payton**, St Leonards (AU); **Roger Clive Trethewie**, St Leonards (AU)

(73) Assignee: **Roadside Products Pty Ltd**, Tasmania (AU)

(**) Term: **14 Years**

(21) Appl. No.: **29/424,025**

(22) Filed: **Jun. 7, 2012**

(30) **Foreign Application Priority Data**

Dec. 8, 2011 (AU) 15643/2011

(51) **LOC (10) Cl.** **08-05**

(52) **U.S. Cl.**
USPC **D8/380**

(58) **Field of Classification Search**
USPC D8/380, 349, 381, 373, 367, 354, 363, D8/355, 382, 374; 52/4, 79.2, 93.1, 260, 52/649.1, 649.2, 296; 119/705; 482/16; D23/259; D12/160; D6/702
See application file for complete search history.

(56) **References Cited**

U.S. PATENT DOCUMENTS

2,619,389 A * 11/1952 James 301/1
D221,616 S * 8/1971 Hollander D6/495
3,988,870 A * 11/1976 Snavelly 52/296

D345,903 S * 4/1994 Adams et al. D8/349
D385,956 S * 11/1997 Doughty et al. D23/259
D420,890 S * 2/2000 Kuhnke D8/354
D436,843 S * 1/2001 Mudryk et al. D8/382
D462,256 S * 9/2002 Jaynes D8/382
D590,702 S * 4/2009 Giddings D8/382
D594,735 S * 6/2009 Hofer D8/349
D617,627 S * 6/2010 Tawil D8/349
D623,045 S * 9/2010 Moncade et al. D8/354
D634,168 S * 3/2011 Ghatikar et al. D8/10

* cited by examiner

Primary Examiner — Robert M Spear

Assistant Examiner — Eliza Bennett-Hattan

(74) *Attorney, Agent, or Firm* — The Webb Law Firm

(57) **CLAIM**

The ornamental design for a post base, as shown and described.

DESCRIPTION

FIG. 1 is a front perspective view of a post base showing our new design;

FIG. 2 is a top view thereof;

FIG. 3 is a side view thereof; and,

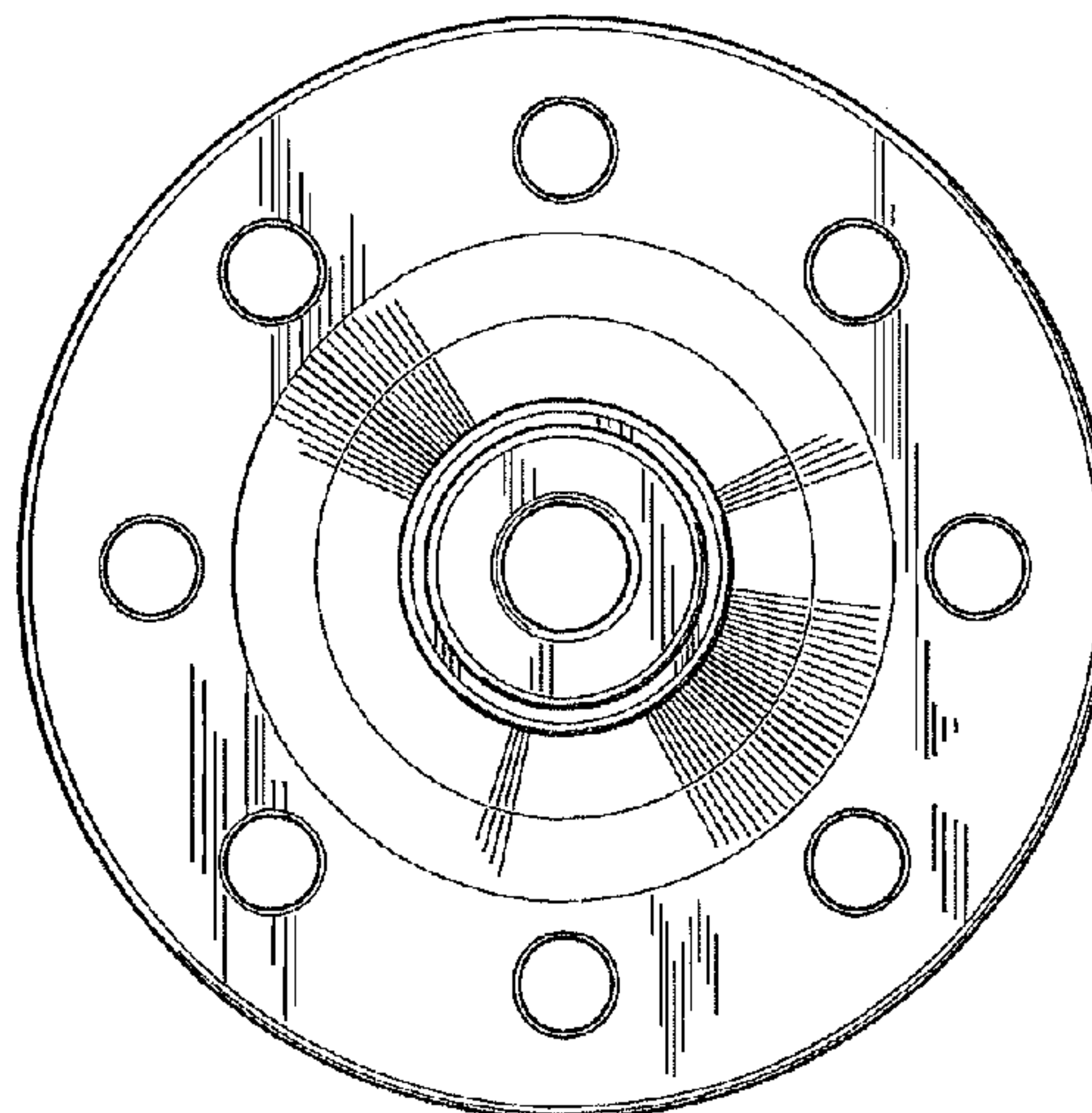
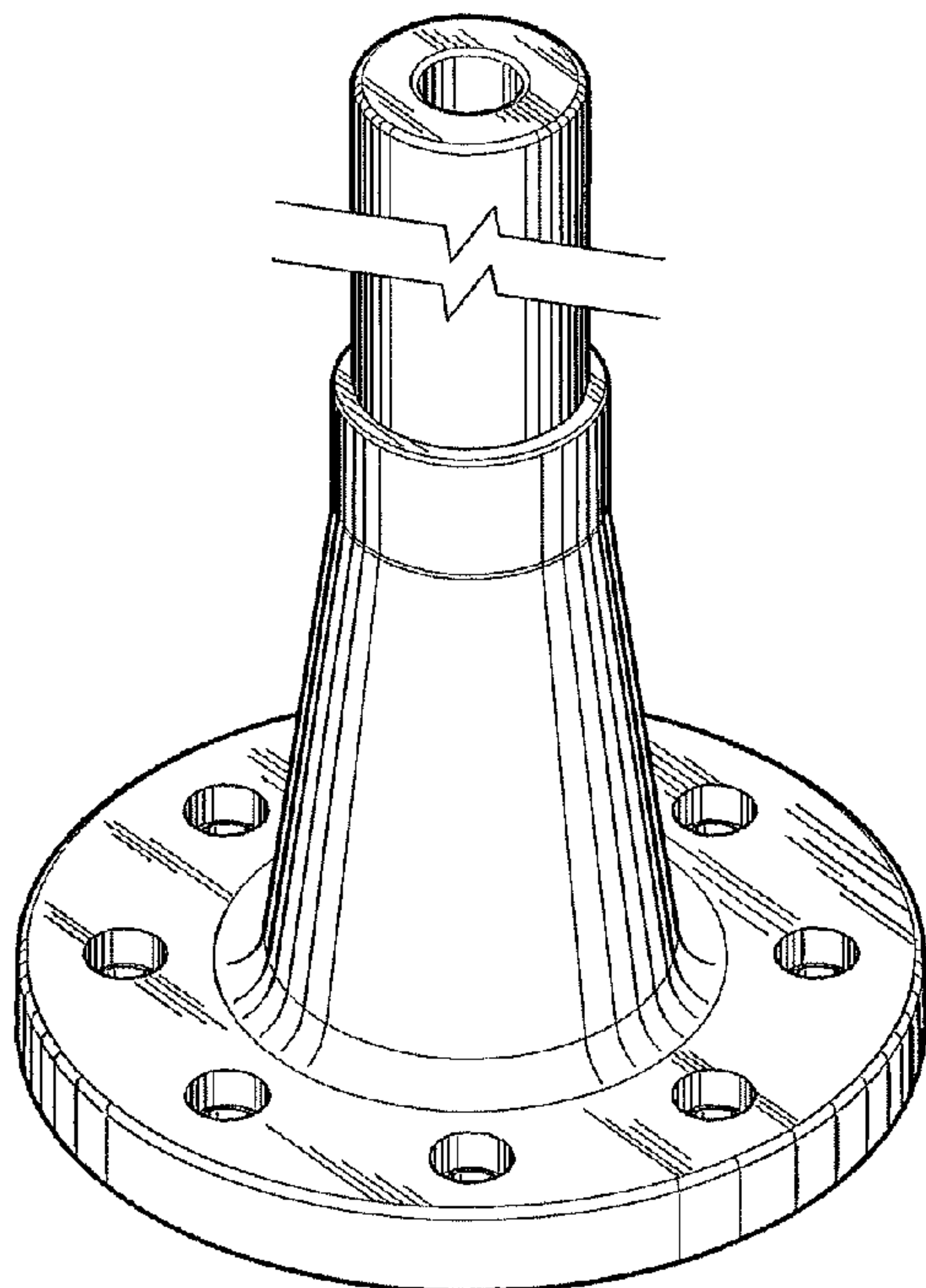
FIG. 4 is a bottom view thereof.

Left, right, and rear side views of the post base are omitted as they are symmetric in appearance to the side view of FIG. 3.

The broken lines in the drawing depict environmental subject matter only and form no part of the claimed design.

The broken away symbols in the drawings indicate the appearance of any portion of the article between the break lines forms no part of the claimed design.

1 Claim, 2 Drawing Sheets



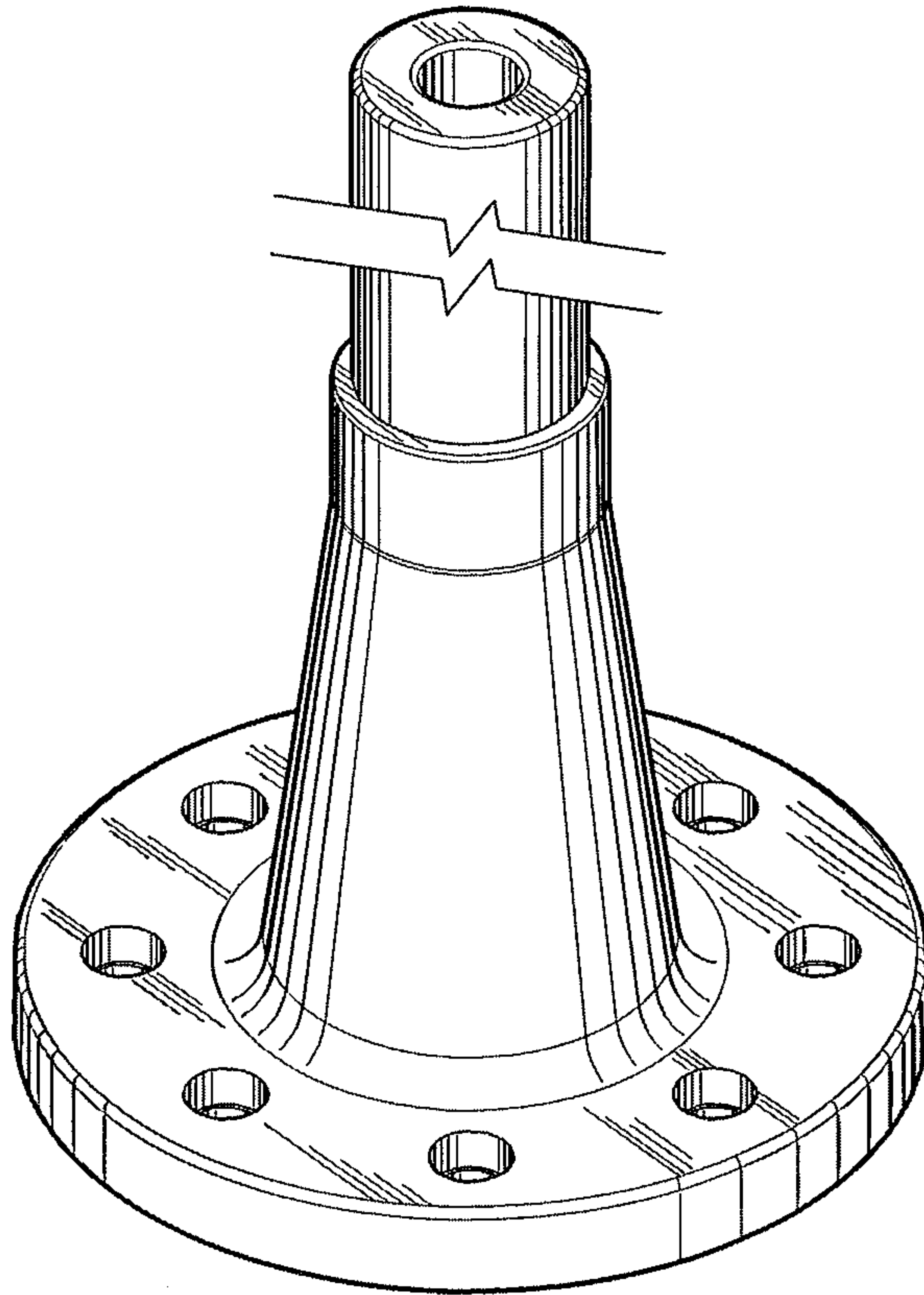


FIG. 1

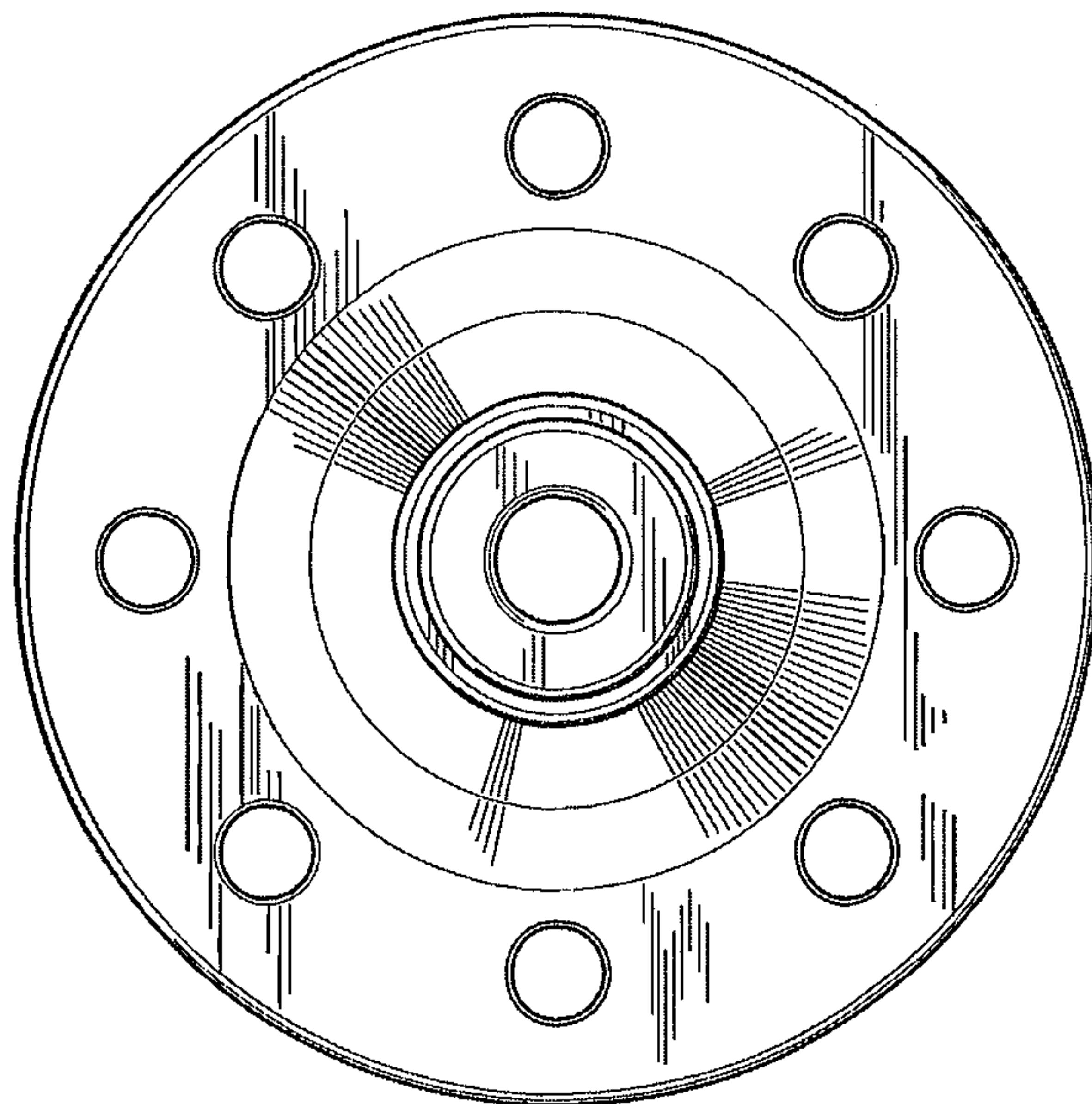


FIG. 2

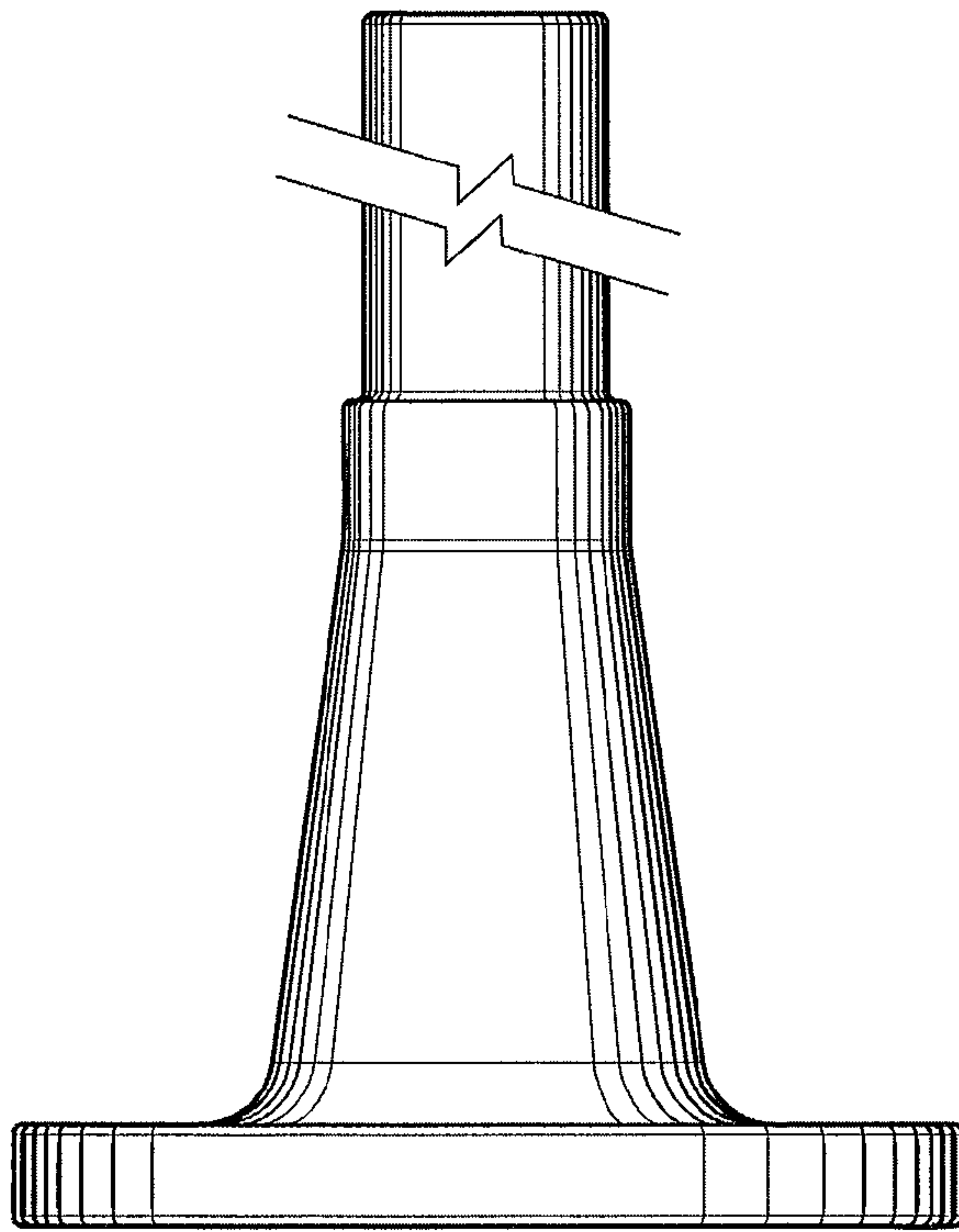


FIG. 3

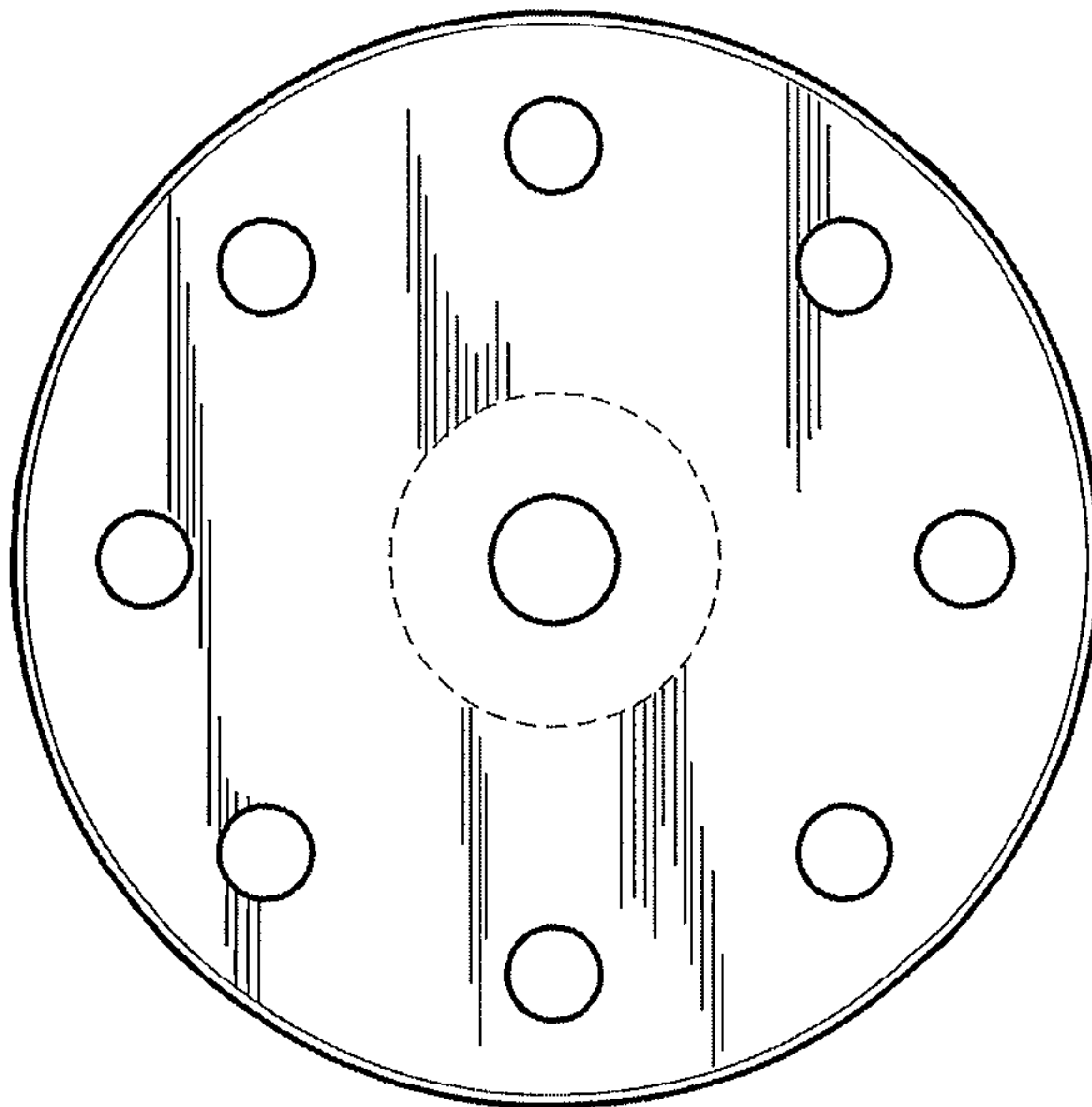


FIG. 4