



US00D706120S

(12) **United States Design Patent**  
**Gemino et al.**

(10) **Patent No.:** **US D706,120 S**  
(45) **Date of Patent:** **\*\* Jun. 3, 2014**

(54) **JUMP CUP**

(75) Inventors: **Christopher Gemino**, Harwinton, CT (US); **Amy Christopher**, Washington, VA (US)

(73) Assignee: **Dapple Equine Products, LLC**, Waterbury, CT (US)

(\*\*) Term: **14 Years**

(21) Appl. No.: **29/414,730**

(22) Filed: **Mar. 2, 2012**

(51) **LOC (10) Cl.** ..... **08-05**

(52) **U.S. Cl.**  
USPC ..... **D8/380**

(58) **Field of Classification Search**  
USPC ..... D8/380, 373, 367, 354, 363, 355;  
248/248, 251, 320, 327, 335, 340,  
248/200.1, 207, 214, 218.4, 219.3, 274.1;  
119/705; 482/16

See application file for complete search history.

(56) **References Cited**

**U.S. PATENT DOCUMENTS**

423,916 A	3/1890	Elliott	
569,058 A	10/1896	Ringle	
798,469 A	8/1905	Watson	
D261,984 S *	11/1981	Gunnells	D8/367
D358,084 S *	5/1995	Middlebrook	D8/373
D373,072 S *	8/1996	Durante	D8/367
5,690,583 A *	11/1997	Keusch	482/16
D400,425 S *	11/1998	Goodman et al.	D8/367
D452,812 S *	1/2002	Thomas	D8/367
D510,258 S *	10/2005	Glass et al.	D8/373

6,976,452 B1 *	12/2005	Godsil	119/705
7,984,696 B2 *	7/2011	Horrocks	119/705
D644,090 S *	8/2011	Sittig	D8/367
D650,655 S *	12/2011	Wester	D8/354
2013/0228137 A1 *	9/2013	Gemino et al.	119/705

**FOREIGN PATENT DOCUMENTS**

FR	2623380	5/1989
GB	2321198 A	7/1998

**OTHER PUBLICATIONS**

<http://reviews.sstack.com/review/22656/Dapple-Equine-Jump-Cups>.\*

\* cited by examiner

*Primary Examiner* — Robert M Spear

*Assistant Examiner* — Eliza Bennett-Hattan

(74) *Attorney, Agent, or Firm* — Druan IP Law, PLLC

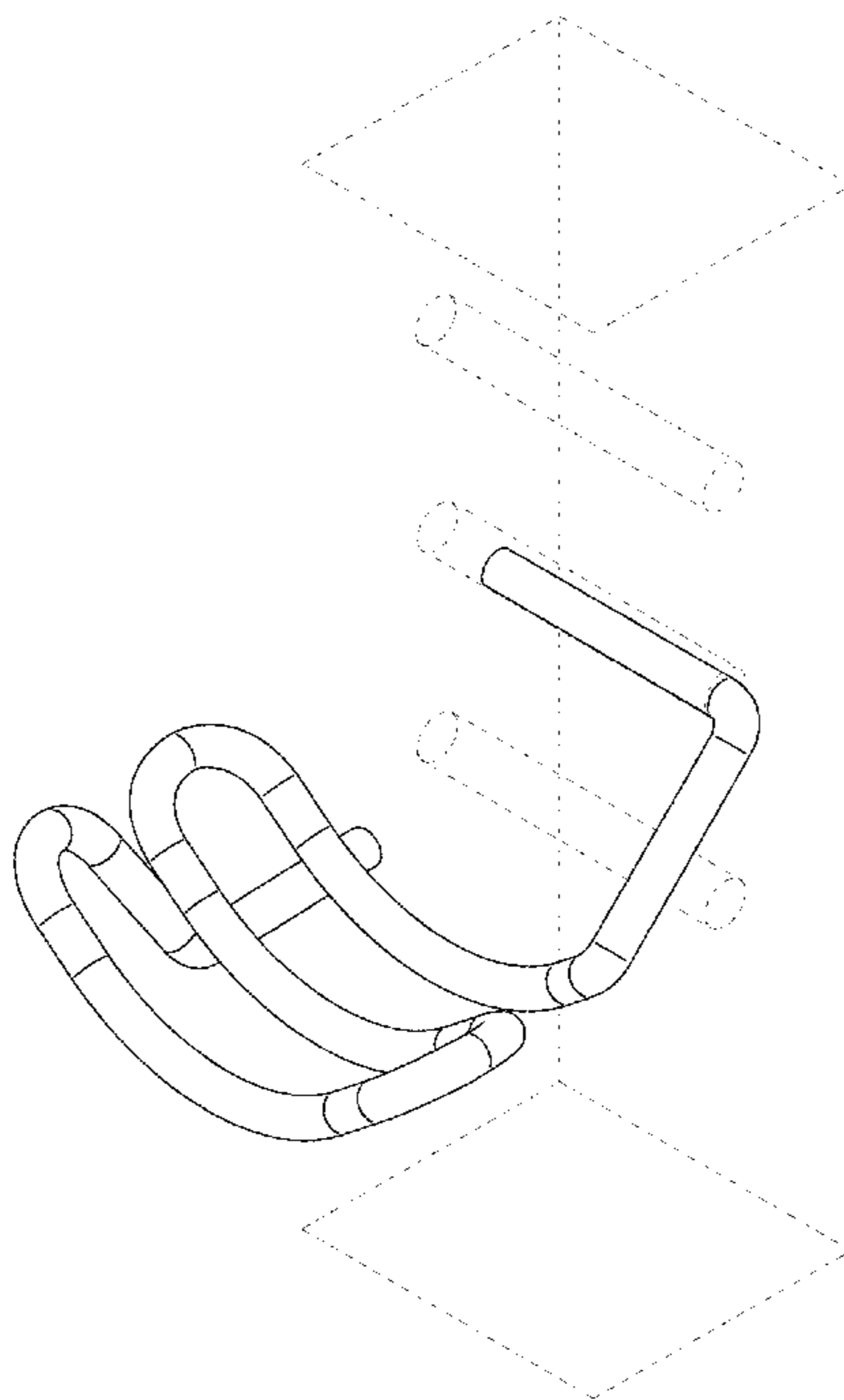
(57) **CLAIM**

The ornamental design for a jump cup, as shown and described.

**DESCRIPTION**

FIG. 1 is an isometric view of the jump cup including broken lines, which are used in the present drawing to represent environment and which form no part of the claimed design; FIG. 2 is a top view of the jump cup; FIG. 3 is a bottom view of the jump cup; FIG. 4 is a back view of the jump cup; FIG. 5 is a front view of the jump cup; FIG. 6 is a right view of the jump cup; and, FIG. 7 is a left view of the jump cup.

**1 Claim, 7 Drawing Sheets**



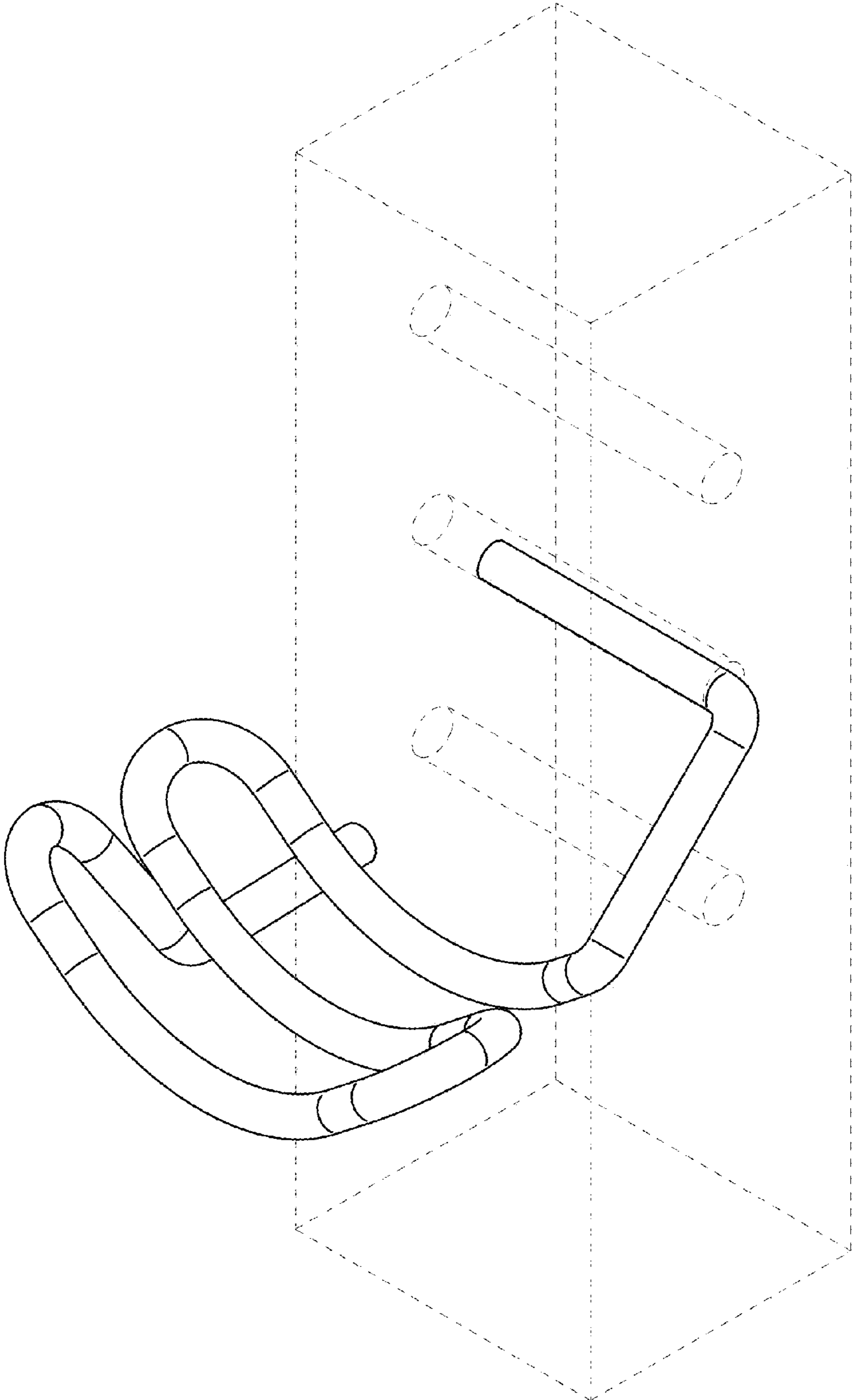


FIG. 1

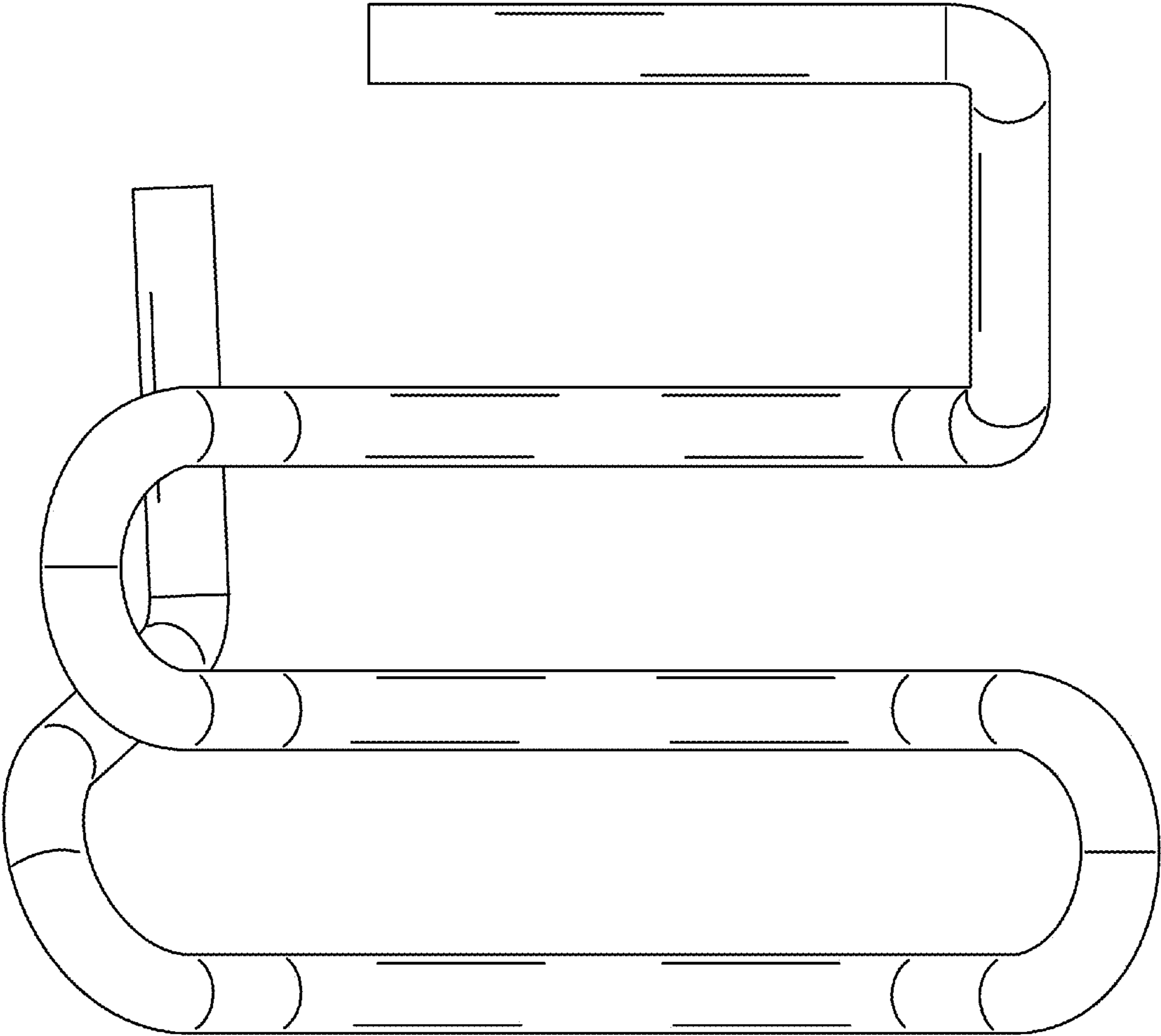


FIG. 2

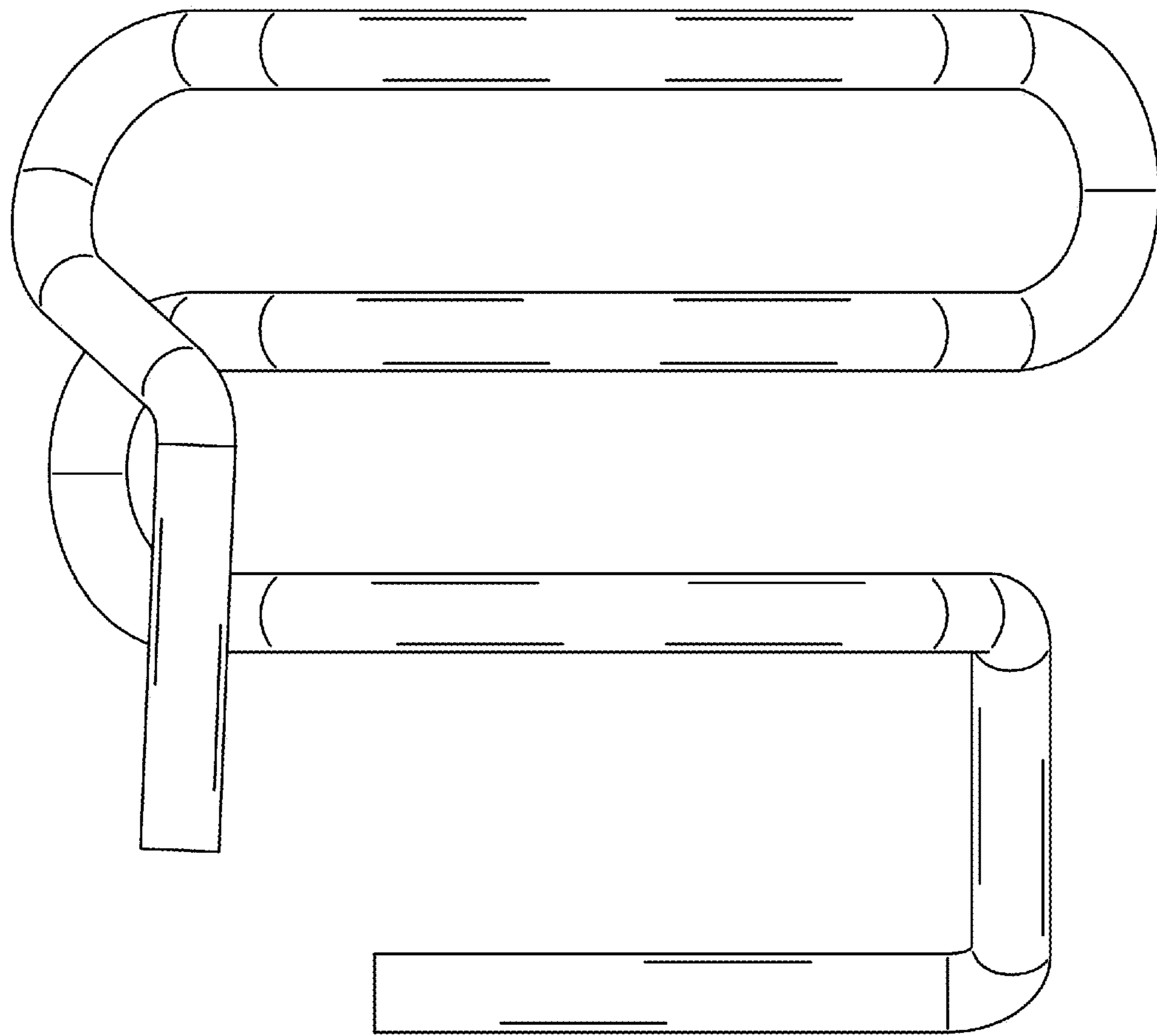


FIG. 3

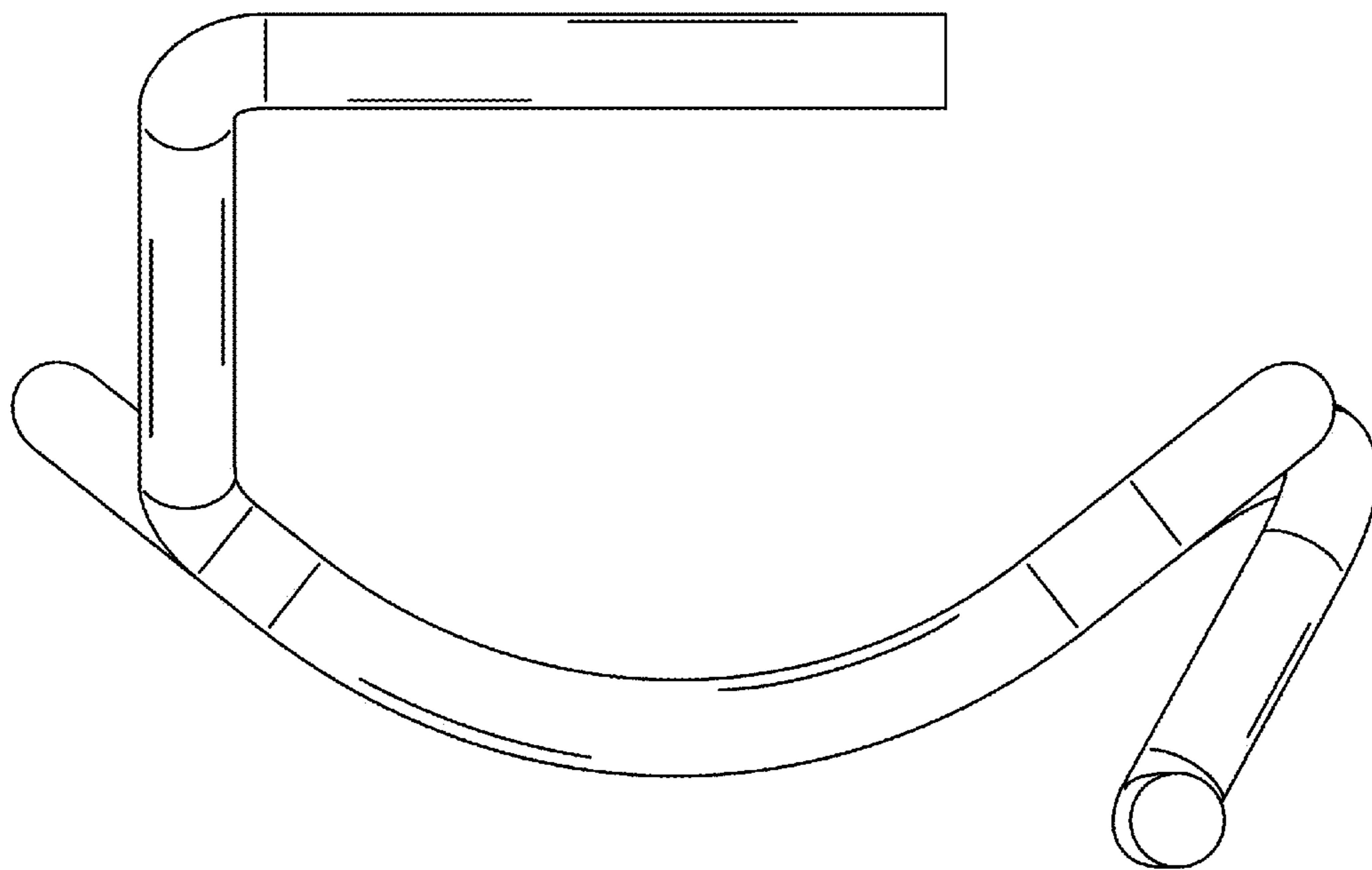


FIG. 4

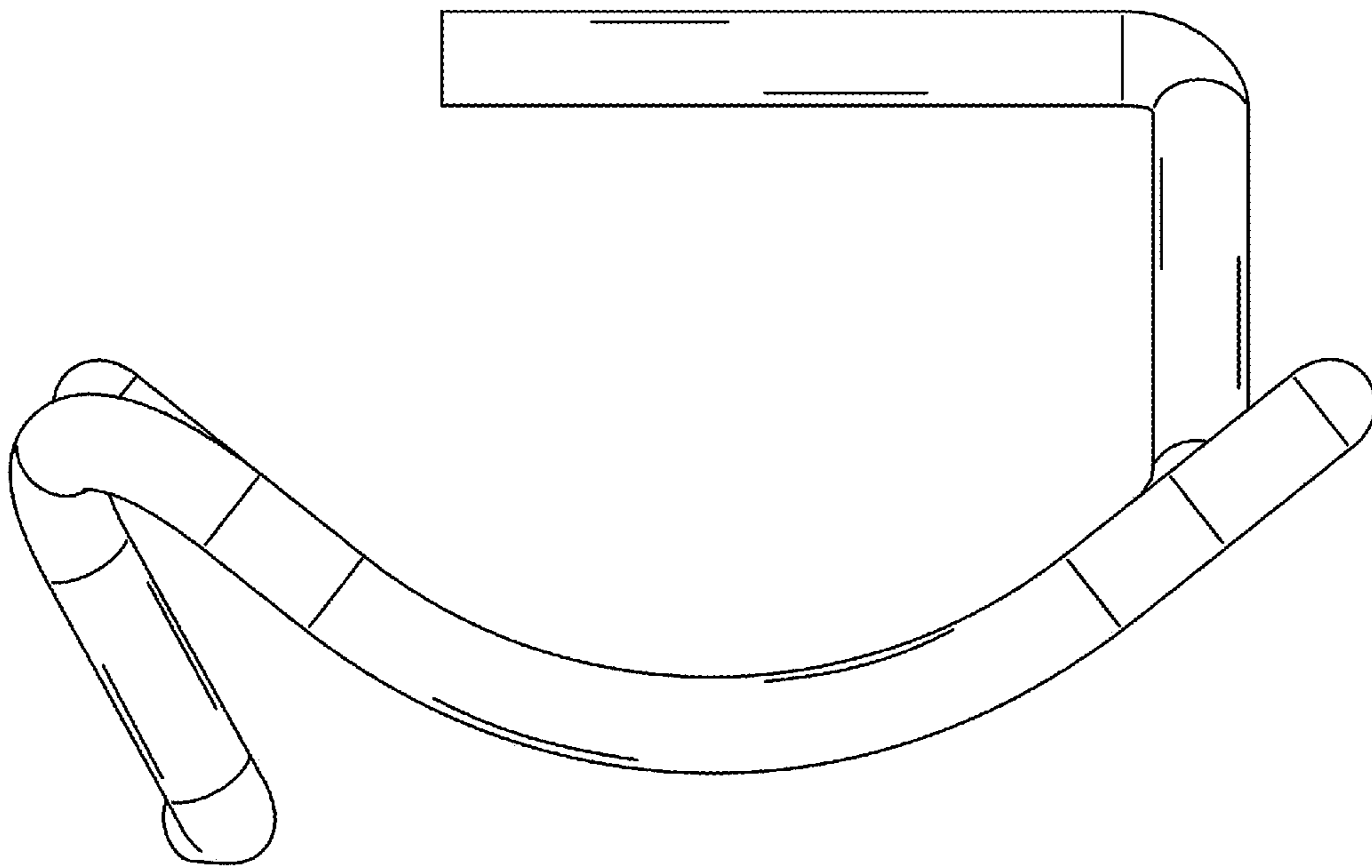


FIG. 5

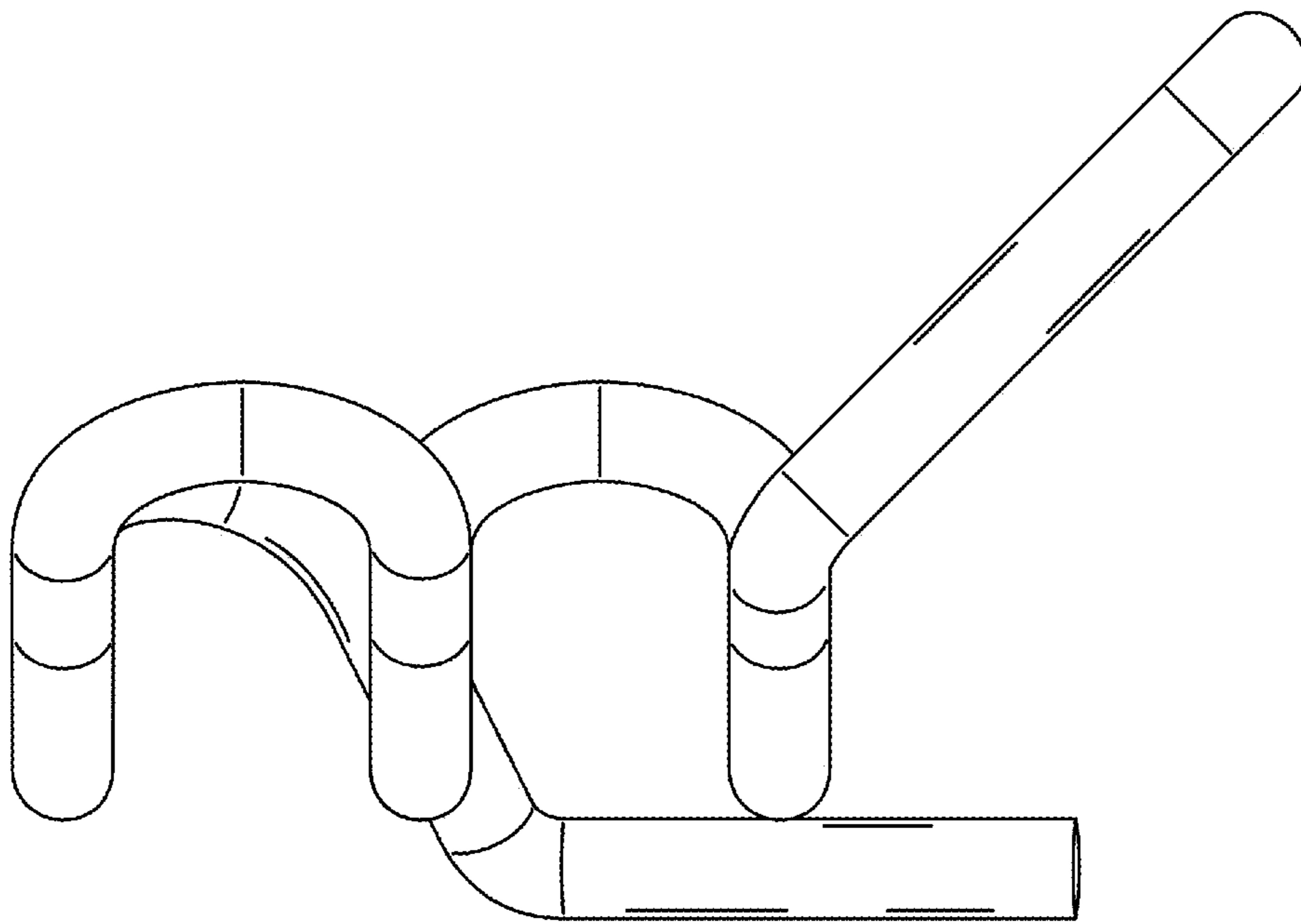


FIG. 6

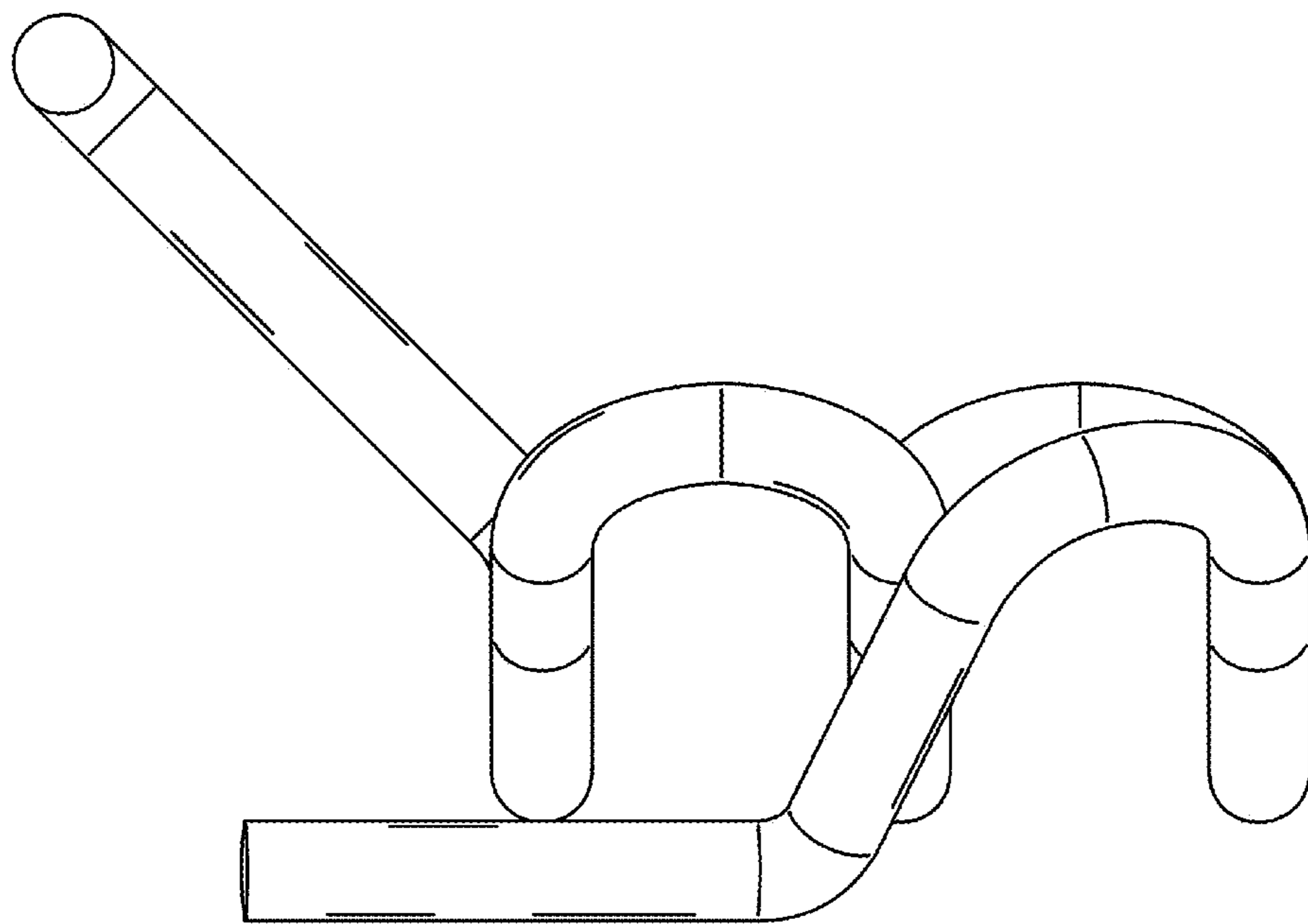


FIG. 7