



US00D706119S

(12) **United States Design Patent**  
**Georgeson**

(10) **Patent No.:** **US D706,119 S**  
(45) **Date of Patent:** **\*\* Jun. 3, 2014**

- (54) **WALL FIXTURE**
- (71) Applicant: **Kohler Co.**, Kohler, WI (US)
- (72) Inventor: **Paul B. Georgeson**, Sheboygan, WI (US)
- (73) Assignee: **Kohler Co.**, Kohler, WI (US)
- (\*\*) Term: **14 Years**
- (21) Appl. No.: **29/471,055**
- (22) Filed: **Oct. 28, 2013**

D563,132 S	3/2008	Ricereto	
D655,547 S	3/2012	Domanski	
D656,349 S	3/2012	Sedwick	
D656,350 S *	3/2012	Sedwick	D6/524
D668,935 S *	10/2012	Yoo	D8/367
D671,348 S	11/2012	Cittadino	
D671,819 S *	12/2012	Kwok et al.	D8/367
D682,664 S *	5/2013	Gilboe et al.	D8/367
D690,531 S	10/2013	Gilboe et al.	

**OTHER PUBLICATIONS**

Notice of Allowance in U.S. Appl. No. 29/471,052 dated Jan. 16, 2014.

\* cited by examiner

*Primary Examiner* — Brian N Vinson

(74) *Attorney, Agent, or Firm* — Foley & Lardner LLP

(57) **CLAIM**

I claim the ornamental design for a wall fixture, as shown and described.

**DESCRIPTION**

FIG. 1 is a perspective view of an embodiment of the claimed design;  
 FIG. 2 is a front view of the claimed design shown in FIG. 1;  
 FIG. 3 is a rear view of the claimed design shown in FIG. 1;  
 FIG. 4 is a right side view of the claimed design shown in FIG. 1;  
 FIG. 5 is left side view of the claimed design shown in FIG. 1;  
 FIG. 6 is a top view of the claimed design shown in FIG. 1;  
 and,  
 FIG. 7 is a bottom view of the claimed design shown in FIG. 1.

The ornamental design which is claimed is shown in solid lines in the drawings. The broken lines in the drawings are for illustrative purposes only and form no part of the claimed design. The dot-dash lines in the drawings define boundaries of the claimed design and form no part thereof.

**1 Claim, 7 Drawing Sheets**

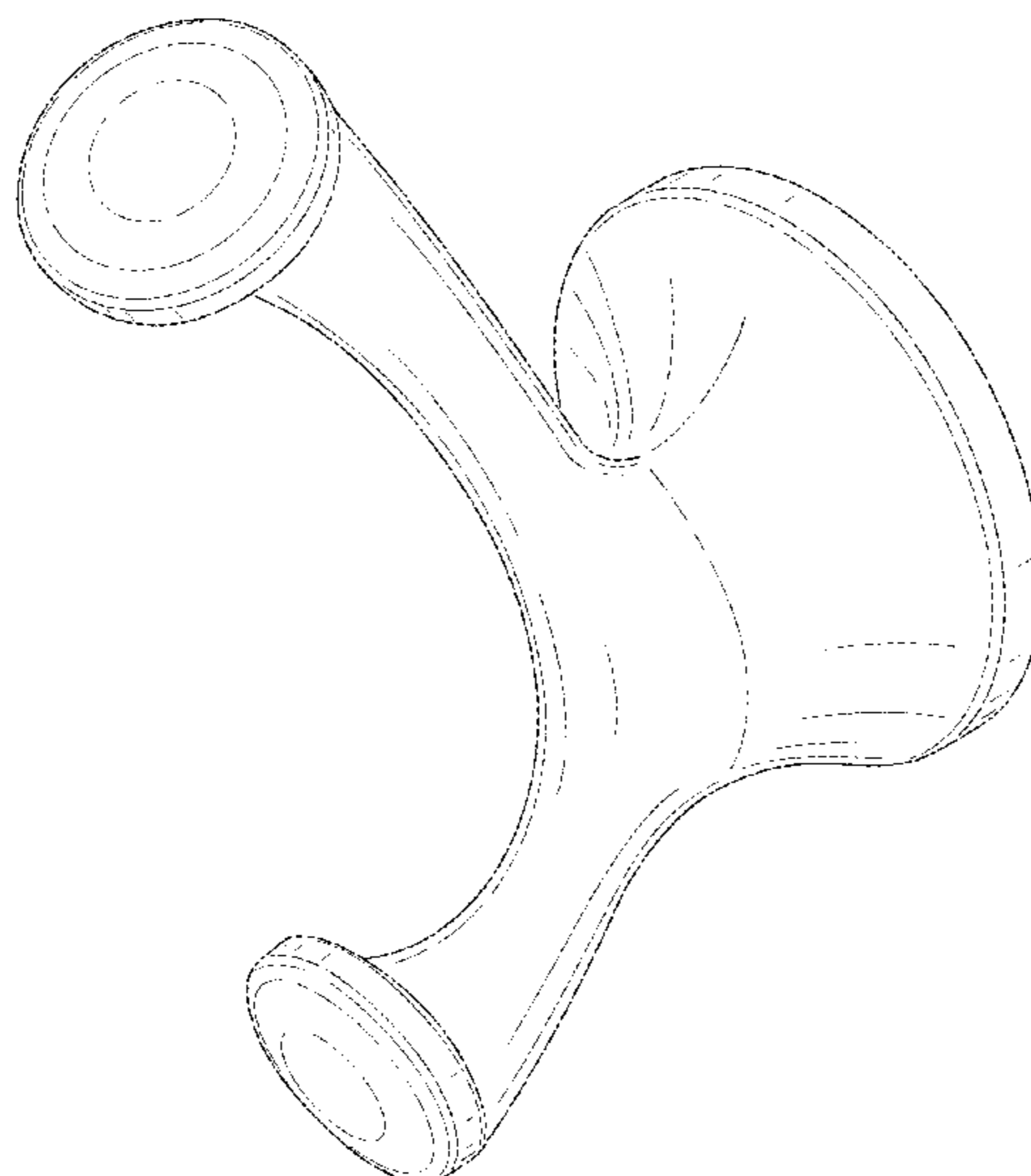
**Related U.S. Application Data**

- (62) Division of application No. 29/447,076, filed on Feb. 28, 2013.
- (51) **LOC (10) Cl.** ..... **08-01**
- (52) **U.S. Cl.**  
USPC ..... **D8/367**
- (58) **Field of Classification Search**  
USPC ..... D8/367, 372, 354, 349, 351; D6/320, D6/323, 315, 524, 550; 242/570, 590, 242/595-598; 211/13.1, 16, 85.5, 86.01, 211/87.01, 88.04, 100, 105.1, 105.2, 106, 211/113, 123, 181.1, 182-183; 248/49, 248/175, 176.1, 200, 201, 205.1, 251, 302, 248/309.1, 315  
See application file for complete search history.

(56) **References Cited**

**U.S. PATENT DOCUMENTS**

D451,738 S	12/2001	Yeh	
D492,151 S	6/2004	Chen	
D492,523 S	7/2004	Graves et al.	
D516,356 S	3/2006	Sedwick	
D520,282 S	5/2006	Hoernig	
D520,791 S *	5/2006	Solowiej	D6/550
D550,010 S *	9/2007	Gilbert	D6/524



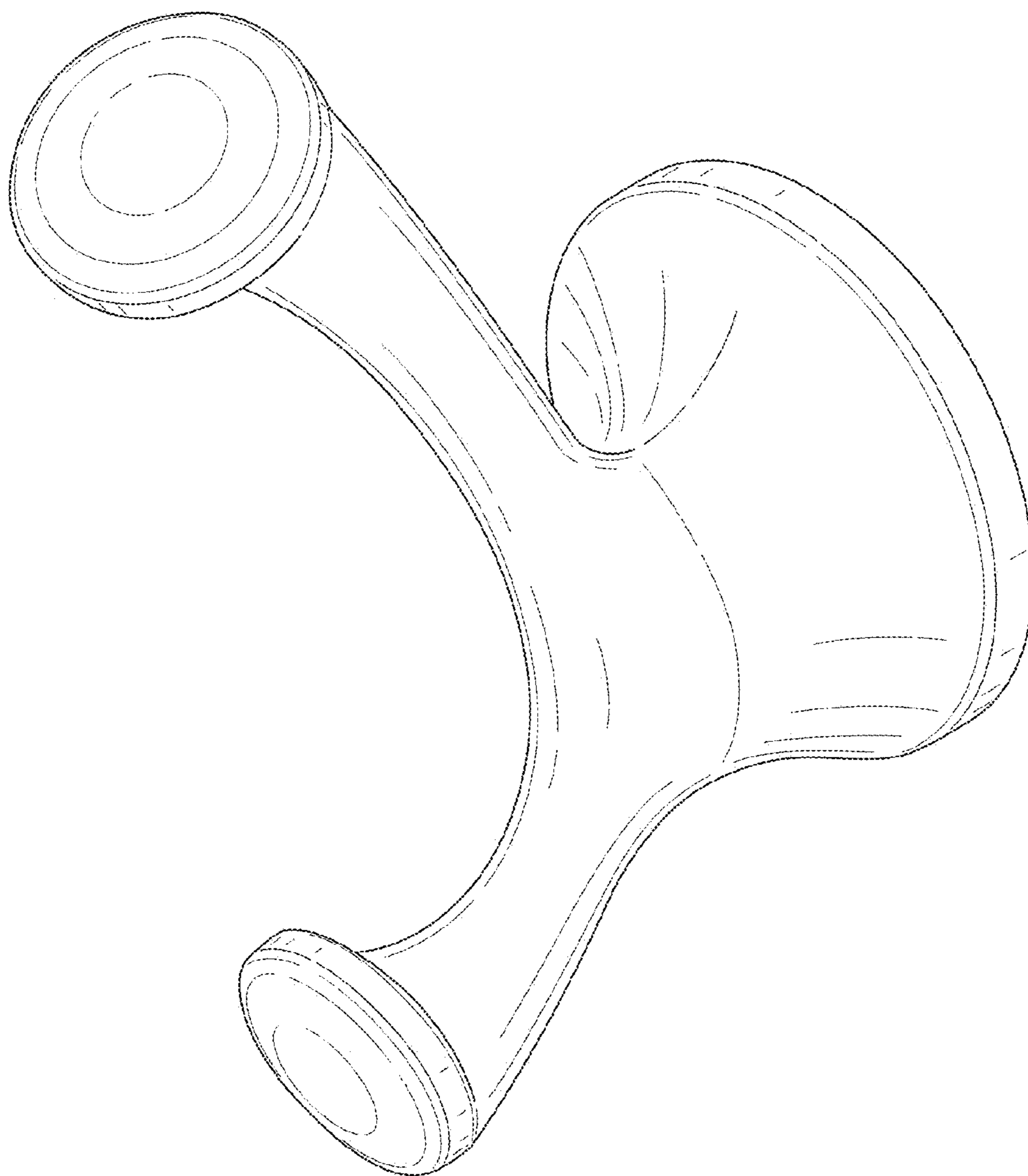


FIG. 1

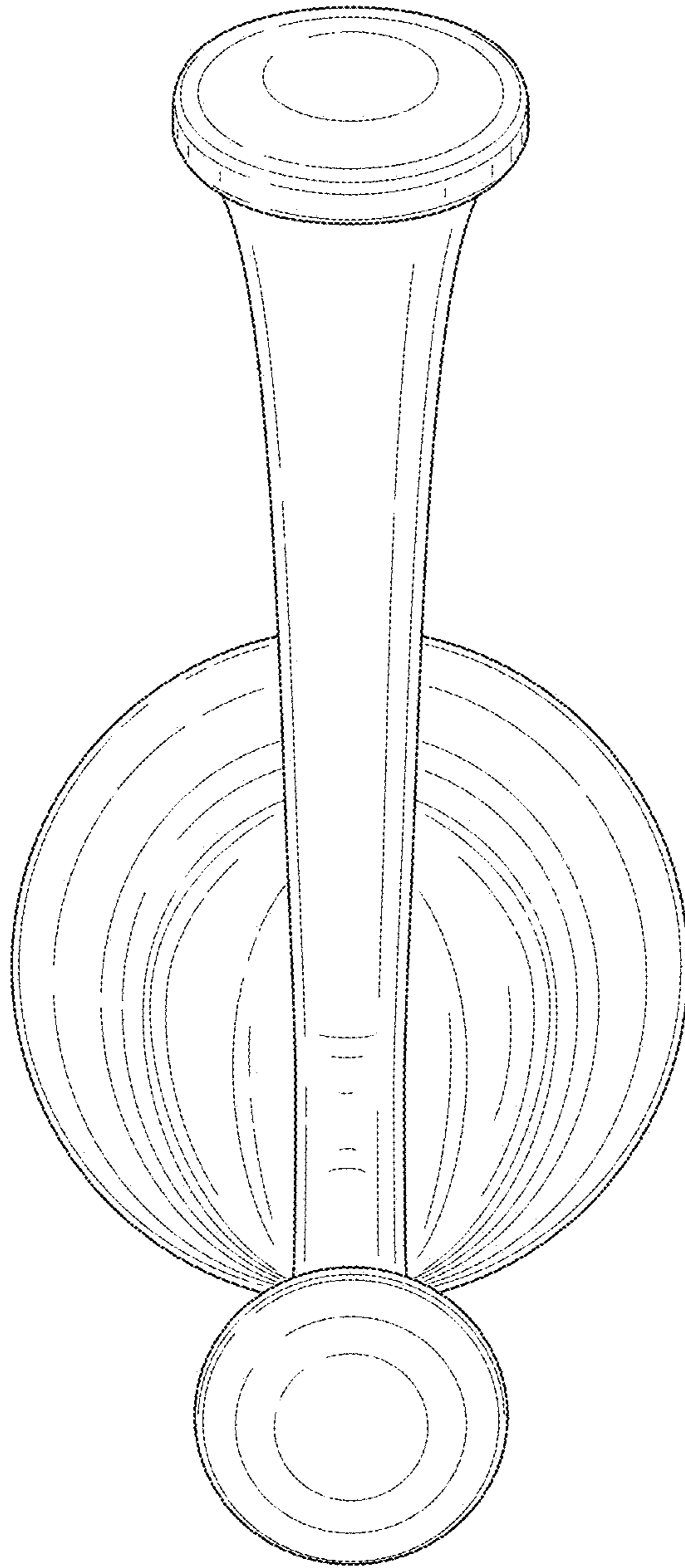


FIG. 2

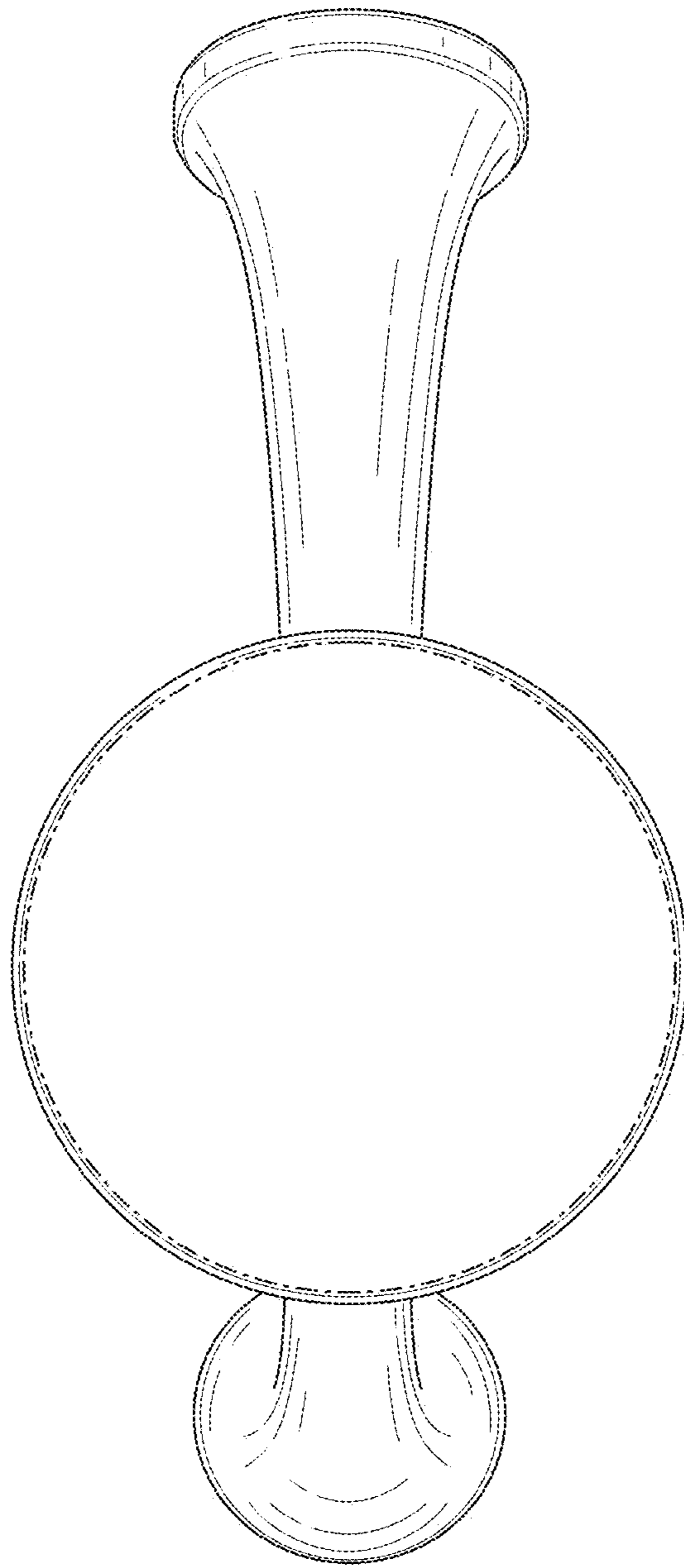


FIG. 3

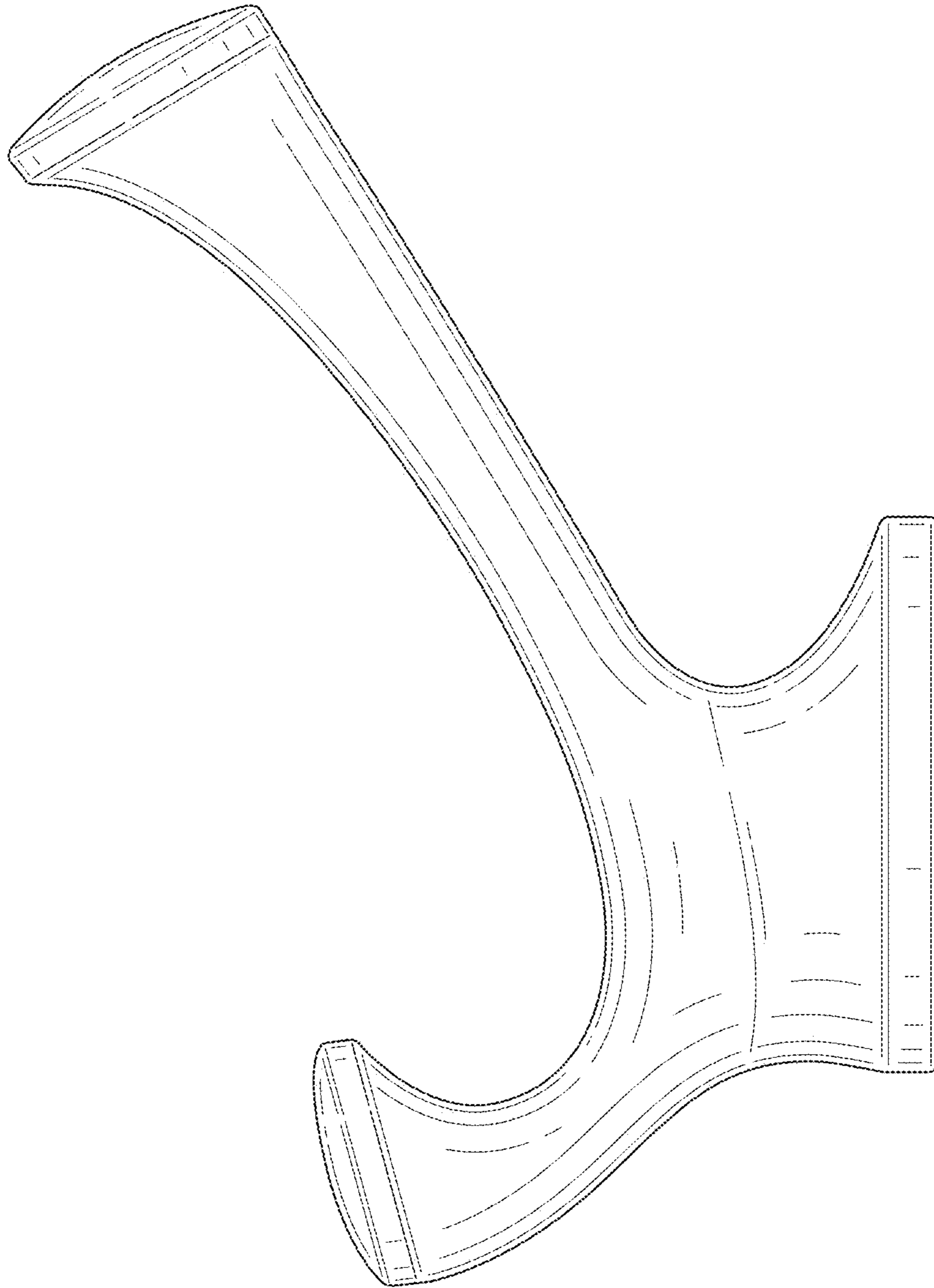


FIG. 4

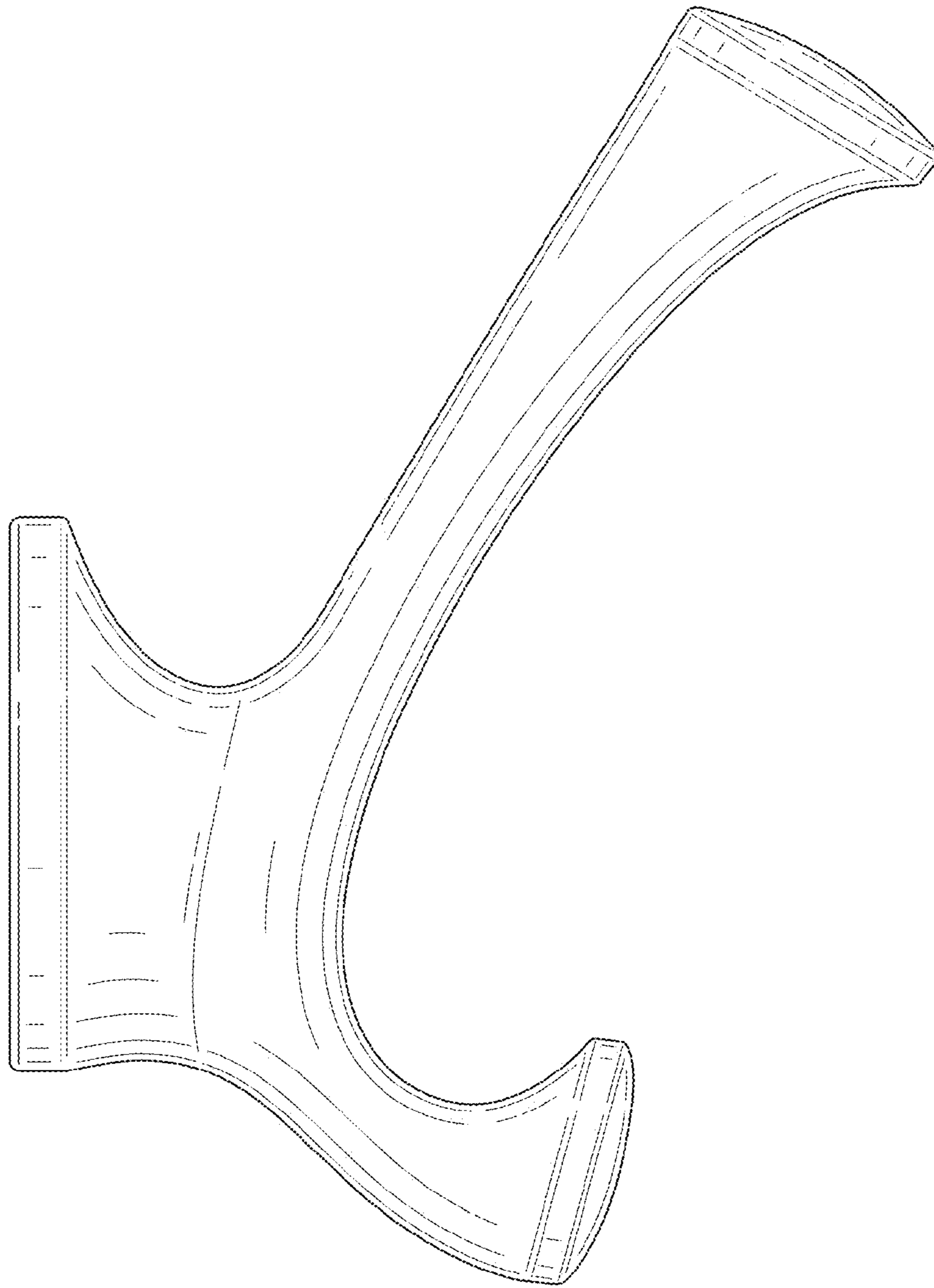


FIG. 5

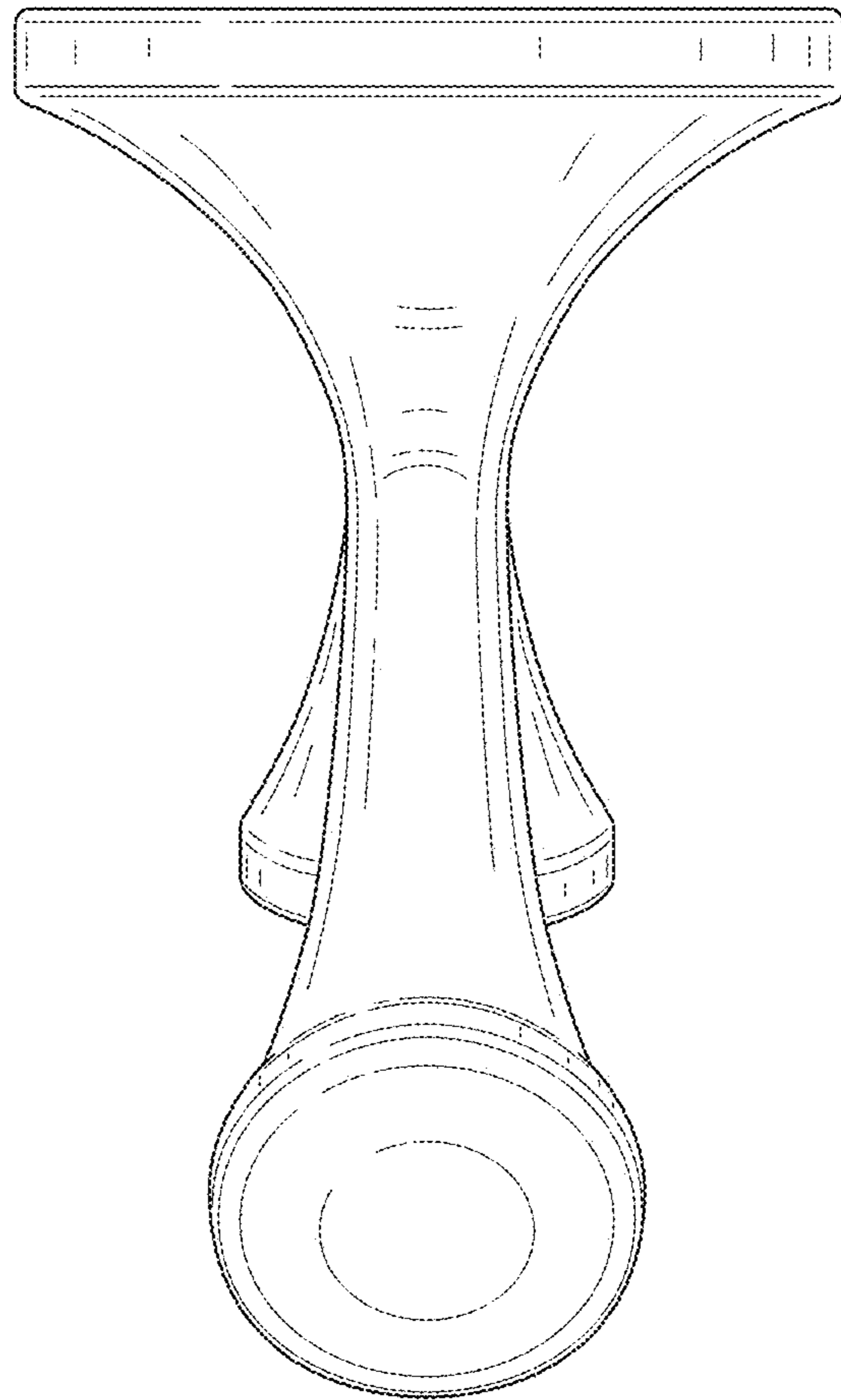
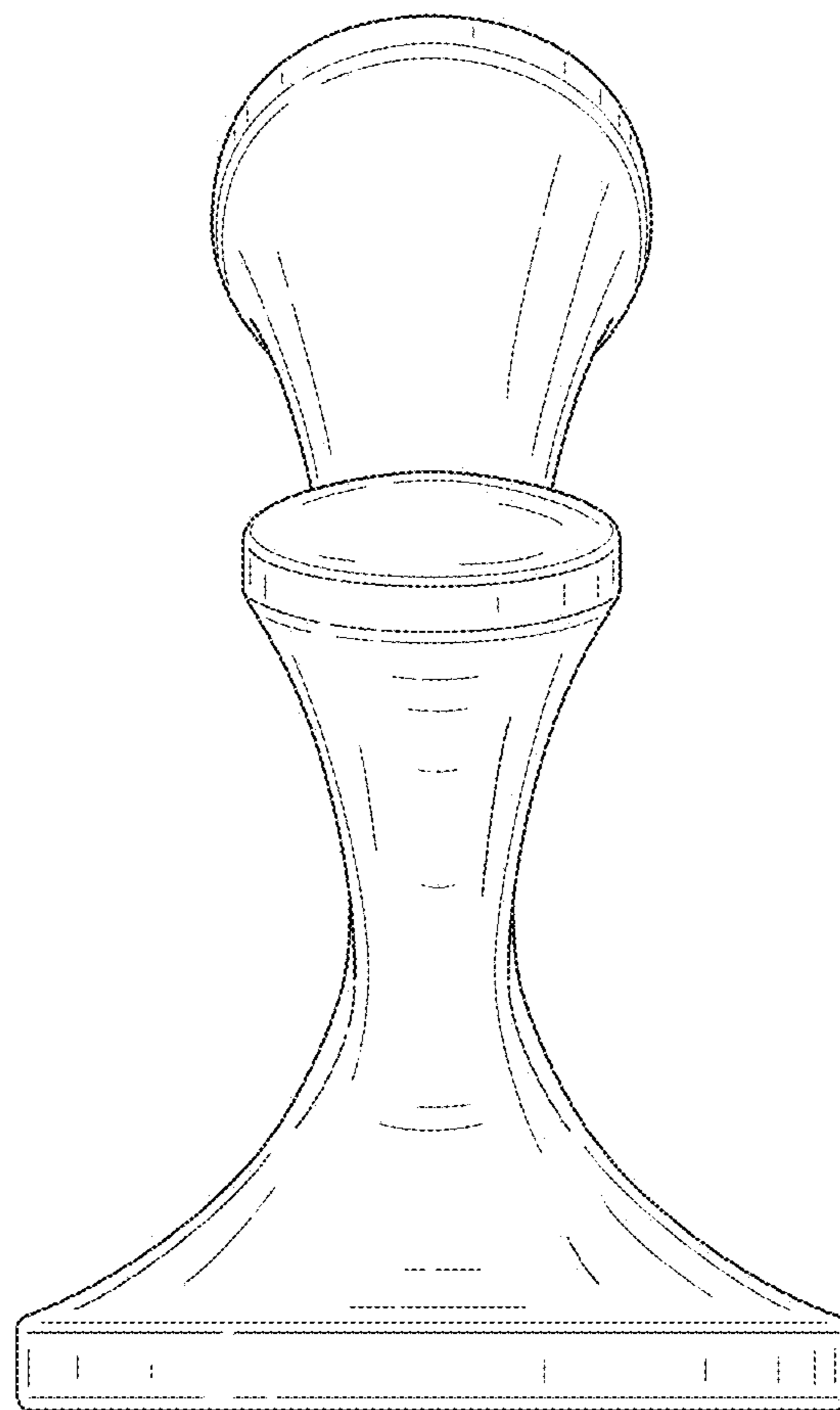


FIG. 6



**FIG. 7**