



US00D706118S

(12) **United States Design Patent**
Rothbaum et al.

(10) **Patent No.:** **US D706,118 S**
(45) **Date of Patent:** **** Jun. 3, 2014**

(54) **STRAP WITH CORD ATTACHMENT MECHANISM FOR A CORD MANAGEMENT SYSTEM**

(71) Applicant: **CJD LLC**, New York, NY (US)

(72) Inventors: **Wayne Philip Rothbaum**, New York, NY (US); **Allison S. Conner**, Brooklyn, NY (US); **Robert B. Curtis**, San Francisco, CA (US); **Jonas K. Damon**, New York, NY (US); **Daniel A. Sanchez**, Brooklyn, NY (US)

(73) Assignee: **CJD LLC**, New York, NY (US)

(**) Term: **14 Years**

(21) Appl. No.: **29/444,911**

(22) Filed: **Feb. 5, 2013**

Related U.S. Application Data

(63) Continuation of application No. 29/401,359, filed on Sep. 11, 2011, now Pat. No. Des. 682,070.

(51) **LOC (10) Cl.** **08-05**

(52) **U.S. Cl.**
USPC **D8/356**

(58) **Field of Classification Search**

USPC D8/356, 354, 349; 220/575; 206/521.15; 24/302, 16 R, 306; 439/501; 381/374; D14/217, 205

See application file for complete search history.

(56) **References Cited**

U.S. PATENT DOCUMENTS

D39,960 S 5/1909 Mussillon
(Continued)

FOREIGN PATENT DOCUMENTS

CN 201352845 Y 11/2009
(Continued)

OTHER PUBLICATIONS

Rothbaum, Notice of Allowance, U.S. Appl. No. 29/401,359, Mar. 22, 2013, 12 pgs.

(Continued)

Primary Examiner — Cynthia Underwood

(74) *Attorney, Agent, or Firm* — Morgan Lewis & Bockius LLP

(57) **CLAIM**

The ornamental design for a strap with cord attachment mechanism for a cord management system, as shown and described.

DESCRIPTION

The present application relates to the following Patents and Applications:

to U.S. utility patent application Ser. No. 12/761,326, filed Apr. 15, 2010, entitled Cord Management System, to U.S. design Pat. No. D636,659, issued Apr. 26, 2011, entitled Strap for a Cord Management System, to U.S. design Pat. No. D667,291, issued Nov. 18, 2012, also entitled Strap for a Cord Management System, to U.S. design Pat. No. D645,333, issued Sep. 20, 2011, also entitled Strap for a Cord Management System, to U.S. design Pat. No. D675,505, issued Feb. 5, 2013, entitled Strap with Hook and Loop Closure for a Cord Management System, to U.S. design application Ser. No. 29/401,930, filed Sep. 16, 2011 (D675,904), entitled Strap with Cord Attachment Mechanism and Hook and Loop Closure for a Cord Management System, and to U.S. design application Ser. No. 29/401,360, filed Sep. 11, 2011 (D675,905), entitled Clip for a Cord Management System.

FIG. 1 is a perspective view of our new design of a strap with a cord attachment mechanism for a cord management system.

FIG. 2 is a top view of FIG. 1.

FIG. 3 is a bottom view of FIG. 1.

FIG. 4 is a view of a first side of FIG. 1.

FIG. 5 is a view of a second side of FIG. 1.

FIG. 6 is a view of a third side of FIG. 1.

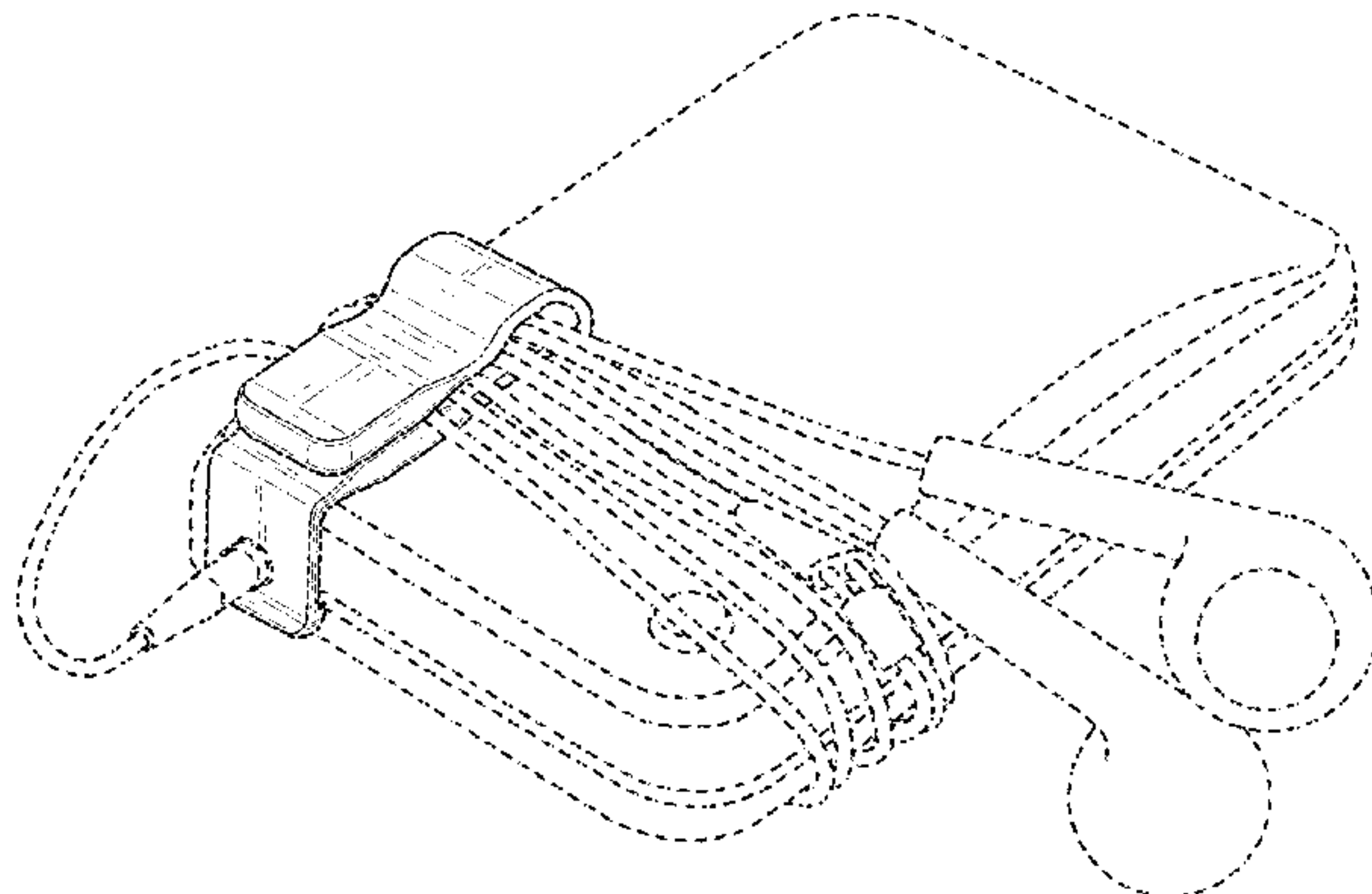
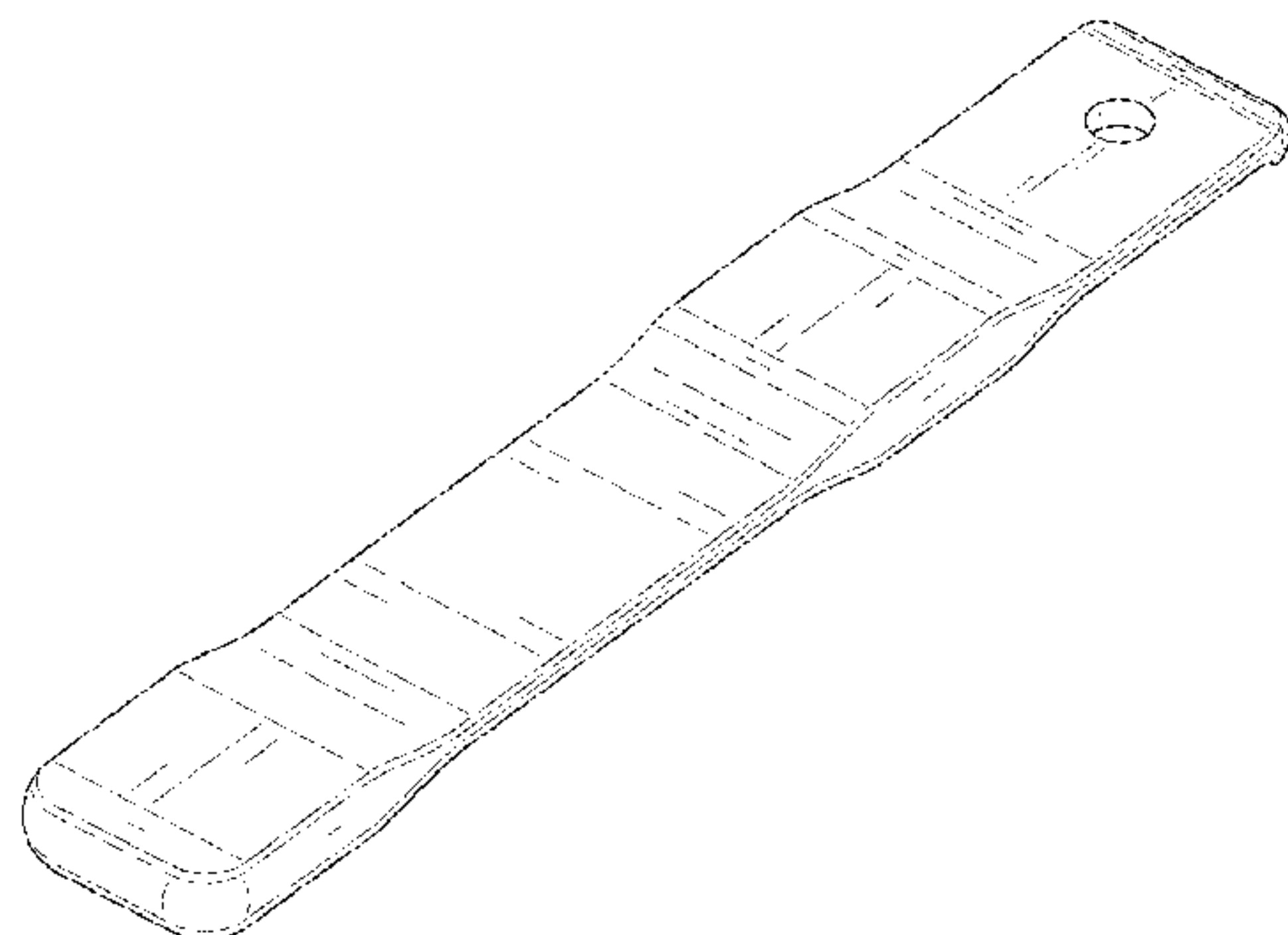
FIG. 7 is a view of a fourth side of FIG. 1.

FIG. 8 is a perspective of the invention of FIG. 1 shown in an alternate configuration of use with an object; and,

FIG. 9 is perspective view of the invention of FIG. 1 shown in another alternate configuration of use with an object.

The broken lines represent environment and form no part of the claim.

1 Claim, 6 Drawing Sheets



(56)

References Cited

U.S. PATENT DOCUMENTS

1,544,386 A 6/1925 Fridolph
 1,675,421 A 12/1928 Pettee et al.
 1,722,498 A 7/1929 Fridolph
 2,373,328 A * 4/1945 Morehouse 248/61
 2,826,796 A * 3/1958 Davis 24/170
 2,880,008 A * 3/1959 Stoner 279/58
 2,929,596 A * 3/1960 Ewing 248/74.3
 2,965,939 A 12/1960 Olsson
 D206,401 S 12/1966 Fisher
 3,529,328 A * 9/1970 Davison 24/303
 D224,960 S 10/1972 Wilson
 3,919,740 A 11/1975 Scherb
 3,994,048 A 11/1976 Rosenthal
 4,815,172 A 3/1989 Ward
 4,920,235 A 4/1990 Yamaguchi
 4,940,427 A 7/1990 Pearson
 4,957,232 A 9/1990 Sprague
 5,048,158 A 9/1991 Koerner
 5,086,543 A * 2/1992 Mitchell 24/16 PB
 5,130,899 A 7/1992 Larkin et al.
 5,136,759 A * 8/1992 Armour, II 24/442
 5,142,743 A 9/1992 Hahn
 5,168,603 A 12/1992 Reed
 D353,990 S * 1/1995 Alfreds D8/356
 D357,739 S 4/1995 Stewart et al.
 5,402,971 A 4/1995 Bower
 5,517,838 A 5/1996 Moore
 5,518,214 A 5/1996 Spencer
 5,572,773 A 11/1996 Bauer
 5,584,452 A 12/1996 Koike
 5,586,760 A 12/1996 Hauter
 5,595,014 A 1/1997 Moore
 5,604,961 A 2/1997 Cole
 D381,023 S 7/1997 Accardo
 D381,888 S 8/1997 Gonda et al.
 D384,669 S 10/1997 Collier
 5,682,653 A 11/1997 Berglof et al.
 D390,447 S 2/1998 Colen, Jr.
 5,732,445 A 3/1998 Stodolka et al.
 5,745,958 A * 5/1998 Kaldor 24/16 R
 5,802,676 A 9/1998 Tolan
 D401,137 S 11/1998 Boelling
 5,845,374 A 12/1998 Briggs
 6,010,105 A 1/2000 Davis
 6,044,525 A 4/2000 Sastre et al.
 6,085,393 A 7/2000 Tsui et al.
 6,087,594 A 7/2000 Chou
 6,131,200 A 10/2000 McNamara
 6,279,804 B1 8/2001 Gregg
 6,301,754 B1 10/2001 Grunberger et al.
 6,344,021 B1 2/2002 Juster et al.
 D454,235 S 3/2002 Kaplan
 6,427,290 B1 8/2002 Liu
 6,467,132 B1 10/2002 Robley
 6,474,520 B1 * 11/2002 Finkelstein 224/267
 6,490,767 B2 12/2002 Haiduk
 6,499,199 B2 12/2002 Frazier
 6,581,885 B2 6/2003 Polad
 6,588,074 B2 7/2003 Galkiewicz et al.
 6,701,580 B1 3/2004 Bandyopadhyay
 D488,374 S 4/2004 Hussaini et al.
 D491,046 S * 6/2004 Johnson D8/356
 6,763,554 B1 7/2004 Torrey et al.
 D495,972 S 9/2004 Pettingill
 6,880,270 B2 4/2005 Prather
 D505,785 S 6/2005 Woody
 6,992,253 B1 1/2006 Spellman et al.
 7,025,509 B2 4/2006 Martin
 7,039,958 B2 5/2006 Henricksen
 7,080,430 B2 7/2006 Wemmer
 7,096,544 B2 8/2006 Lusardi
 7,213,278 B2 5/2007 Peterson et al.
 D543,833 S 6/2007 Folk et al.
 D566,526 S 4/2008 Robbins et al.
 D567,630 S 4/2008 Brassard

D567,631 S 4/2008 Brassard
 D572,156 S 7/2008 Payne
 D580,257 S 11/2008 Squyers
 7,448,689 B2 11/2008 Carter et al.
 7,516,591 B2 4/2009 Wolner et al.
 7,543,359 B2 6/2009 Moughelbay et al.
 D599,196 S 9/2009 Ruffin et al.
 D611,317 S 3/2010 McGrath et al.
 D613,137 S 4/2010 Wieberdink et al.
 7,712,696 B2 5/2010 Loh
 7,731,069 B2 6/2010 Lopreiato
 D619,883 S * 7/2010 Hansort D8/382
 D619,884 S 7/2010 Hansort
 D624,378 S 9/2010 Wysopal
 D625,579 S 10/2010 Lee et al.
 D631,327 S * 1/2011 Maraia D8/356
 D631,328 S * 1/2011 Chen D8/356
 D636,659 S 4/2011 Rothbaum et al.
 D639,963 S 6/2011 Kase
 8,002,159 B2 8/2011 Cragg
 D645,333 S 9/2011 Rothbaum et al.
 8,103,352 B2 1/2012 Fried et al.
 D654,052 S 2/2012 Lee et al.
 D660,740 S 5/2012 Cullen et al.
 D662,087 S 6/2012 Peller
 8,203,077 B2 * 6/2012 Honeycutt et al. 174/66
 D664,831 S 8/2012 Scherer
 D666,076 S 8/2012 Muratore et al.
 D666,896 S 9/2012 Pinholster, Jr. et al.
 D667,043 S 9/2012 Couch, III
 8,261,416 B2 9/2012 Rothbaum et al.
 D675,123 S 1/2013 Nunez
 D676,425 S 2/2013 Nishimura et al.
 D676,733 S 2/2013 Zach et al.
 8,366,058 B2 * 2/2013 Tiedemann, Sr. 248/74.3
 D677,652 S 3/2013 Gifford
 8,413,306 B2 4/2013 Gallant et al.
 8,453,899 B1 6/2013 Calkin
 8,590,823 B2 * 11/2013 Rothbaum et al. 242/360
 2001/0035242 A1 11/2001 Hughs et al.
 2002/0033271 A1 3/2002 Fritschle et al.
 2002/0073516 A1 6/2002 Behar
 2002/0112323 A1 8/2002 Nire
 2002/0139823 A1 10/2002 Johnson
 2003/0167605 A1 9/2003 Schultz
 2005/0016760 A1 1/2005 Vasichek
 2005/0025329 A1 2/2005 Lee
 2005/0255898 A1 11/2005 Huang
 2006/0008106 A1 1/2006 Harper
 2006/0121962 A1 6/2006 Kohli
 2006/0178041 A1 8/2006 Lund et al.
 2006/0186150 A1 8/2006 Willows et al.
 2006/0206986 A1 9/2006 Straiton
 2007/0086617 A1 4/2007 Loh
 2007/0152008 A1 7/2007 Case
 2008/0041897 A1 2/2008 Malhotra
 2008/0083096 A1 4/2008 Wilkinson
 2008/0149679 A1 6/2008 Case et al.
 2008/0164157 A1 7/2008 Sween et al.
 2009/0013504 A1 1/2009 Crespo
 2009/0016559 A1 1/2009 Cleary
 2009/0314515 A1 12/2009 Bevirt et al.

FOREIGN PATENT DOCUMENTS

GB 2420552 A 5/2006
 JP 63125493 U 8/1988
 JP 11317995 A 11/1999
 JP 2001169381 A 6/2001
 JP 2003230418 A 8/2003
 JP 2003319484 A 11/2003
 JP 2006081130 A 3/2006
 JP 2006-222712 A 8/2006
 JP 2009212918 A 9/2009
 KR 20-0301311 1/2003

(56)

References Cited

FOREIGN PATENT DOCUMENTS

WO WO 2004/071056 A1 8/2004

OTHER PUBLICATIONS

Rothbaum, Notice of Allowance, U.S. Appl. No. 29/428,997, Feb. 27, 2013, 7 pgs.
Rothbaum, Notice of Allowance, U.S. Appl. No. 29/443,387, May 24, 2013, 8 pgs.
CJD LLC, ISR/WO, PCT/US2010/031087, Apr. 29, 2011, 24 pgs.
Earbud Clips, Wetjetset.com, Jun. 7, 2010, 3 pgs.
Headphone cable tidy—pack of 3—accessories for PDA, smartphone . . . , Jun. 7, 2010, 2 pgs.
Quogue Capital LLC, ISR/WO, PCT/US2009/067927, Jul. 14, 2010, 8 pgs.
Rothbaum, ISR/WO, PCT/US2010/053244, Jun. 24, 2011, 24 pgs.
Rothbaum, Notice of Allowance, U.S. Appl. No. 29/368,746, Dec. 29, 2010, 8 pgs.
Rothbaum, Notice of Allowance, U.S. Appl. No. 29/368,755, May 15, 2012, 8 pgs.
Rothbaum, Notice of Allowance, U.S. Appl. No. 29/388,372, Jul. 14, 2011, 5 pgs.
Rothbaum, Notice of Allowance, U.S. Appl. No. 29/401,359, Nov. 15, 2012, 7 pgs.

Rothbaum, Notice of Allowance, U.S. Appl. No. 29/401,360, Sep. 28, 2012, 5 pgs.
Rothbaum, Notice of Allowance, U.S. Appl. No. 29/401,643, Sep. 18, 2012, 8 pgs.
Rothbaum, Notice of Allowance, U.S. Appl. No. 29/401,930, Nov. 23, 2012, 7 pgs.
Rothbaum, Office Action, U.S. Appl. No. 29/368,754, Jul. 19, 2011, 5 pgs.
Sumajin smartwrap earphone cord manager, www.ilounge.com, Jun. 7, 2010, 3 pgs.
Use magnetic paper clips to keep cords from tangling, Jun. 7, 2010, 5 pgs.
Rothbaum, Notice of Allowance, U.S. Appl. No. 29/443,386, Aug. 6, 2013, 6 pgs.
Rothbaum, Notice of Allowance, U.S. Appl. No. 29/443,386, Nov. 14, 2013, 9 pgs.
Rothbaum, Notice of Allowance, U.S. Appl. No. 29/443,389, Aug. 6, 2013, 6 pgs.
Rothbaum, Notice of Allowance, U.S. Appl. No. 29/458,903, Nov. 4, 2013, 8 pgs.
Rothbaum, Notice of Allowance, U.S. Appl. No. 29/465,282, Oct. 25, 2013, 8 pgs.
Rothbaum, Notice of Allowance, U.S. Appl. No. 29/443,389, Nov. 14, 2013, 8 pgs.

* cited by examiner

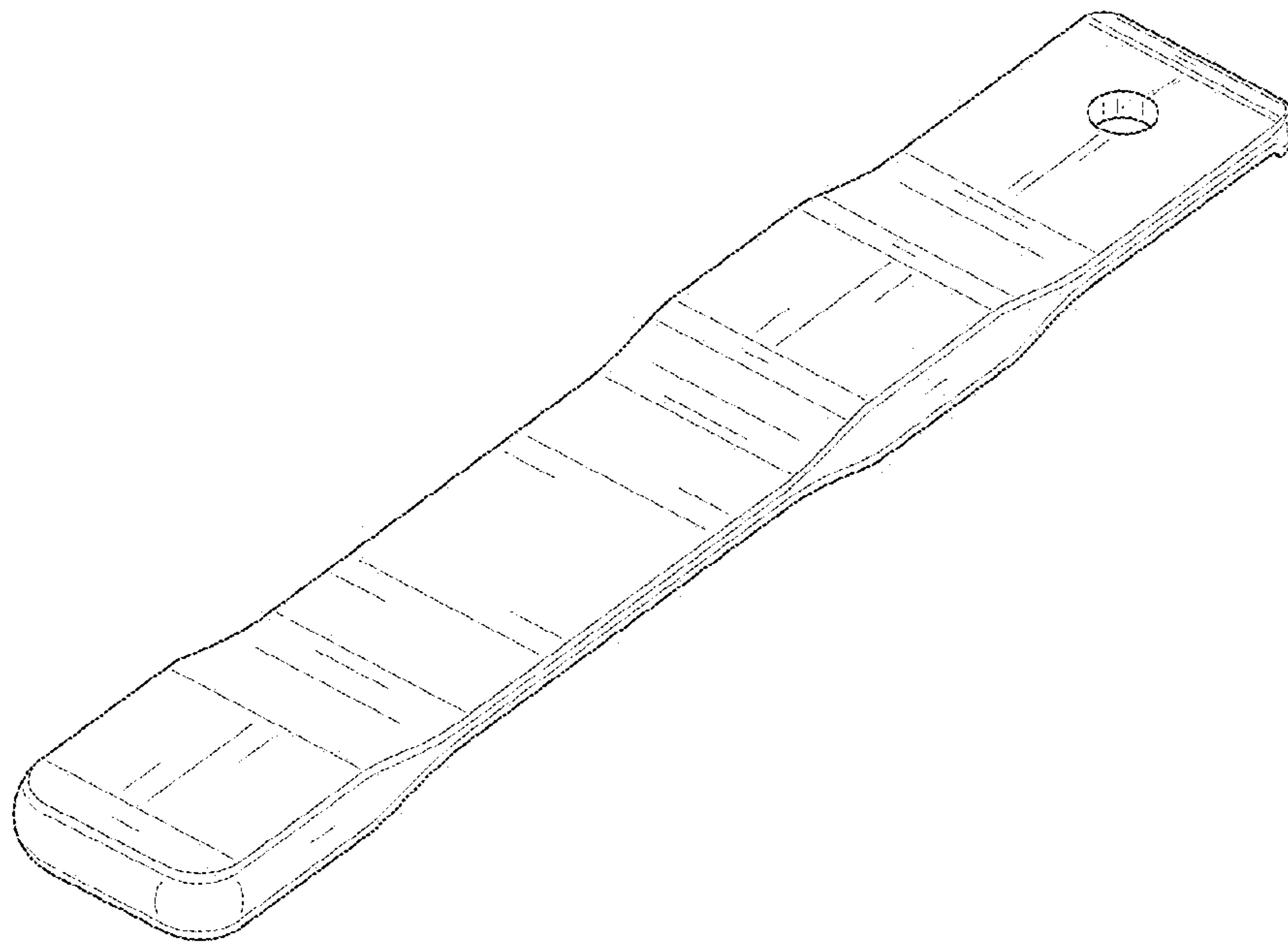


FIG. 1

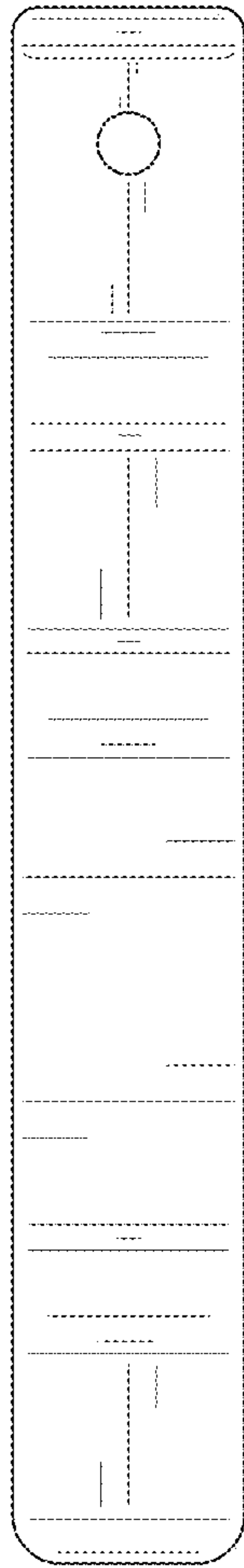


FIG. 2

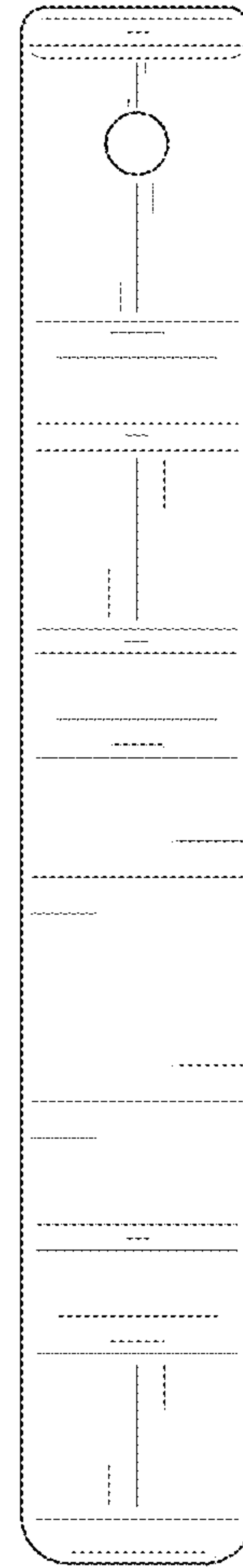


FIG. 3

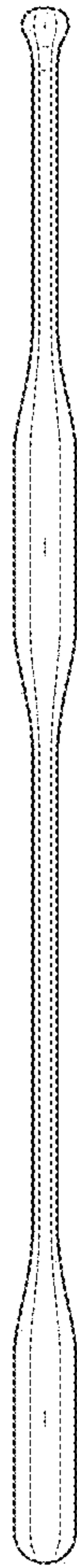


FIG. 4

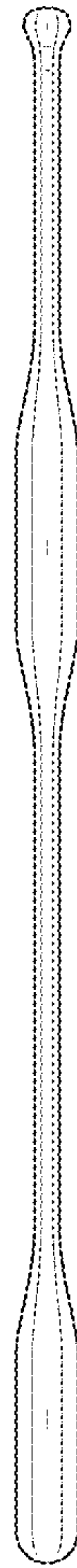


FIG. 5

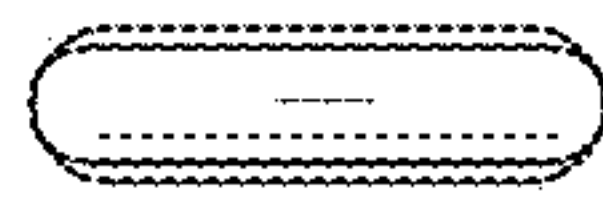


FIG. 6

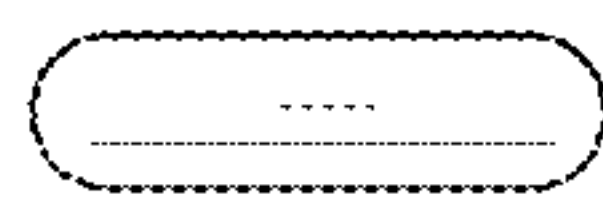


FIG. 7

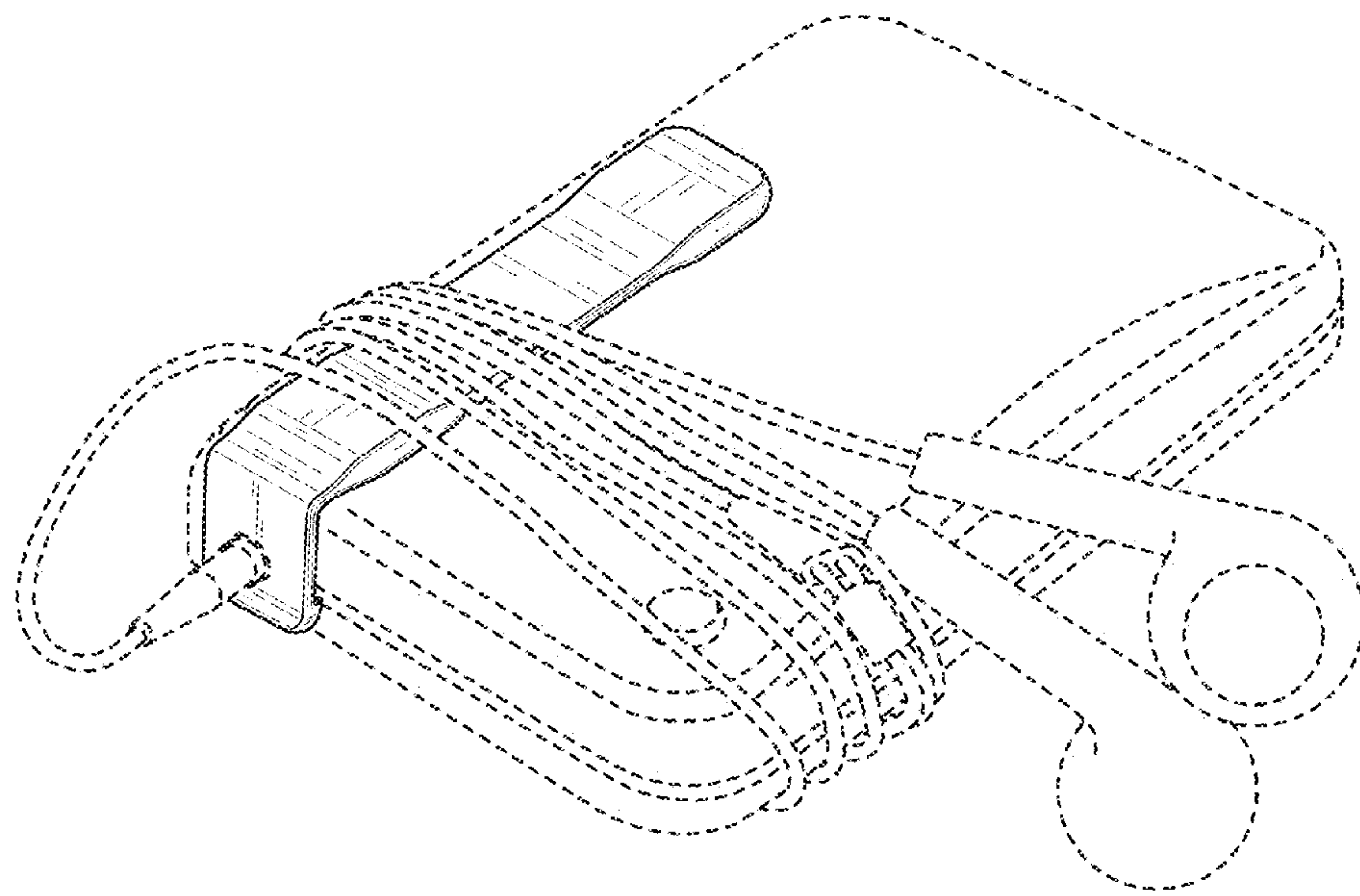


FIG. 8

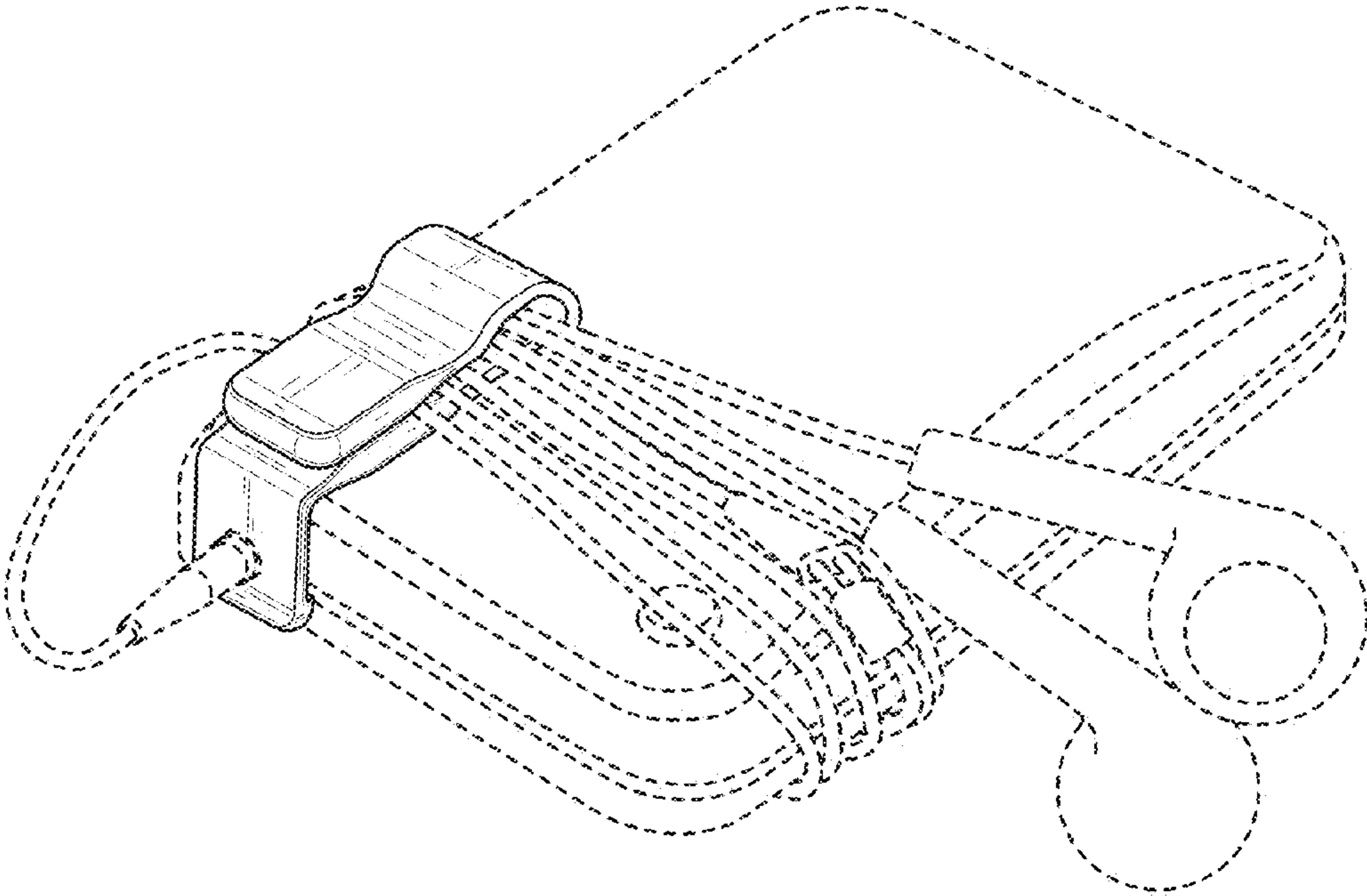


FIG. 9