



US00D706117S

(12) **United States Design Patent**
Toimil et al.

(10) **Patent No.:** **US D706,117 S**
(45) **Date of Patent:** **** *Jun. 3, 2014**

(54) **INTERCHANGEABLE SELF-LOCKING
SPRING LOADED QUICK CONNECT
APPARATUS FOR CABLE**

(71) Applicants: **Andrew G. Toimil**, Sonoma, CA (US);
George Shevchuk, San Francisco, CA
(US)

(72) Inventors: **Andrew G. Toimil**, Sonoma, CA (US);
George Shevchuk, San Francisco, CA
(US)

(73) Assignee: **Feeney, Inc.**, Oakland, CA (US)

(*) Notice: This patent is subject to a terminal dis-
claimer.

(**) Term: **14 Years**

(21) Appl. No.: **29/434,006**

(22) Filed: **Oct. 9, 2012**

Related U.S. Application Data

(62) Division of application No. 29/376,911, filed on Oct.
13, 2010, now Pat. No. Des. 683,614.

(51) **LOC (10) Cl.** **08-05**

(52) **U.S. Cl.**
USPC **D8/356**; D13/154

(58) **Field of Classification Search**
USPC D8/356, 354, 349, 499, 383, 395, 396;
439/207, 208, 209, 210, 211, 445, 446,
439/447; 248/68.1, 49, 74.4; 385/59, 137;
604/179, 174, 93.01, 48, 19; D13/154
See application file for complete search history.

(56) **References Cited**

U.S. PATENT DOCUMENTS

835,406 A 11/1906 Dawson
D130,509 S 11/1941 Shanor
3,038,558 A 6/1962 Plummer
D385,476 S 10/1997 Hill

D443,858 S * 6/2001 Treiger et al. D13/133
D447,930 S 9/2001 Larson
6,709,100 B2 * 3/2004 Kalbach 351/156
D578,966 S 10/2008 Grimm
D607,830 S * 1/2010 Shaw D13/151
D608,294 S * 1/2010 Shaw D13/151
D608,353 S * 1/2010 Tsai D14/228
D614,584 S * 4/2010 Neitzel et al. D13/156
D624,394 S 9/2010 Domek et al.
D626,091 S * 10/2010 Neitzel et al. D13/156
D628,050 S 11/2010 Petersen et al.
D628,461 S 12/2010 Stein et al.
D642,989 S * 8/2011 Montena et al. D13/156
D643,335 S * 8/2011 Pontaoe D11/221
D645,022 S * 9/2011 Lee et al. D14/205
D653,100 S 1/2012 Chen
D661,256 S * 6/2012 Shawgo D13/151
D675,985 S * 2/2013 Izen et al. D13/133
D678,199 S * 3/2013 Izen et al. D13/133
D679,660 S * 4/2013 Haberek et al. D13/151
D680,963 S * 4/2013 Purdy D13/151
2009/0324188 A1 12/2009 Berglund et al.

* cited by examiner

Primary Examiner — Cynthia Underwood

(74) *Attorney, Agent, or Firm* — Cozen O'Connor

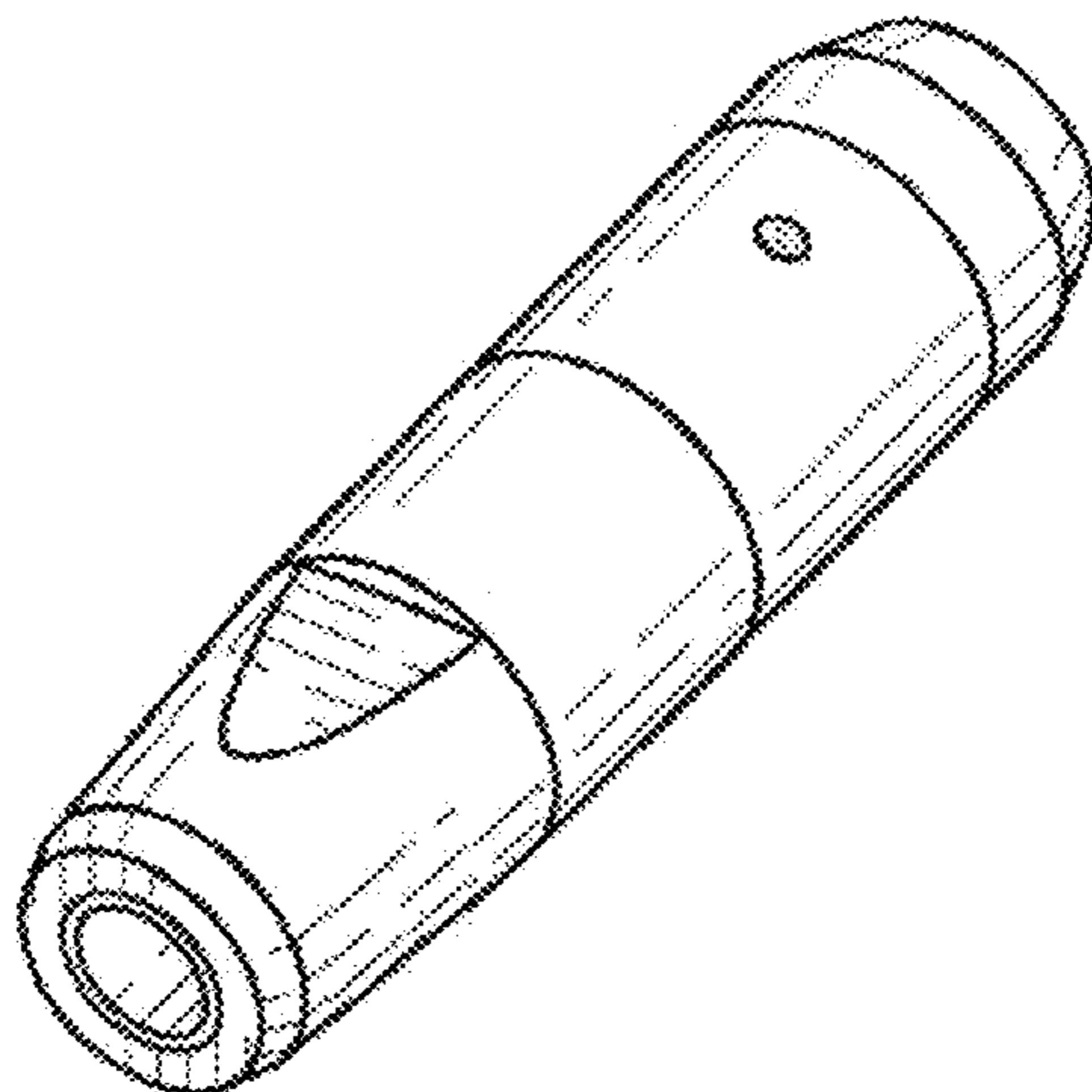
(57) **CLAIM**

The ornamental design for an interchangeable self-locking
spring loaded quick connect apparatus for cable, as shown
and described.

DESCRIPTION

FIG. 1 is a front, top, right side perspective view of an inter-
changeable self-locking spring loaded quick connect appara-
tus for cable embodying our new design;
FIG. 2 is a rear, bottom, right side perspective view of FIG. 1;
FIG. 3 is a front view of FIG. 1;
FIG. 4 is a rear view thereof;
FIG. 5 is a right side view of FIG. 1, the left side view being
a mirror image thereof;
FIG. 6 is a top plan view of FIG. 1; and,
FIG. 7 is a bottom plan view of FIG. 1.

1 Claim, 2 Drawing Sheets



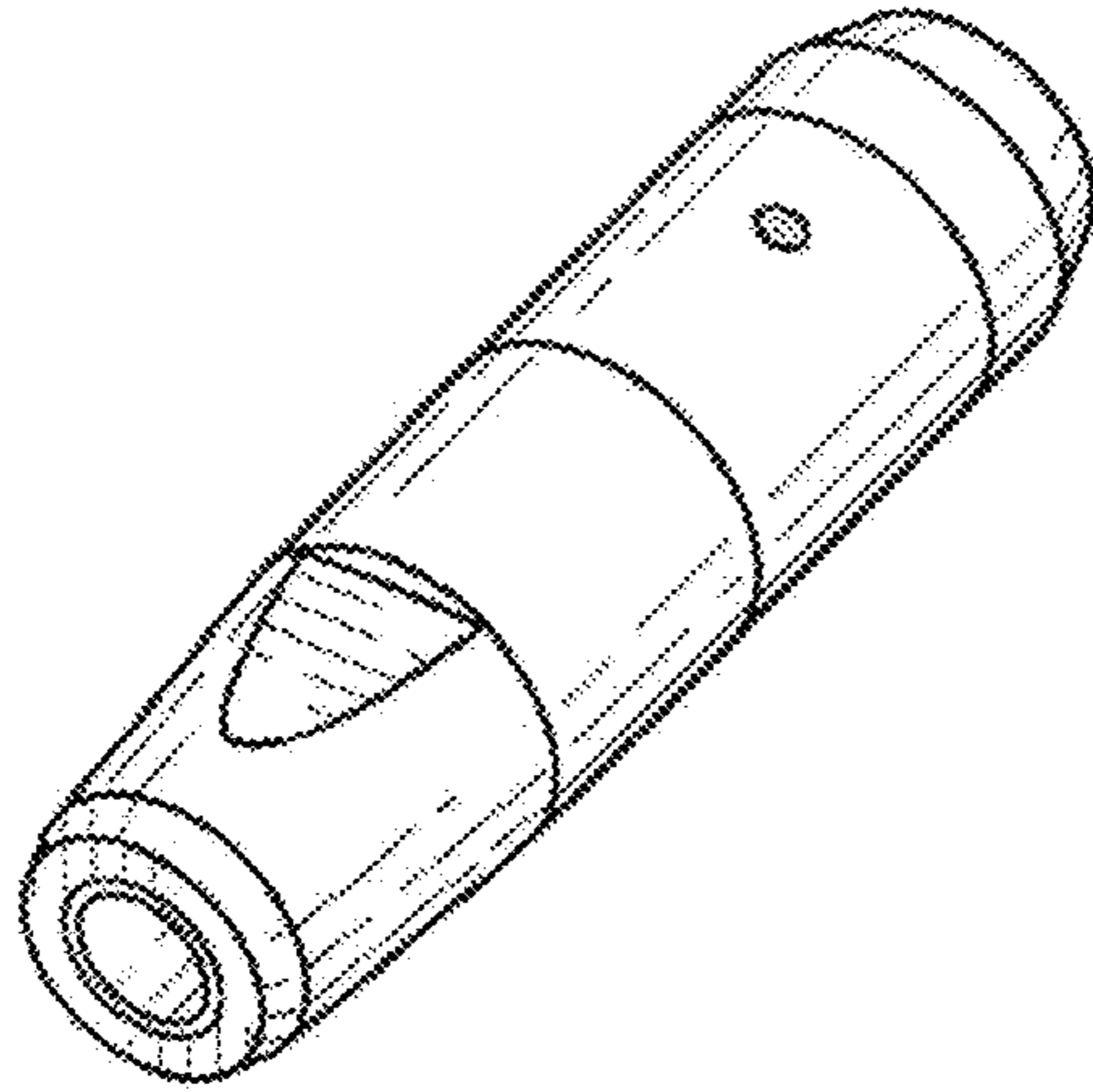


FIG. 1

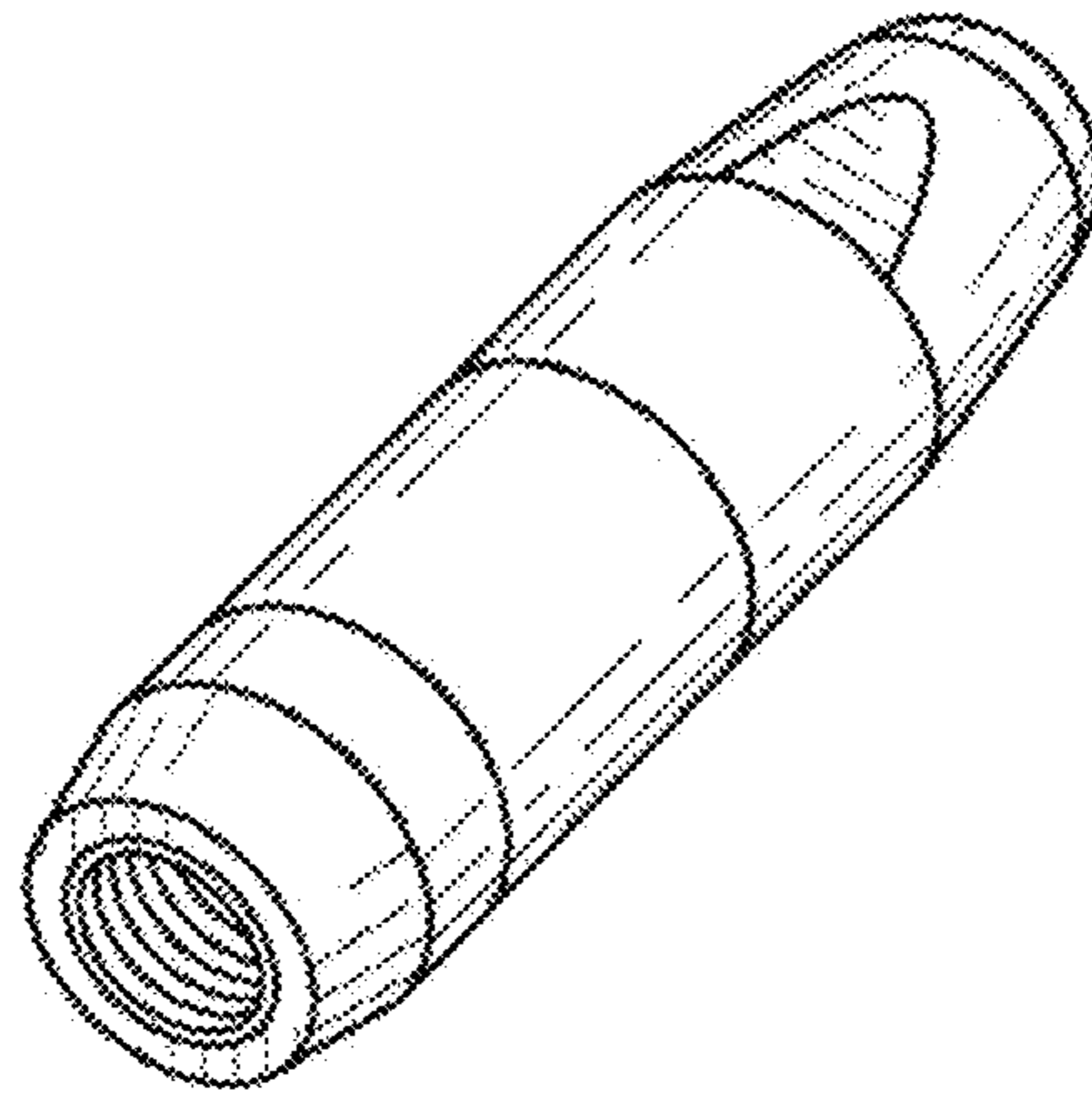


FIG. 2

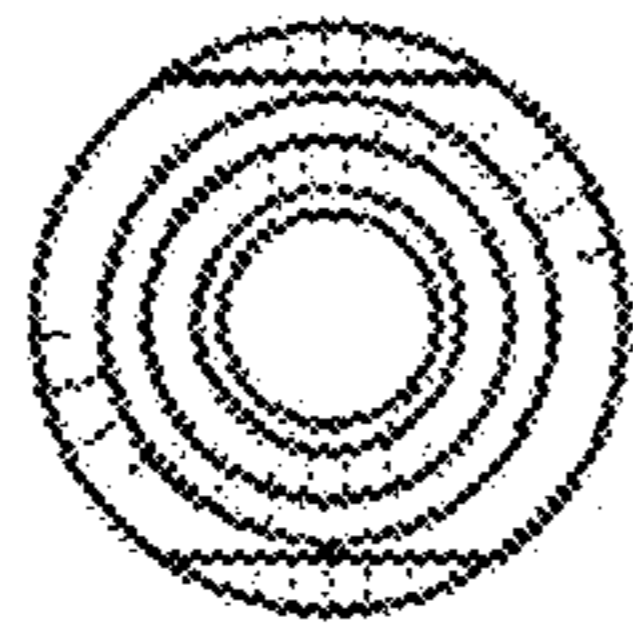


FIG. 3

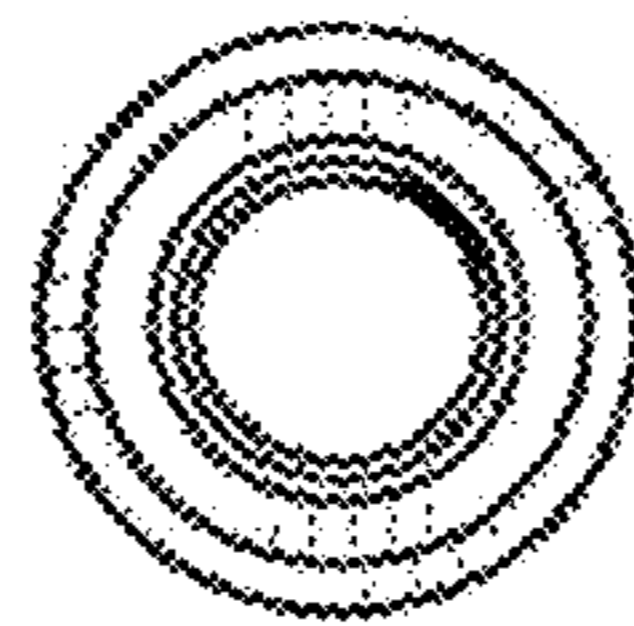


FIG. 4

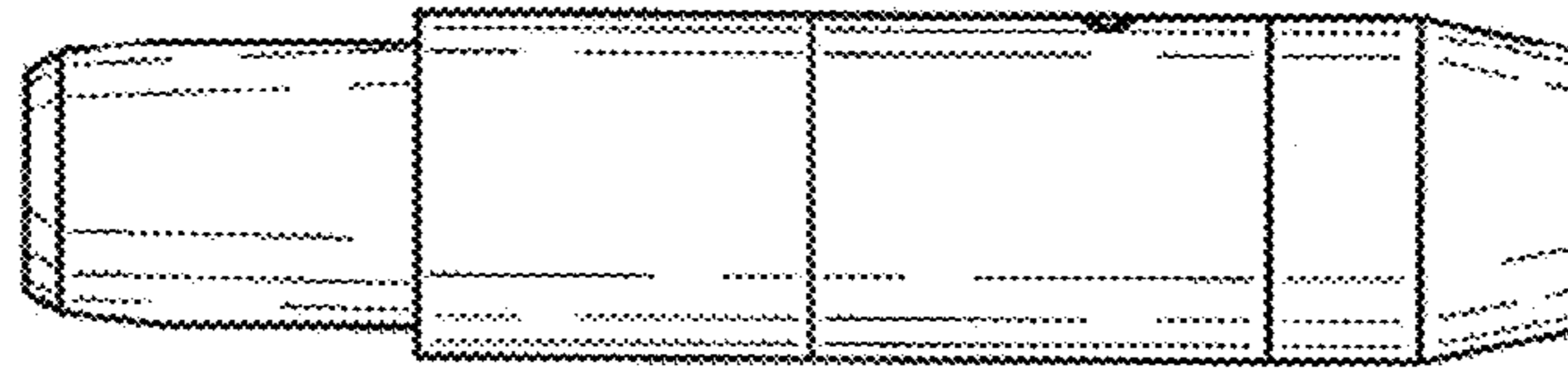


FIG. 5

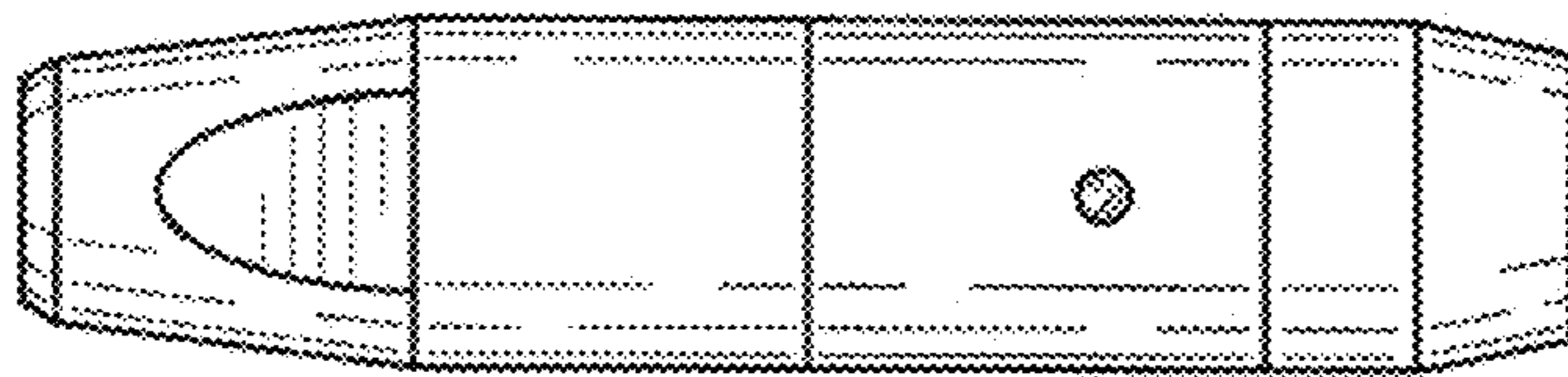


FIG. 6

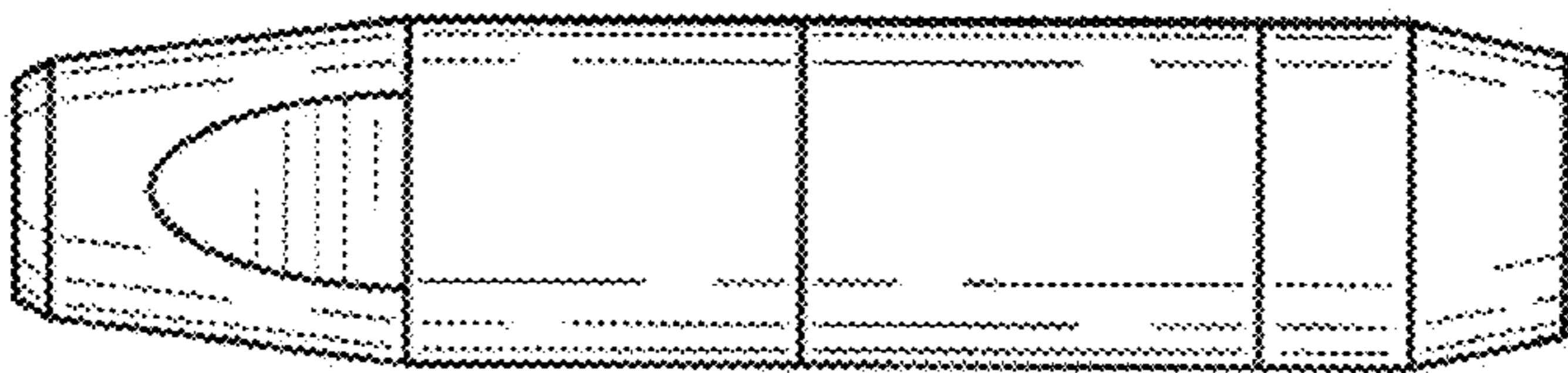


FIG. 7