



US00D706114S

(12) **United States Design Patent**
Nave

(10) **Patent No.:** **US D706,114 S**
(45) **Date of Patent:** **** Jun. 3, 2014**

(54) **LOCK**

FOREIGN PATENT DOCUMENTS

(71) Applicant: **Master Lock Company LLC**, Oak Creek, WI (US)

AU 142220 9/2001
AU 156126 8/2004

(Continued)

(72) Inventor: **Zachery T. Nave**, Oak Creek, WI (US)

OTHER PUBLICATIONS

(73) Assignee: **Master Lock Company LLC**, Oak Creek, WI (US)

Office Action from Japanese Patent Application No. 2012-28816, dated Feb. 25, 2013.

(**) Term: **14 Years**

(Continued)

(21) Appl. No.: **29/462,981**

Primary Examiner — Prabhakar Deshmukh

(22) Filed: **Aug. 12, 2013**

(74) *Attorney, Agent, or Firm* — Calfee, Halter & Griswold LLP

Related U.S. Application Data

(62) Division of application No. 29/422,706, filed on May 23, 2012.

(51) **LOC (10) Cl.** **08-07**

(52) **U.S. Cl.**
USPC **D8/347**

(58) **Field of Classification Search**
USPC D8/330, 331, 334, 339, 342-344, D8/347-349; 70/14, 20, 31, 51, 52, 57, 70/57.1, 78, 85, 156, 224, 284, 285, 291, 70/336, 431, 447, DIG. 13
See application file for complete search history.

(57) **CLAIM**

I claim the ornamental design for a lock, as shown and described.

DESCRIPTION

FIG. 1 is a front left perspective view of a lock of the new design;
FIG. 2 is a front right perspective view of the lock of FIG. 1;
FIG. 3 is a front elevational view of the lock of FIG. 1;
FIG. 4 is a rear elevational view of the lock of FIG. 1;
FIG. 5 is a right side elevational view of the lock of FIG. 1;
FIG. 6 is a left side elevational view of the lock of FIG. 1;
FIG. 7 is a top plan view of the lock of FIG. 1; and,
FIG. 8 is a bottom plan view of the lock of FIG. 1.
The broken lines immediately adjacent the shaded areas represent the bounds of the claimed design while all other broken lines are directed to environment and are for illustrative purposes only; the broken lines form no part of the claimed design.

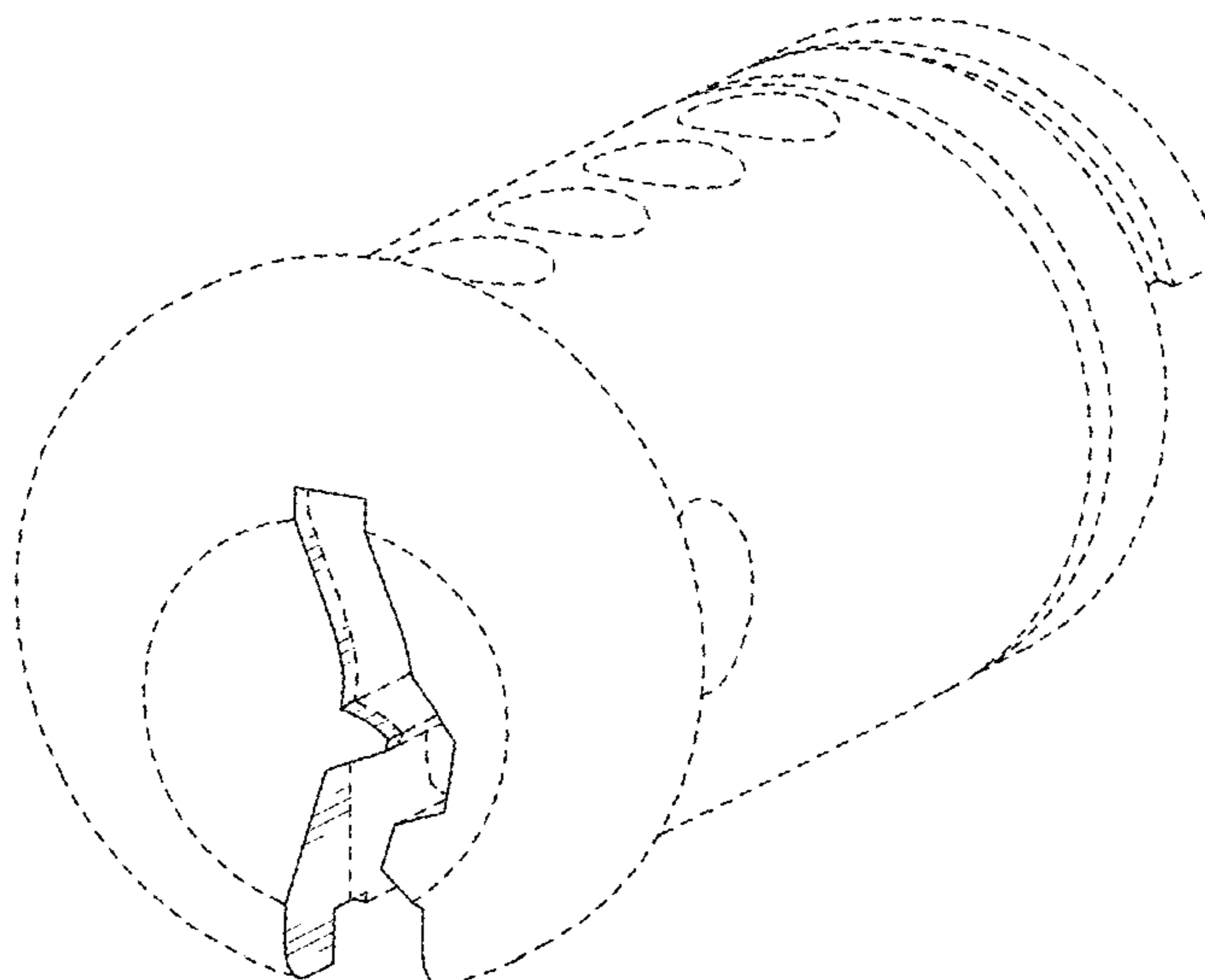
(56) **References Cited**

U.S. PATENT DOCUMENTS

1,662,387 A * 3/1928 Maier 83/324
1,782,464 A * 11/1930 Falk 70/406
2,629,247 A * 2/1953 Deutsch 70/340
2,803,959 A * 8/1957 Schlage 70/420

(Continued)

1 Claim, 3 Drawing Sheets



(56)

References Cited

U.S. PATENT DOCUMENTS

3,380,268 A * 4/1968 Perrill 70/491
 3,393,542 A * 7/1968 Crepinsek 70/358
 3,499,302 A 3/1970 Flora et al.
 3,499,304 A * 3/1970 Naujoks 70/406
 3,526,111 A 9/1970 Jacobi
 3,648,492 A 3/1972 Walters et al.
 3,793,500 A 2/1974 Gerber
 4,012,928 A 3/1977 Dauenbaugh
 4,114,411 A 9/1978 Schlage
 4,208,894 A 6/1980 Surko, Jr.
 4,608,842 A * 9/1986 Tietz 70/358
 4,723,427 A 2/1988 Oliver
 4,964,288 A 10/1990 Braun et al.
 D324,483 S 3/1992 Best et al.
 D328,856 S * 8/1992 Best et al. D8/347
 D335,253 S * 5/1993 Eizen D8/347
 D341,073 S 11/1993 Omori
 D350,059 S 8/1994 Hoffman et al.
 D350,061 S 8/1994 Hoffman et al.
 5,337,588 A 8/1994 Chhatwal
 D352,227 S 11/1994 Hoffman et al.
 D352,446 S 11/1994 Hoffman et al.
 D353,320 S 12/1994 Eizen
 D362,796 S 10/1995 Hoffman et al.
 D368,846 S 4/1996 Myers et al.
 D378,270 S 3/1997 Aston

D378,346 S 3/1997 Aston
 7,040,126 B2 5/2006 Edwards, Jr.
 7,043,945 B2 5/2006 Hollingsworth
 7,207,200 B2 4/2007 Eden et al.
 D559,655 S 1/2008 Meckbach
 7,337,639 B2 3/2008 Edwards, Jr.
 D605,025 S 12/2009 Wu et al.
 D630,084 S 1/2011 Lin

FOREIGN PATENT DOCUMENTS

EP 000551973-0002 6/2006
 RS 54786 7/2006
 RU 59053 12/2006

OTHER PUBLICATIONS

Office Action from Japanese Patent Application No. 2012-28817, dated Feb. 26, 2013.
 Master Lock 2011 Commercial Price List, effective Jun. 1, 2011; 3 pages.
 Master Lock Commercial Products Technical Manual, issue 07.10; pp. 15-16.
 Office Action from Russian Patent Application No. 2012504030.
 Second Office Action from Russian Patent Application No. 2012504030.

* cited by examiner

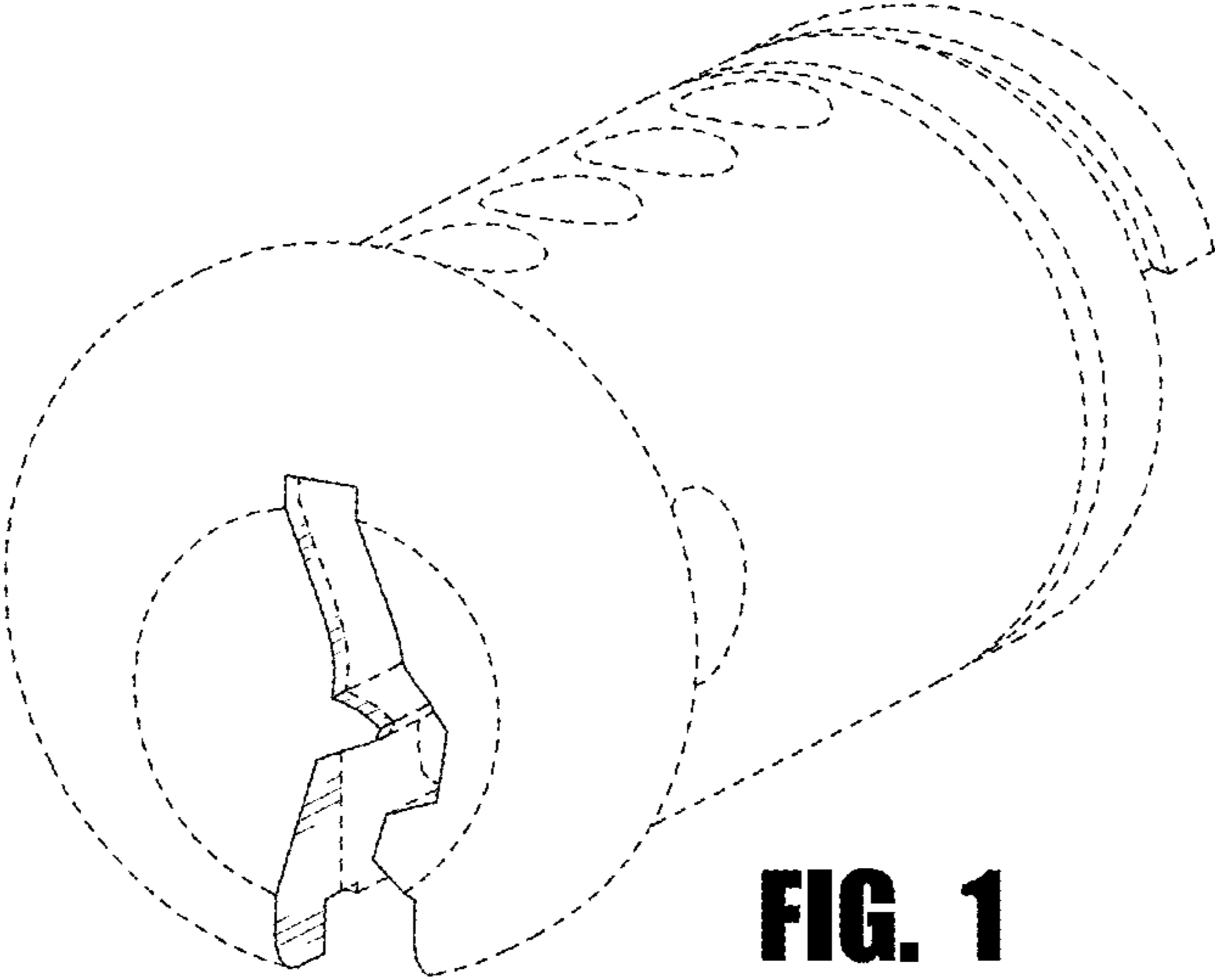


FIG. 1

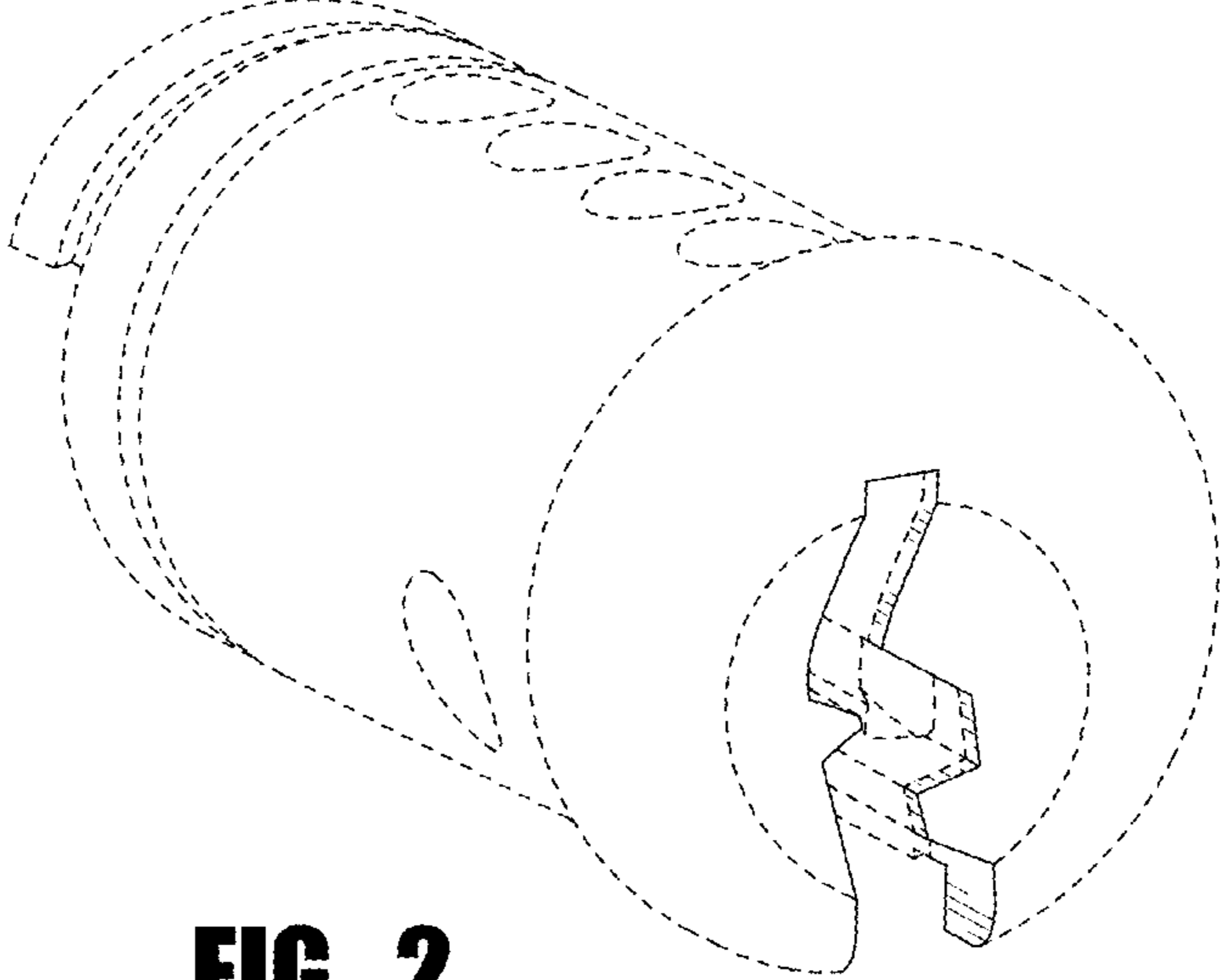


FIG. 2

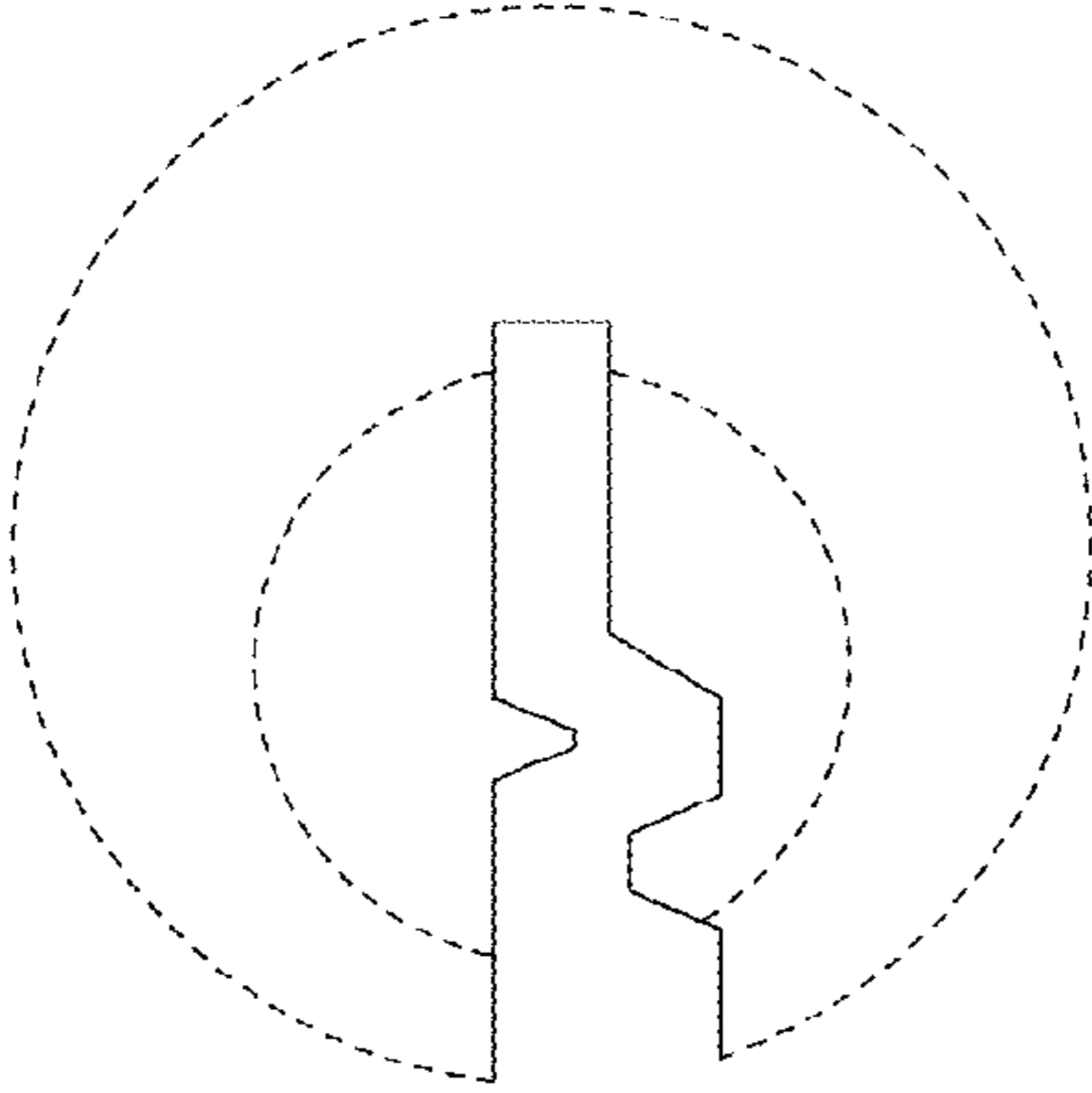


FIG. 3

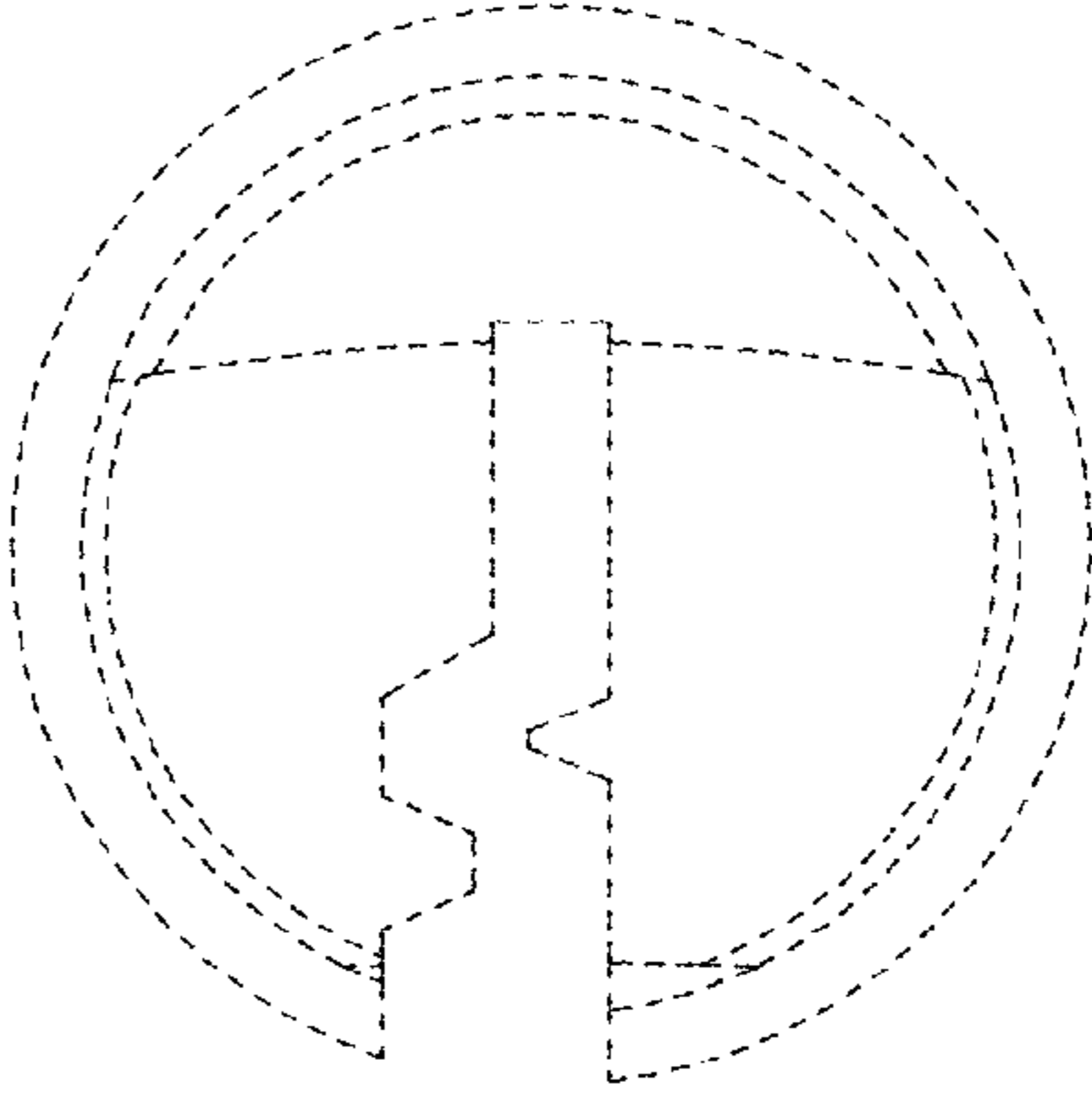


FIG. 4

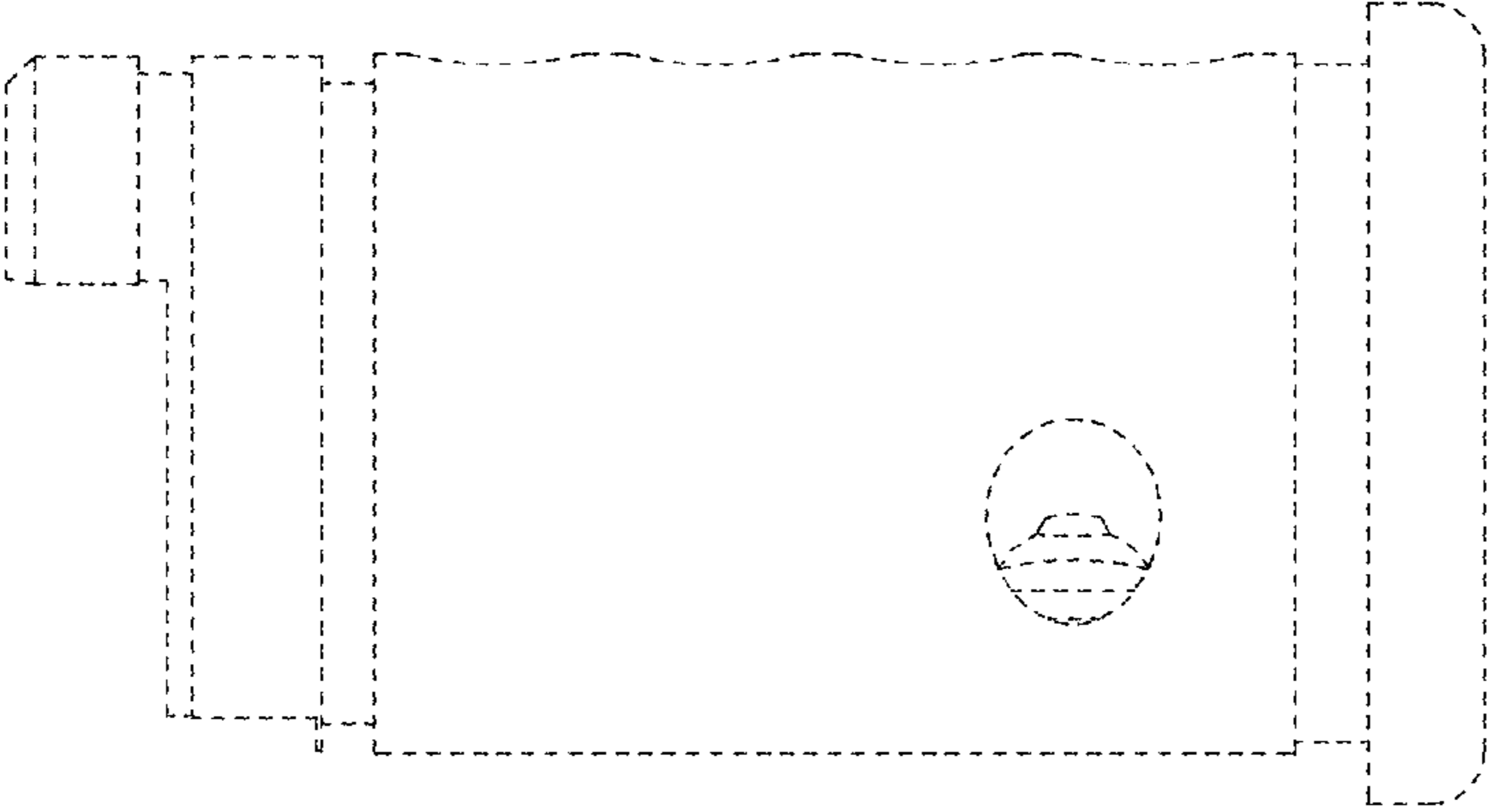


FIG. 5

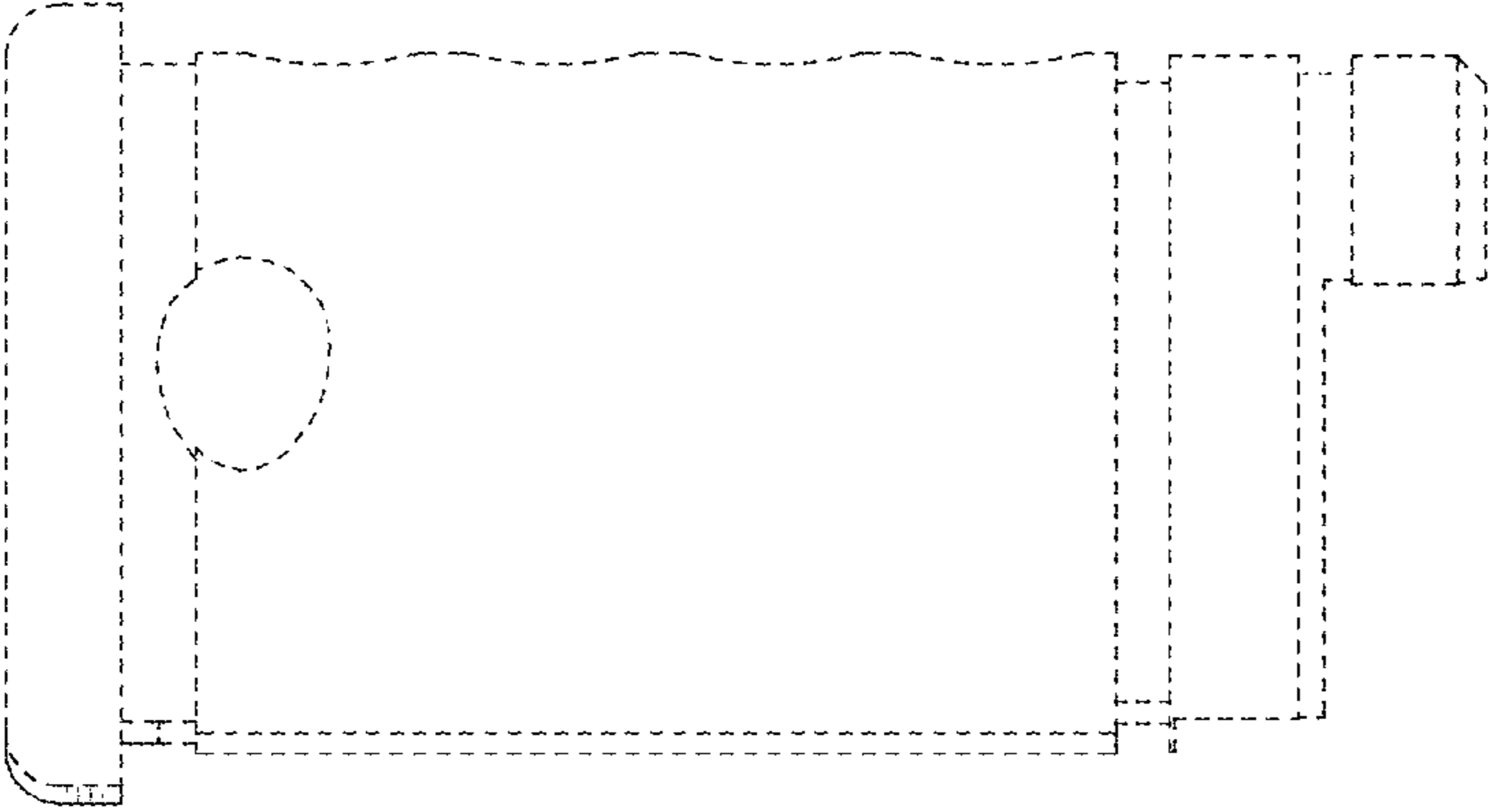


FIG. 6

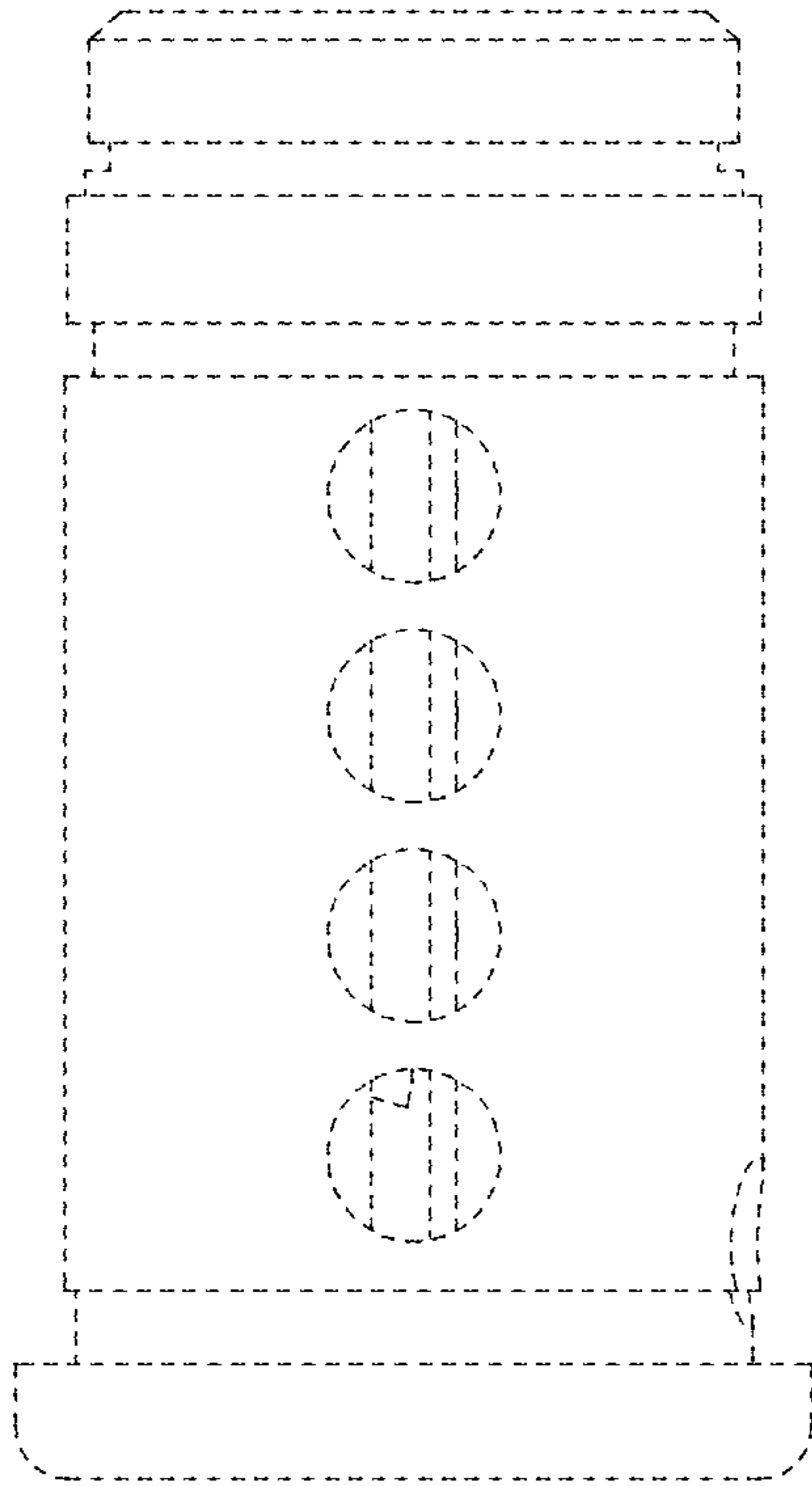


FIG. 7

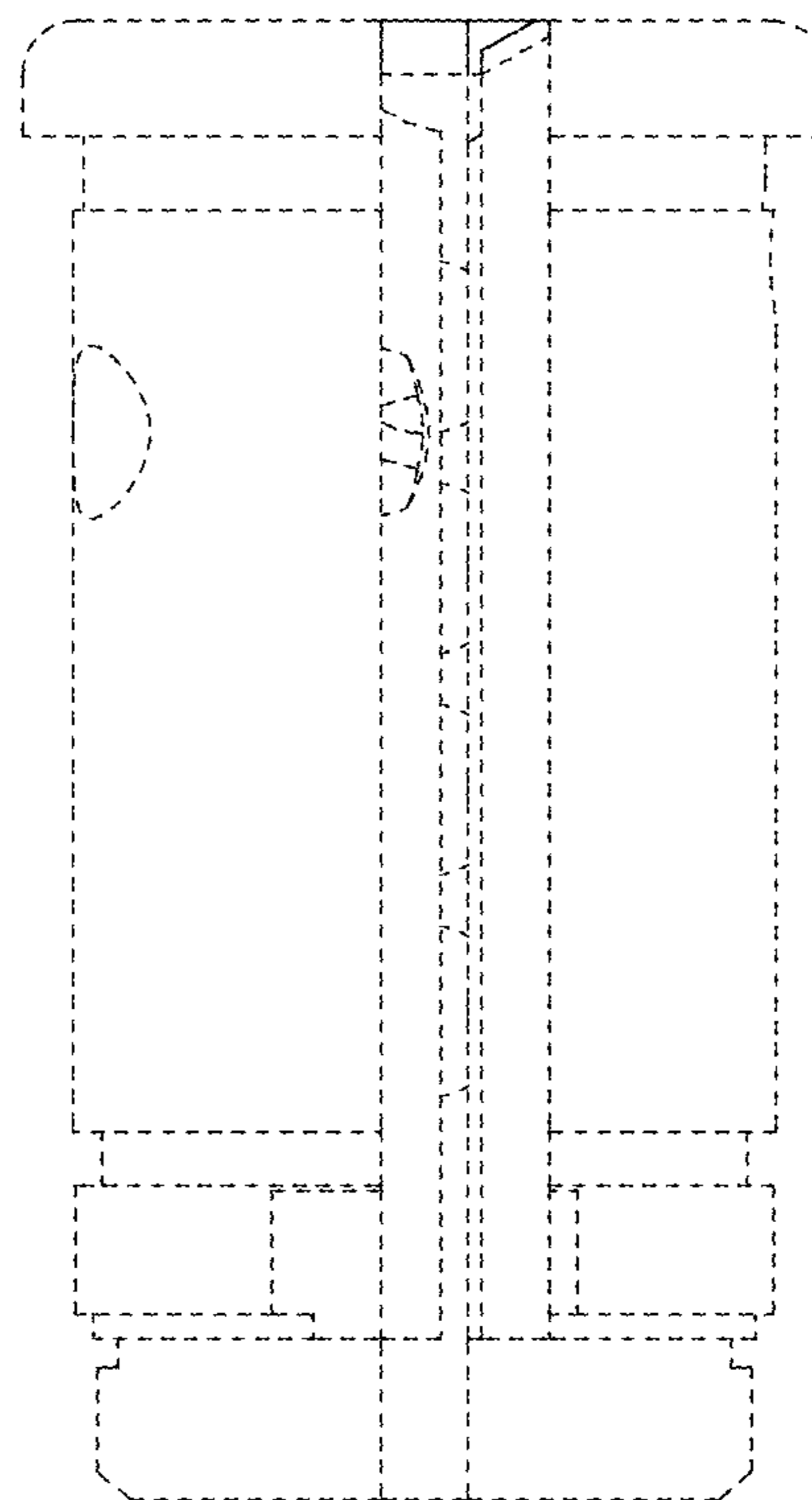


FIG. 8