



US00D706112S

(12) **United States Design Patent**
Kondratuk

(10) **Patent No.:** **US D706,112 S**
(45) **Date of Patent:** **** Jun. 3, 2014**

(54) **SHAPED SPINDLE OF A DOOR HANDLE FOR OPERATING A DOOR LOCK BOX**

(71) Applicant: **Larson Manufacturing Company of South Dakota, Inc.**, Brookings, SD (US)

(72) Inventor: **Michael Kondratuk**, Brookings, SD (US)

(73) Assignee: **Larson Manufacturing Company of South Dakota, Inc.**, Brookings, SD (US)

(**) Term: **14 Years**

(21) Appl. No.: **29/432,653**

(22) Filed: **Sep. 18, 2012**

(51) **LOC (10) Cl.** **08-07**

(52) **U.S. Cl.**
USPC **D8/343**

(58) **Field of Classification Search**
USPC D8/330, 343, 349, 354, 339, 400, 404, D8/383, 499, DIG. 2; 70/51, 141, 212, 224, 70/229, 33 R, 431, 452, 320, 329, 181, 70/DIG. 3, DIG. 4, DIG. 31; 292/336.5
See application file for complete search history.

(56) **References Cited**

U.S. PATENT DOCUMENTS

2,520,669	A *	8/1950	Wicks	292/336.5
3,954,292	A *	5/1976	Johnson	292/169.17
4,798,352	A *	1/1989	Naso et al.	242/587.3

5,445,423	A *	8/1995	Mader	292/336.3
5,529,354	A *	6/1996	Studt et al.	292/336.3
5,562,317	A *	10/1996	Kuo et al.	292/359
5,620,211	A *	4/1997	Ellis	292/1.5
5,658,026	A *	8/1997	Nigro et al.	292/336.3
6,039,452	A *	3/2000	Imura	362/607
D429,612	S *	8/2000	Hames	D8/38
6,302,453	B1 *	10/2001	Norton	292/169.21
D464,249	S *	10/2002	Laabs et al.	D8/343
6,997,024	B2 *	2/2006	Etlicher	70/210
7,172,226	B2 *	2/2007	Walls et al.	292/358
7,604,266	B2 *	10/2009	Ellis	292/336.3
8,424,935	B2 *	4/2013	Moon	292/244

* cited by examiner

Primary Examiner — Prabhakar Deshmukh

(74) *Attorney, Agent, or Firm* — Kagan Binder, PLLC

(57) **CLAIM**

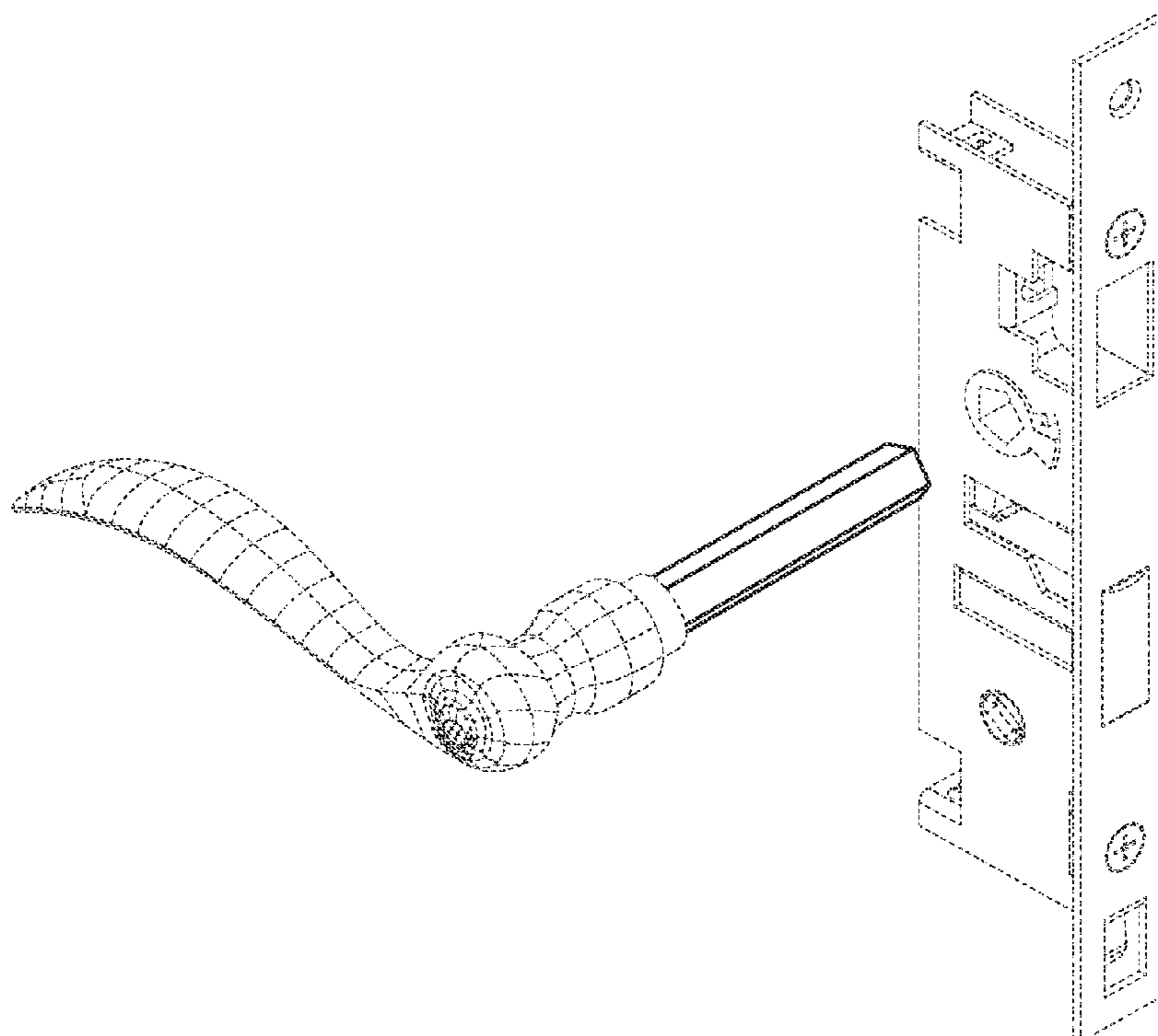
The ornamental design for a shaped spindle of a door handle for operating a door lock box, as shown and described.

DESCRIPTION

FIG. 1 is a perspective view of a shaped spindle of a door handle for operating a door lock box showing my new design; FIG. 2 is a left side elevation view thereof; FIG. 3 is a right side elevation view thereof; FIG. 4 is a rear elevation view thereof; and, FIG. 5 is a top plan view thereof.

The broken lines illustrate the unclaimed portions of the design and form no part of a claimed design. The spindle in FIGS. 2-5 and the lock box in FIG. 1 are shown separately for clarity of illustration.

1 Claim, 3 Drawing Sheets



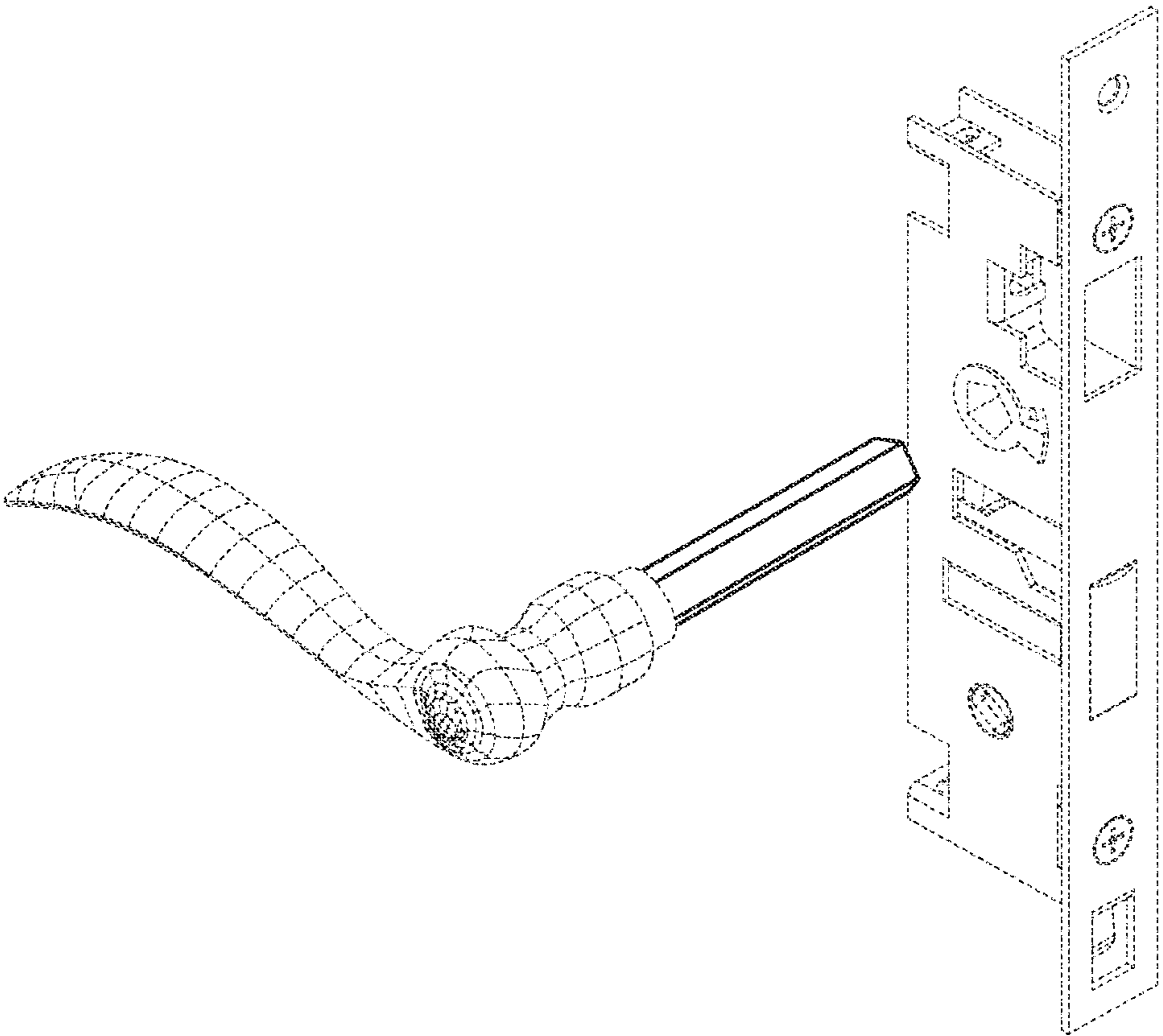


Fig. 1

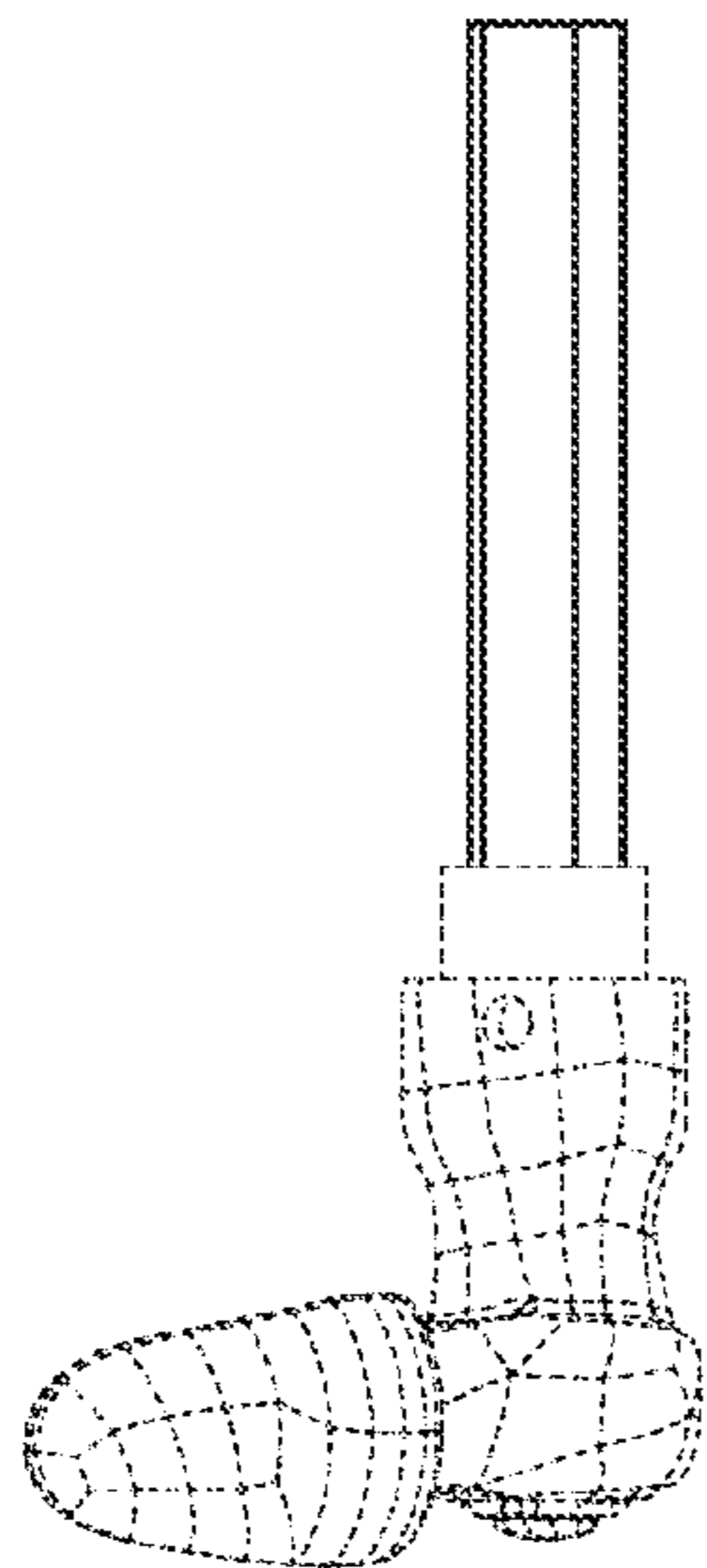


Fig. 2

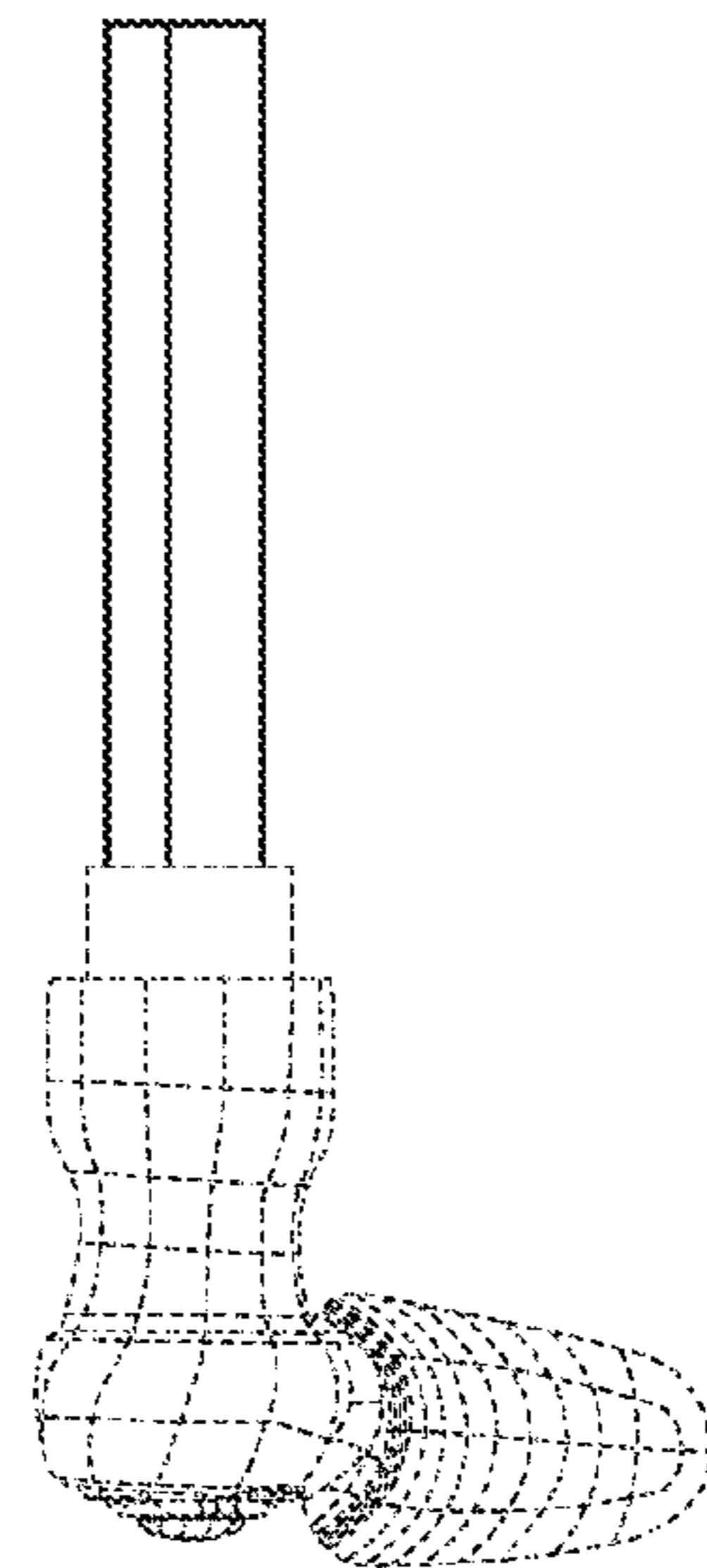


Fig. 3

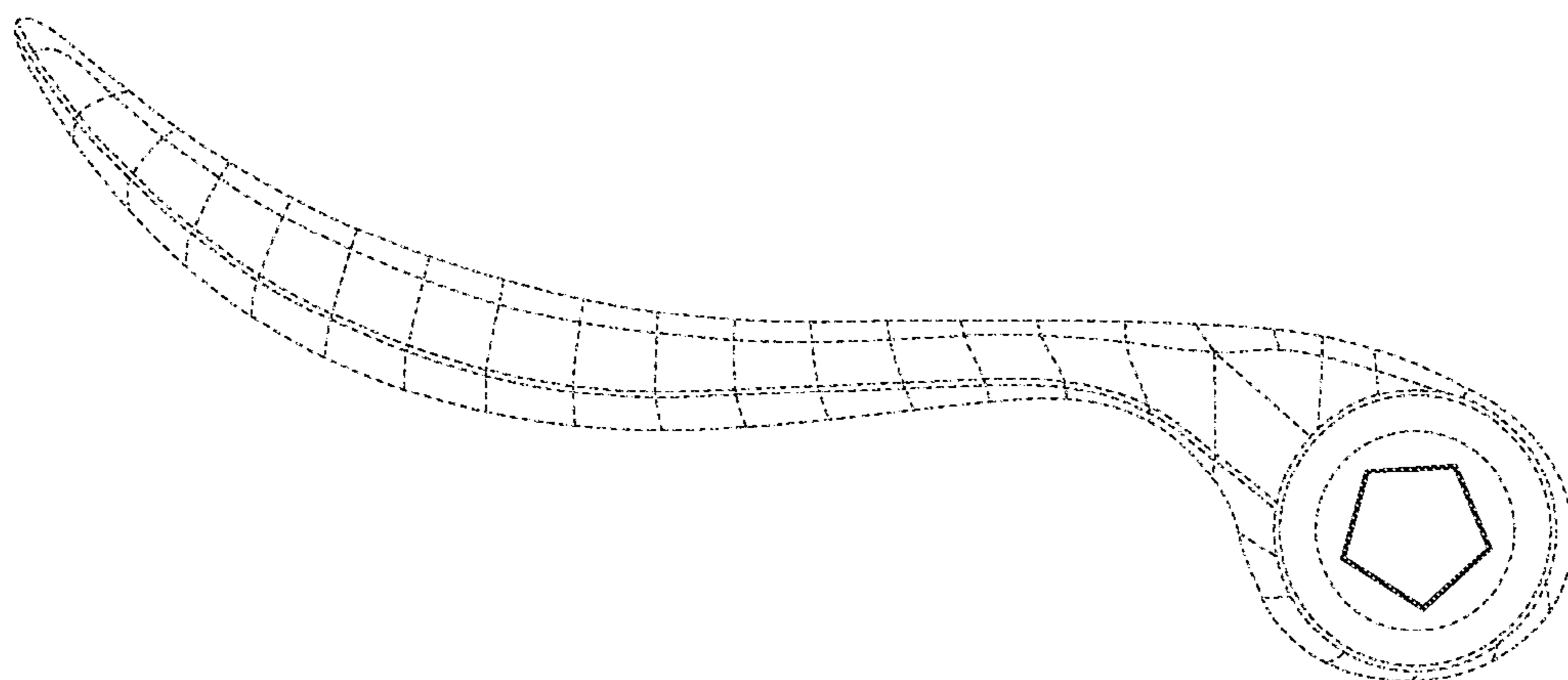


Fig. 4

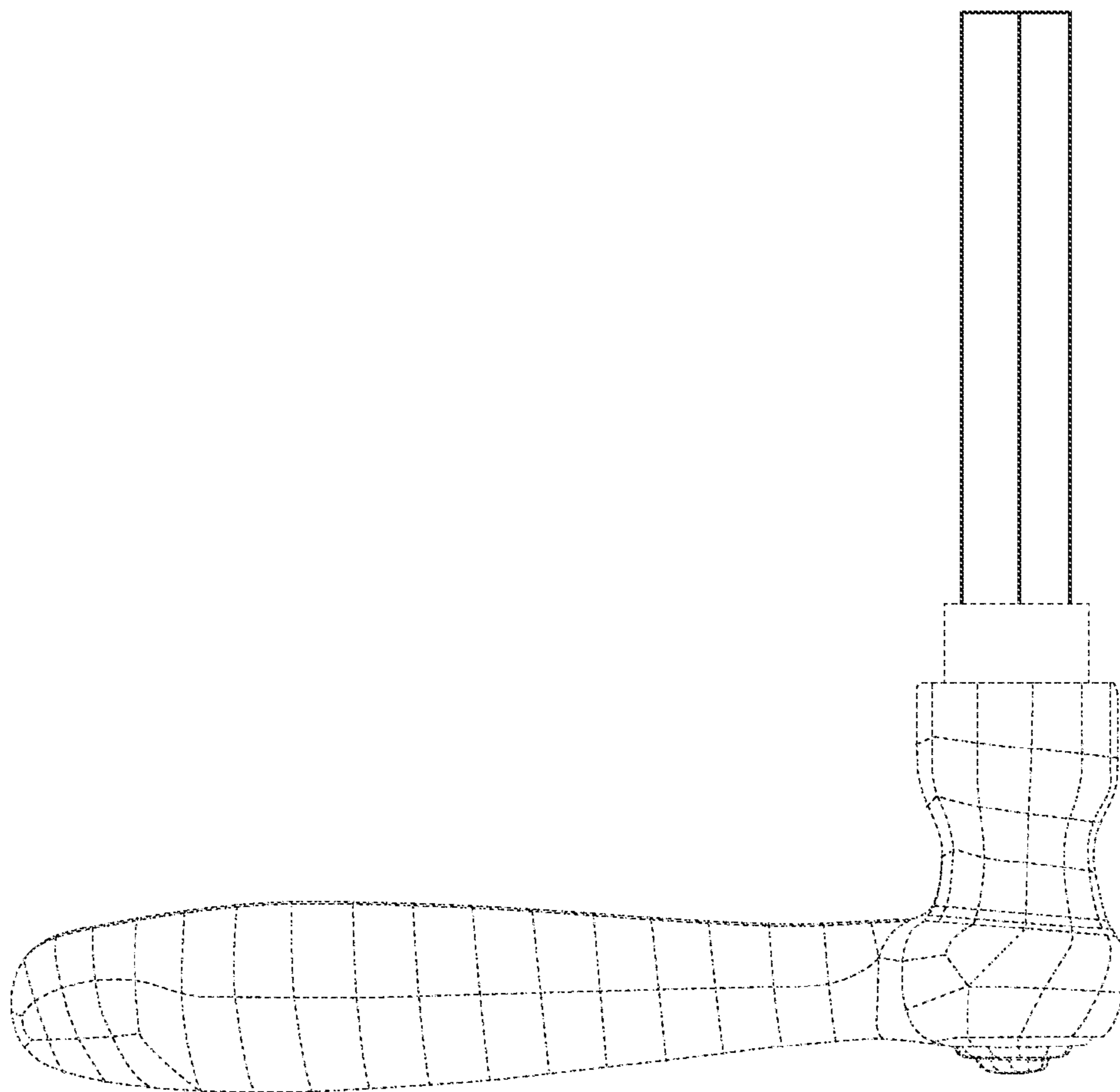


Fig. 5