



US00D706111S

(12) **United States Design Patent**  
**Williams**

(10) **Patent No.:** **US D706,111 S**  
(45) **Date of Patent:** **\*\* Jun. 3, 2014**

- (54) **LATCH HANDLE**
- (71) Applicant: **David A. Williams**, Milton, FL (US)
- (72) Inventor: **David A. Williams**, Milton, FL (US)
- (73) Assignee: **Daws Manufacturing Company, Inc.**, Pensacola, FL (US)
- (\*\*) Term: **14 Years**
- (21) Appl. No.: **29/447,488**
- (22) Filed: **Mar. 4, 2013**
- (51) **LOC (10) Cl.** ..... **08-07**
- (52) **U.S. Cl.**  
USPC ..... **D8/331**
- (58) **Field of Classification Search**  
USPC ..... D8/330, 331, 343, 339, 349, 341;  
70/107-111, 114, 118, 141, 488, 162;  
292/2, 32, 63, 137, 174  
See application file for complete search history.

D460,678 S *	7/2002	Foster	.....	D8/331
6,490,896 B2	12/2002	Segawa		
6,637,785 B2 *	10/2003	Sugimoto	.....	292/336.3
6,668,602 B2	12/2003	Graham et al.		
D489,957 S *	5/2004	Lane	.....	D8/306
6,913,297 B2	7/2005	Jackson et al.		
6,962,375 B2	11/2005	Linares		
6,973,810 B2 *	12/2005	Chen	.....	70/208
7,013,689 B2	3/2006	Graham et al.		
D524,139 S *	7/2006	Burns et al.	.....	D8/302
7,272,964 B2	9/2007	Graham et al.		
7,497,488 B2	3/2009	Chen		
D637,887 S *	5/2011	Beres et al.	.....	D8/331
D649,861 S *	12/2011	Mitchell et al.	.....	D8/331
D675,080 S *	1/2013	Tejszerski et al.	.....	D8/330

\* cited by examiner

*Primary Examiner* — Prabhakar Deshmukh  
(74) *Attorney, Agent, or Firm* — GrayRobinson, P.A.

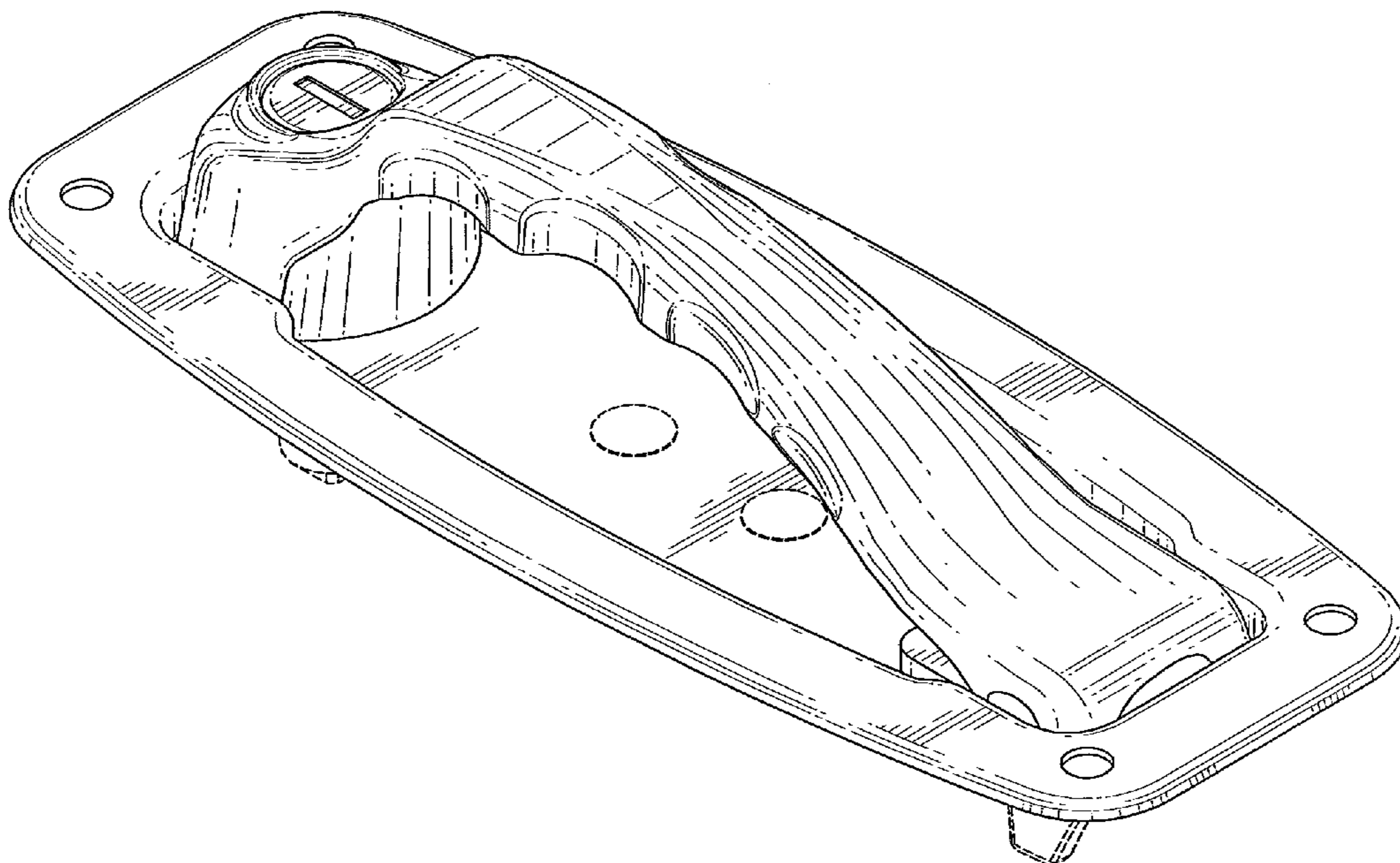
(57) **CLAIM**  
The ornamental design for a latch handle, as shown and described.

**DESCRIPTION**

FIG. 1 is a perspective view of my ornamental design for a latch handle;  
FIG. 2 is a front elevational view thereof;  
FIG. 3 is a rear elevational view thereof;  
FIG. 4 is a left end elevational view thereof;  
FIG. 5 is a right end elevational view thereof;  
FIG. 6 is a top plan view thereof; and,  
FIG. 7 is a bottom plan view thereof.  
The broken lines indicating unclaimed portions and form no part of the claimed design.

**1 Claim, 6 Drawing Sheets**

- (56) **References Cited**  
U.S. PATENT DOCUMENTS
- |                |        |                    |       |           |
|----------------|--------|--------------------|-------|-----------|
| 3,045,465 A *  | 7/1962 | Larson             | ..... | 70/153    |
| 3,745,796 A    | 7/1973 | Fleming            |       |           |
| 4,134,281 A    | 1/1979 | Pelcin             |       |           |
| 4,202,573 A *  | 5/1980 | Berkowitz et al.   | ..... | 292/223   |
| 4,268,077 A    | 5/1981 | Bohleen et al.     |       |           |
| 4,635,977 A *  | 1/1987 | Yamada             | ..... | 292/92    |
| 4,930,325 A    | 6/1990 | Ramsauer           |       |           |
| 5,201,557 A    | 4/1993 | Schlack            |       |           |
| D414,397 S *   | 9/1999 | Finkelstein et al. | ..... | D8/331    |
| 6,174,007 B1   | 1/2001 | Schlack et al.     |       |           |
| 6,406,075 B1 * | 6/2002 | Rice et al.        | ..... | 292/336.3 |



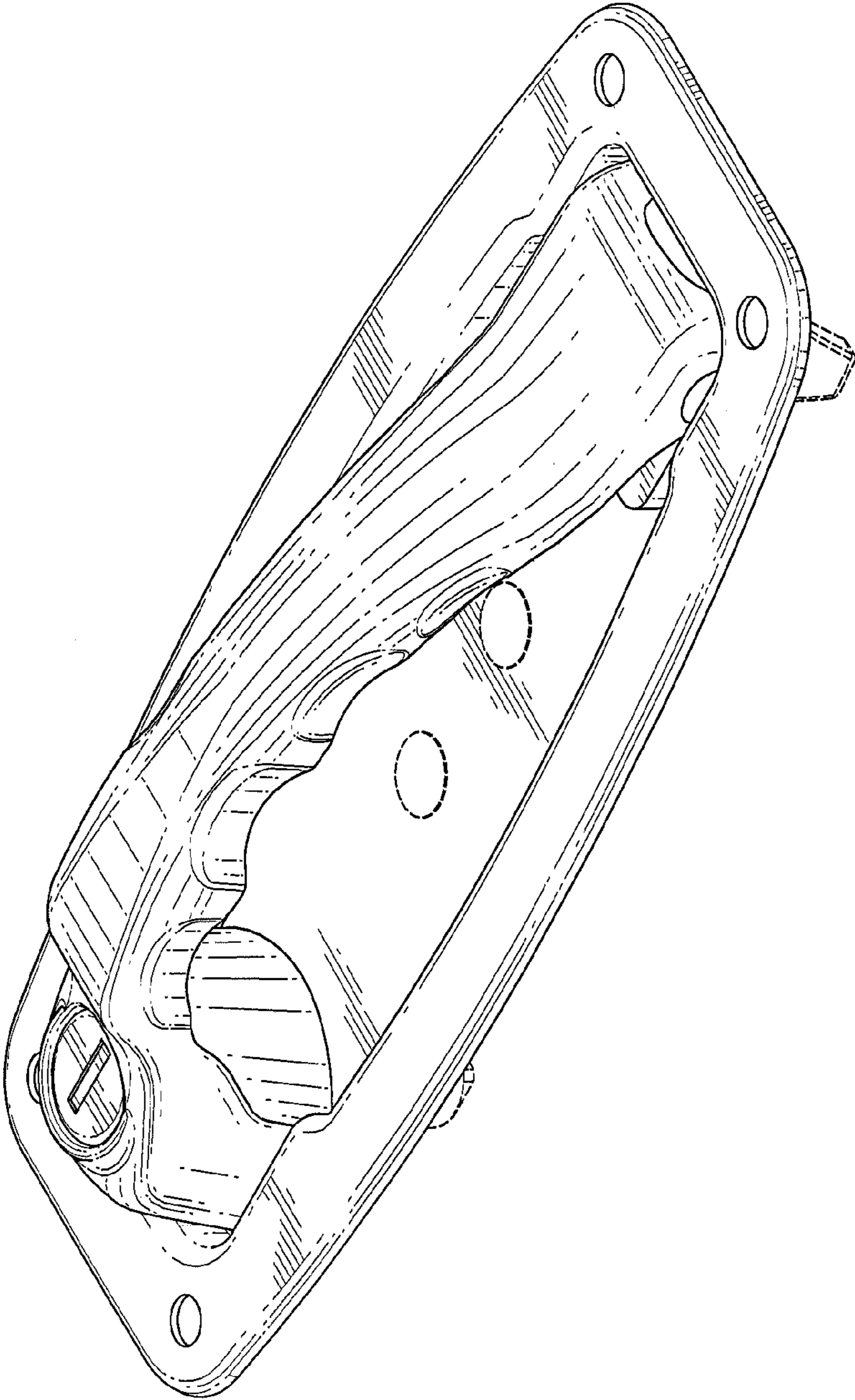


FIG. 1

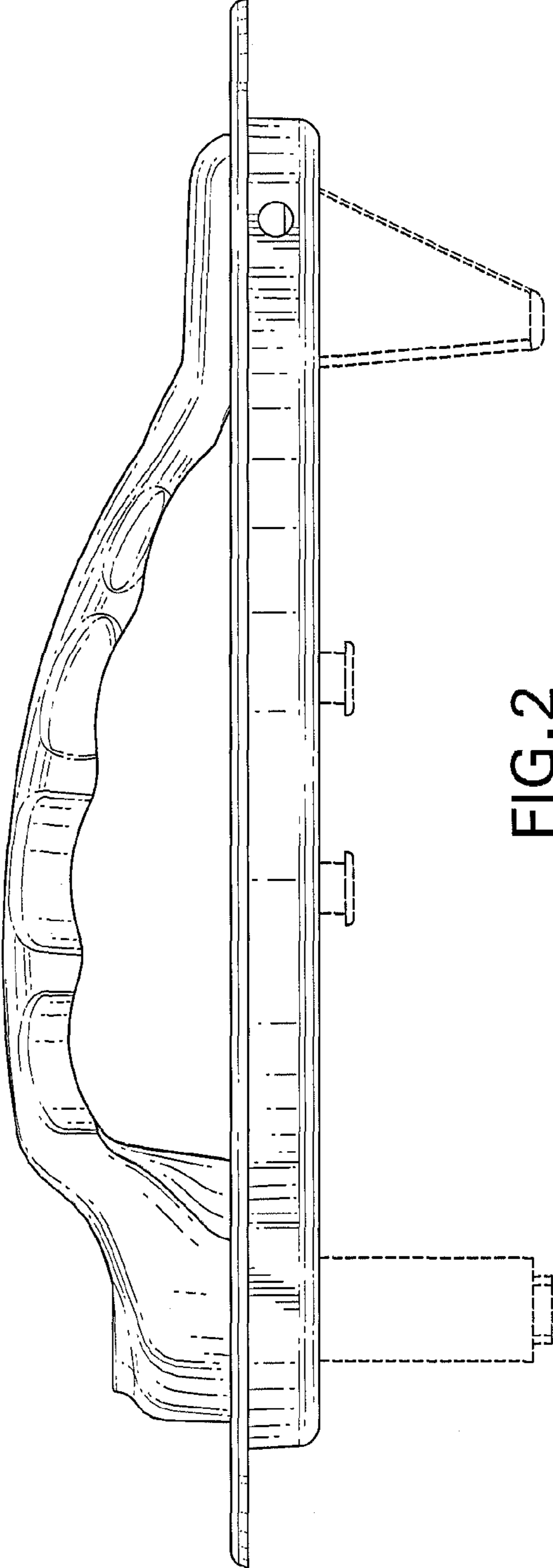


FIG. 2

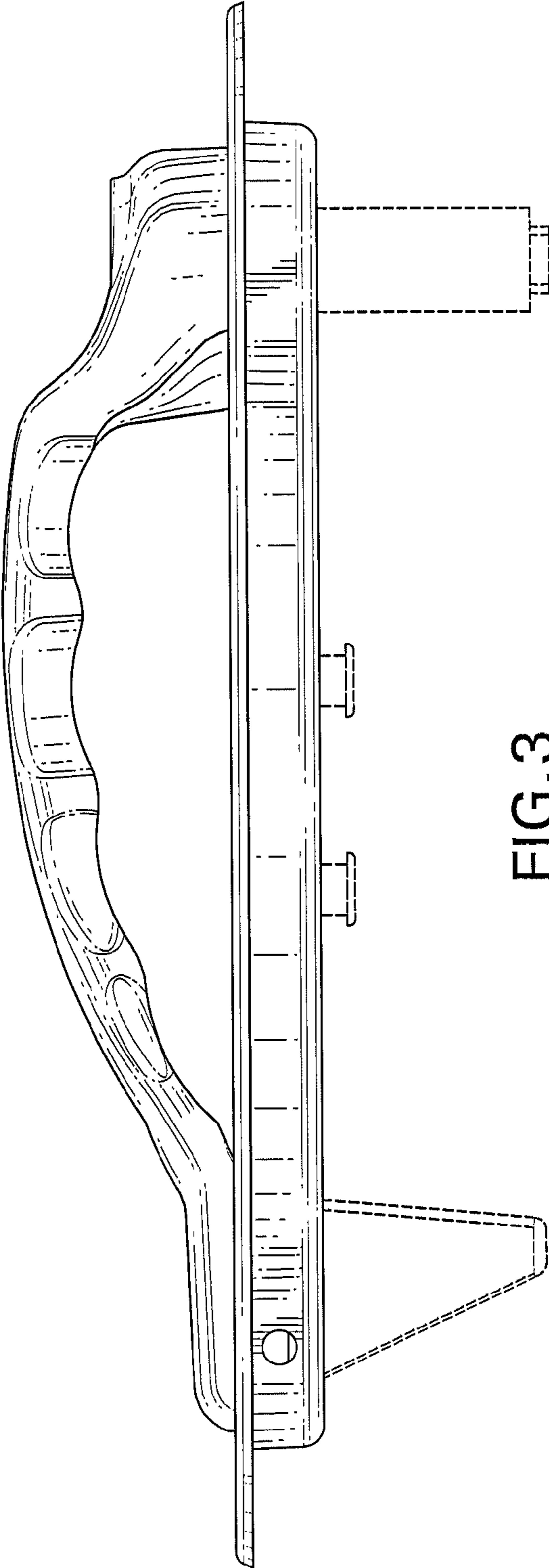


FIG. 3

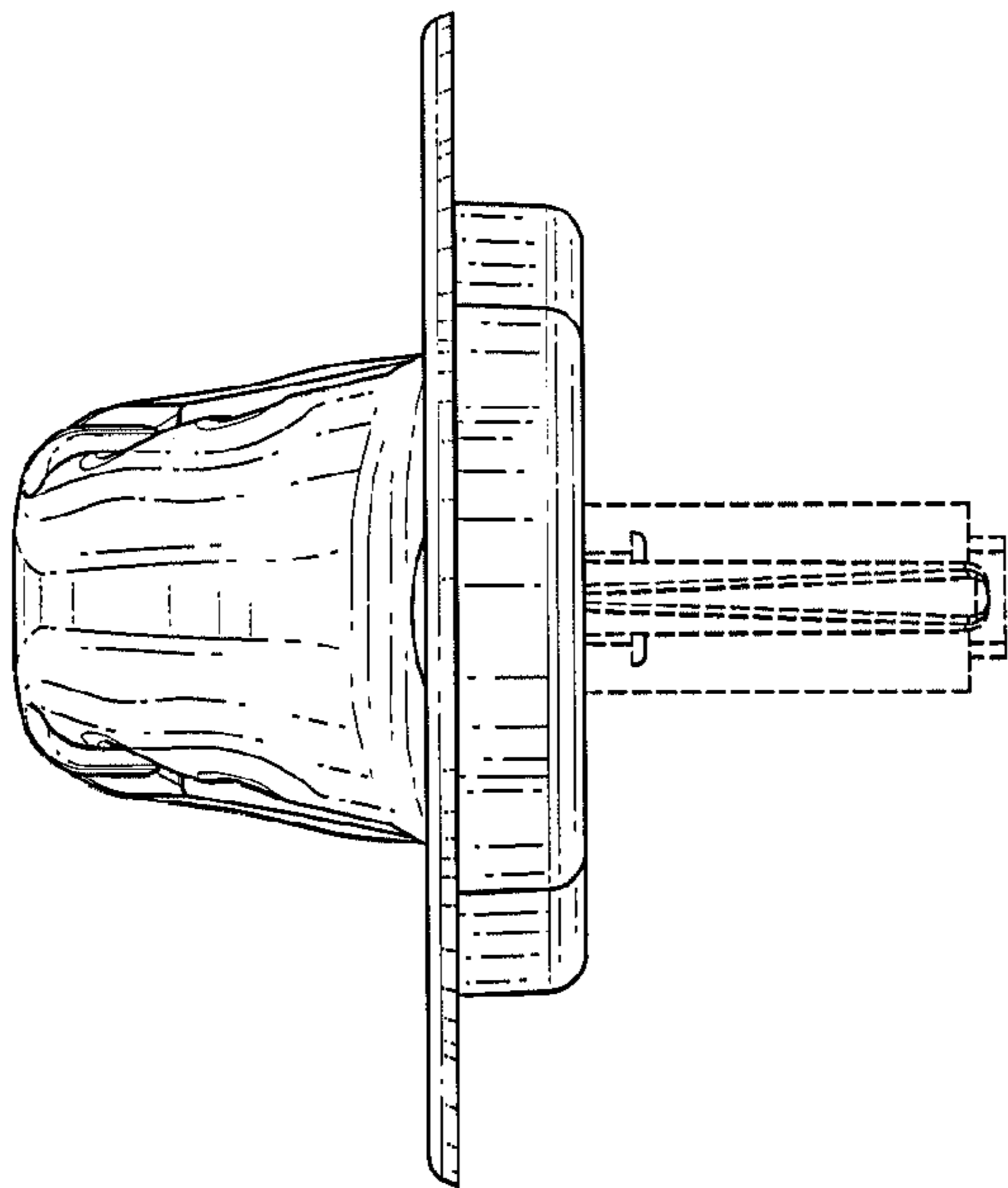


FIG. 5

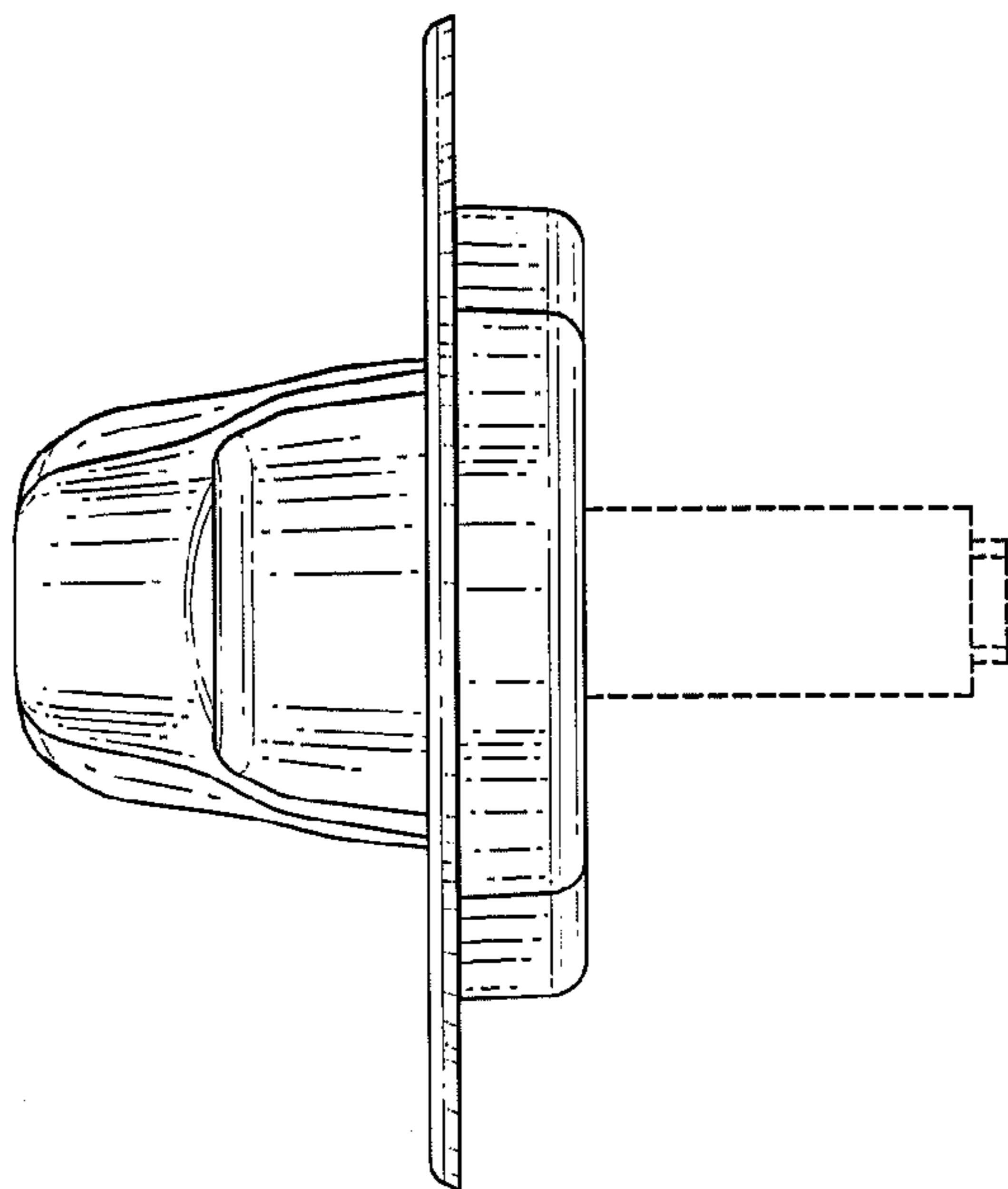


FIG. 4

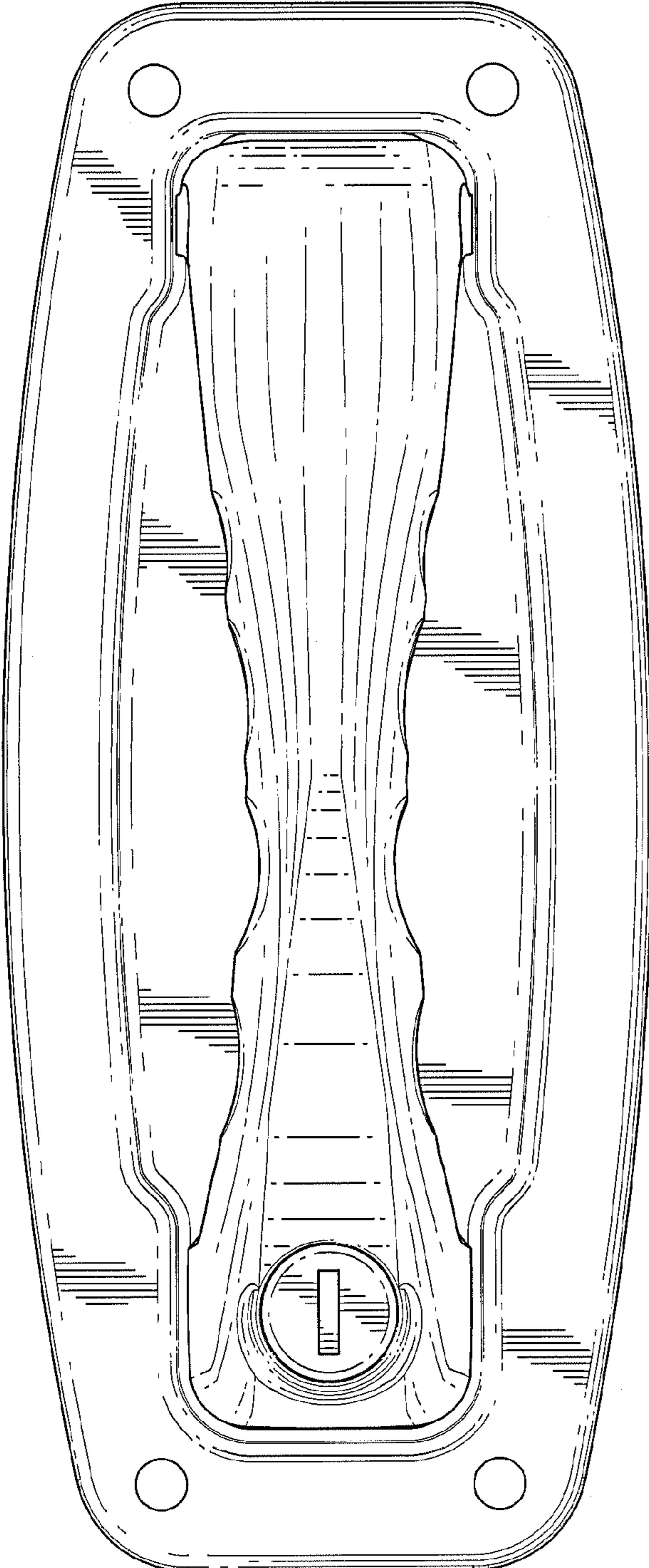


FIG. 6

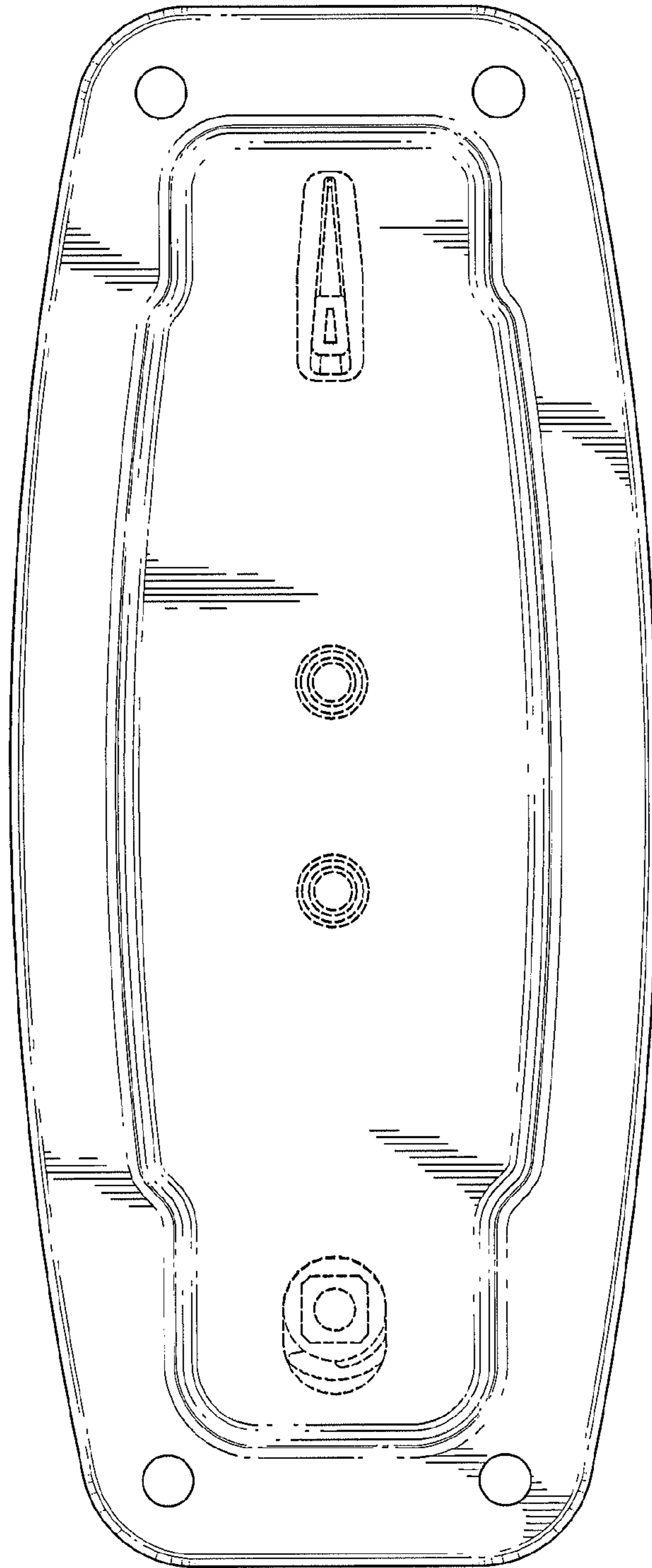


FIG. 7