

US00D706110S

(12) **United States Design Patent**
Williams

(10) **Patent No.:** **US D706,110 S**
(45) **Date of Patent:** **** Jun. 3, 2014**

- (54) **LATCH HANDLE**
- (71) Applicant: **David A. Williams**, Milton, FL (US)
- (72) Inventor: **David A. Williams**, Milton, FL (US)
- (73) Assignee: **Daws Manufacturing Company, Inc.**, Pensacola, FL (US)
- (**) Term: **14 Years**
- (21) Appl. No.: **29/447,484**
- (22) Filed: **Mar. 4, 2013**

D414,397	S *	9/1999	Finkelstein et al.	D8/331
6,174,007	B1	1/2001	Schlack et al.		
6,406,075	B1 *	6/2002	Rice et al.	292/336.3
D460,678	S *	7/2002	Foster	D8/331
6,490,896	B2	12/2002	Segawa		
6,637,785	B2 *	10/2003	Sugimoto	292/336.3
6,668,602	B2	12/2003	Graham et al.		
D489,957	S *	5/2004	Lane	D8/306
6,913,297	B2	7/2005	Jackson et al.		
6,962,375	B2	11/2005	Linares		
6,973,810	B2 *	12/2005	Chen	70/208
7,013,689	B2	3/2006	Graham et al.		
D524,139	S *	7/2006	Burns et al.	D8/302
7,272,964	B2	9/2007	Graham et al.		
7,497,488	B2	3/2009	Chen		
D637,887	S *	5/2011	Beres et al.	D8/331
D649,861	S *	12/2011	Mitchell et al.	D8/331
D675,080	S *	1/2013	Tejszerski et al.	D8/330

Related U.S. Application Data

- (63) Continuation-in-part of application No. 13/276,727, filed on Oct. 19, 2011.
- (51) **LOC (10) Cl.** **08-07**
- (52) **U.S. Cl.**
USPC **D8/331**
- (58) **Field of Classification Search**
USPC D8/330, 331, 343, 339, 349, 341;
70/107-111, 114, 118, 141, 488, 162;
292/2, 32, 63, 137, 174
See application file for complete search history.

* cited by examiner

Primary Examiner — Prabhakar Deshmukh
(74) *Attorney, Agent, or Firm* — GrayRobinson, P.A.

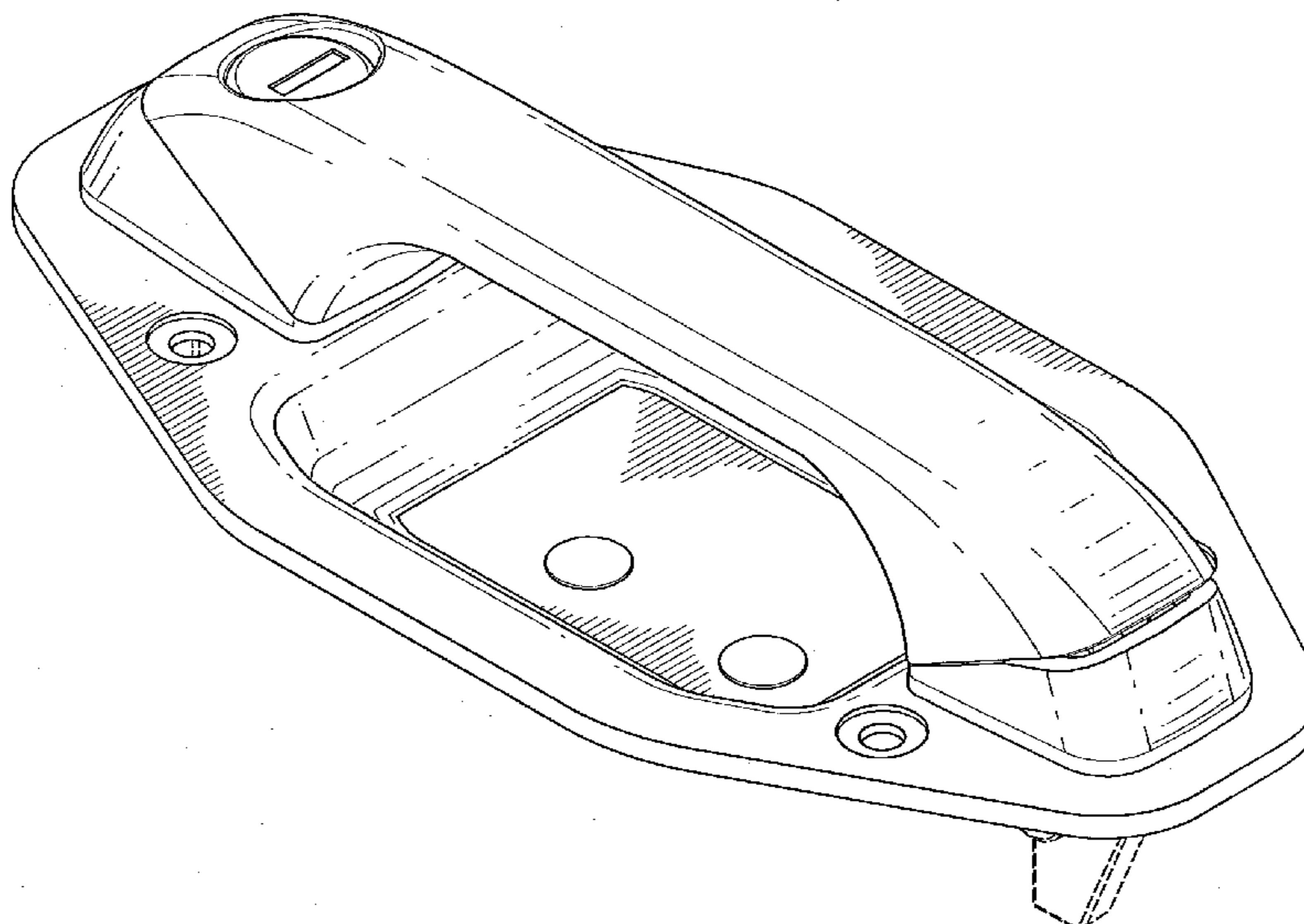
(57) **CLAIM**
The ornamental design for a latch handle, as shown and described.

DESCRIPTION

FIG. 1 is a perspective view of my ornamental design for a latch handle;
FIG. 2 is a front elevational view thereof;
FIG. 3 is a rear elevational view thereof;
FIG. 4 is a left end elevational view thereof;
FIG. 5 is a right end elevational view thereof;
FIG. 6 is a top plan view thereof; and,
FIG. 7 is a bottom plan view thereof.
The broken lines indicating unclaimed portions and form no part of the claimed design.

- (56) **References Cited**
U.S. PATENT DOCUMENTS
3,045,465 A * 7/1962 Larson 70/153
3,745,796 A 7/1973 Fleming
4,134,281 A 1/1979 Pelcin
4,202,573 A * 5/1980 Berkowitz et al. 292/223
4,268,077 A 5/1981 Bohleen et al.
4,635,977 A * 1/1987 Yamada 292/92
4,930,325 A 6/1990 Ramsauer
5,201,557 A 4/1993 Schlack

1 Claim, 6 Drawing Sheets



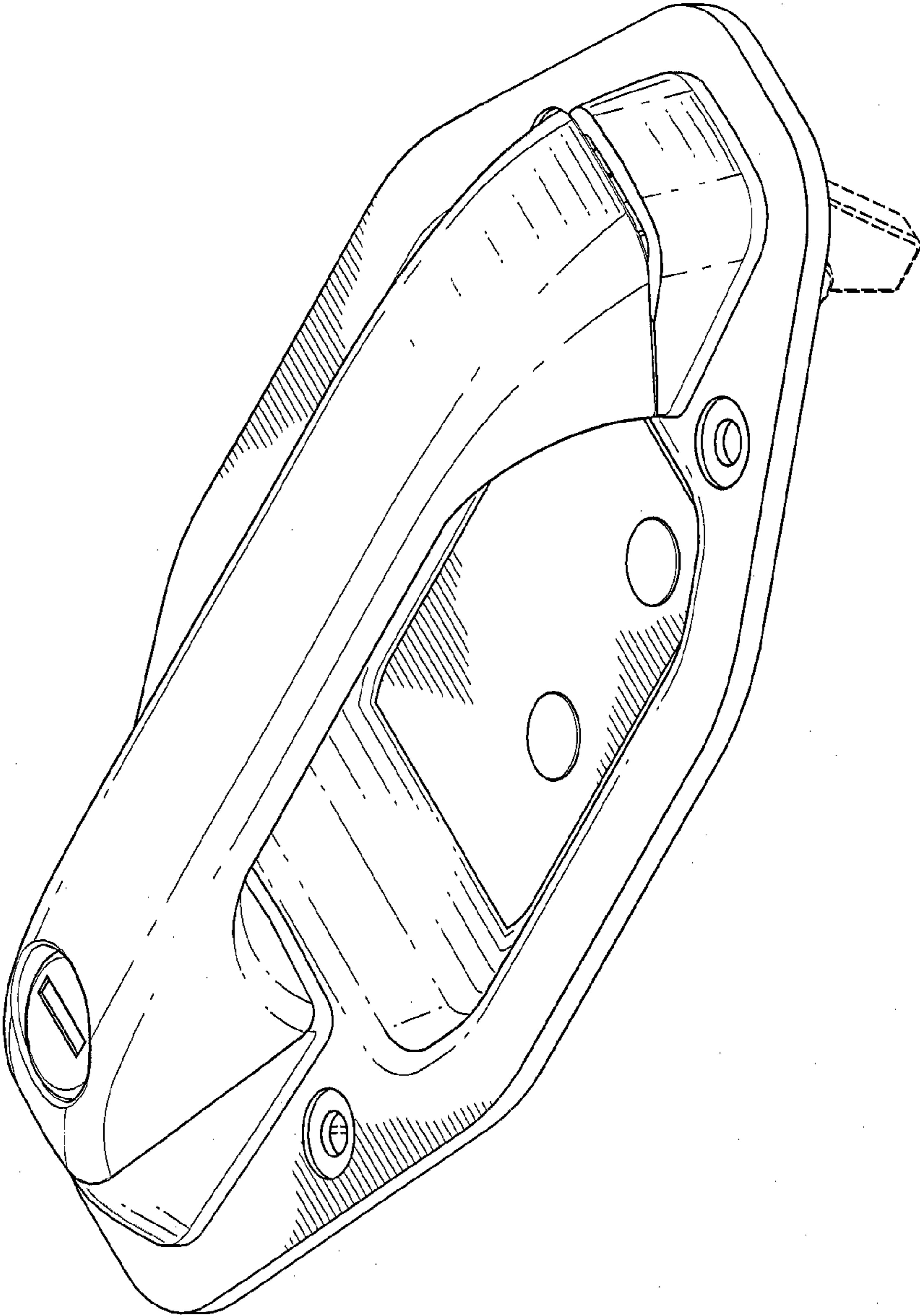


FIG. 1

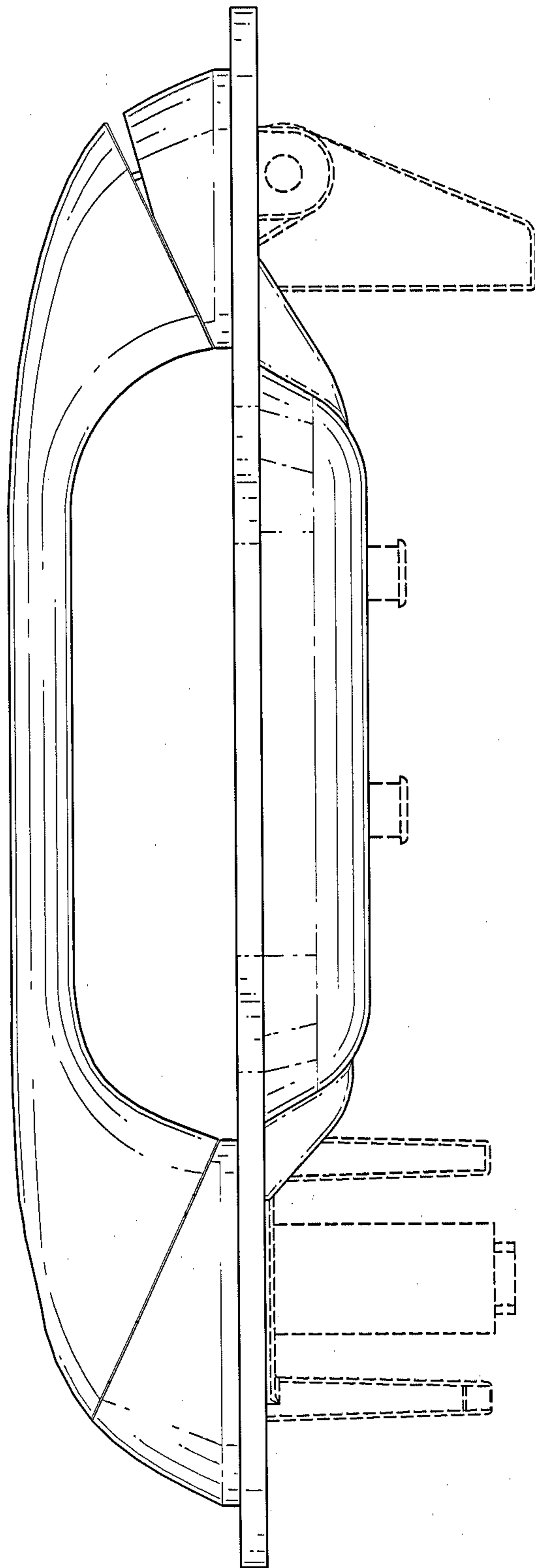


FIG. 2

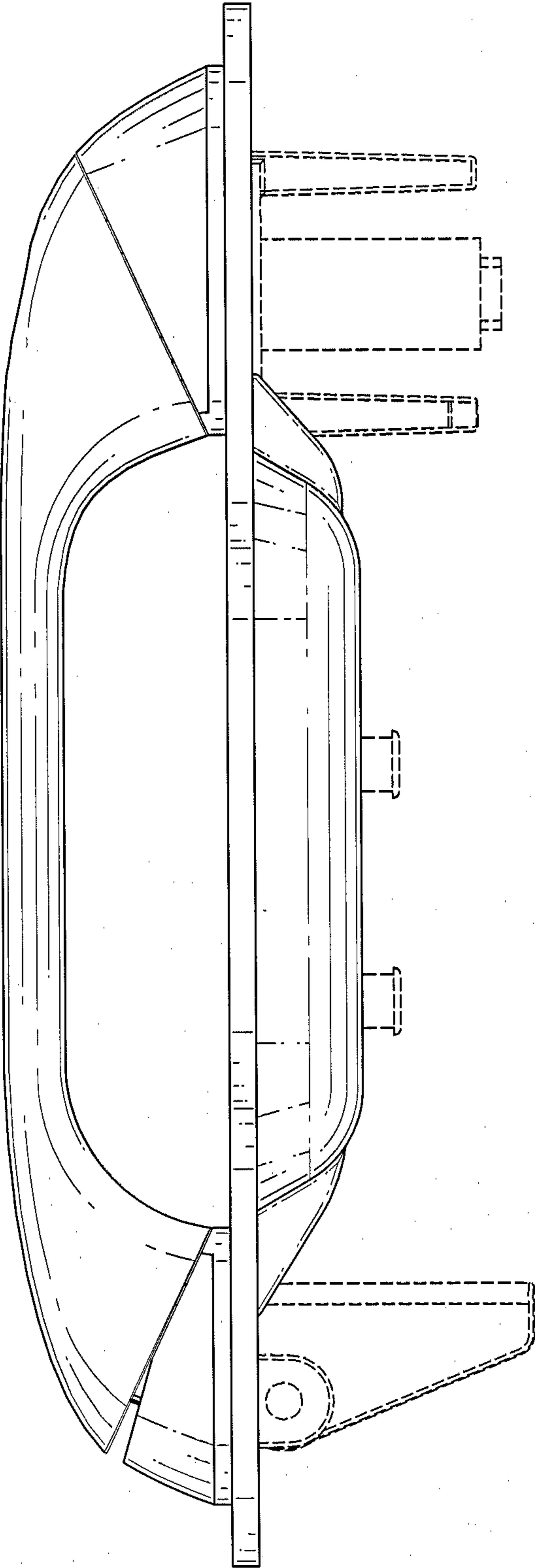


FIG.3

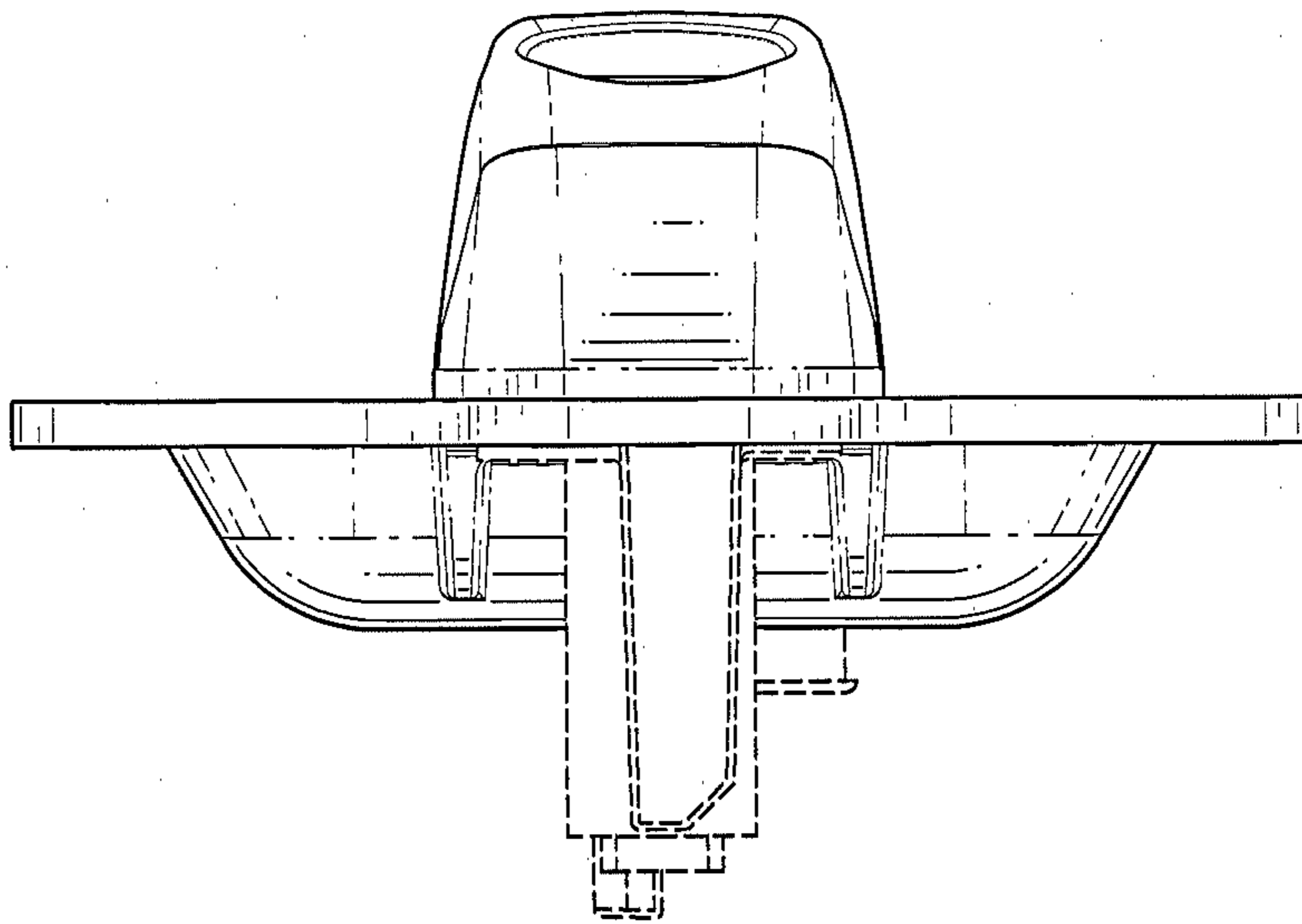


FIG. 4

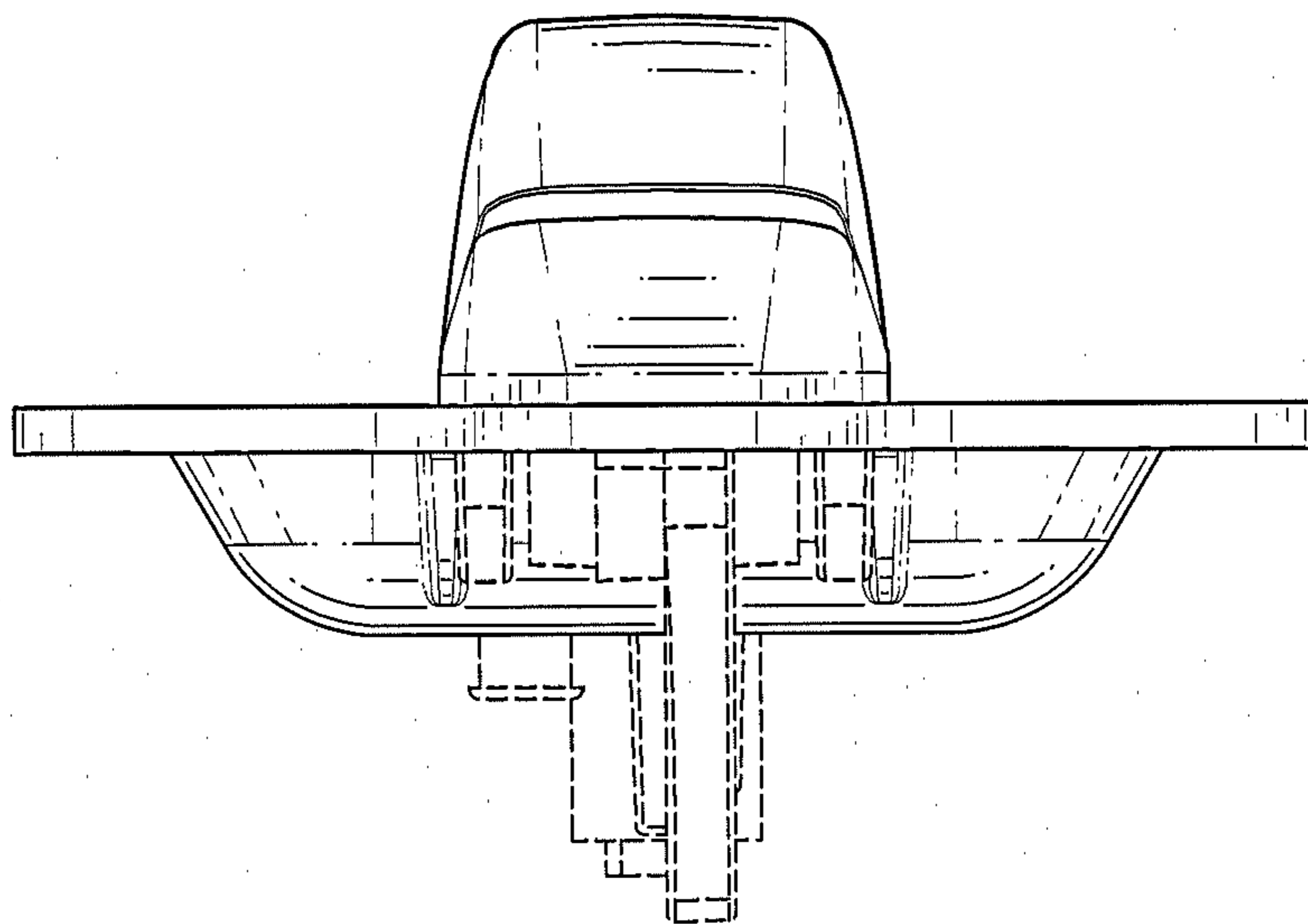


FIG. 5

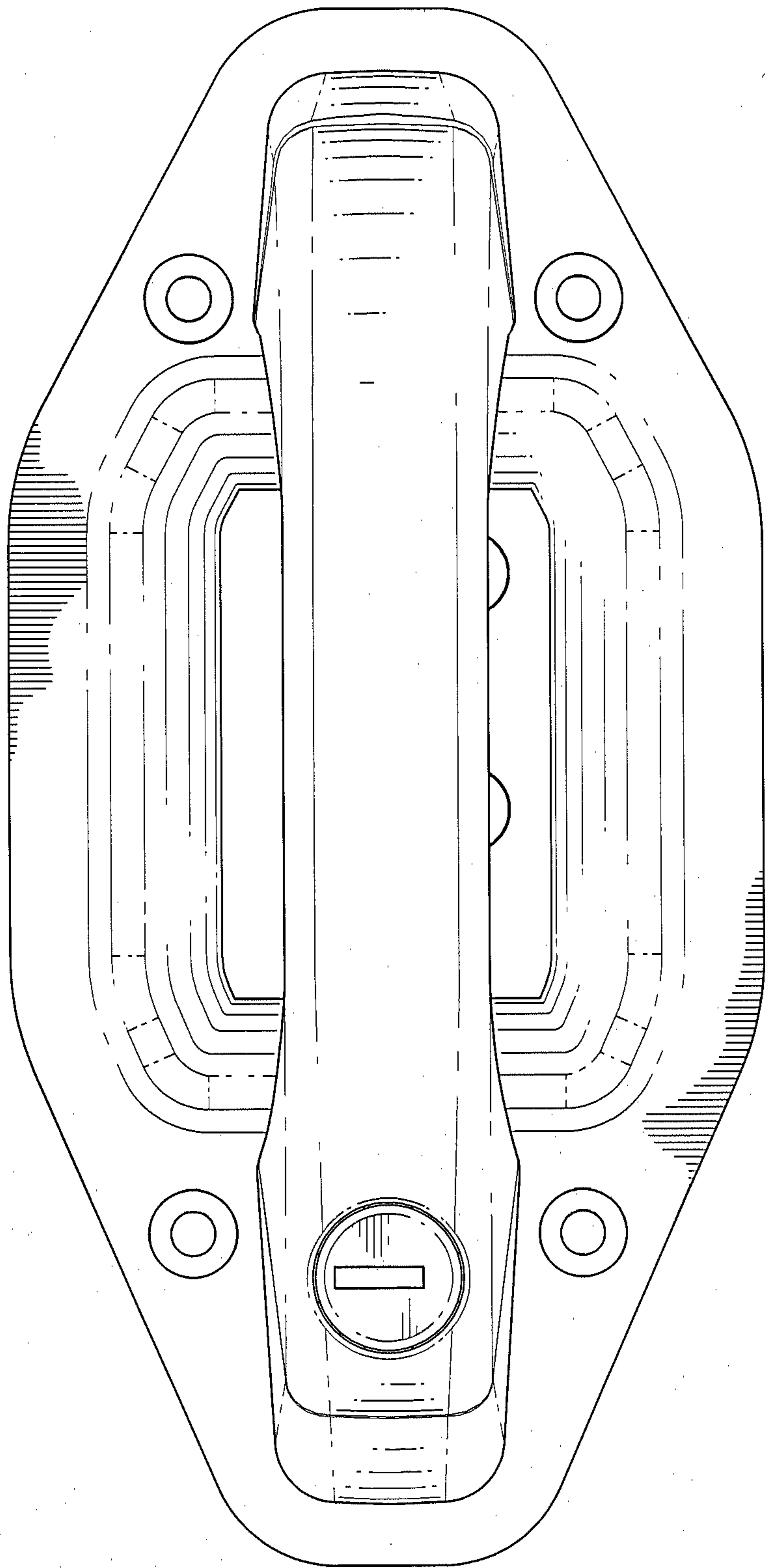


FIG. 6

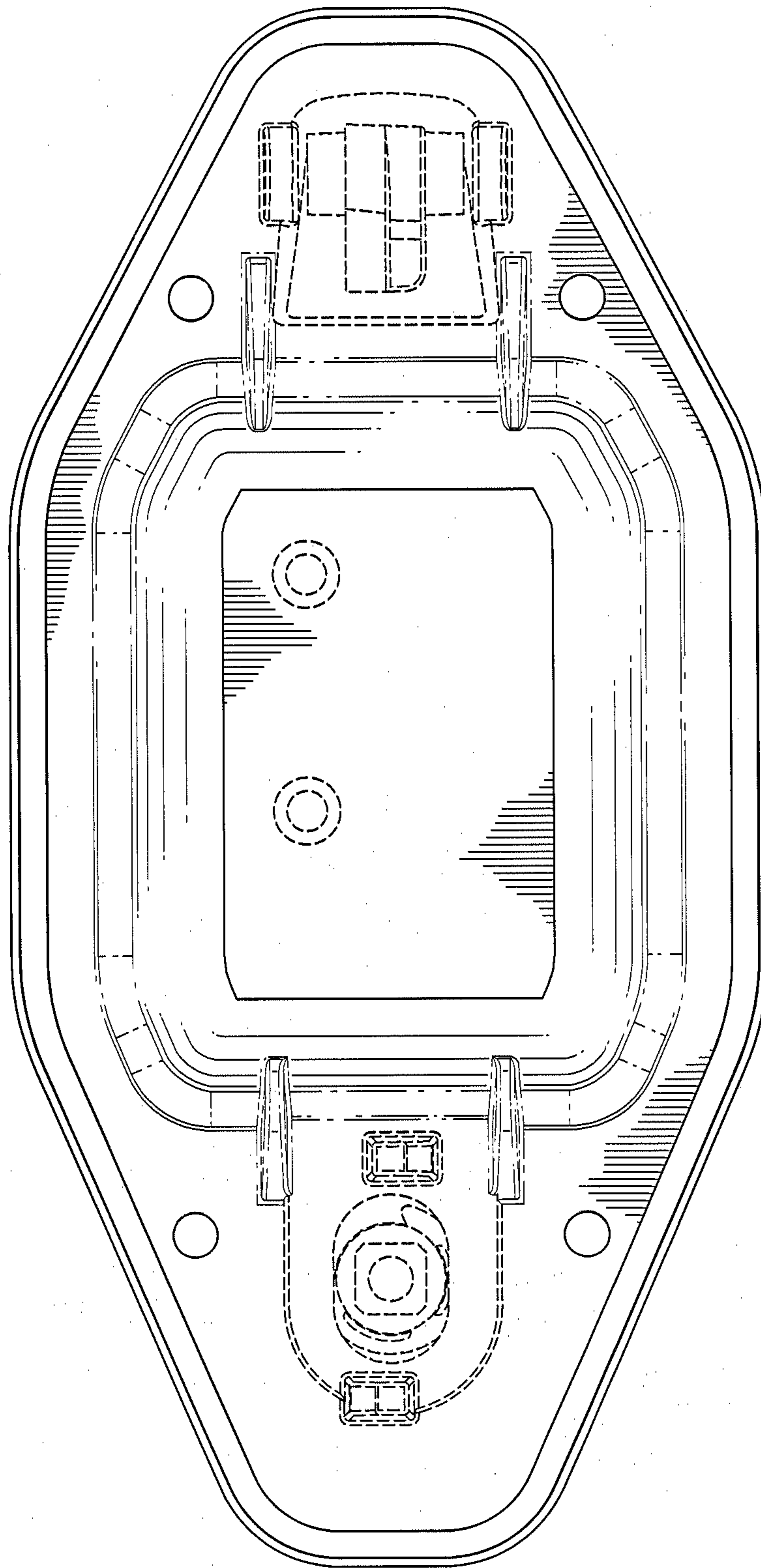


FIG. 7