



US00D706107S

(12) **United States Design Patent**
Pelton

(10) **Patent No.:** **US D706,107 S**
(45) **Date of Patent:** **** Jun. 3, 2014**

(54) **KNIFE**

FOREIGN PATENT DOCUMENTS

(75) Inventor: **Robert Young Pelton**, Bonsall, CA (US)

DE 10130178 1/2003
DE 202009001850 12/2009

(73) Assignee: **DPX Ventures Limited**, Ras Al Khaimah (AE)

OTHER PUBLICATIONS

(**) Term: **14 Years**

CRKT Columbia River Knife And Tool's Exitool 9030 Multi Tool, retrieved from <http://www.amazon.com/Columbia-River-Knife-Exitool-9030/dp/B0030IV8TG> on Jul. 14, 2012, 6 pages.

(21) Appl. No.: **29/428,914**

(Continued)

(22) Filed: **Aug. 4, 2012**

Primary Examiner — Philip S Hyder

(51) **LOC (10) Cl.** **08-03**

Assistant Examiner — Roselynn Cody

(52) **U.S. Cl.**

(74) *Attorney, Agent, or Firm* — ARC IP Law, PC; Joseph J. Mayo

USPC **D8/99**

(58) **Field of Classification Search**

(57) **CLAIM**

USPC D8/7, 12, 19, 20, 95, 97-100, 105, 107;
D22/118; D7/649, 650, 652; 7/118;
30/155, 158-161, 346, 351-352,
30/355-357

The ornamental design for a knife, as shown and described.

See application file for complete search history.

DESCRIPTION

(56) **References Cited**

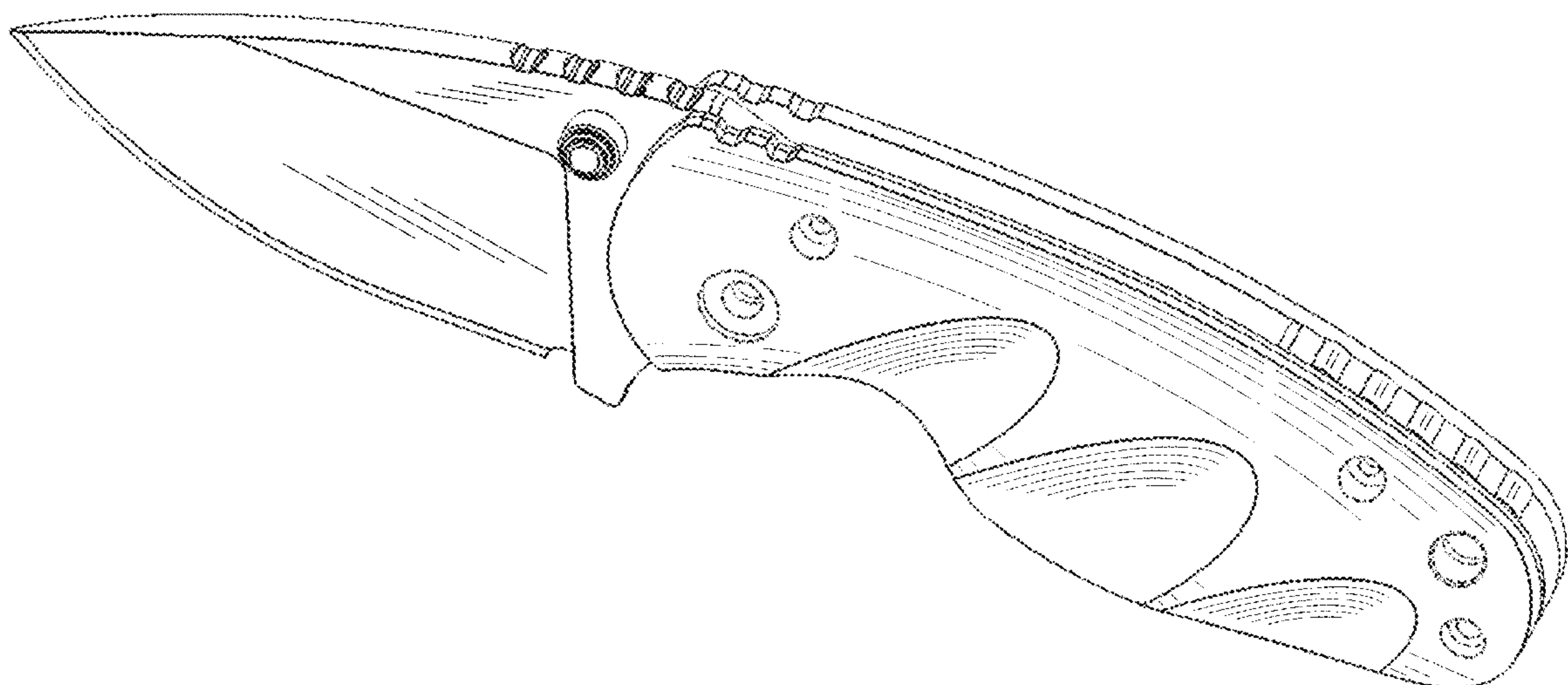
U.S. PATENT DOCUMENTS

1,455,621	A	5/1923	Joyner	
2,315,898	A *	4/1943	Krilow	30/351
D141,321	S	5/1945	Gallagher	
2,440,485	A	4/1948	Ranseen	
D169,490	S	5/1953	Hug	
D169,797	S	6/1953	Wallace	
2,951,482	A *	9/1960	Sullivan	606/176
D224,388	S	7/1972	Wood	
3,760,438	A	9/1973	White	
D230,696	S	3/1974	Evrell et al.	
D245,830	S	9/1977	De Gross	
4,363,147	A	12/1982	Deweese	
4,442,559	A	4/1984	Collins	
4,553,279	A	11/1985	Gassew et al.	

(Continued)

FIG. 1 is a left upper perspective view of a knife.
FIG. 2 is a right lower perspective view of the knife.
FIG. 3 is a right side view of the knife.
FIG. 4 is a left side view of the knife.
FIG. 5 is a top view of the knife.
FIG. 6 is a bottom view of the knife.
FIG. 7 is a front view of the knife.
FIG. 8 is a rear view of the knife.
FIG. 9 is a right lower perspective view of the knife in closed position.
FIG. 10 is a left upper perspective view of the knife in closed position.
FIG. 11 is a right side view of the knife in closed position; and,
FIG. 12 is a left side view of the knife in closed position.
The broken lines shown in the figures form no part of the claimed design.

1 Claim, 5 Drawing Sheets



(56)

References Cited

U.S. PATENT DOCUMENTS

4,578,864 A 4/1986 Hoffman
 4,622,707 A 11/1986 Finn
 D288,895 S 3/1987 Sarnoff et al.
 4,669,140 A 6/1987 Miceli
 4,817,221 A 4/1989 Ryan
 4,821,356 A 4/1989 Finn
 D308,009 S 5/1990 Evrell
 5,259,281 A 11/1993 Burke
 D369,287 S 4/1996 Seber et al.
 5,511,310 A 4/1996 Sessions et al.
 D371,289 S 7/1996 Huang
 D371,820 S 7/1996 Thompson
 5,596,808 A 1/1997 Lake et al.
 5,642,567 A 7/1997 Lin
 5,657,543 A 8/1997 Collins
 D383,370 S * 9/1997 Chen et al. D8/107
 D385,471 S 10/1997 Seber et al.
 5,727,319 A 3/1998 Myerchin et al.
 5,727,325 A 3/1998 Mussell
 D393,405 S 4/1998 Seber et al.
 D398,211 S 9/1998 Howard
 6,009,581 A 1/2000 Davis et al.
 6,009,582 A 1/2000 Harrison et al.
 6,009,584 A 1/2000 Padden
 D422,669 S 4/2000 Elishewitz
 D425,389 S 5/2000 Elishewitz
 6,085,620 A 7/2000 Anderson et al.
 D435,409 S 12/2000 Roberts
 D442,461 S * 5/2001 Glesser D8/99
 D446,571 S 8/2001 Frazer
 6,318,218 B1 11/2001 Anderson et al.
 D452,123 S 12/2001 Kelleghan
 6,347,875 B1 2/2002 Painsith
 D473,917 S 4/2003 Carter
 6,574,816 B2 6/2003 Yu
 D479,970 S 9/2003 Hutchinson
 6,782,576 B1 8/2004 Valencic et al.
 D496,425 S 9/2004 Carter
 D497,531 S 10/2004 Carter
 D508,194 S 8/2005 Carter
 6,957,466 B2 10/2005 Rivera
 D515,654 S 2/2006 Trbovich, Jr.
 D519,185 S 4/2006 Carter
 D520,825 S 5/2006 Kelleghan
 D523,317 S 6/2006 Ryan et al.
 D527,788 S 9/2006 Kellgren
 D536,593 S * 2/2007 Fraga D8/99
 D553,467 S 10/2007 Ryan
 D553,468 S 10/2007 Freeman
 7,302,760 B2 * 12/2007 Lake 30/161
 D563,755 S * 3/2008 Wu D8/99
 7,337,486 B2 3/2008 Tsuda et al.
 7,360,267 B2 4/2008 Quenzi
 7,415,745 B2 8/2008 Rivera
 D599,640 S 9/2009 Yang-Fu
 D599,641 S 9/2009 Yang-Fu

D600,090 S 9/2009 Yang-Fu
 D609,992 S 2/2010 Delaney
 7,676,932 B2 * 3/2010 Grice et al. 30/160
 D614,933 S 5/2010 Freeman
 D624,386 S * 9/2010 van Deursen D8/99
 7,818,843 B2 10/2010 Kinskey et al.
 D632,154 S 2/2011 Yang-Fu
 D634,174 S 3/2011 Ryan et al.
 7,913,398 B2 3/2011 Chu
 D639,632 S 6/2011 Freeman et al.
 D642,888 S 8/2011 Port et al.
 D653,520 S 2/2012 Chang
 D654,343 S * 2/2012 Wu D8/99
 D672,841 S * 12/2012 Pelton D22/118
 D672,842 S * 12/2012 Pelton D22/118
 D675,897 S * 2/2013 Wu D8/99
 D677,551 S 3/2013 Pelton
 D679,975 S 4/2013 Pelton
 8,464,382 B2 6/2013 Chu
 2006/0027645 A1 2/2006 Granick
 2007/0245497 A1 10/2007 Tsuda et al.
 2008/0222895 A1 9/2008 Marfione et al.
 2008/0271257 A1 11/2008 Frazer
 2009/0000038 A1 1/2009 Padden
 2010/0299933 A1 12/2010 Vellekamp
 2012/0017443 A1 1/2012 Hao

OTHER PUBLICATIONS

Boker Plus Credit Card Knife 2-1/4" Blade, retrieved from <http://www.Knifecenter.com> on Jul. 24, 2012, 2 pages.
 The Original Dog Tag Knife, Titanium Blade, Black Rubber Frame, retrieved from <http://www.knifeworks.com/theoriginaldogtagknifetitaniumblade.aspx> on Jul. 24, 2012, 4 pages.
 Iain Sinclair, CardSharp 2, retrieved from <http://iainsinclair.com/products.php> on Jul. 24, 2012, 1 page.
 SE MT908 11 Function Credit Card Size Survival Pocket Tool, retrieved from <http://www.amazon.com/SE-MT908-Function-Credit-Survival/dp/B000Q06LI4> on Jul. 24, 2012, 6 pages.
 ICE Companion with Lens/Compass—Translucent, retrieved from <http://www.sogshopping.com/tools/icc1-12.html?SID=pp1bedicbg7qm82okgt77lacd6> on Jul. 24, 2012, 1 page.
 Survival Card w/ Fire Starter/Compass—Charcoal, retrieved from <http://www.toollogic.com/tools/svc1-38.html> on Jul. 24, 2012, 1 page.
 Extended European Patent Search, dated Mar. 15, 2013, 5 pages.
 DPx Hest 2.0 Knife Survival Blade, http://www.bladehq.com/item--ESEE-DPx_HEST-Folder--6996, downloaded Sep. 26, 2012.
 Sheffield Moab Folding Rescue Knife, <http://www.autogeek.net/sheffield-rescue-knife.html>, downloaded Sep. 27, 2012.
 Ontario Hest Original Fixed Blade. Downloaded from <http://www.sears.com/ontario-hest-origina-fixed-blade/p-SPM6596962201?prdNo=2&bl...> on Nov. 16, 2012.
 Blackwater Aculus Limited Edition Knife. [Http://www.dpxgear.com/shop/aculus-coming-soon.html](http://www.dpxgear.com/shop/aculus-coming-soon.html), Jun. 2, 2013.

* cited by examiner

FIGURE 1

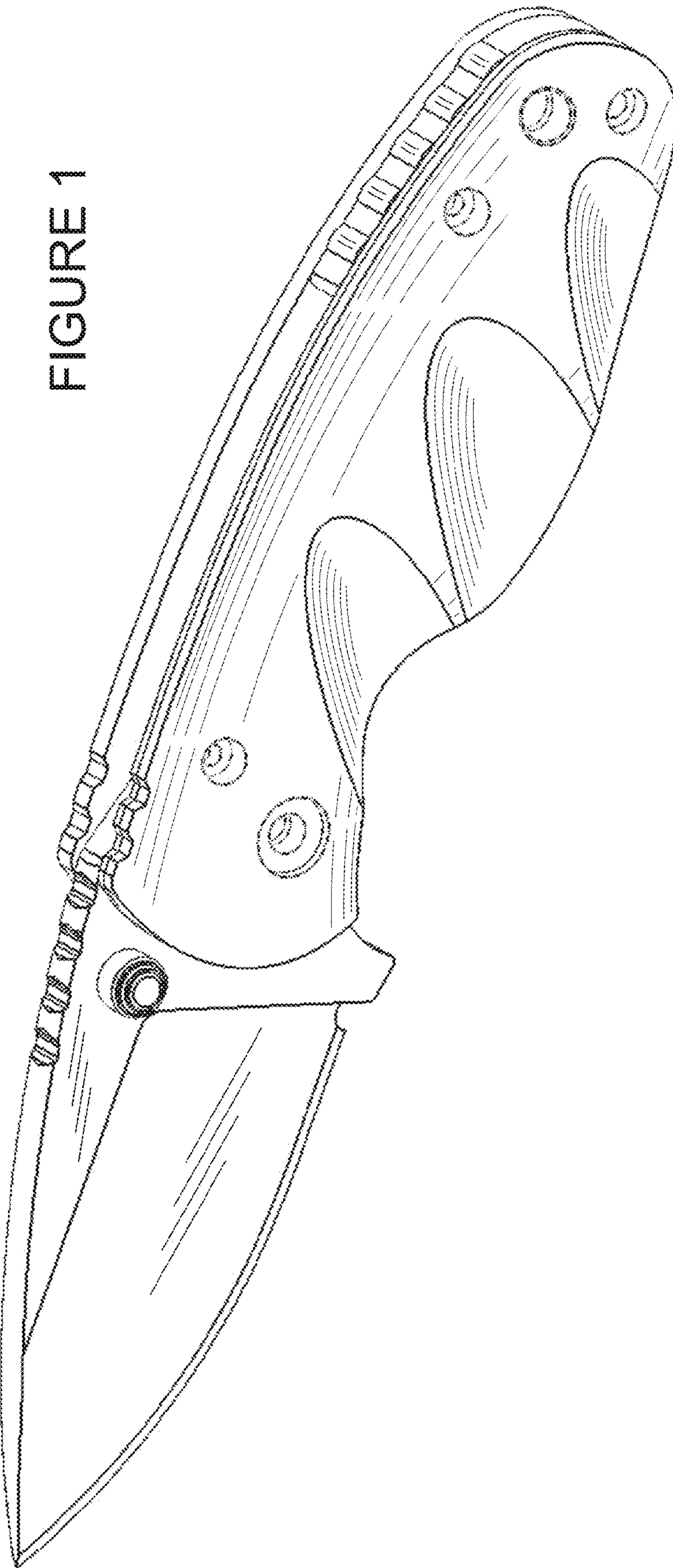


FIGURE 2

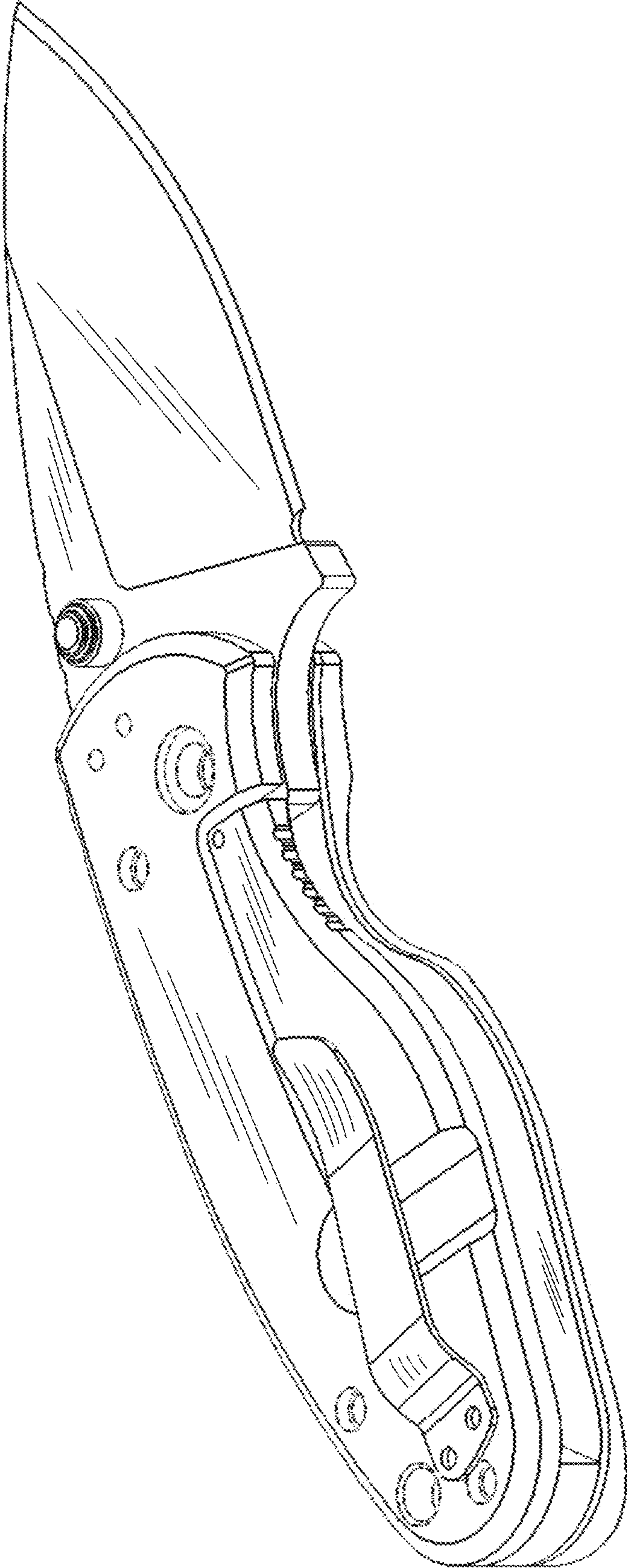


FIGURE 3

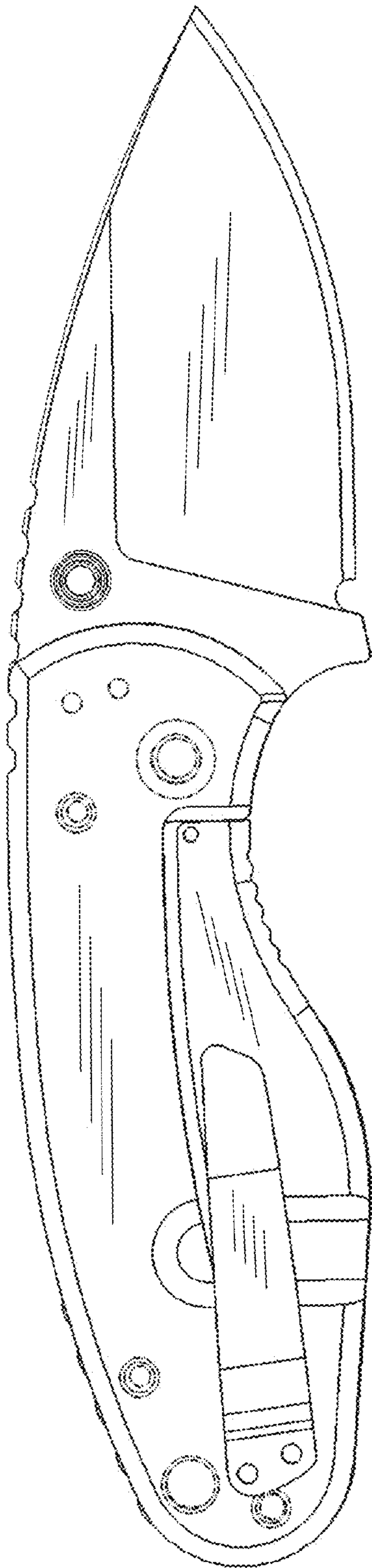
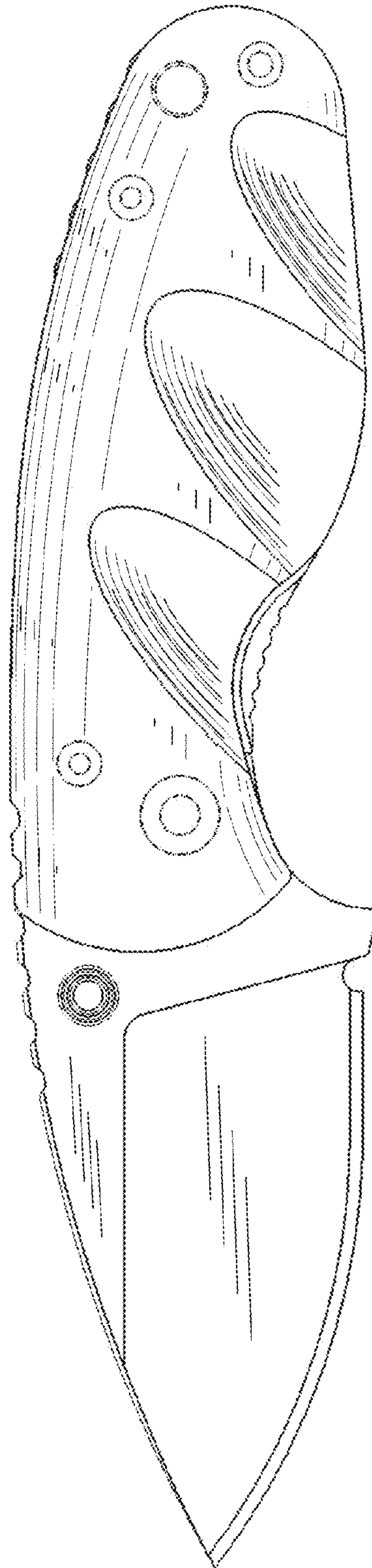


FIGURE 4



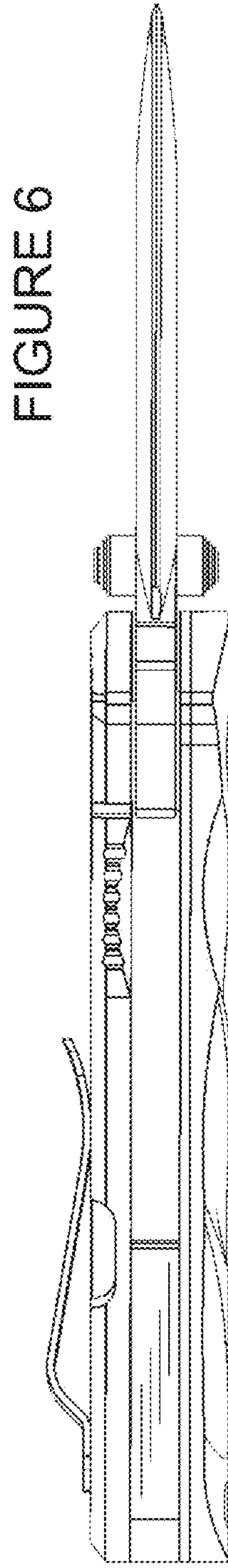
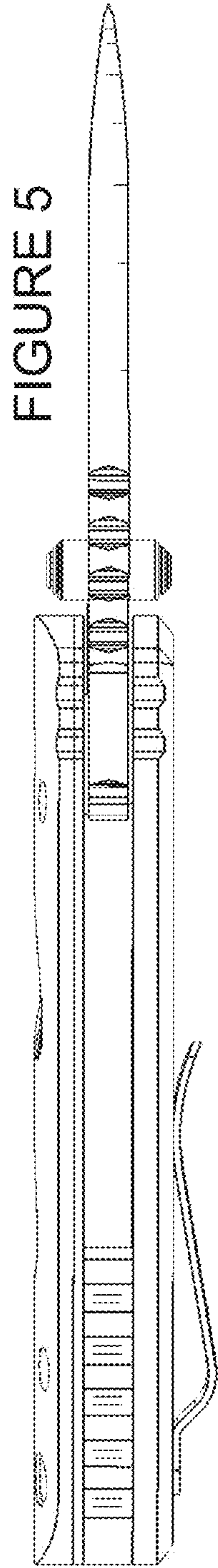


FIGURE 8

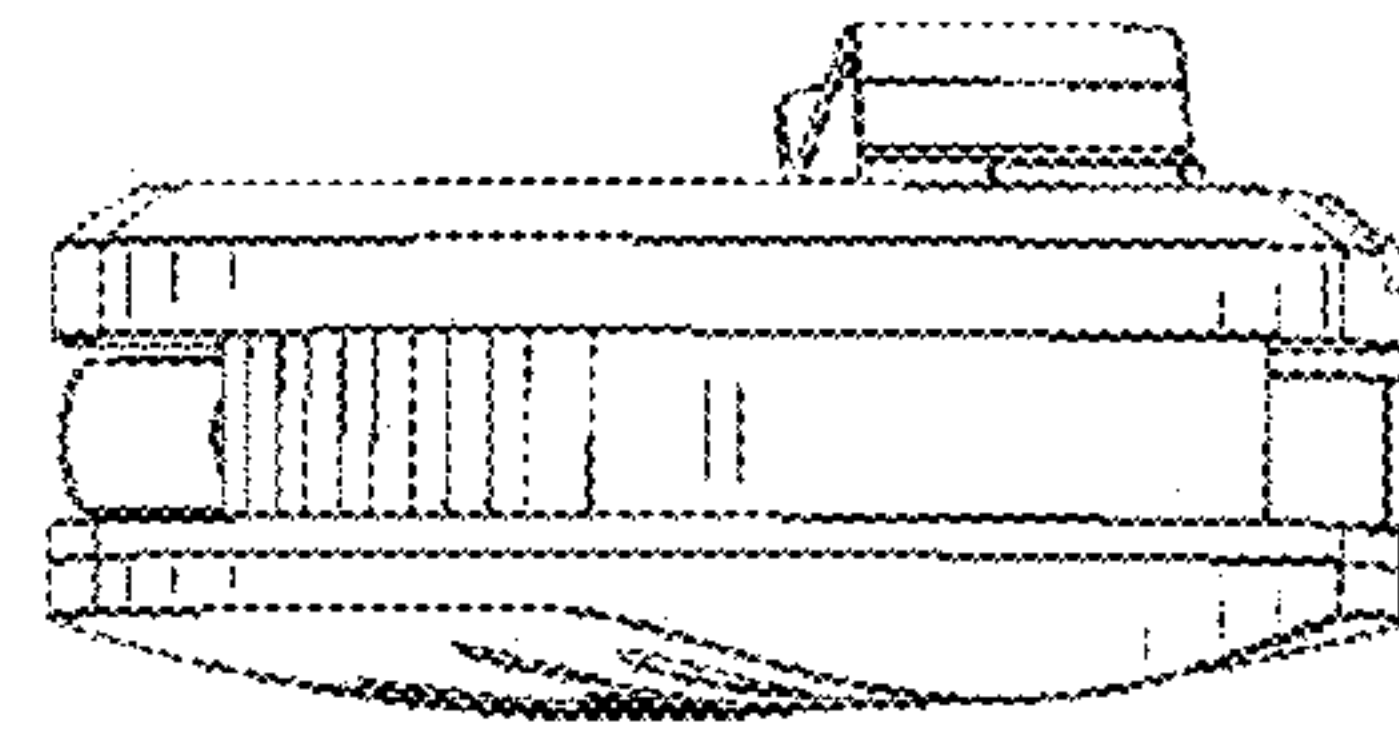


FIGURE 7

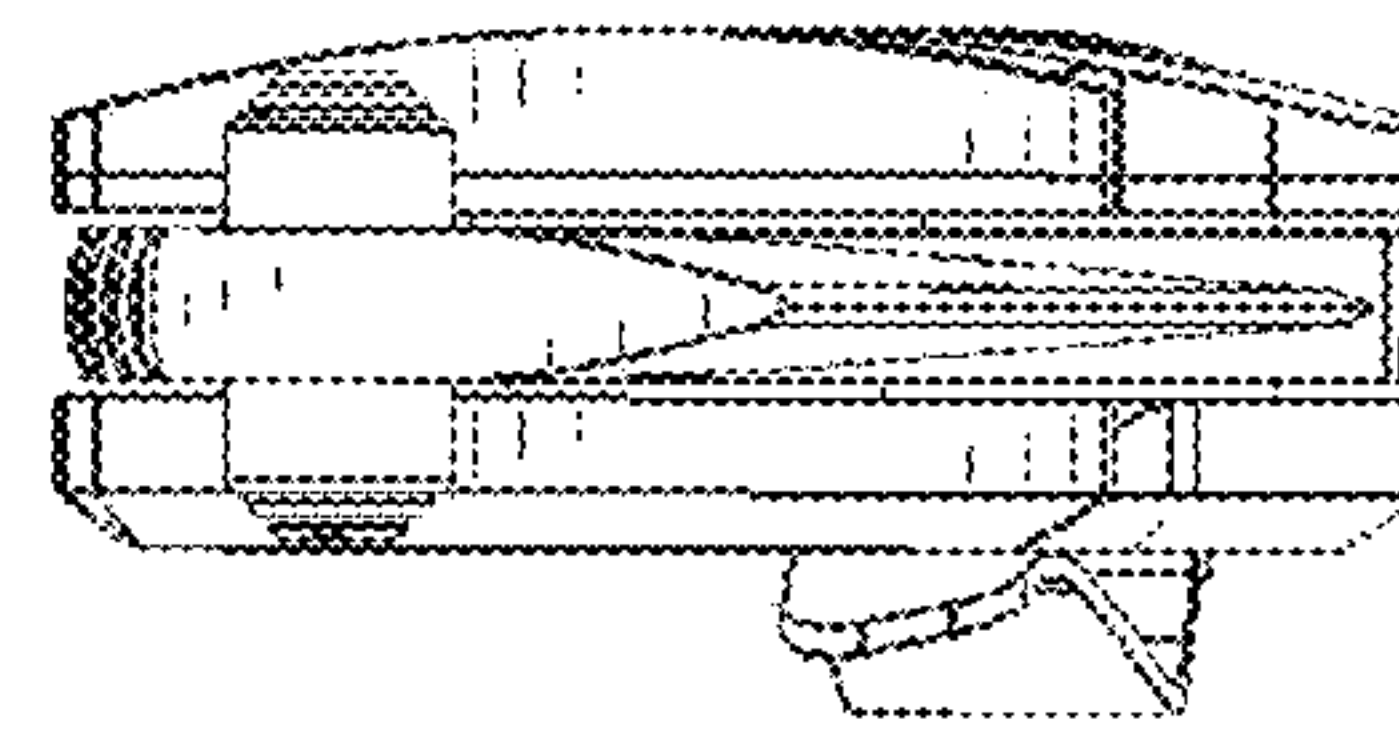


FIGURE 10

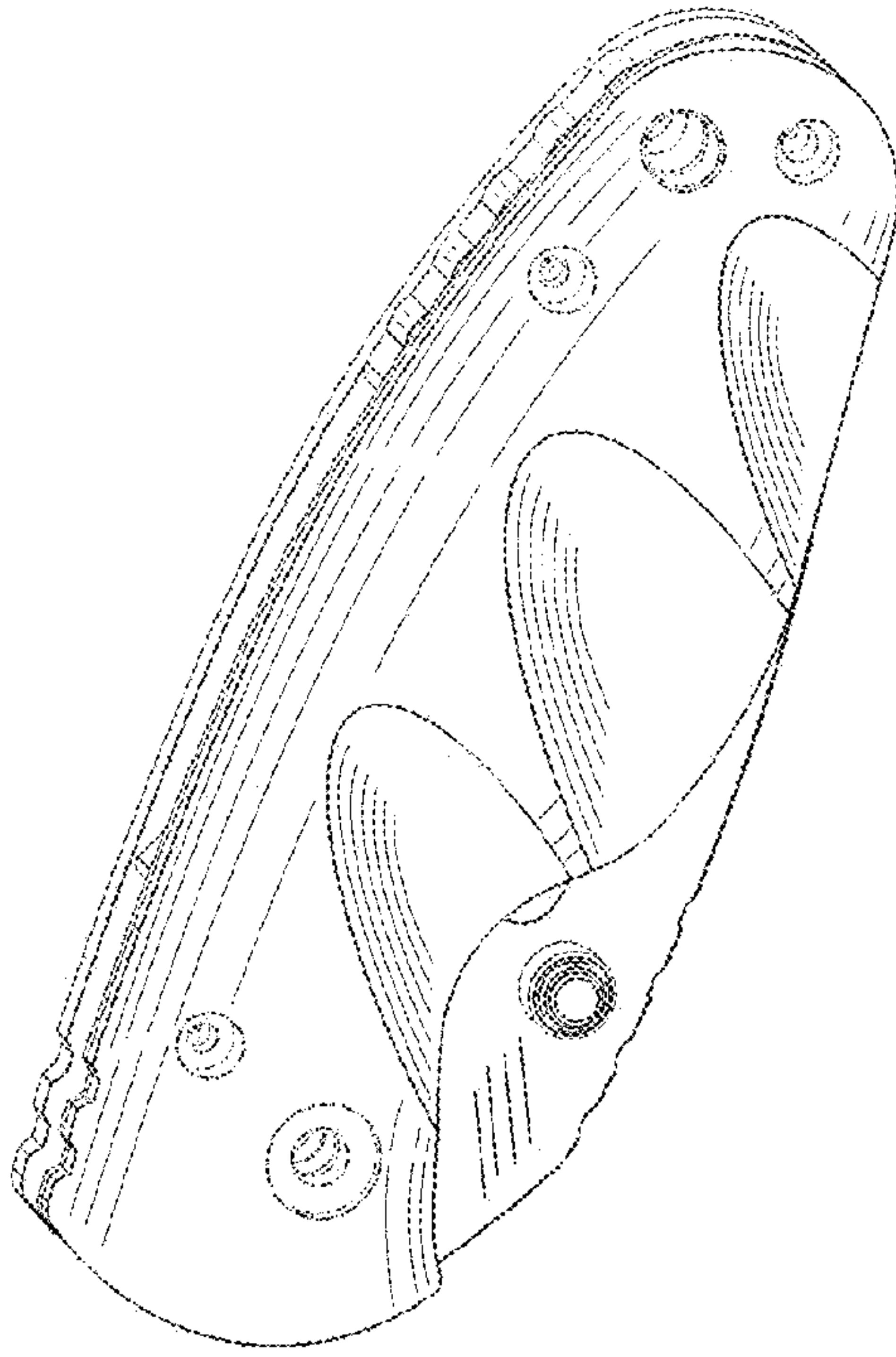


FIGURE 12

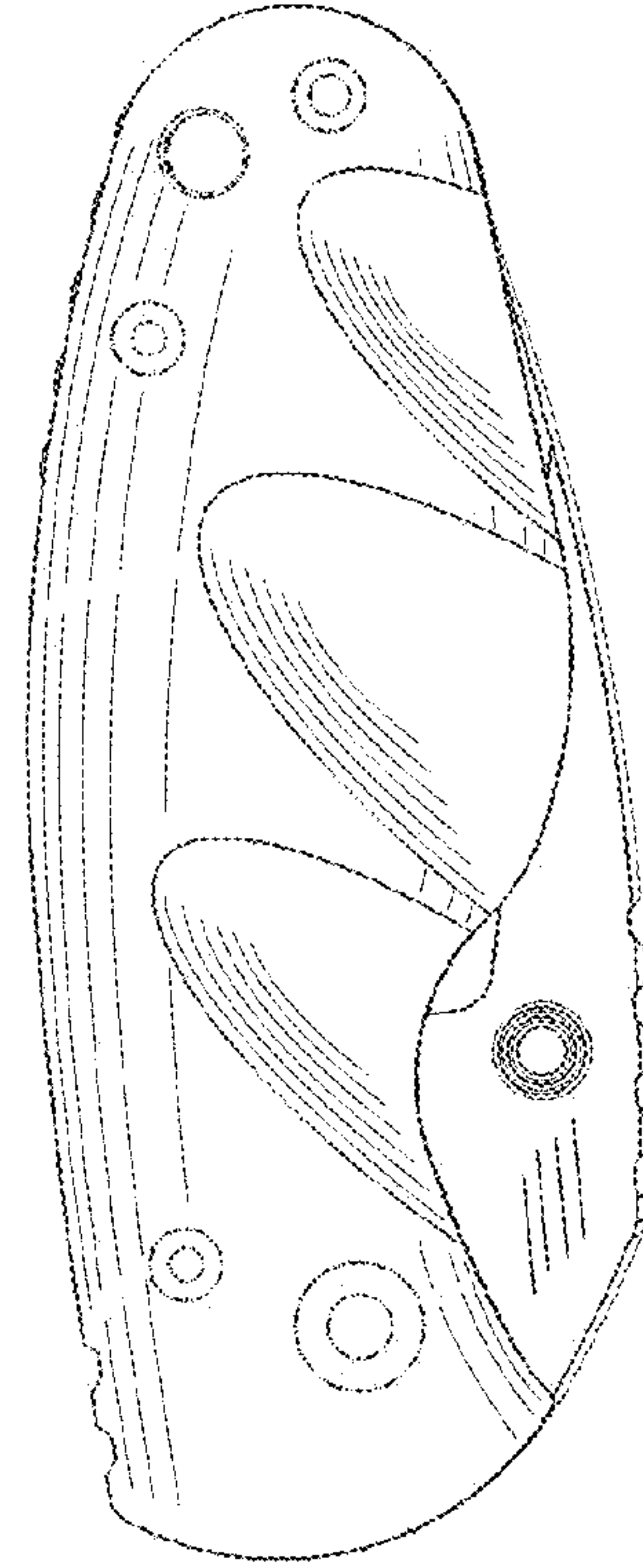


FIGURE 9

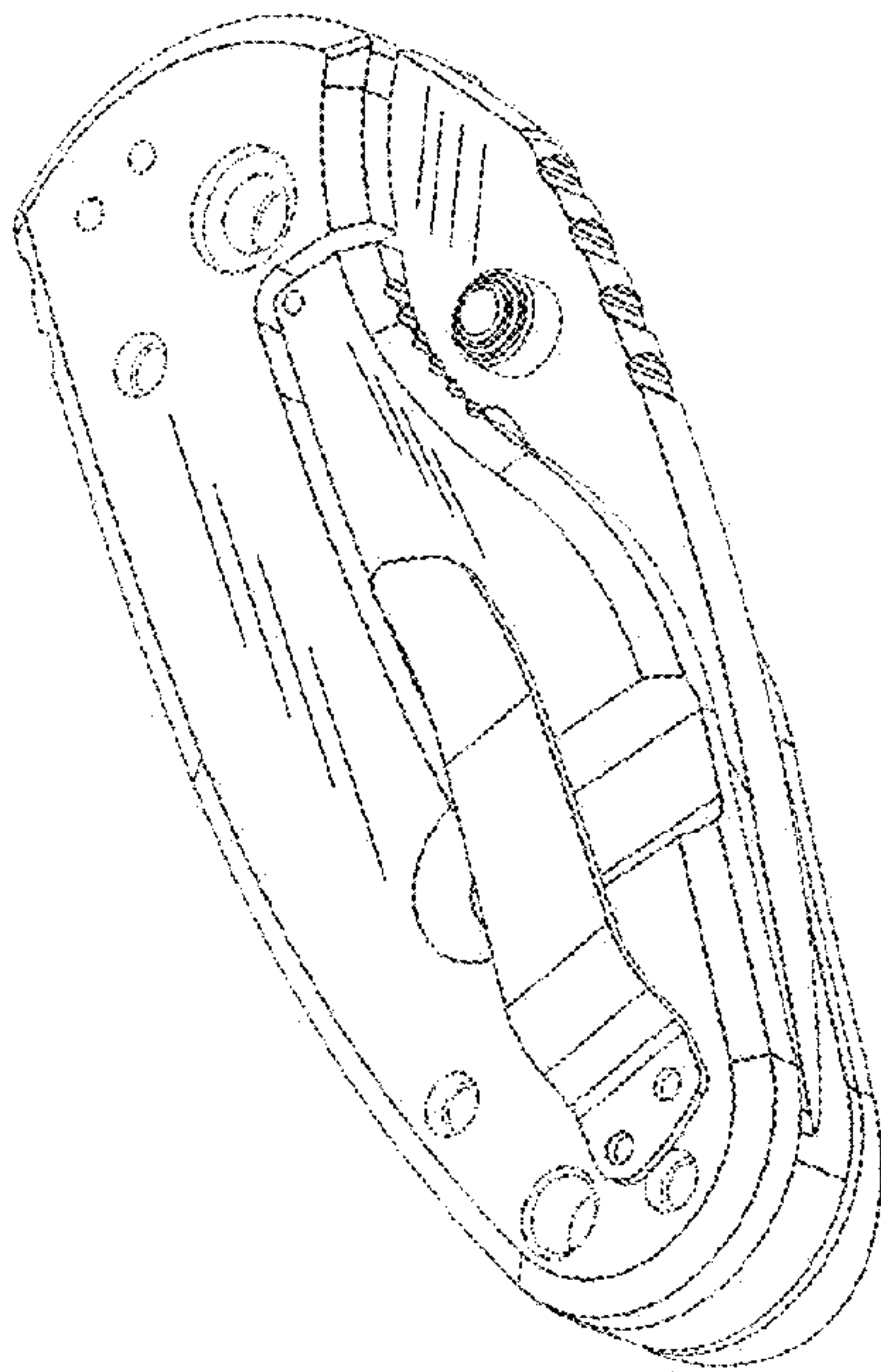


FIGURE 11

