



US00D706106S

(12) **United States Design Patent**
Chen

(10) **Patent No.:** **US D706,106 S**
(45) **Date of Patent:** **** Jun. 3, 2014**

- (54) **TOOL BIT**
- (71) Applicant: **Hsiu-Hua Chang**, Taichung (TW)
- (72) Inventor: **Jie-Long Chen**, Taichung (TW)
- (73) Assignee: **Hsiu-Hua Chang**, Taichung (TW)
- (**) Term: **14 Years**
- (21) Appl. No.: **29/440,402**
- (22) Filed: **Dec. 21, 2012**
- (51) **LOC (10) Cl.** **08-04**
- (52) **U.S. Cl.**
USPC **D8/86**
- (58) **Field of Classification Search**
USPC D8/70, 82, 85-87; 81/436, 438-443,
81/460-461
See application file for complete search history.

7,107,882	B1 *	9/2006	Chang	81/451
7,437,979	B1 *	10/2008	Wang	81/436
D645,328	S *	9/2011	Hsu	D8/86
D653,518	S *	2/2012	Lucio et al.	D8/86
D653,519	S *	2/2012	Lucio et al.	D8/86

* cited by examiner

Primary Examiner — Philip S Hyder
Assistant Examiner — Roselynn Cody

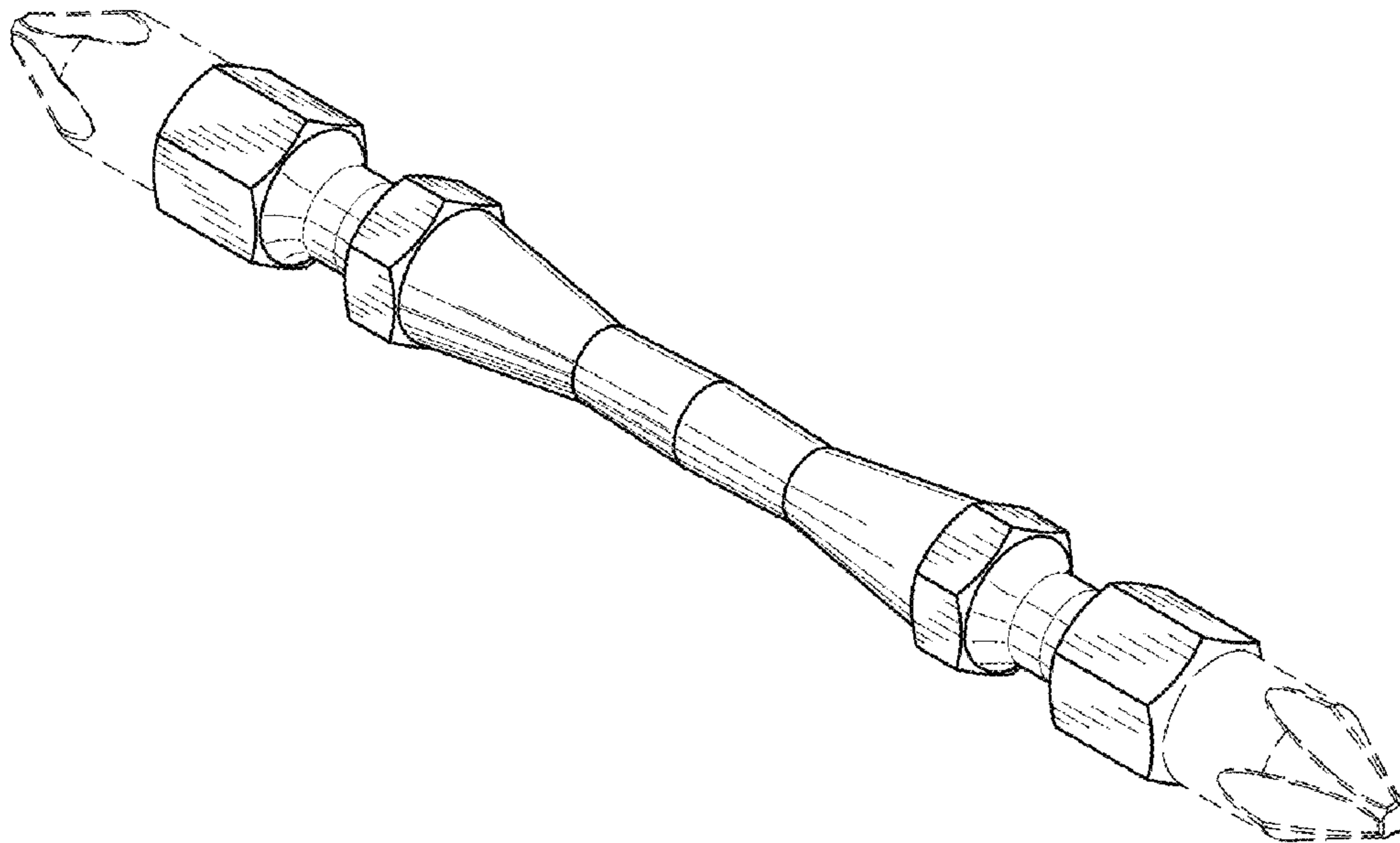
(57) **CLAIM**
I claim the ornamental design for a tool bit, as shown and described.

DESCRIPTION

FIG. 1 is a perspective view of a tool bit, showing my new design;
FIG. 2 is a front elevational view thereof;
FIG. 3 is a rear elevational view thereof;
FIG. 4 is a left side elevational view thereof;
FIG. 5 is a right side elevational view thereof;
FIG. 6 is a top plan view thereof; and,
FIG. 7 is a bottom plan view thereof.
The broken lines shown in the drawings are for the purpose of illustrating unclaimed portions of the tool bit and form no part of the claimed design.

- (56) **References Cited**
U.S. PATENT DOCUMENTS
4,096,896 A * 6/1978 Engel 81/121.1
D445,325 S * 7/2001 Fruhm D8/86
6,308,598 B1 * 10/2001 O'Neil 81/467
D462,596 S * 9/2002 Fruhm D8/86
6,655,243 B2 * 12/2003 Anderson et al. 81/490

1 Claim, 4 Drawing Sheets



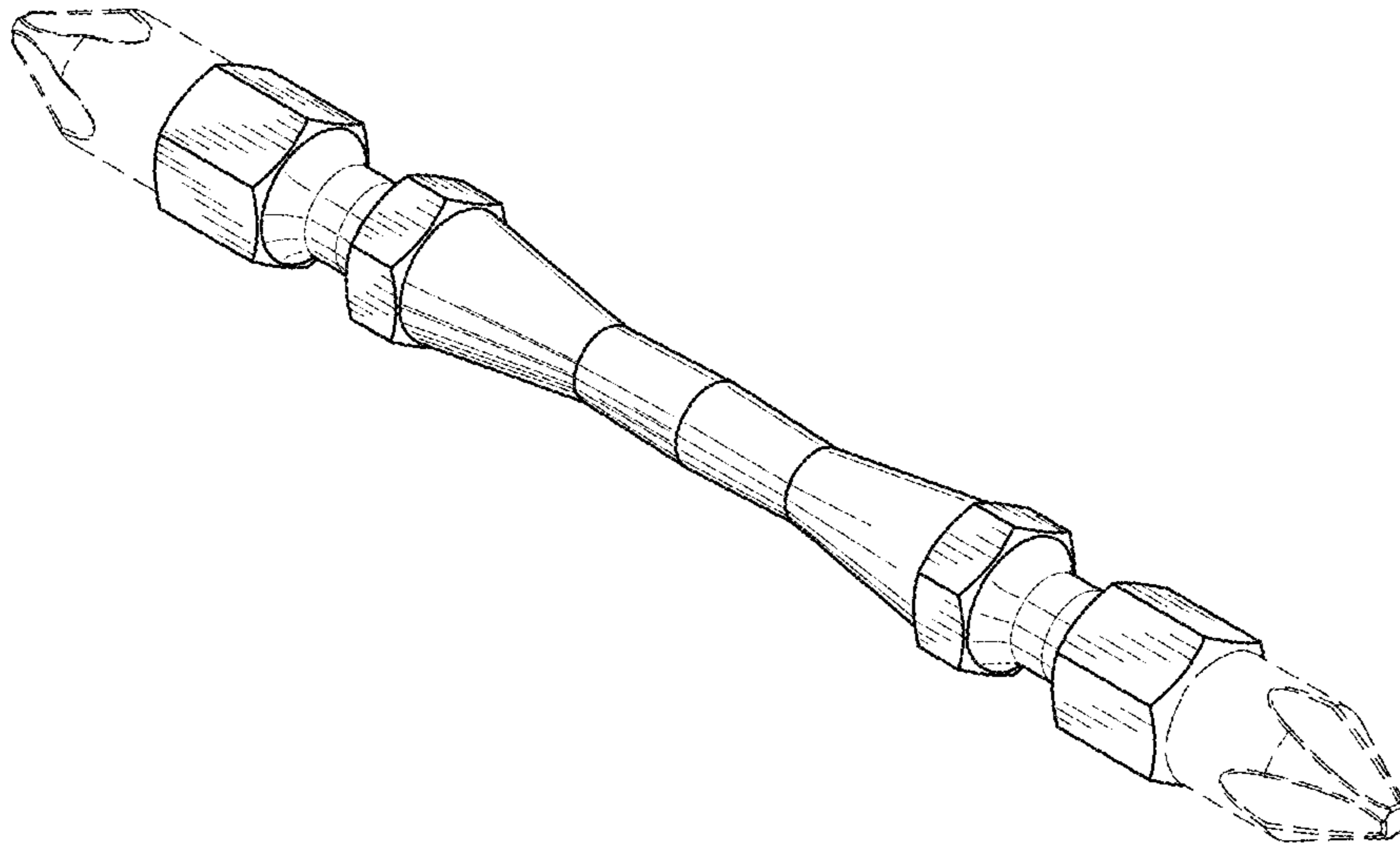


FIG. 1

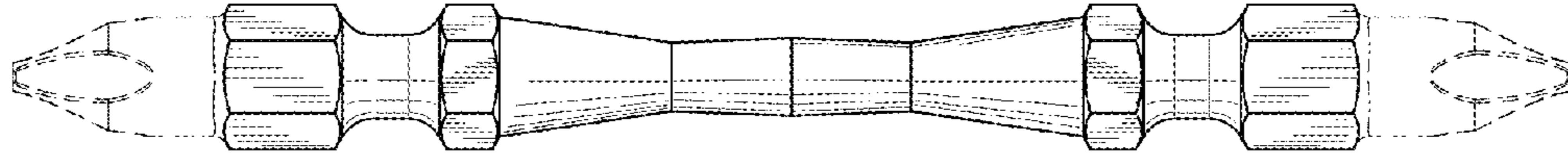


FIG. 2

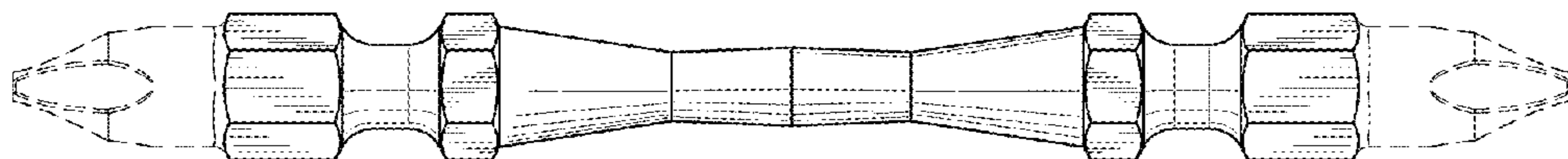


FIG. 3

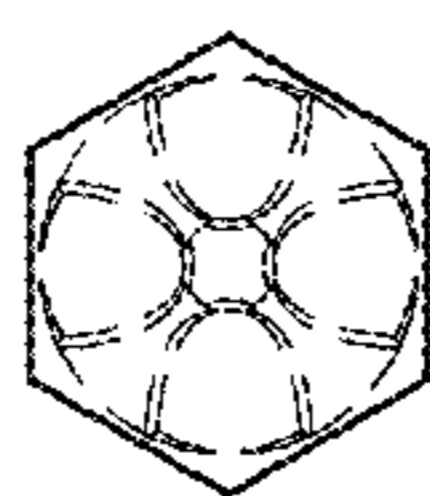


FIG. 4

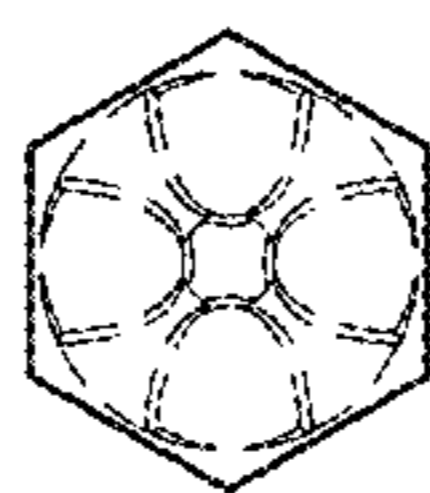


FIG. 5

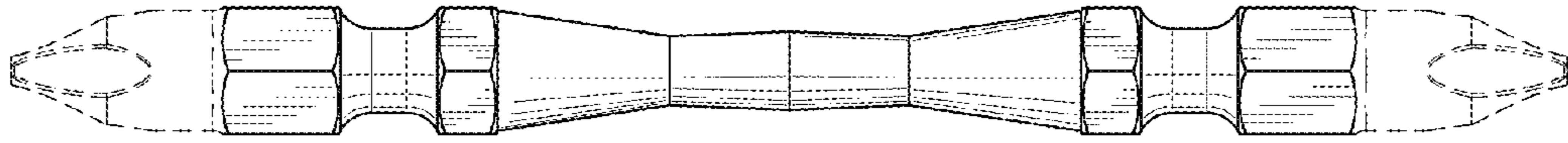


FIG. 6

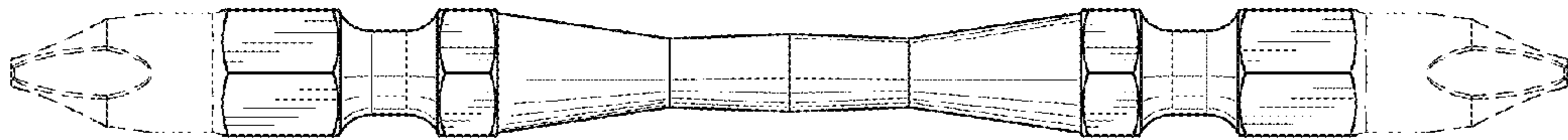


FIG. 7