



US00D706103S

(12) **United States Design Patent**
Jonsson et al.

(10) **Patent No.:** **US D706,103 S**
(45) **Date of Patent:** **** Jun. 3, 2014**

- (54) **HAND TOOL FOR INSTALLING PIPE AND HOSE CLAMPS**
- (75) Inventors: **Tom Ossian Jonsson**, Skaelskor (DK);
Brian Rise Hamann Jensen, Skaelskor (DK)
- (73) Assignee: **SMCP ApS** (DK)
- (**) Term: **14 Years**
- (21) Appl. No.: **29/425,333**
- (22) Filed: **Jun. 21, 2012**

D386,656 S	11/1997	Kyser	
D395,214 S	6/1998	Murphy, Jr.	
D404,632 S	1/1999	Reynolds et al.	
D406,518 S	3/1999	Yenkala	
D480,933 S	10/2003	Wendt	
D501,633 S	2/2005	Kruepke	
6,922,920 B1	8/2005	Stratz	
D579,290 S	10/2008	Brooke	
D623,910 S	9/2010	Botkin	
D625,573 S	10/2010	Bonzer	
D657,639 S *	4/2012	Yates, Jr.	D8/1
D668,920 S *	10/2012	Sandoval	D8/1
D669,346 S *	10/2012	Jonsson et al.	D8/396

* cited by examiner

Related U.S. Application Data

- (62) Division of application No. 29/353,474, filed on Jan. 8, 2010, now Pat. No. Des. 662,384.

Foreign Application Priority Data

- Jul. 8, 2009 (EM) 001574591-0001
- Jul. 8, 2009 (EM) 001574591-0002

- (51) **LOC (10) Cl.** **08-05**
- (52) **U.S. Cl.**
USPC **D8/51; D8/14**

- (58) **Field of Classification Search**
USPC D8/1, 4, 5, 14, 21, 26, 33, 34, 40, 70,
D8/71, 51-58, 60, 105-107; 52/586.1,
52/586.2, 745.21, 749.1
See application file for complete search history.

(56) **References Cited**

U.S. PATENT DOCUMENTS

3,624,876 A	12/1971	Irvin
D248,536 S	7/1978	Domasin
D364,542 S	11/1995	Pollard
5,598,682 A	2/1997	Haughian

Primary Examiner — Deanna L Pratt

(74) *Attorney, Agent, or Firm* — St. Onge Steward Johnston & Reens LLC

(57) **CLAIM**

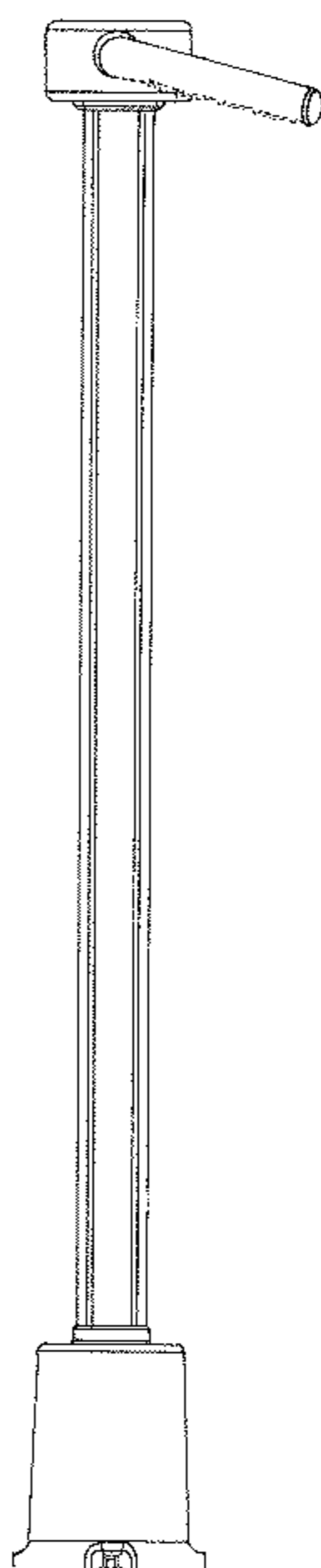
The ornamental design for a hand tool for installing pipe and hose clamps, as shown and described.

DESCRIPTION

FIG. 1 is a left side elevation view of a hand tool for installing pipe and hose clamps in accordance with the new design; FIG. 2 is a right side elevation view thereof; FIG. 3 is a rear elevation view thereof; FIG. 4 is a front elevation view thereof; FIG. 5 is a top plan view thereof; and, FIG. 6 is a bottom plan view thereof.

The broken line showings of the triangularly-shaped finger grip features in FIGS. 1, 2, 3, 4 and 6 illustrate portions of the hand tool for installing pipe and hose clamps that form no part of the claimed design. The broken line squares in FIGS. 5 and 6 illustrate the bounds of the claimed design. These broken line boundaries and the areas therewithin form no part of the claimed design.

1 Claim, 6 Drawing Sheets



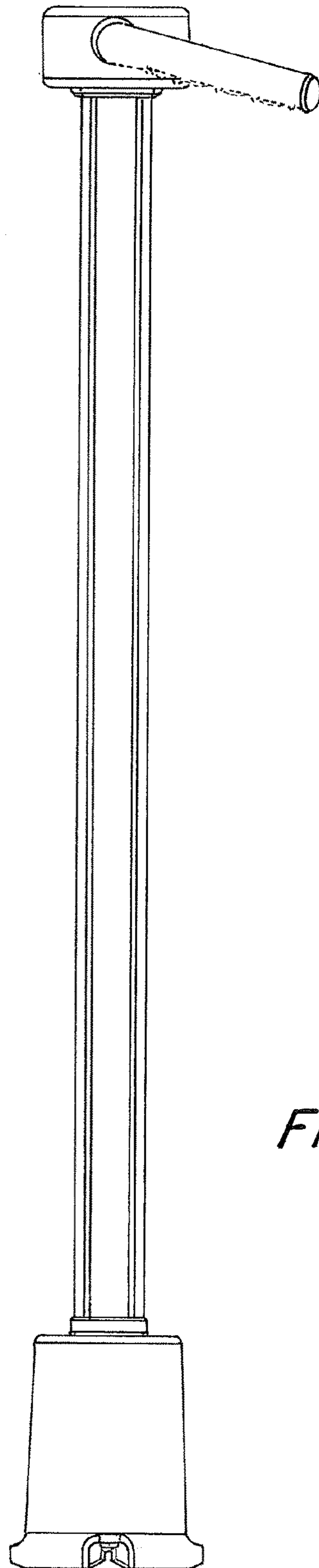


FIG. 1

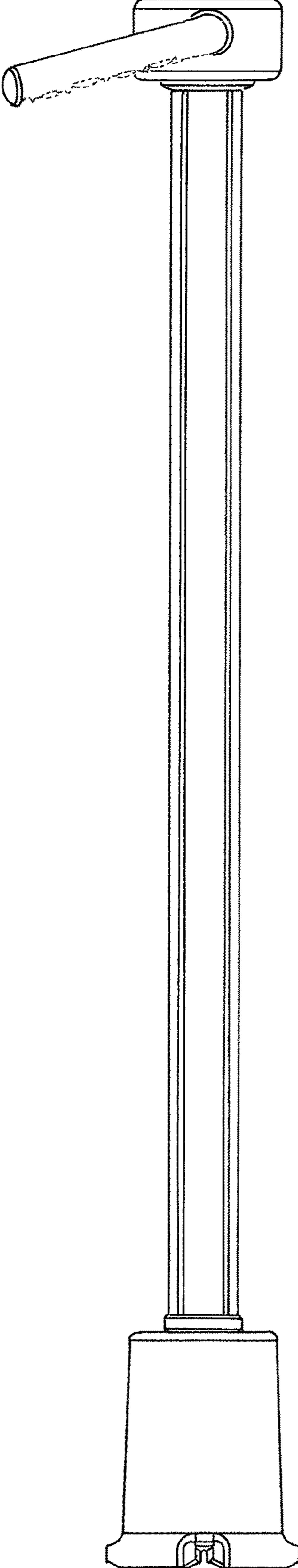


FIG. 2

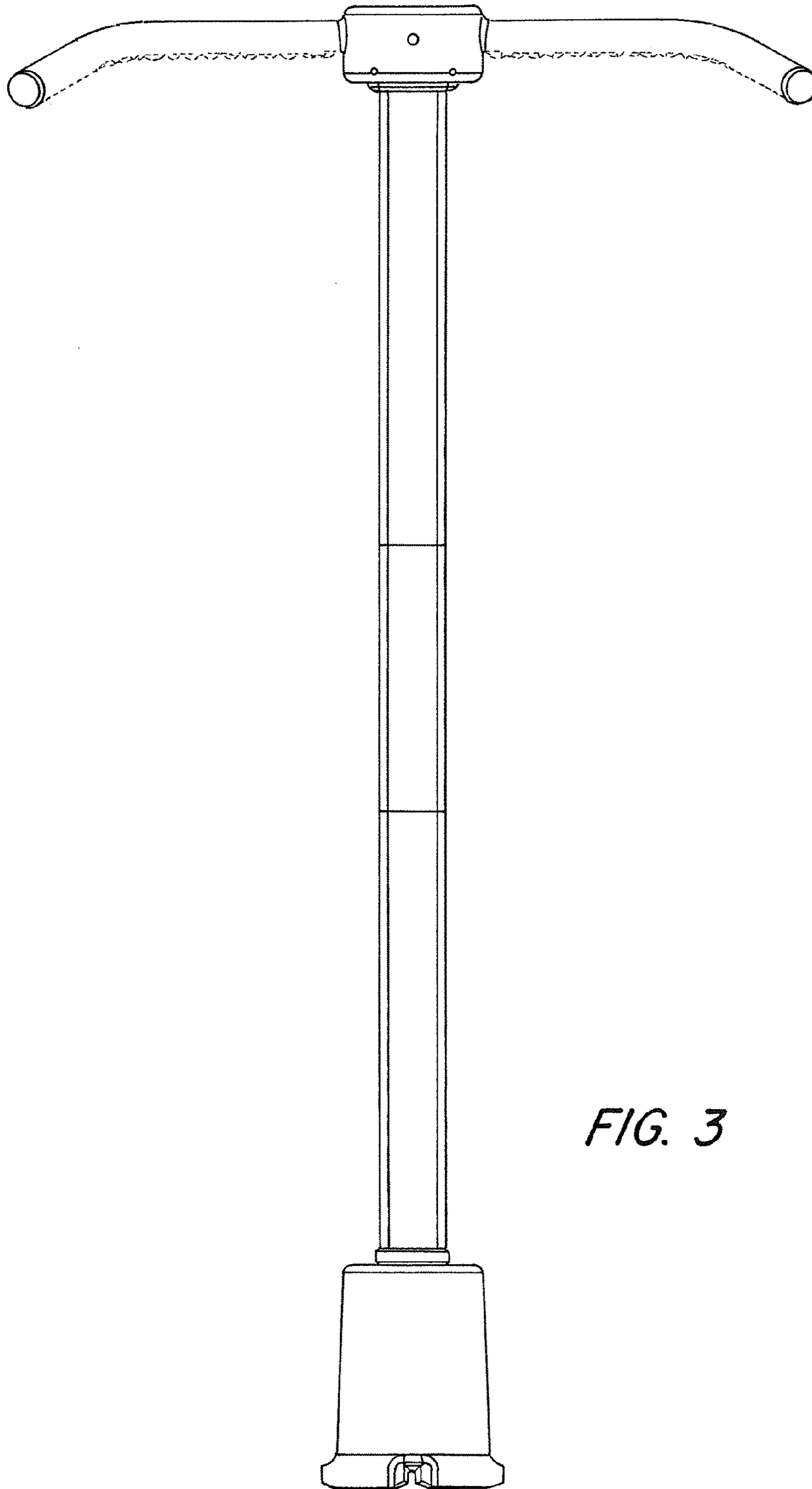


FIG. 3

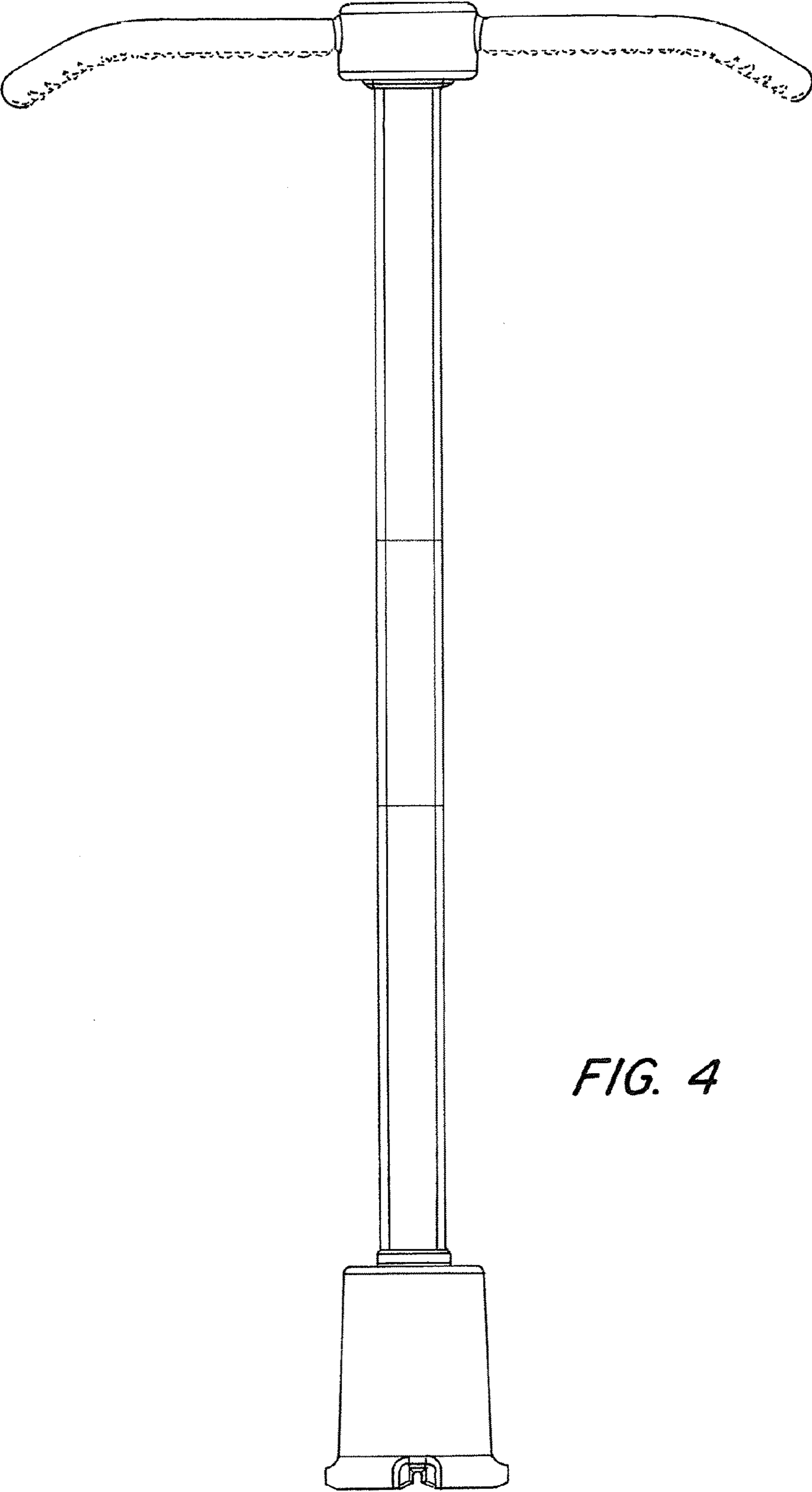


FIG. 4

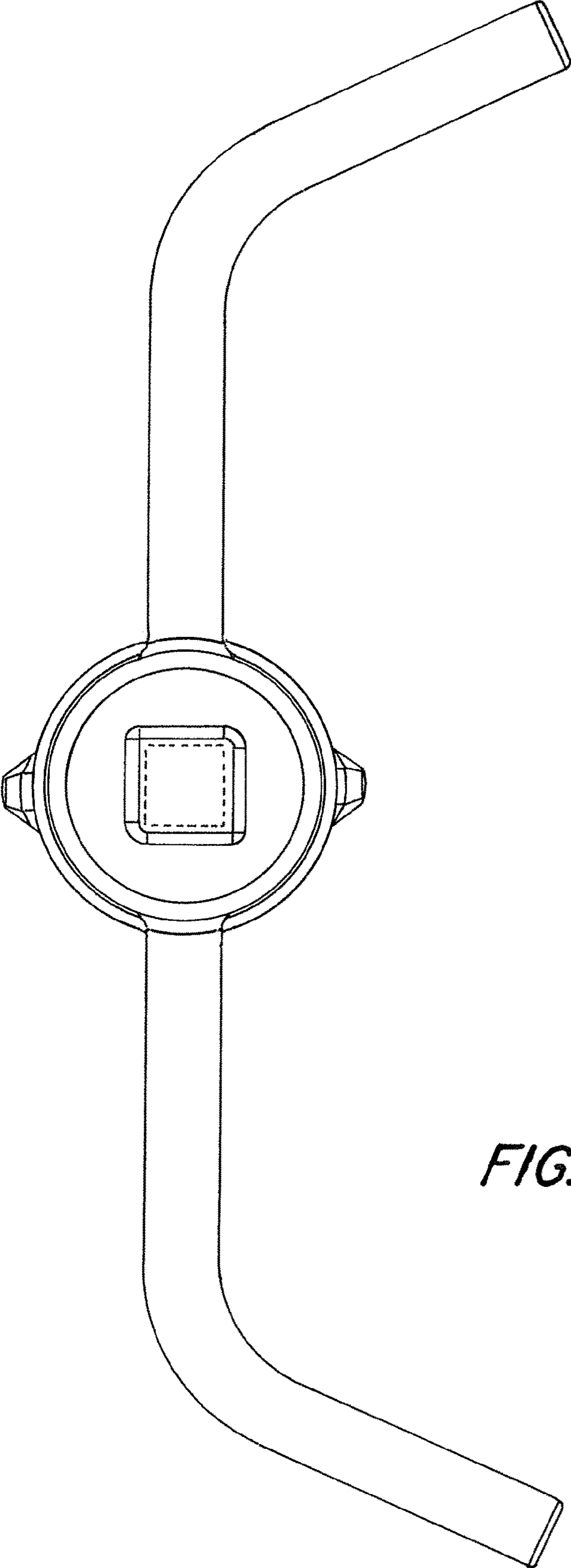


FIG. 5

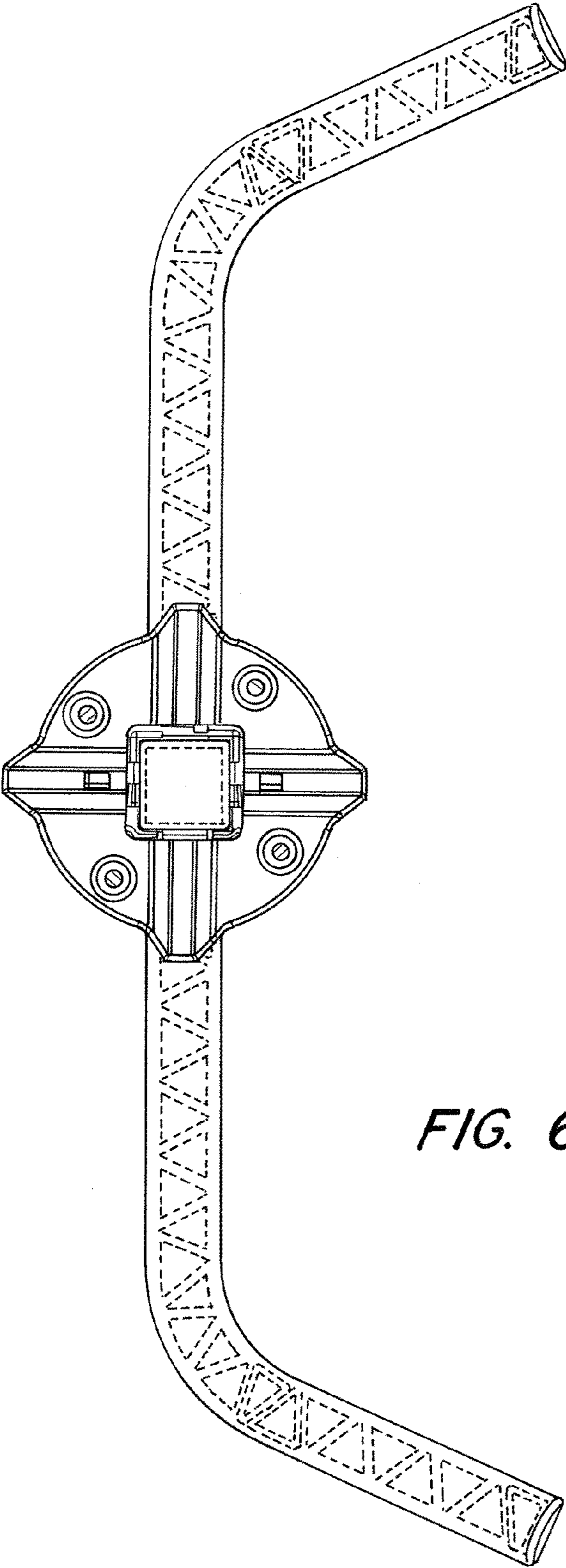


FIG. 6