



US00D706098S

(12) **United States Design Patent**
Uematsu et al.

(10) **Patent No.:** **US D706,098 S**
(45) **Date of Patent:** **** Jun. 3, 2014**

(54) **SEALING GUN**

(71) Applicant: **Panasonic Corporation**, Osaka (JP)

(72) Inventors: **Kazuma Uematsu**, Saitama (JP); **Yuki Yamamoto**, Tokyo (JP); **Satoshi Fujii**, Osaka (JP)

(73) Assignee: **Panasonic Corporation**, Osaka (JP)

(**) Term: **14 Years**

(21) Appl. No.: **29/436,166**

(22) Filed: **Nov. 2, 2012**

(30) **Foreign Application Priority Data**

May 7, 2012 (JP) 2012-010471

(51) **LOC (10) Cl.** **08-05**

(52) **U.S. Cl.**
USPC **D8/14.1**

(58) **Field of Classification Search**
USPC D8/14.1, 29.1, 29.2, 30, 61, 107;
222/325, 326, 327, 330, 333; D28/13,
D28/18

See application file for complete search history.

(56) **References Cited**

U.S. PATENT DOCUMENTS

4,615,469 A * 10/1986 Kishi et al. 222/327
D348,811 S * 7/1994 Albers D8/14.1

D361,247 S * 8/1995 Snetting et al. D8/14.1
5,762,239 A * 6/1998 Cossette 222/326
D545,152 S * 6/2007 Lopano et al. D8/14.1
D573,425 S * 7/2008 Post et al. D8/14.1
D646,847 S * 10/2011 Correll et al. D28/13
8,528,785 B2 * 9/2013 Naughton 222/137
8,573,450 B2 * 11/2013 Hsu et al. 222/333

* cited by examiner

Primary Examiner — Philip S Hyder

Assistant Examiner — Roselynn Cody

(74) *Attorney, Agent, or Firm* — Panasonic Patent Center

(57) **CLAIM**

We claim the ornamental design for a sealing gun, as shown and described.

DESCRIPTION

FIG. 1 is a front perspective view of a sealing gun of the present invention;

FIG. 2 is a rear perspective view thereof;

FIG. 3 is a front view thereof;

FIG. 4 is a rear view thereof;

FIG. 5 is a left side view thereof;

FIG. 6 is a right side view thereof;

FIG. 7 is a top view thereof; and,

FIG. 8 is a bottom view thereof.

The broken lines throughout the figures are directed to portions of the sealing gun that form no part of the claim. Additionally, the unevenly broken lines in the drawings define the limits of the claimed design.

1 Claim, 8 Drawing Sheets

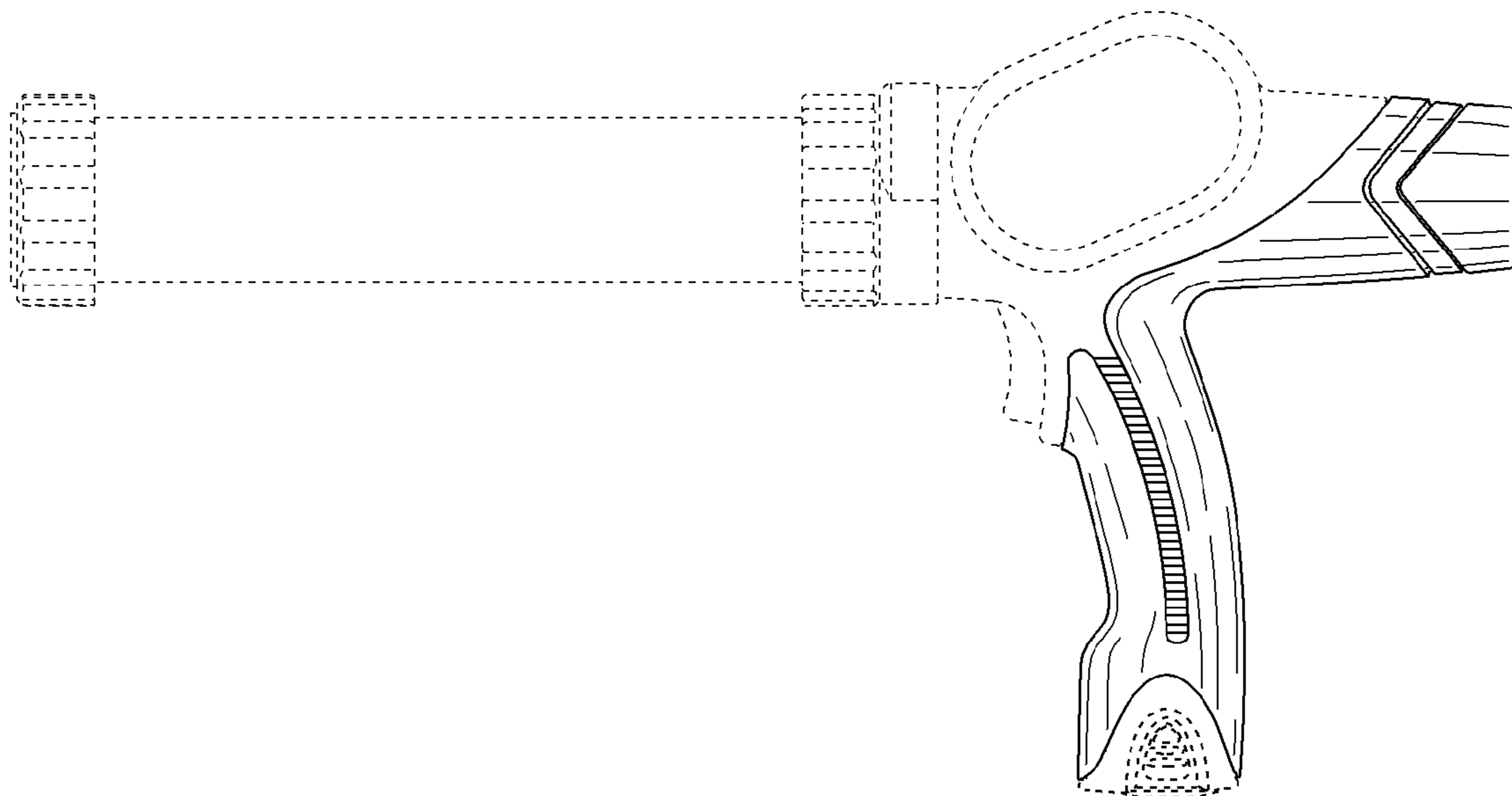


FIG. 1

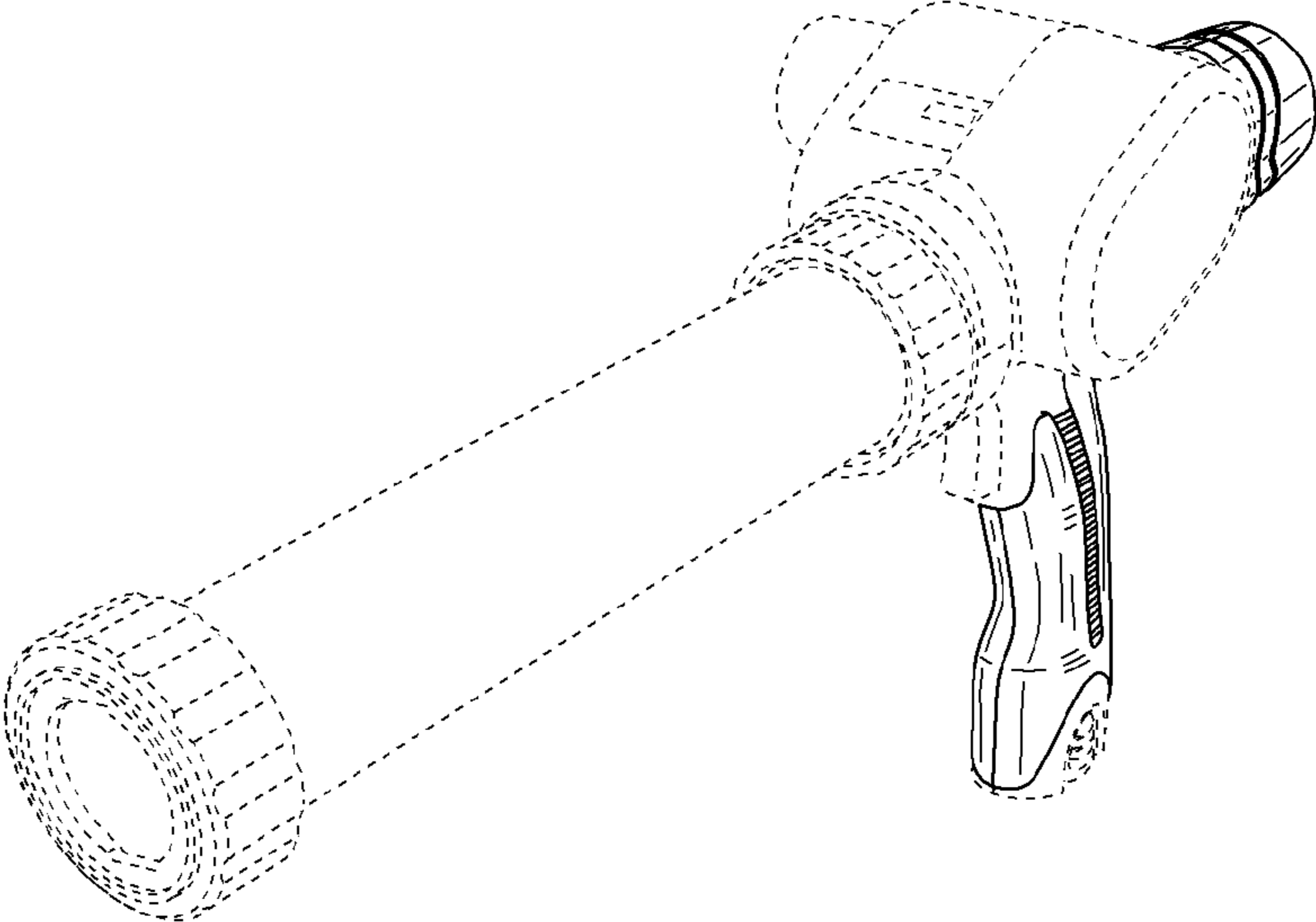


FIG. 2

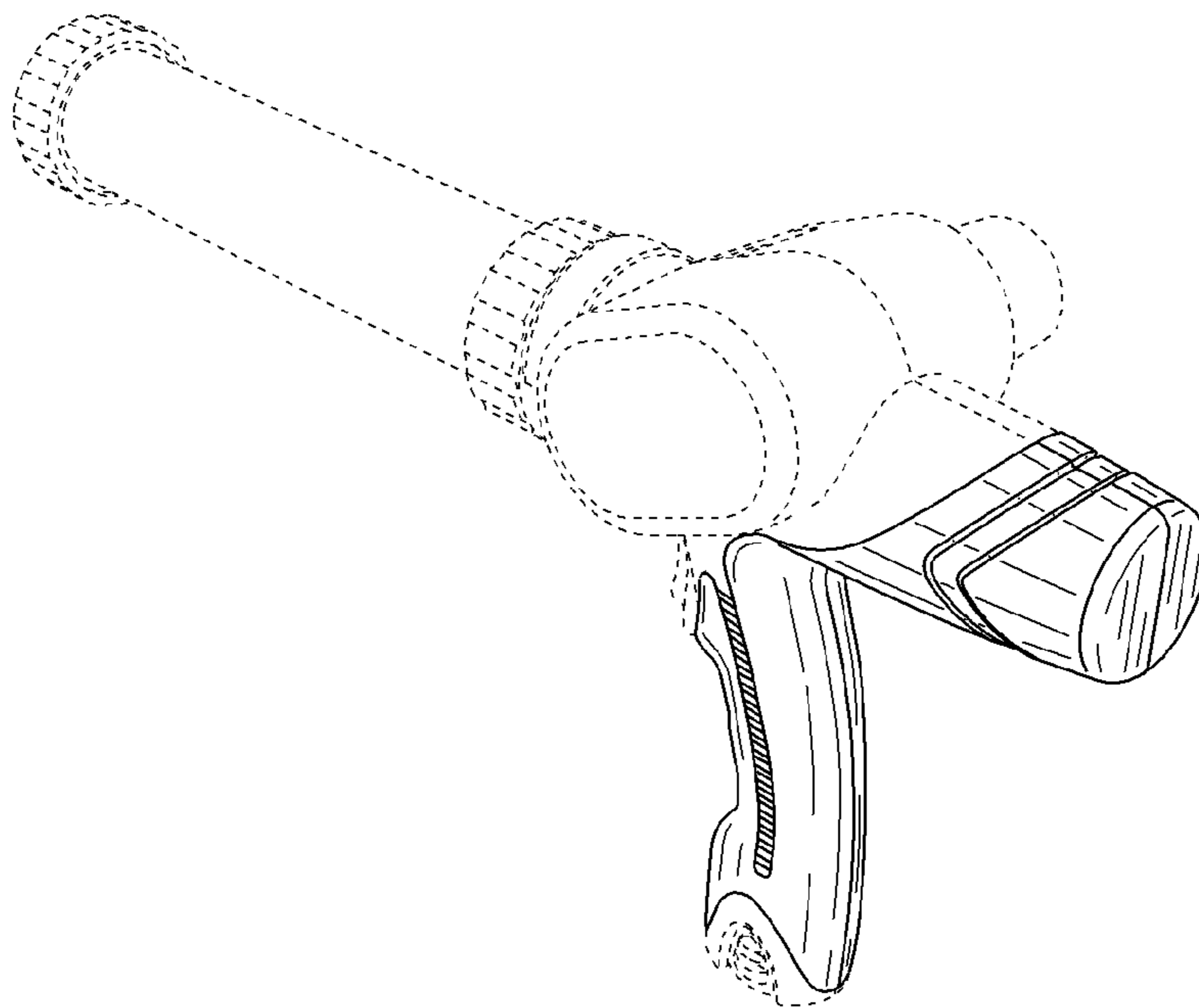


FIG. 3

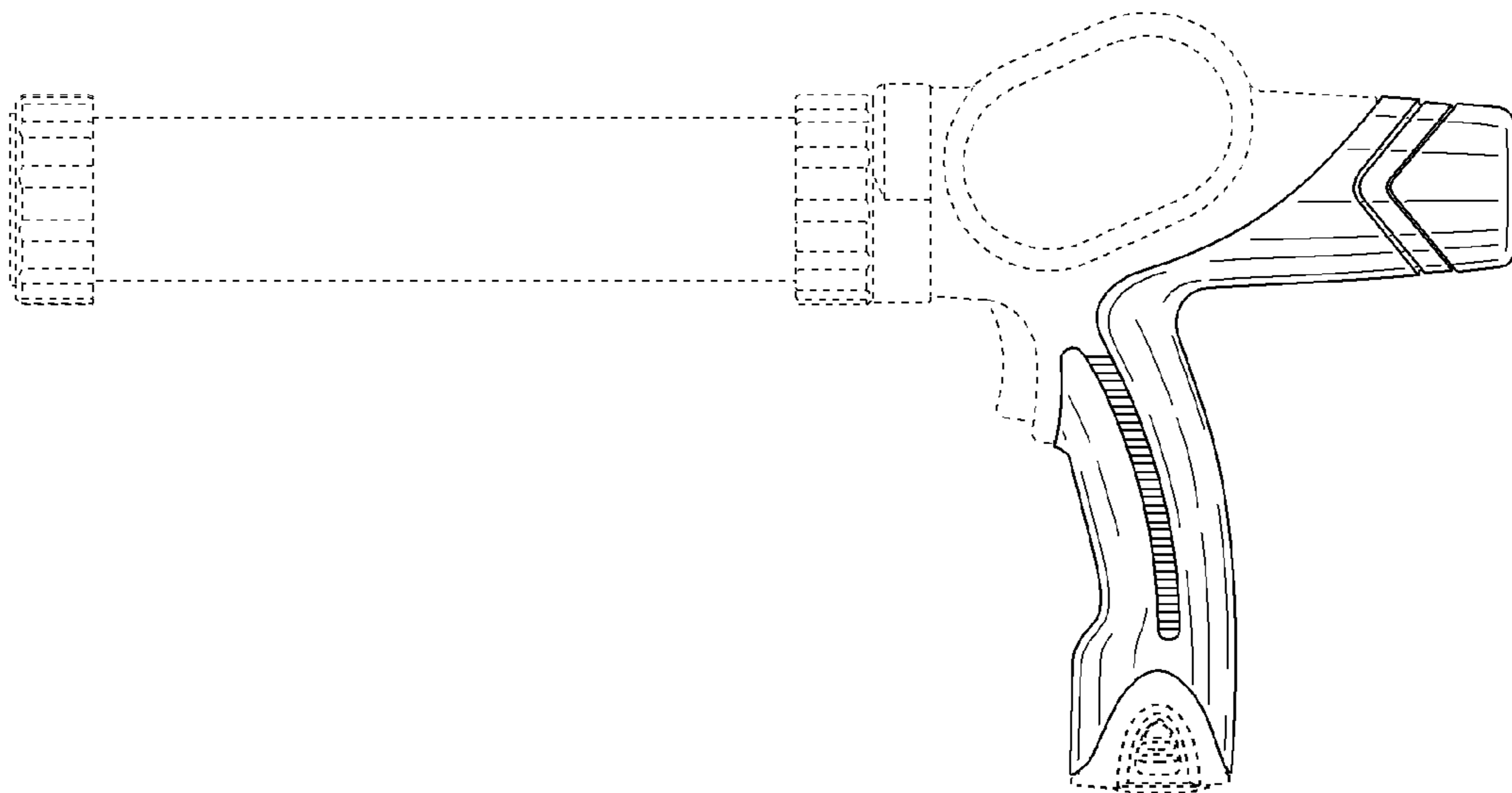


FIG. 4

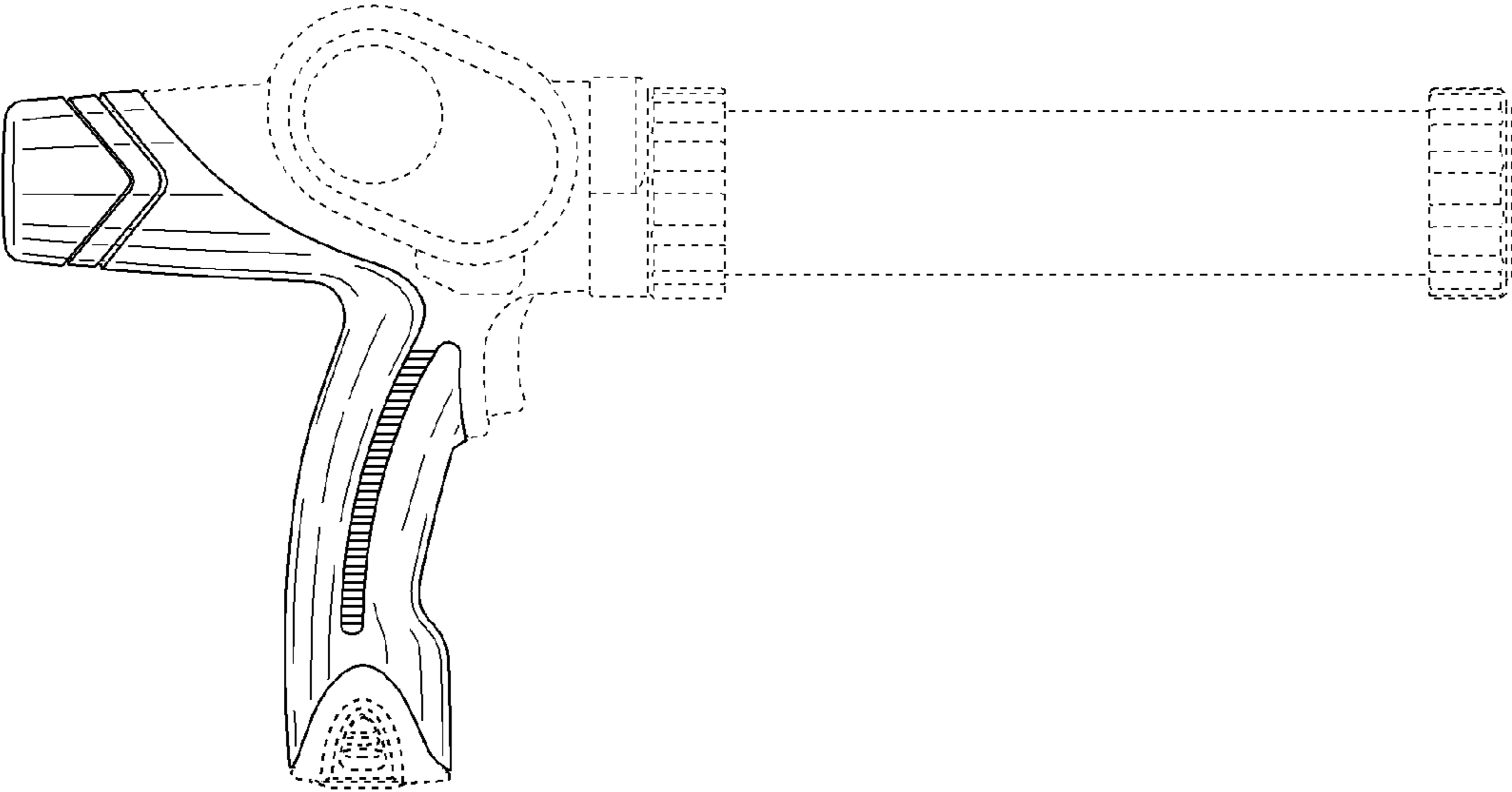


FIG. 5

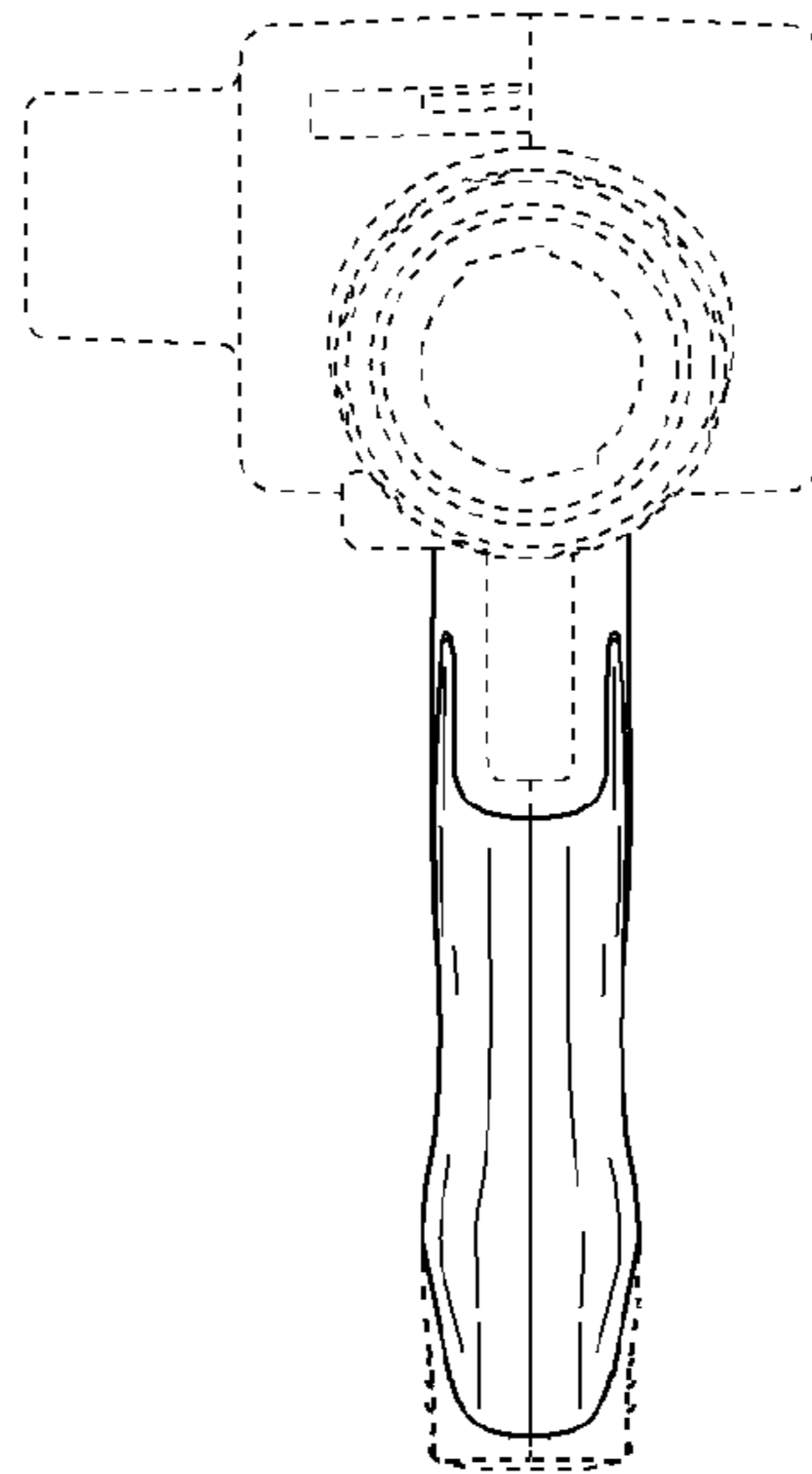


FIG. 6

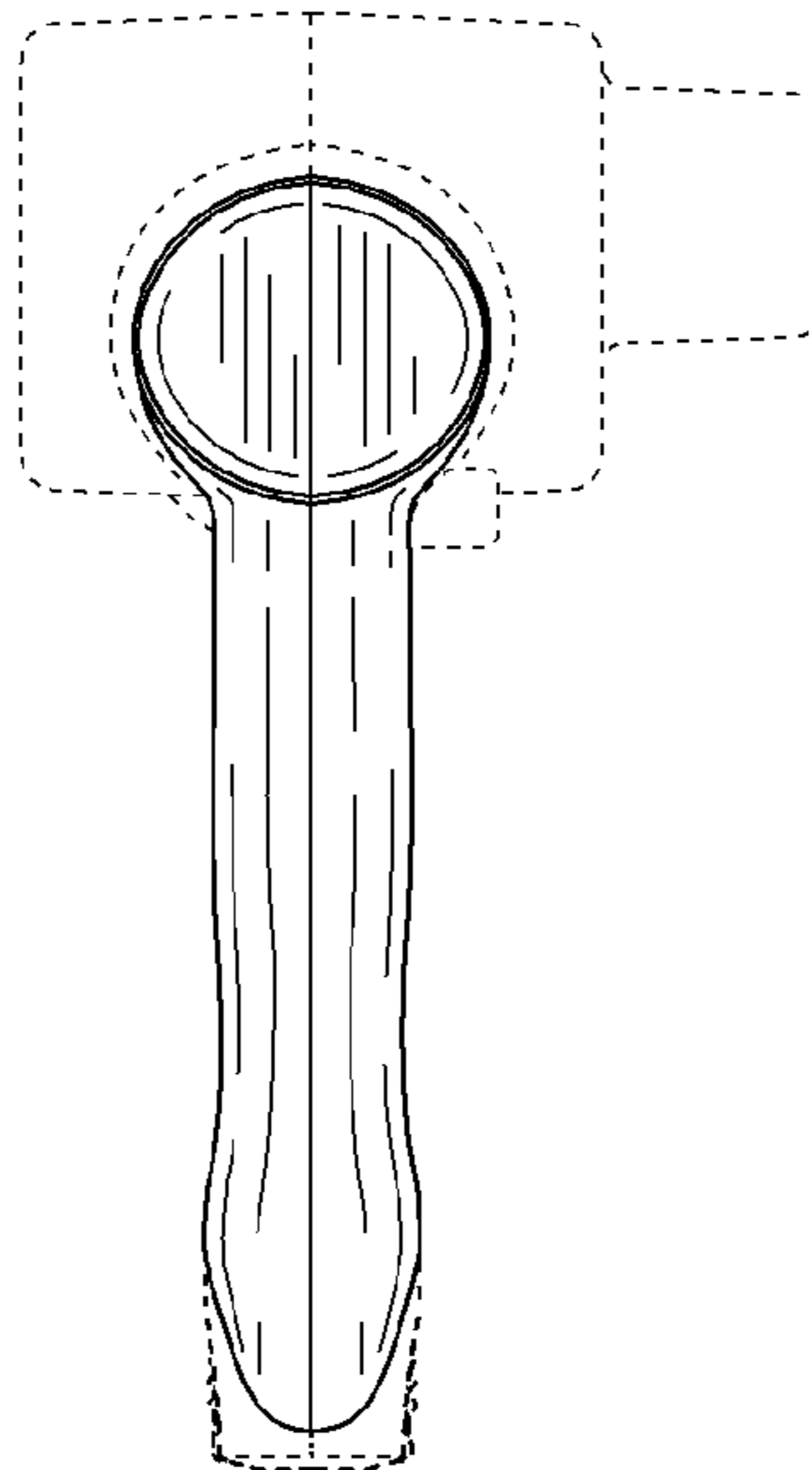


FIG. 7

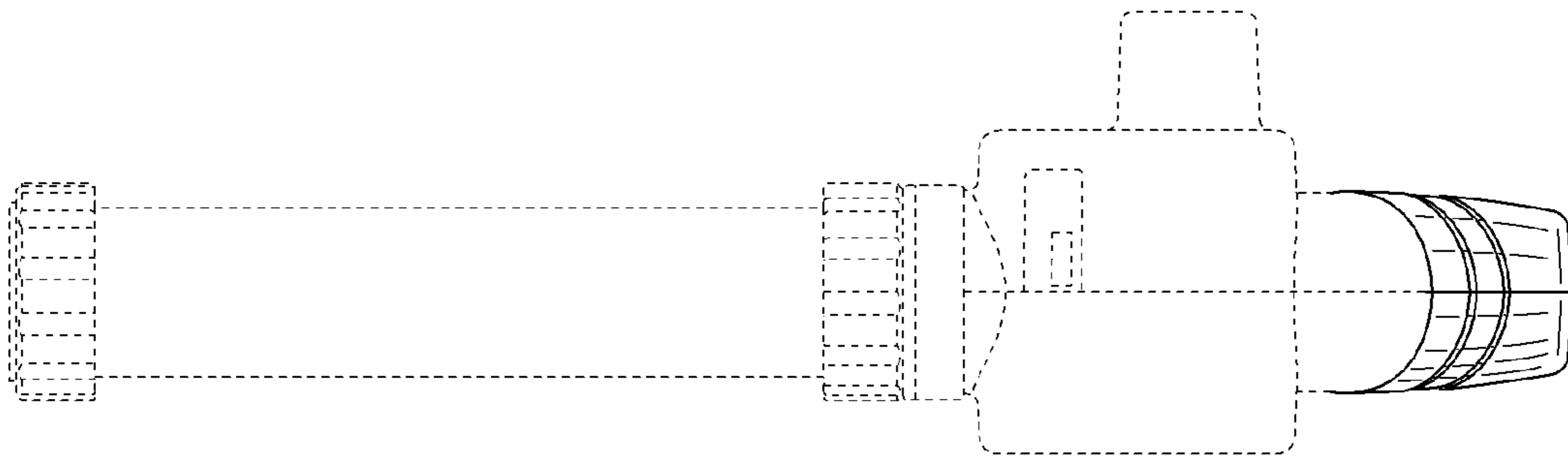


FIG. 8

