



US00D706095S

(12) **United States Design Patent**  
**Evans**

(10) **Patent No.:** **US D706,095 S**  
(45) **Date of Patent:** **\*\* Jun. 3, 2014**

(54) **LATERAL SUPPORT ARM FOR ATTACHMENT TO AN AGRICULTURAL STAKE**

(71) Applicant: **Donald L. Evans**, Madison, WI (US)

(72) Inventor: **Donald L. Evans**, Madison, WI (US)

(\*\*) Term: **14 Years**

(21) Appl. No.: **29/442,960**

(22) Filed: **Jun. 20, 2013**

(51) **LOC (10) Cl.** ..... **08-01**

(52) **U.S. Cl.**  
USPC ..... **D8/1**

(58) **Field of Classification Search**  
USPC ..... D8/1; 47/43-47; 248/548, 156;  
D21/840  
See application file for complete search history.

(56) **References Cited**

U.S. PATENT DOCUMENTS

D256,767	S	*	9/1980	Irelan	.....	D8/1
5,054,236	A	*	10/1991	Sands	.....	47/79
5,076,009	A	*	12/1991	Cibor	.....	47/40.5
D362,356	S	*	9/1995	Nicholas	.....	D6/417
5,473,838	A	*	12/1995	Denbigh	.....	47/40.5
D634,505	S	*	3/2011	Leviner	.....	D99/17
D684,024	S	*	6/2013	Hoffman et al.	.....	D8/1
D684,440	S	*	6/2013	Hoffman et al.	.....	D8/1

\* cited by examiner

Primary Examiner — Sheryl Lane

(74) *Attorney, Agent, or Firm* — George W. Wasson

(57) **CLAIM**

The ornamental design for lateral support arm for attachment to an agricultural stake, as shown and described.

**DESCRIPTION**

FIG. 1 is a side elevation view of a lateral support arm for attachment to an agricultural stake.

FIG. 2 is a side elevation view, from the side opposite to the view of FIG. 1, of a lateral support arm for attachment to an agricultural stake.

FIG. 3 is an elevation view of the right side end of FIG. 1 or FIG. 2.

FIG. 4 is an elevation view of the left side end of FIG. 1 or FIG. 2.

FIG. 5 is a top plan view of a lateral support arm for attachment to an agricultural stake as shown in FIG. 1 or FIG. 2.

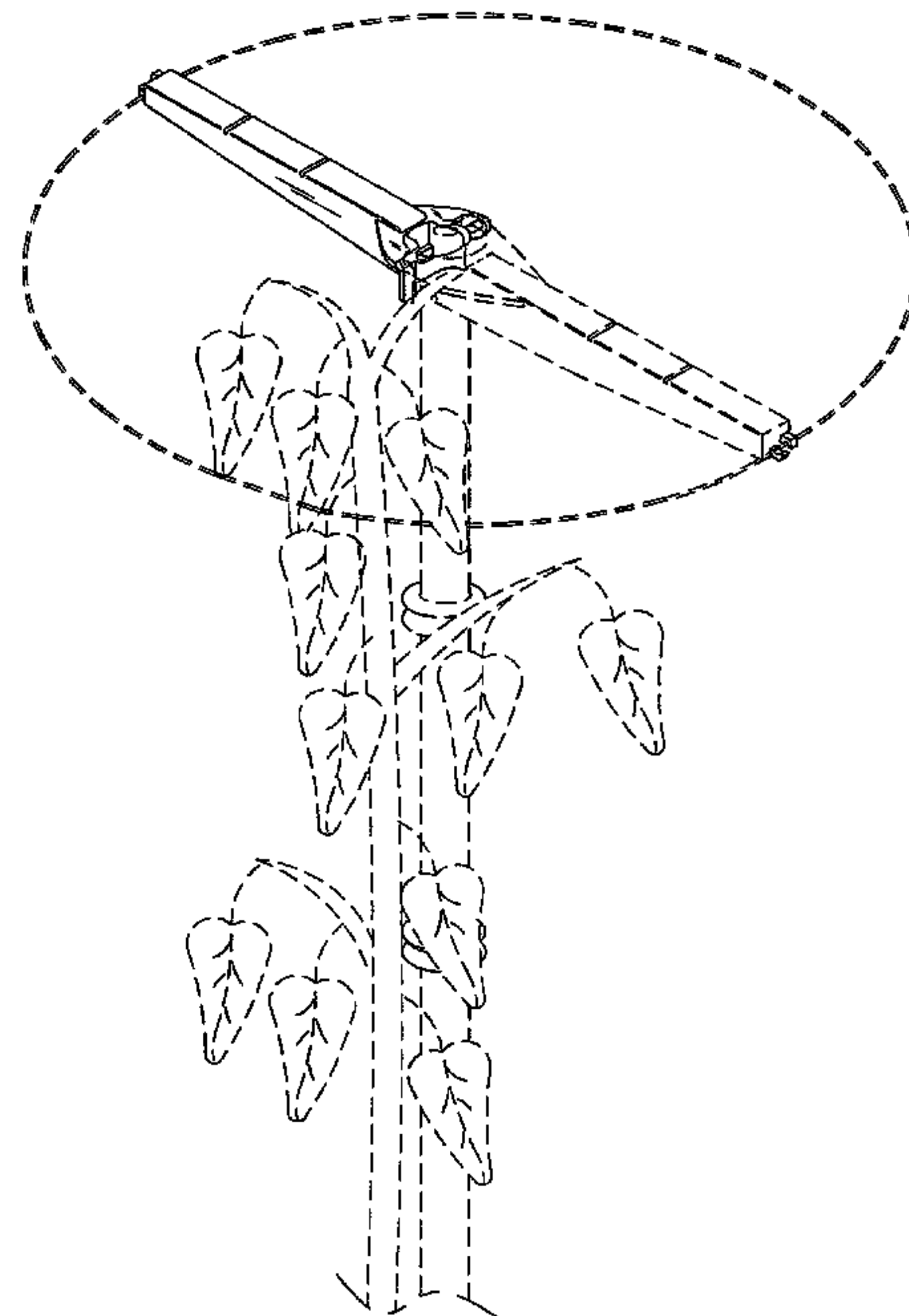
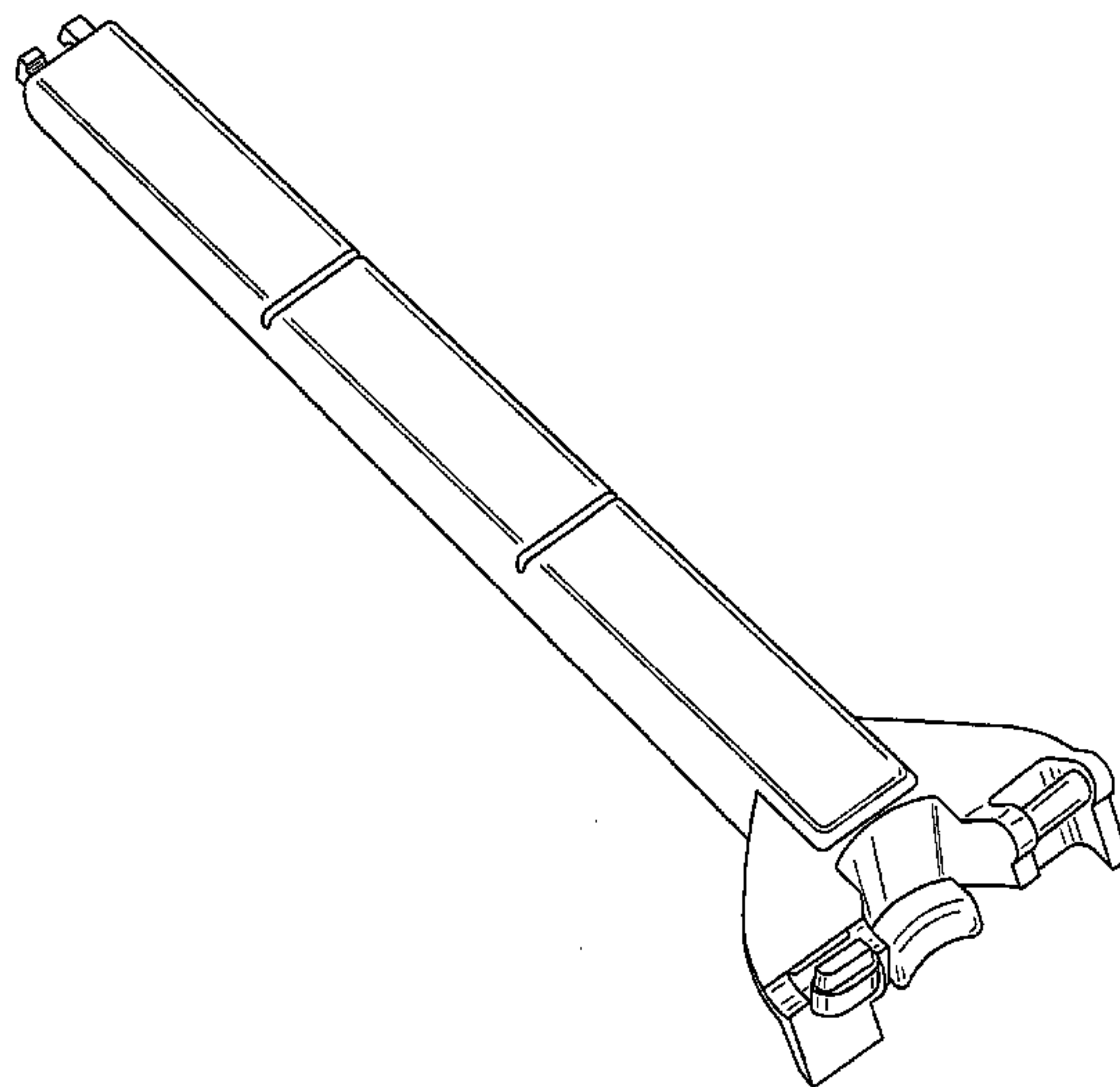
FIG. 6 is a bottom plan view of a lateral support arm for attachment to an agricultural stake as shown in FIG. 1 or FIG. 2.

FIG. 7 is an isometric view of the lateral support arm for attachment to an agricultural stake as shown in FIGS. 1-6; and,

FIG. 8 is an environmental perspective view of the lateral support arms for attachment to an agricultural stake shown in FIGS. 1-7 illustrating in full lines the attachment of two lateral arms to each other and to an agricultural stake (shown in phantom) and illustrating possible additional structures (such as a circular trellis) at the ends of the support arms in operational alignment with possible agricultural elements (shown in phantom).

The broken lines represent environment and portions of the article, and form no part of the claimed design.

**1 Claim, 5 Drawing Sheets**



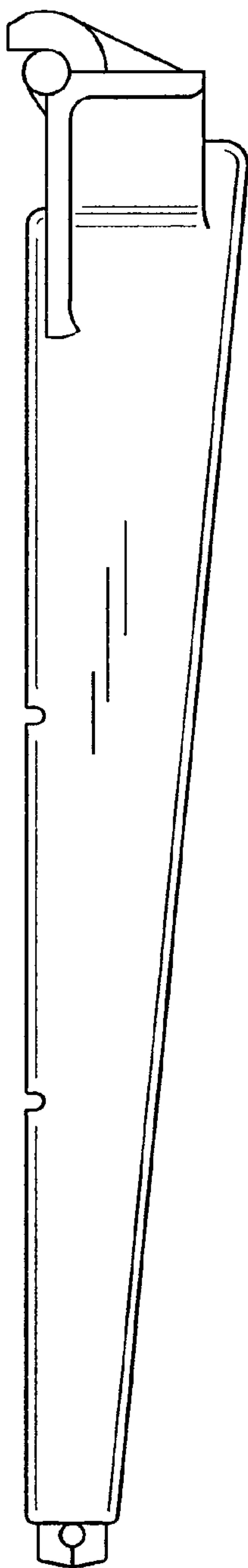


FIG. 1

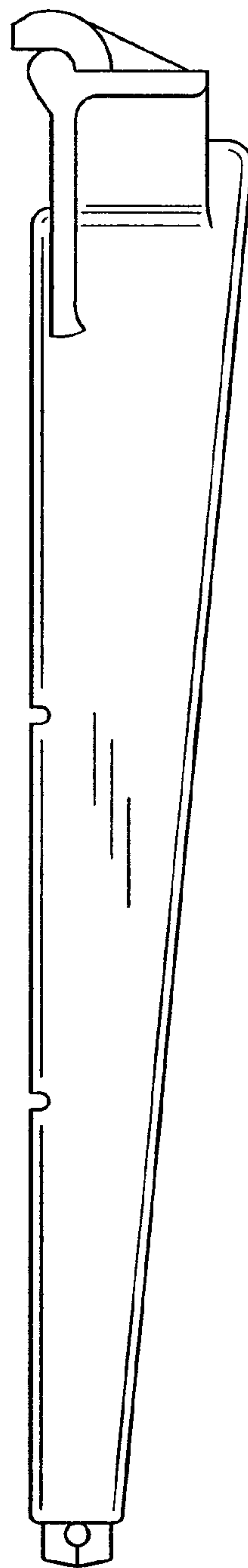


FIG. 2

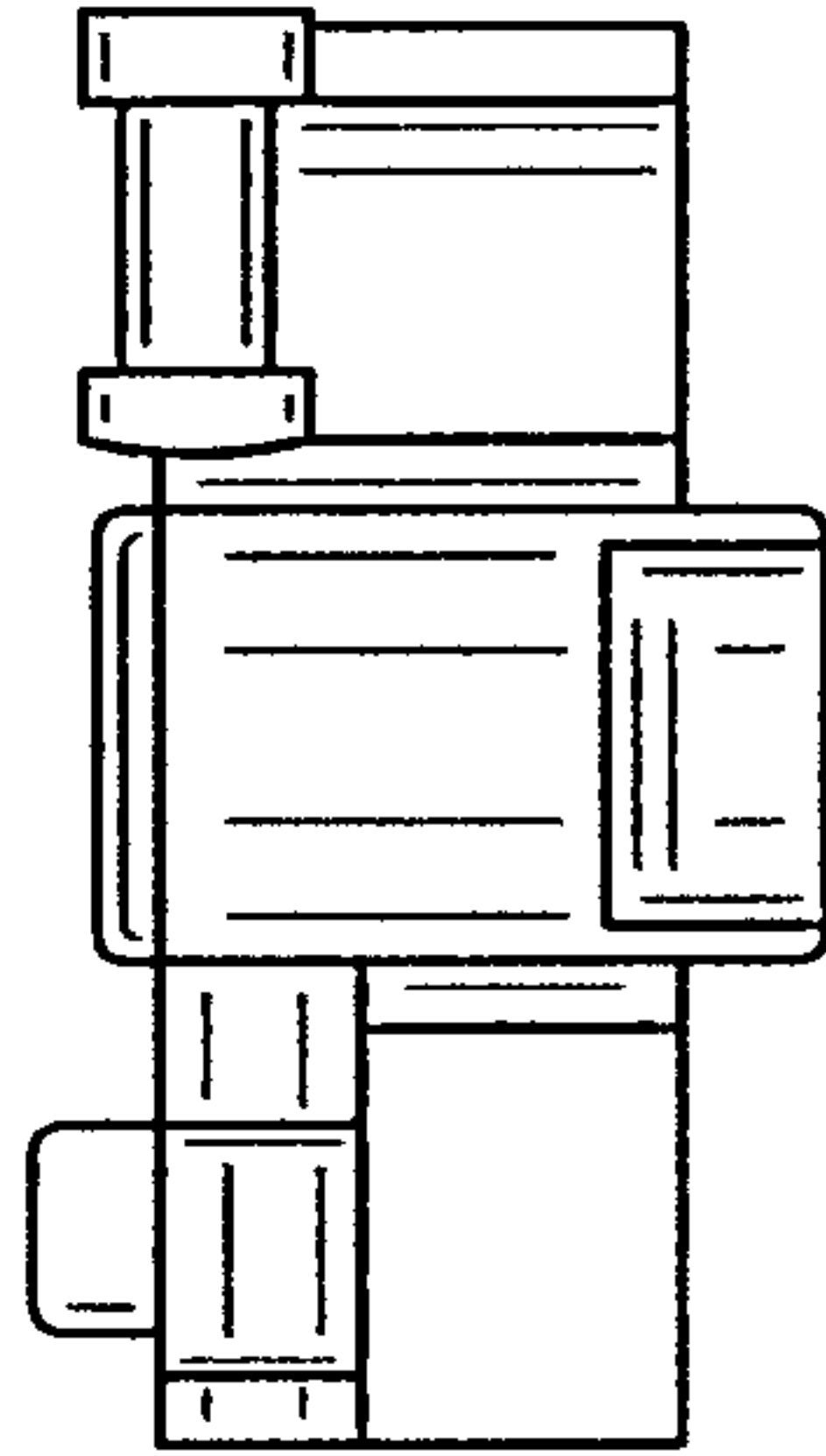


FIG. 4

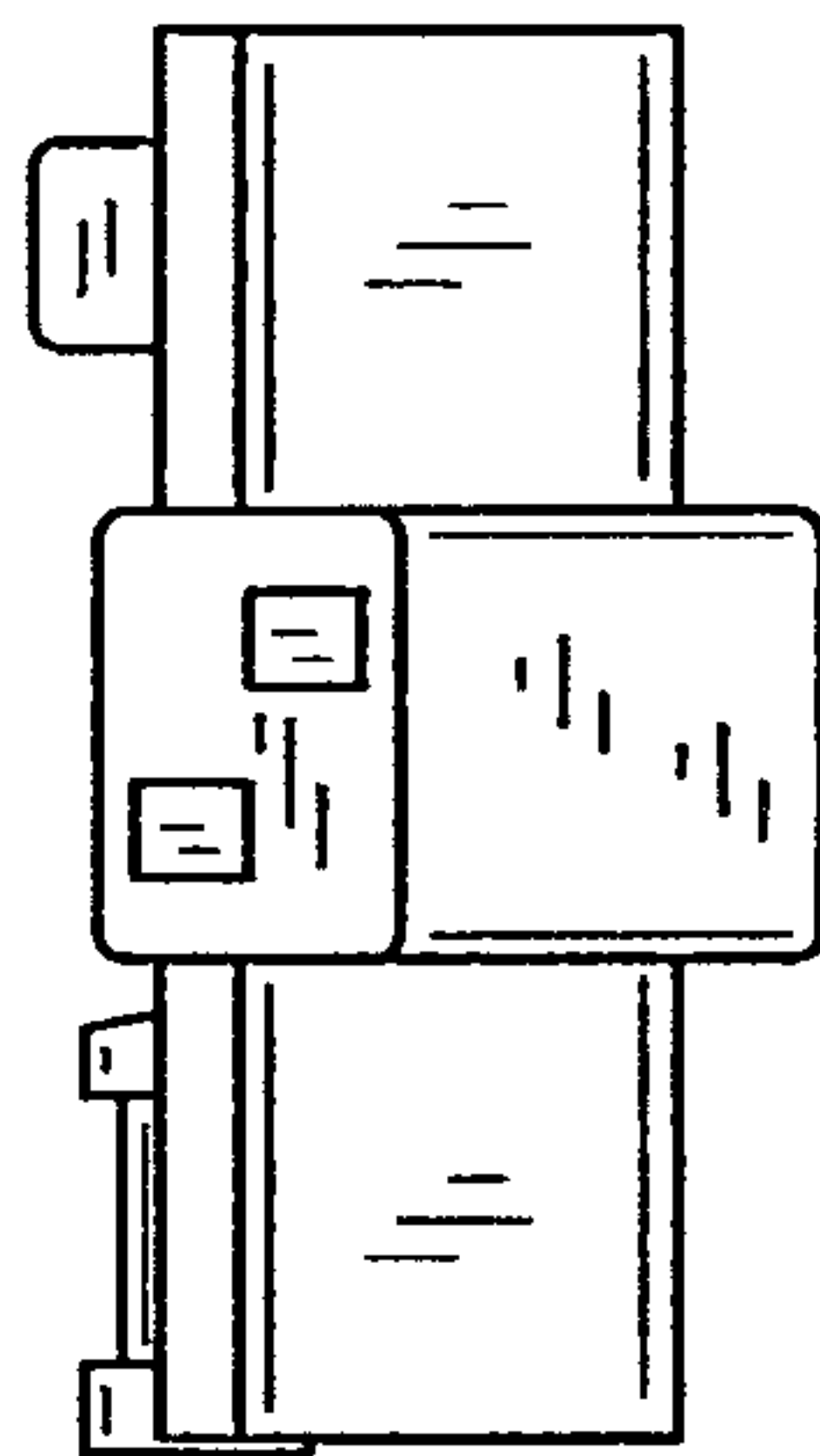


FIG. 3

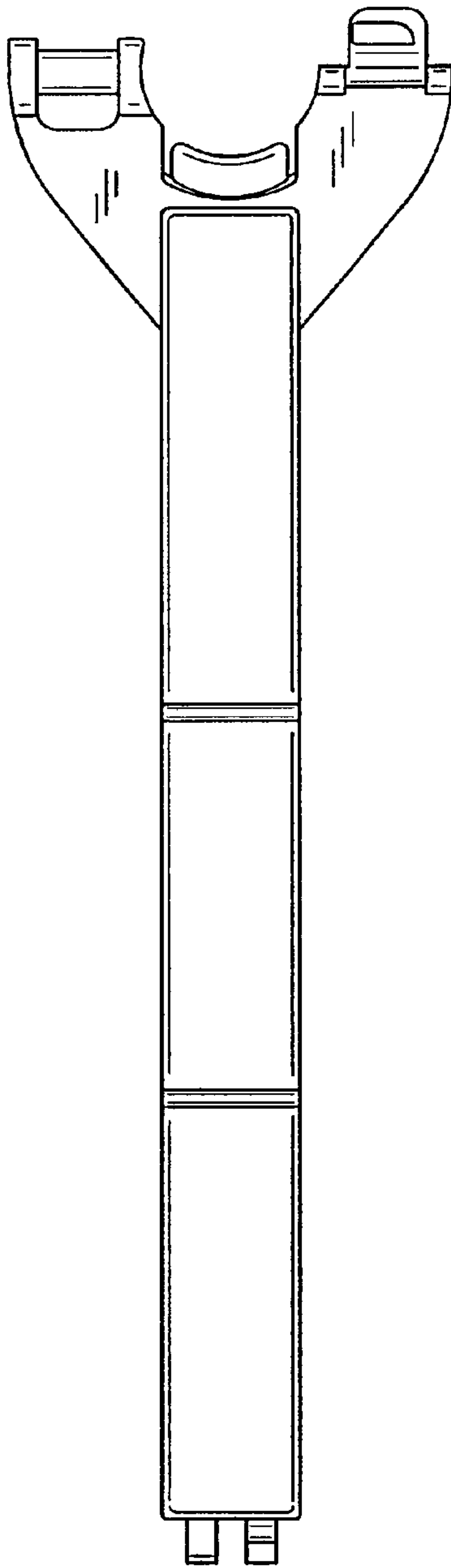


FIG. 5

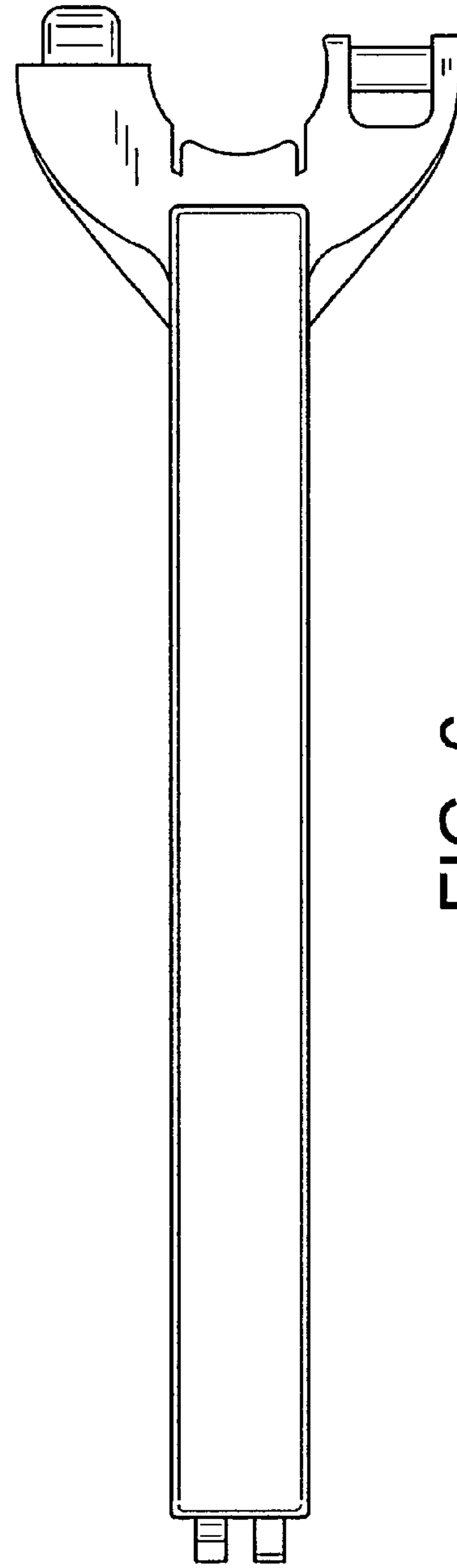


FIG. 6

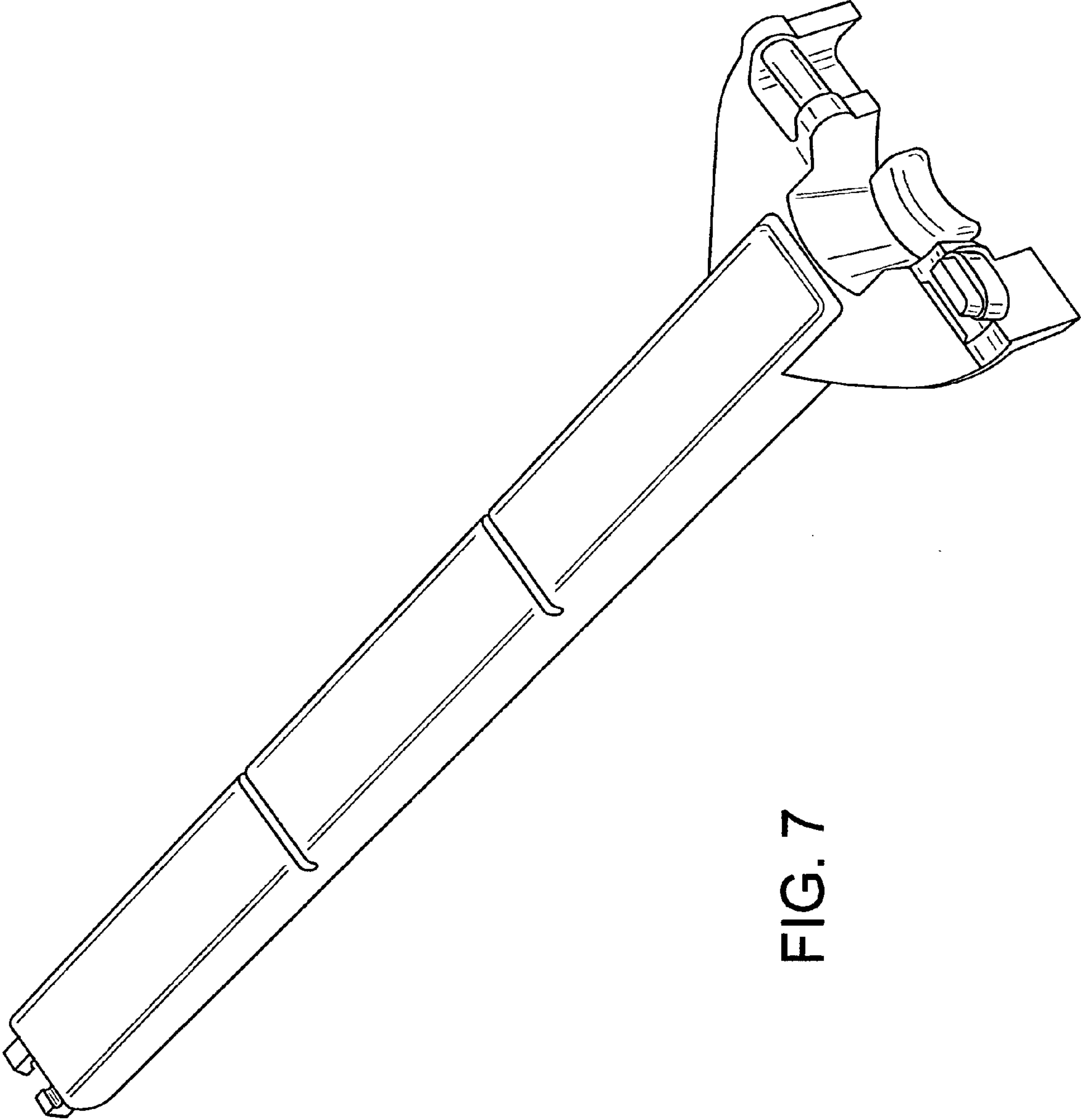


FIG. 7

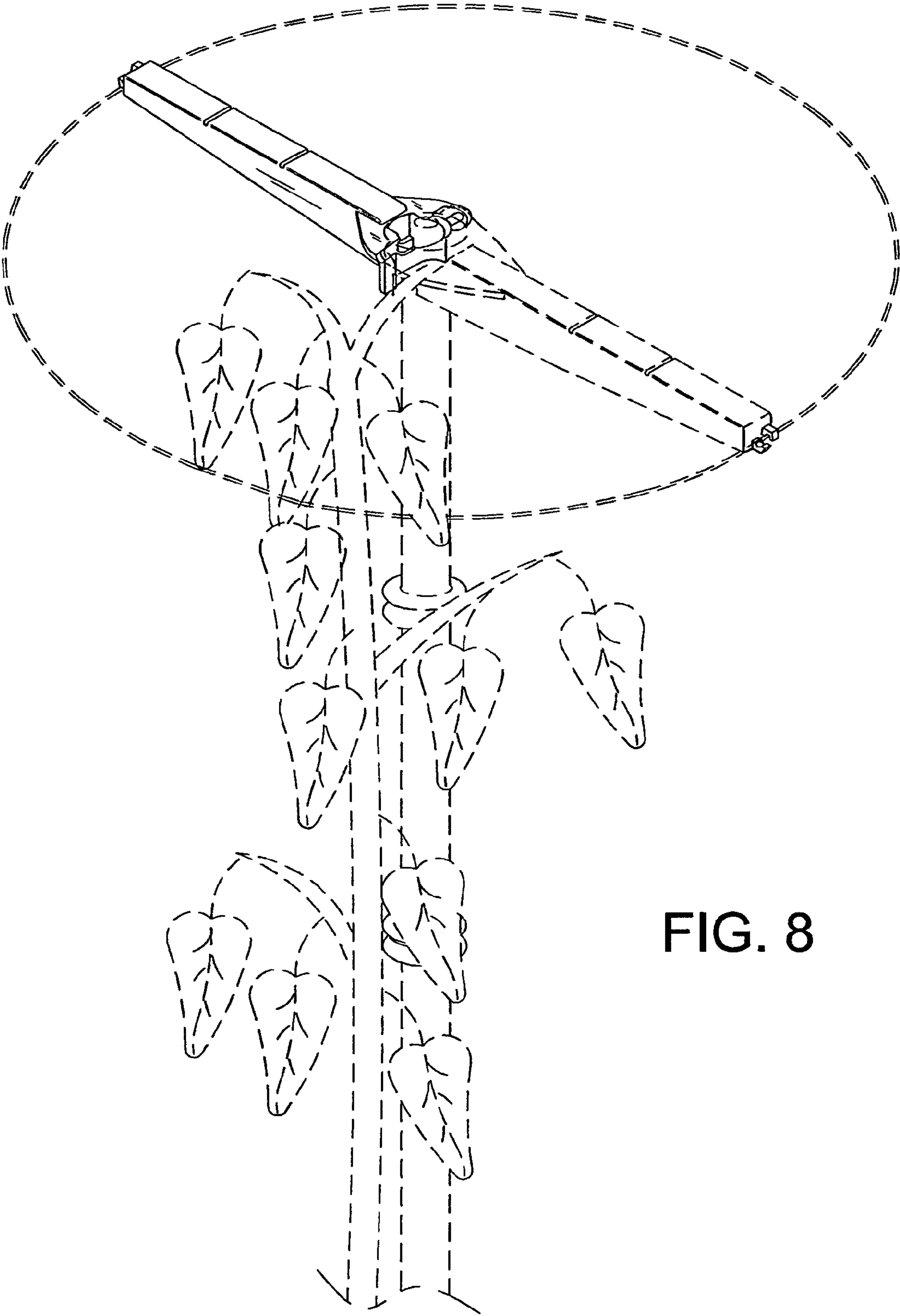


FIG. 8