



US00D706094S

(12) **United States Design Patent**  
**Griffin et al.**

(10) **Patent No.:** **US D706,094 S**  
(45) **Date of Patent:** **\*\* Jun. 3, 2014**

(54) **CAKE SLICE SPATULA**  
(71) Applicants: **Christopher Griffin**, Hoschton, GA  
(US); **Stephanie Griffin**, Hoschton, GA  
(US)

(72) Inventors: **Christopher Griffin**, Hoschton, GA  
(US); **Stephanie Griffin**, Hoschton, GA  
(US)

(\*\*) Term: **14 Years**

(21) Appl. No.: **29/447,483**

(22) Filed: **Mar. 4, 2013**

(51) **LOC (10) Cl.** ..... **07-04**

(52) **U.S. Cl.**  
USPC ..... **D7/693**; D7/688

(58) **Field of Classification Search**  
USPC ..... D7/649, 642, 680-696; 30/114, 124,  
30/140; 7/113, 148; 294/7, 8; 15/236.02,  
15/236.05

See application file for complete search history.

(56) **References Cited**

**U.S. PATENT DOCUMENTS**

2,502,982 A \* 4/1950 Norman ..... 30/122  
2,573,577 A \* 10/1951 Koponen ..... 294/173  
2,841,868 A 7/1958 O'Brien

2,845,705 A \* 8/1958 Jenkinson ..... 30/122  
3,753,587 A \* 8/1973 Godlewski ..... 294/7  
3,758,143 A \* 9/1973 Godlewski ..... 294/8  
4,114,265 A \* 9/1978 Bailey ..... 30/122  
4,847,998 A 7/1989 Colozzi et al.  
7,044,518 B2 \* 5/2006 Lang et al. .... 294/7  
D592,919 S \* 5/2009 Oliwa ..... D7/688

\* cited by examiner

*Primary Examiner* — Terry Wallace

(74) *Attorney, Agent, or Firm* — Crossley Patent Law;  
Micah C. Gunn

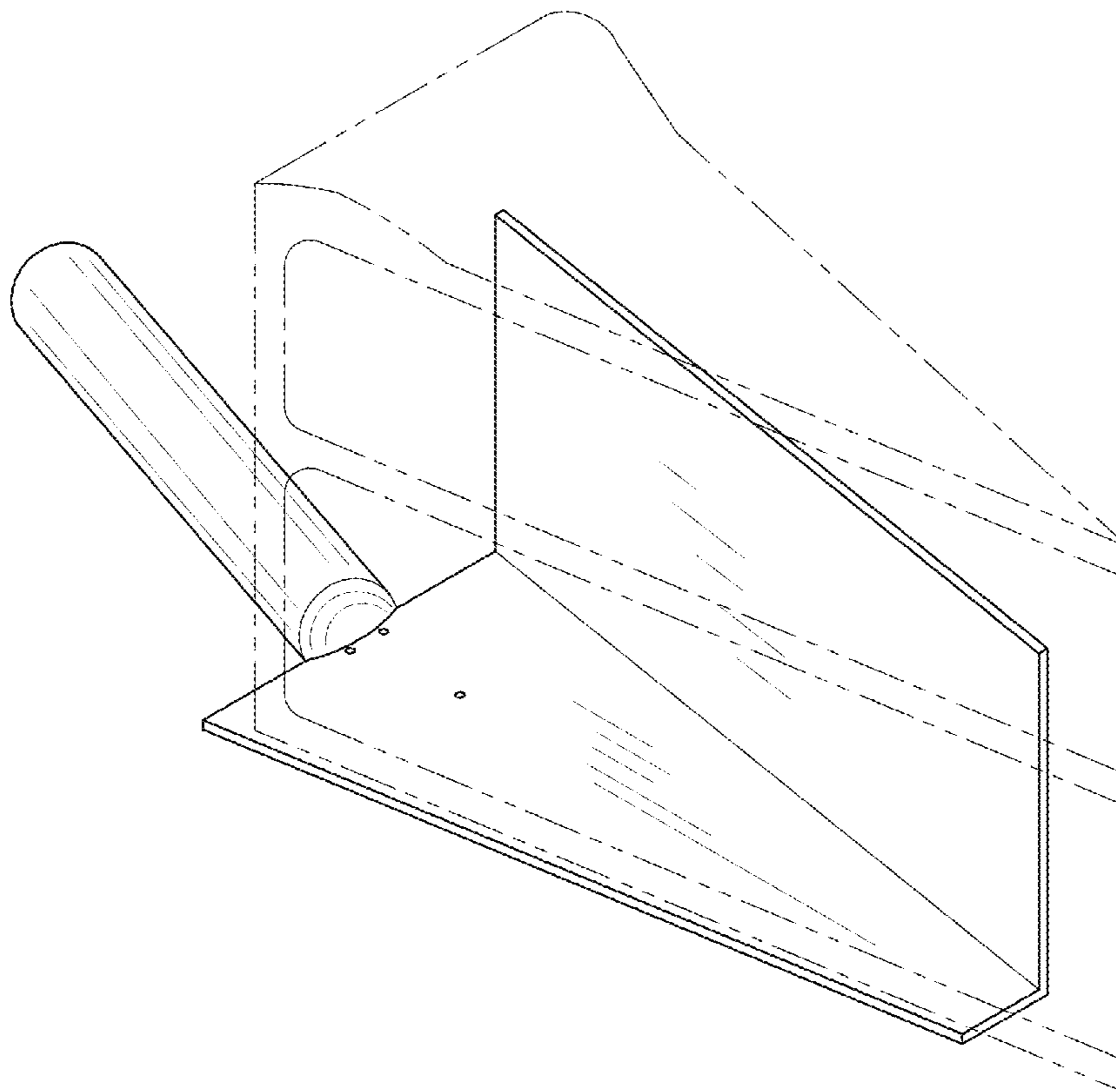
(57) **CLAIM**

The ornamental design for a cake slice spatula, as shown and described.

**DESCRIPTION**

FIG. 1 is a right side elevation view of a cake slice spatula showing our new design;  
FIG. 2 is a left side elevation view thereof;  
FIG. 3 is a front elevation view thereof;  
FIG. 4 is a rear elevation view thereof;  
FIG. 5 is a top plan view thereof;  
FIG. 6 is a bottom plan view thereof; and,  
FIG. 7 is an isometric view thereof.  
The broken lines in FIG. 7 of the drawings depict a slice of cake as environmental subject matter only and form no part of the claimed design.

**1 Claim, 4 Drawing Sheets**



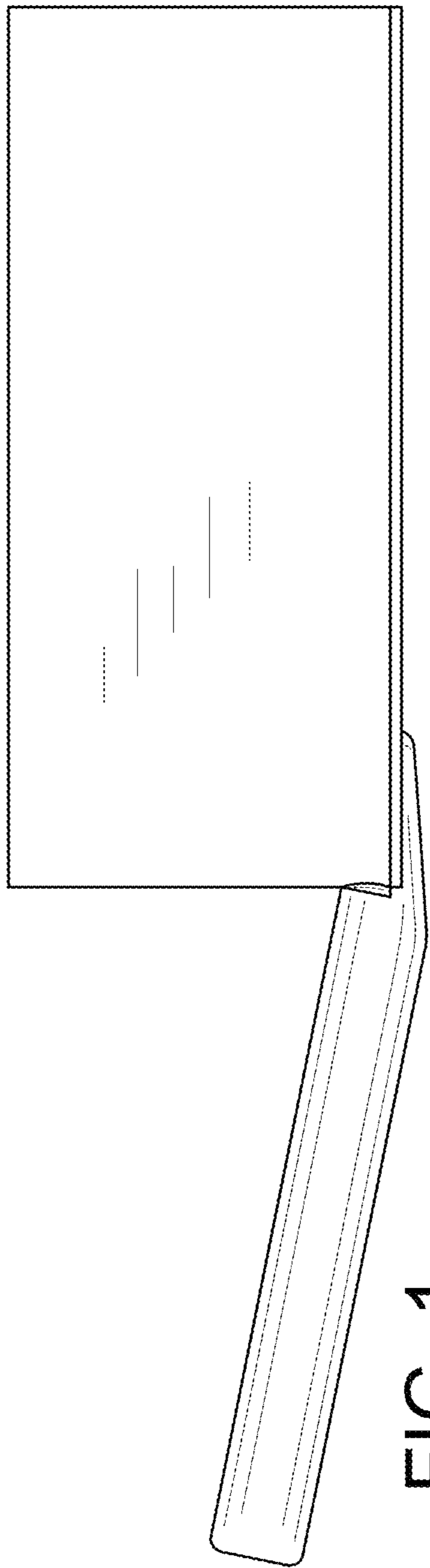


FIG. 1

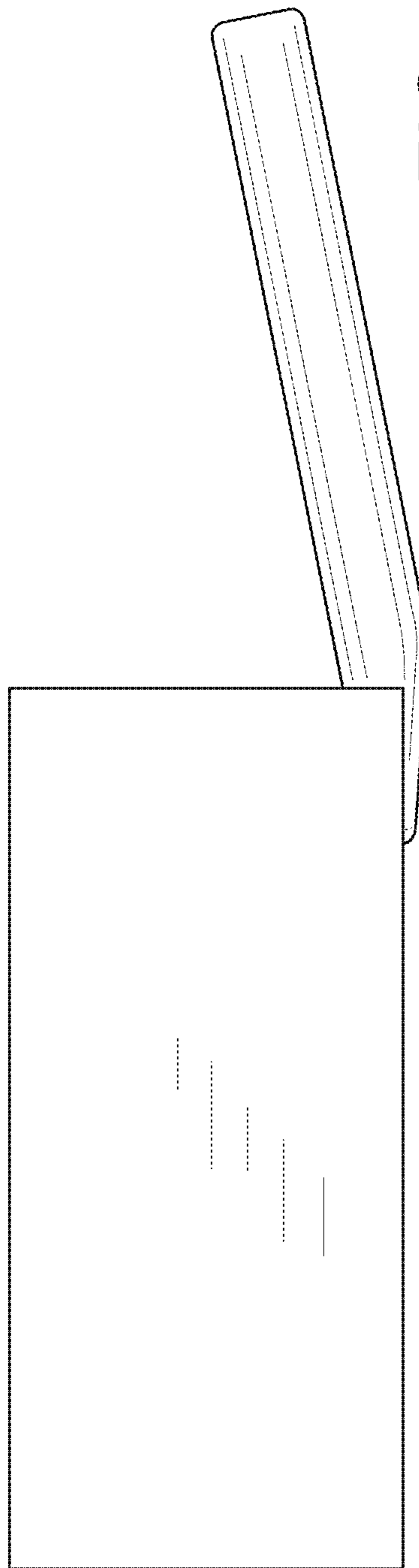


FIG. 2

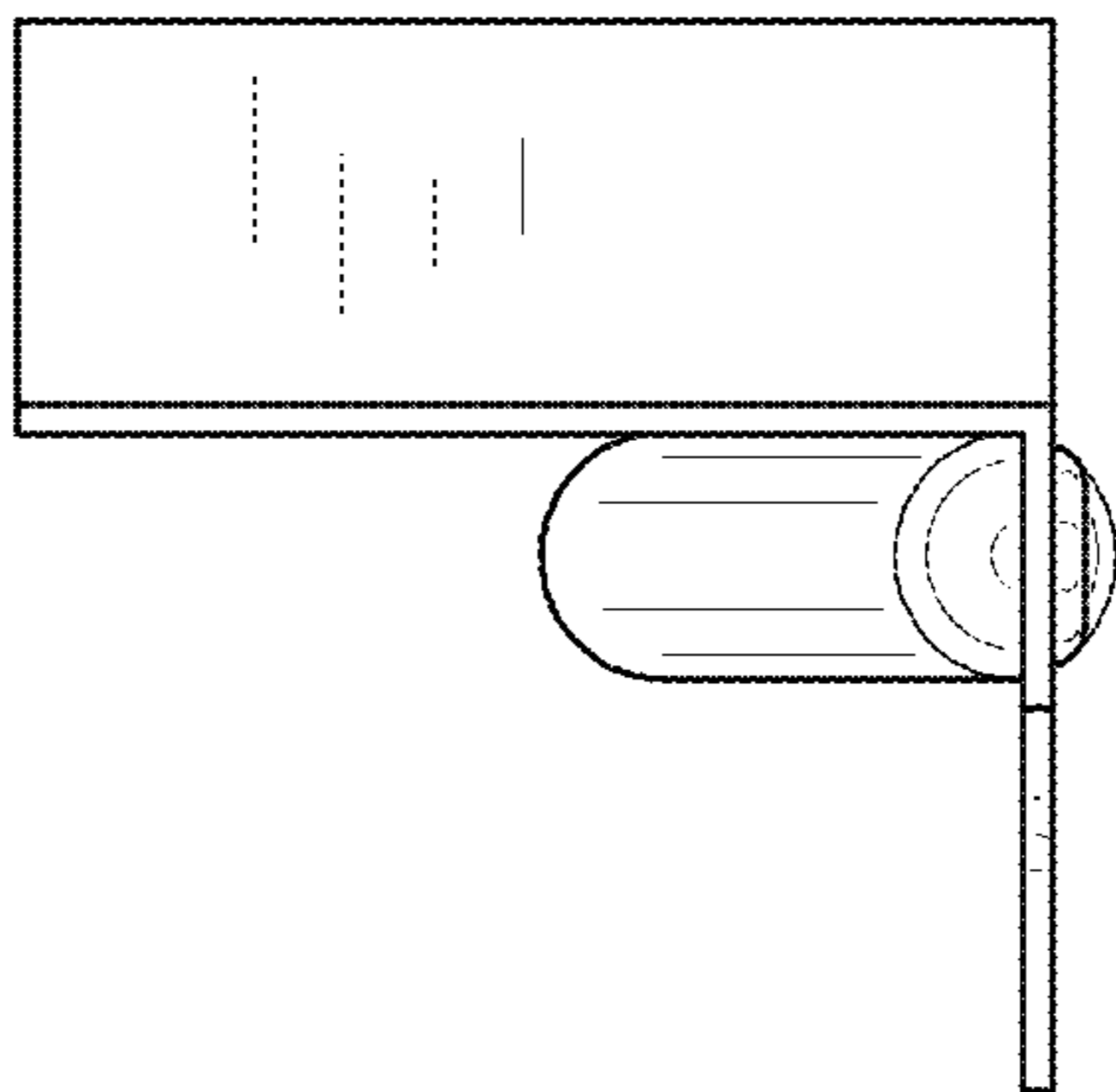


FIG. 4

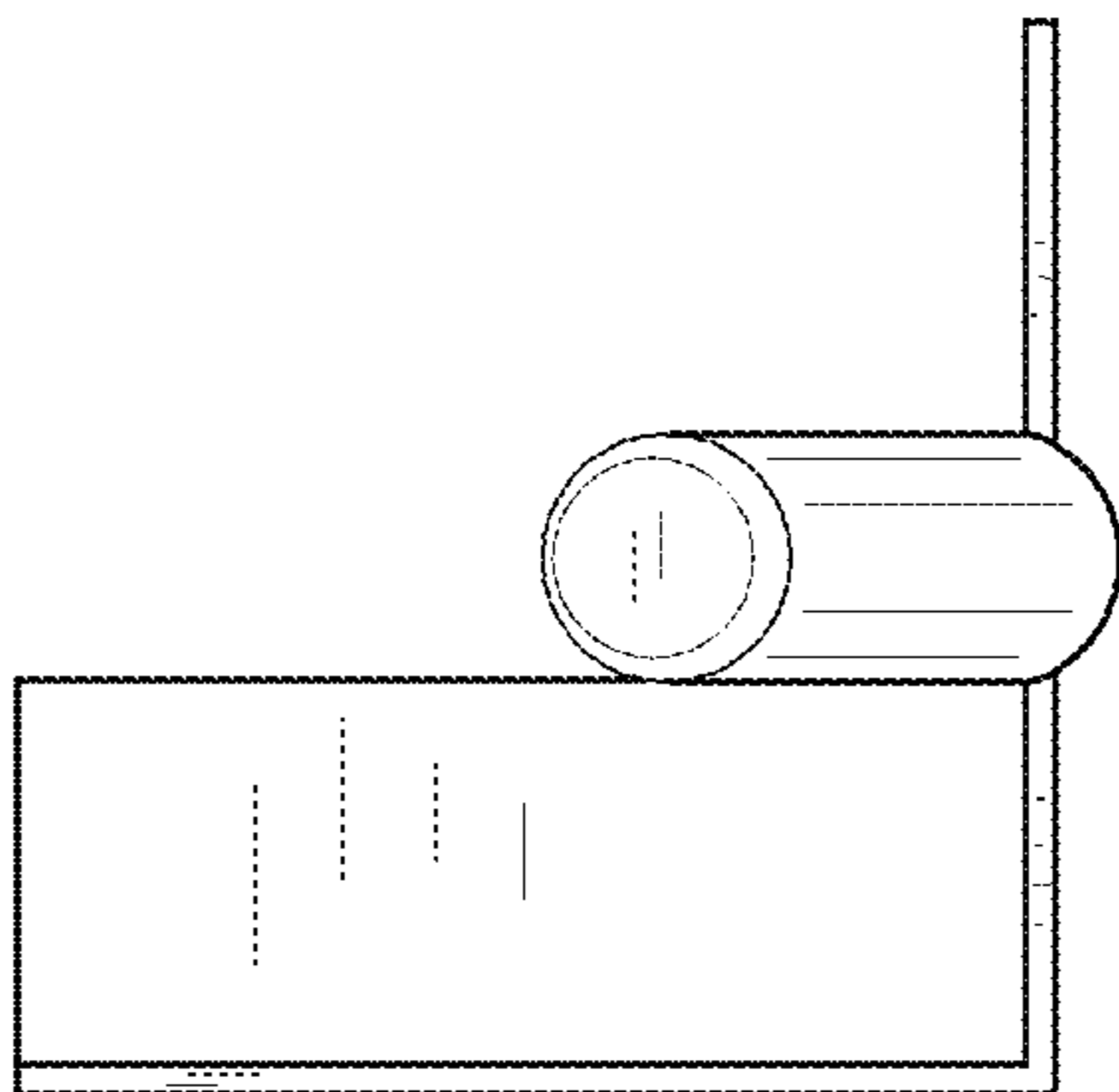
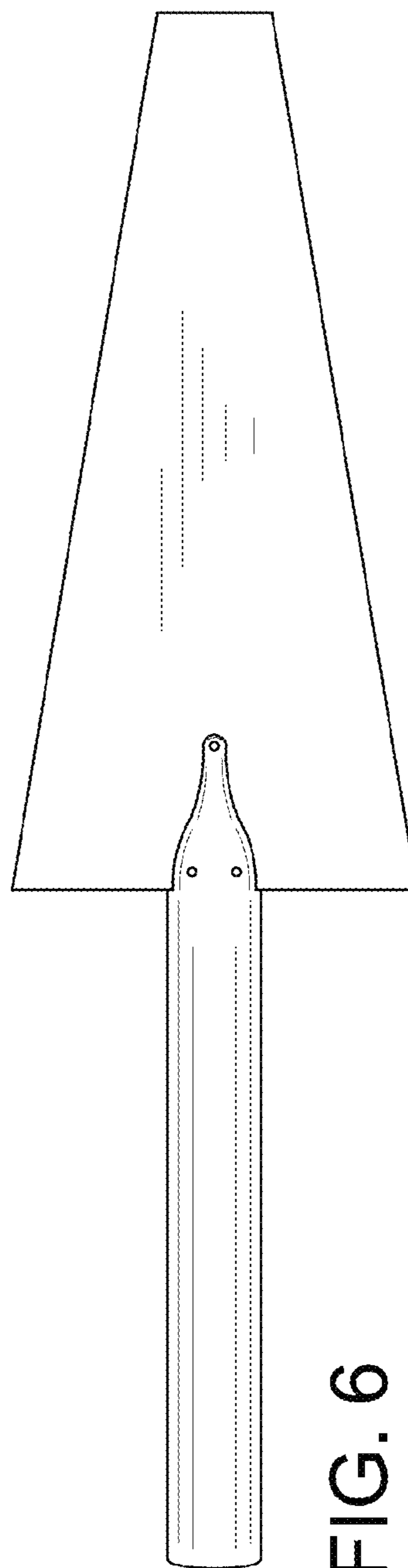
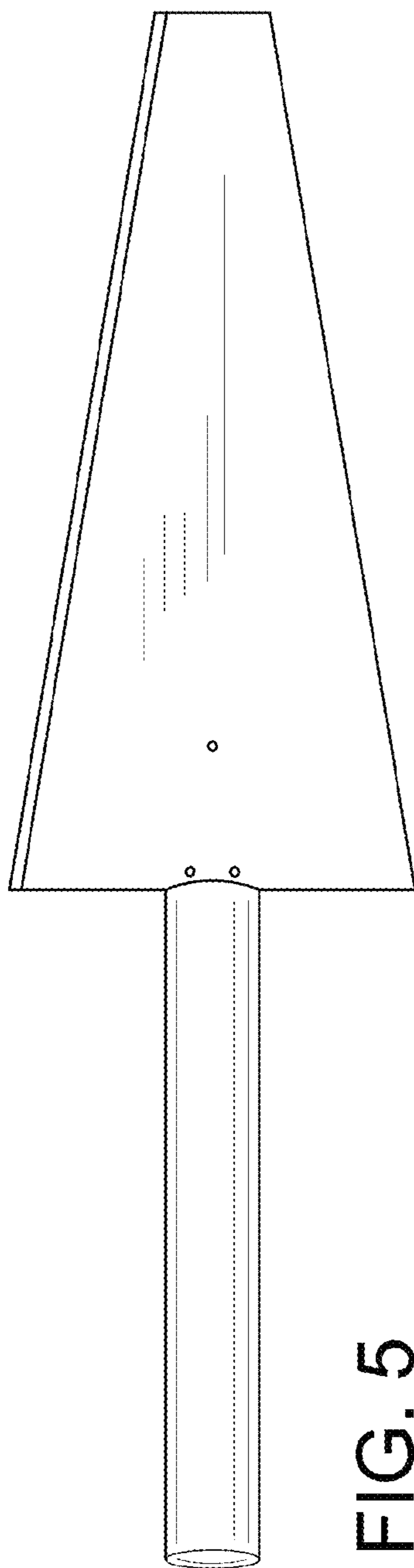


FIG. 3



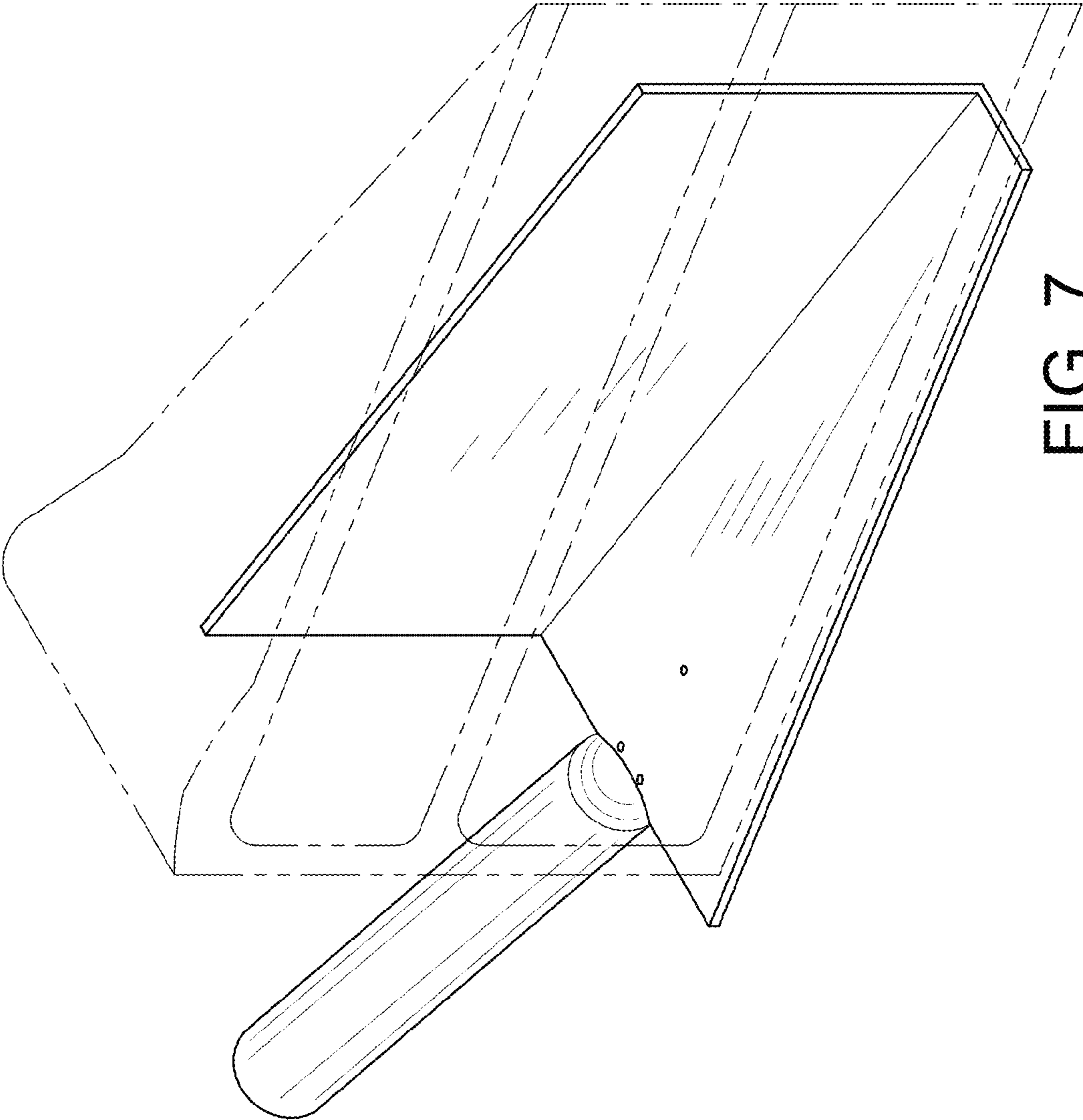


FIG. 7