



US00D706093S

(12) **United States Design Patent**  
**Wasserman**

(10) **Patent No.:** **US D706,093 S**  
(45) **Date of Patent:** **\*\* Jun. 3, 2014**

(54) **STAR SPANGLED SPATULA**

(56) **References Cited**

- (71) Applicant: **The Hereafter, Inc.**, New York, NY (US)
- (72) Inventor: **Jacob Riley Wasserman**, Bridgeton, NJ (US)
- (73) Assignee: **The Hereafter, Inc.**, Columbus, OH (US)
- (\*\*) Term: **14 Years**
- (21) Appl. No.: **29/436,357**
- (22) Filed: **Nov. 5, 2012**

U.S. PATENT DOCUMENTS

D491,424	S	*	6/2004	Rosenthal	.....	D7/692
D493,679	S	*	8/2004	Metzger-Boehringer	.....	D7/692
D525,836	S	*	8/2006	Moore	.....	D7/689
D545,645	S	*	7/2007	Lion et al.	.....	D7/692
2003/0234547	A1	*	12/2003	Bielecki et al.	.....	294/7
2006/0162199	A1	*	7/2006	Kang et al.	.....	294/8
2006/0255605	A1	*	11/2006	Yu	.....	294/7
2008/0209738	A1	*	9/2008	Laufer	.....	294/7

\* cited by examiner

*Primary Examiner* — Terry Wallace

(74) *Attorney, Agent, or Firm* — Ted Sabety, Esq.; Sabety + Associates PLLC

**Related U.S. Application Data**

- (63) Continuation of application No. 29/435,285, filed on Oct. 22, 2012.
  - (51) **LOC (10) Cl.** ..... **07-04**
  - (52) **U.S. Cl.**  
USPC ..... **D7/689**
  - (58) **Field of Classification Search**  
USPC ..... D7/669, 368, 391, 692, 684; 294/7, 8;  
7/110, 170
- See application file for complete search history.

(57) **CLAIM**

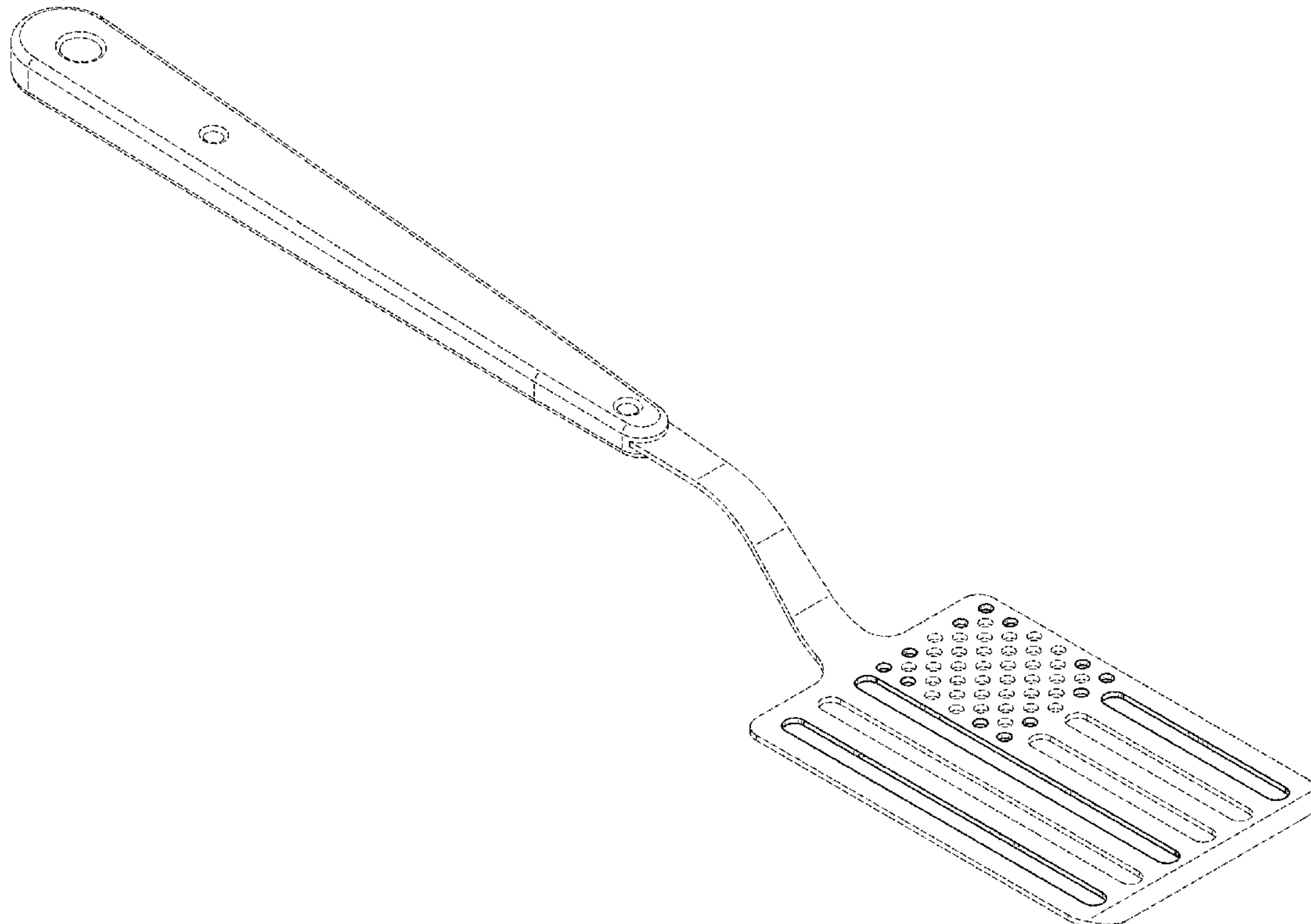
The ornamental design of a star spangled spatula, as shown and described.

**DESCRIPTION**

FIG. 1 is a top, front, right side perspective view of a star spangled spatula showing my new design; and, FIG. 2 is a top, front, right side perspective view of an alternate embodiment.

The broken lines are for illustrative purposes only and form no part of the claimed design.

**1 Claim, 2 Drawing Sheets**



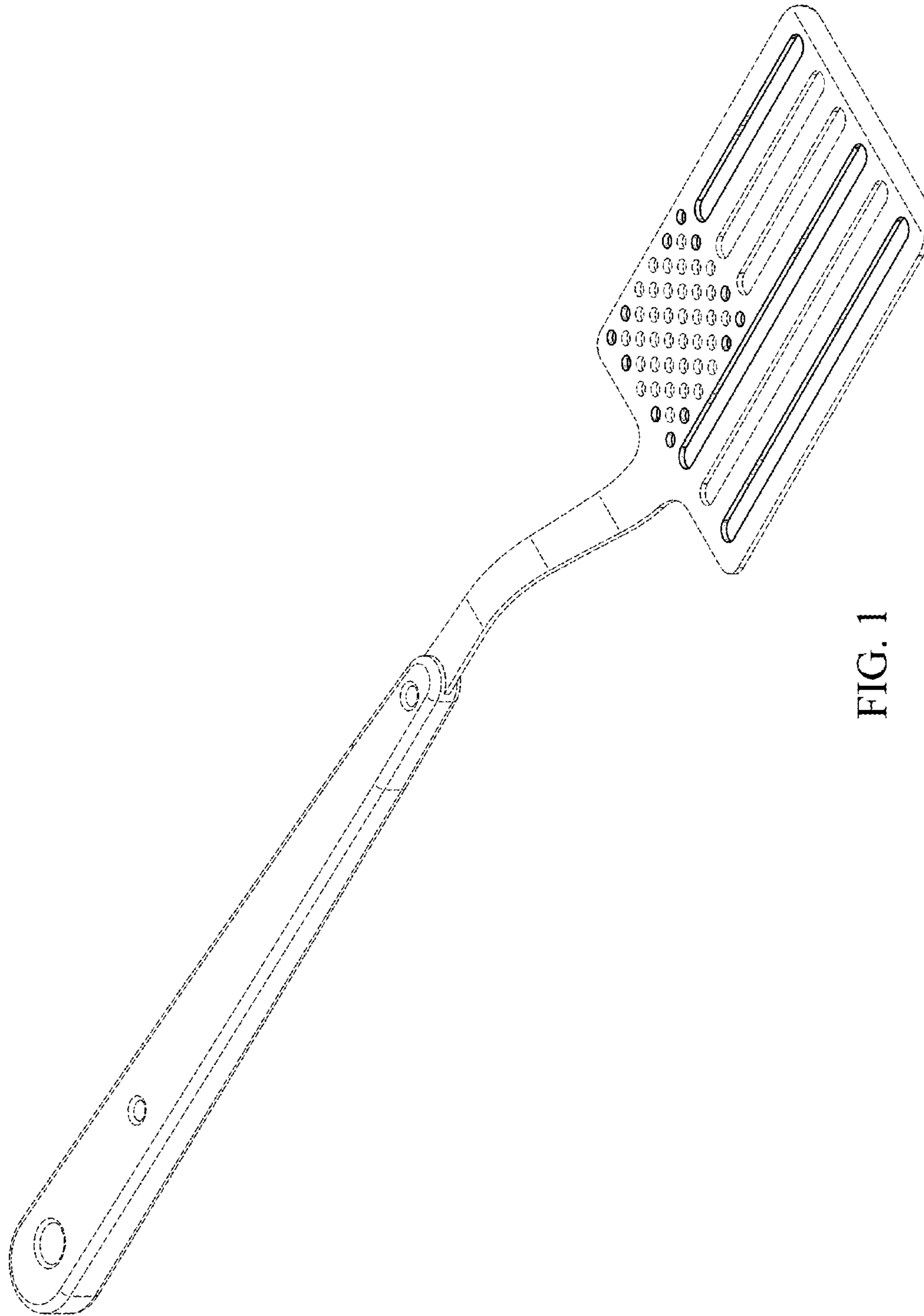


FIG. 1

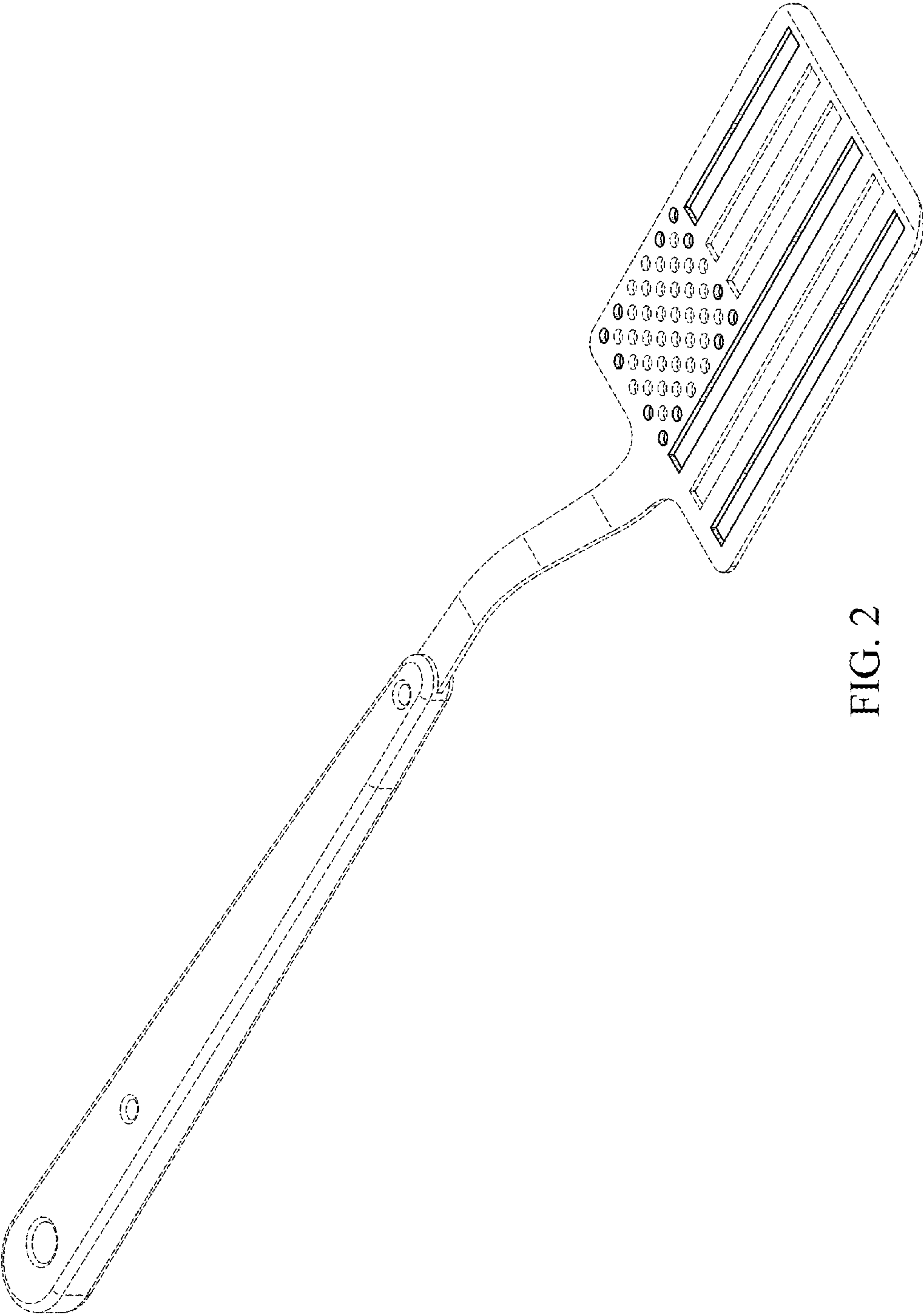


FIG. 2

UNITED STATES PATENT AND TRADEMARK OFFICE  
**CERTIFICATE OF CORRECTION**

PATENT NO. : D706,093 S  
APPLICATION NO. : 29/436357  
DATED : June 3, 2014  
INVENTOR(S) : Jacob Wasserman

Page 1 of 1

It is certified that error appears in the above-identified patent and that said Letters Patent is hereby corrected as shown below:

On the title page item 54

Title: delete “Star Spangled”, which appears before the word Spatula

On the title page item 57

Claim: delete “star spangled”, which appears before the word spatula

Description, Figure 1: delete “star spangled”, which appears before the word spatula

Signed and Sealed this  
Sixteenth Day of February, 2016



Michelle K. Lee  
*Director of the United States Patent and Trademark Office*