



US00D706086S

(12) **United States Design Patent**  
**Bagley, Jr.**

(10) **Patent No.:** **US D706,086 S**  
(45) **Date of Patent:** **\*\* Jun. 3, 2014**

- (54) **INFANT'S SPOON**
  - (71) Applicant: **Lonnie Bagley, Jr.**, Gadsden, AL (US)
  - (72) Inventor: **Lonnie Bagley, Jr.**, Gadsden, AL (US)
  - (\*\*) Term: **14 Years**
  - (21) Appl. No.: **29/460,184**
  - (22) Filed: **Jul. 9, 2013**
  - (51) **LOC (10) Cl.** ..... **07-03**
  - (52) **U.S. Cl.**  
USPC ..... **D7/654**; D7/401.2; D7/642; D7/653
  - (58) **Field of Classification Search**  
USPC ..... D7/368, 393-395, 401.2, 567, 642-646,  
D7/649-655, 660-664, 669, 675-677, 683,  
D7/688-692, 695-696; D21/450;  
30/120.1, 137, 141-143, 147-150,  
30/322-327, 329, 340, 342-344; 416/70 R,  
416/75
- See application file for complete search history.

D302,090 S *	7/1989	Bergman	.....	D7/655
D302,091 S *	7/1989	Bergman	.....	D7/655
D302,510 S	8/1989	Bergman		
D305,592 S *	1/1990	Harris et al.	.....	D7/567
D310,944 S *	10/1990	Lutzker	.....	D7/655
D404,260 S *	1/1999	Lake et al.	.....	D7/655
D404,261 S *	1/1999	Lake et al.	.....	D7/655
D407,274 S	3/1999	Lake et al.		
D437,740 S	2/2001	Manion et al.		
D554,440 S *	11/2007	Malcolm et al.	.....	D7/653
D576,451 S	9/2008	Bagley, Jr.		
D652,269 S *	1/2012	Skolnik	.....	D7/654

\* cited by examiner

*Primary Examiner* — Ricky Pham  
(74) *Attorney, Agent, or Firm* — Dale J. Ream

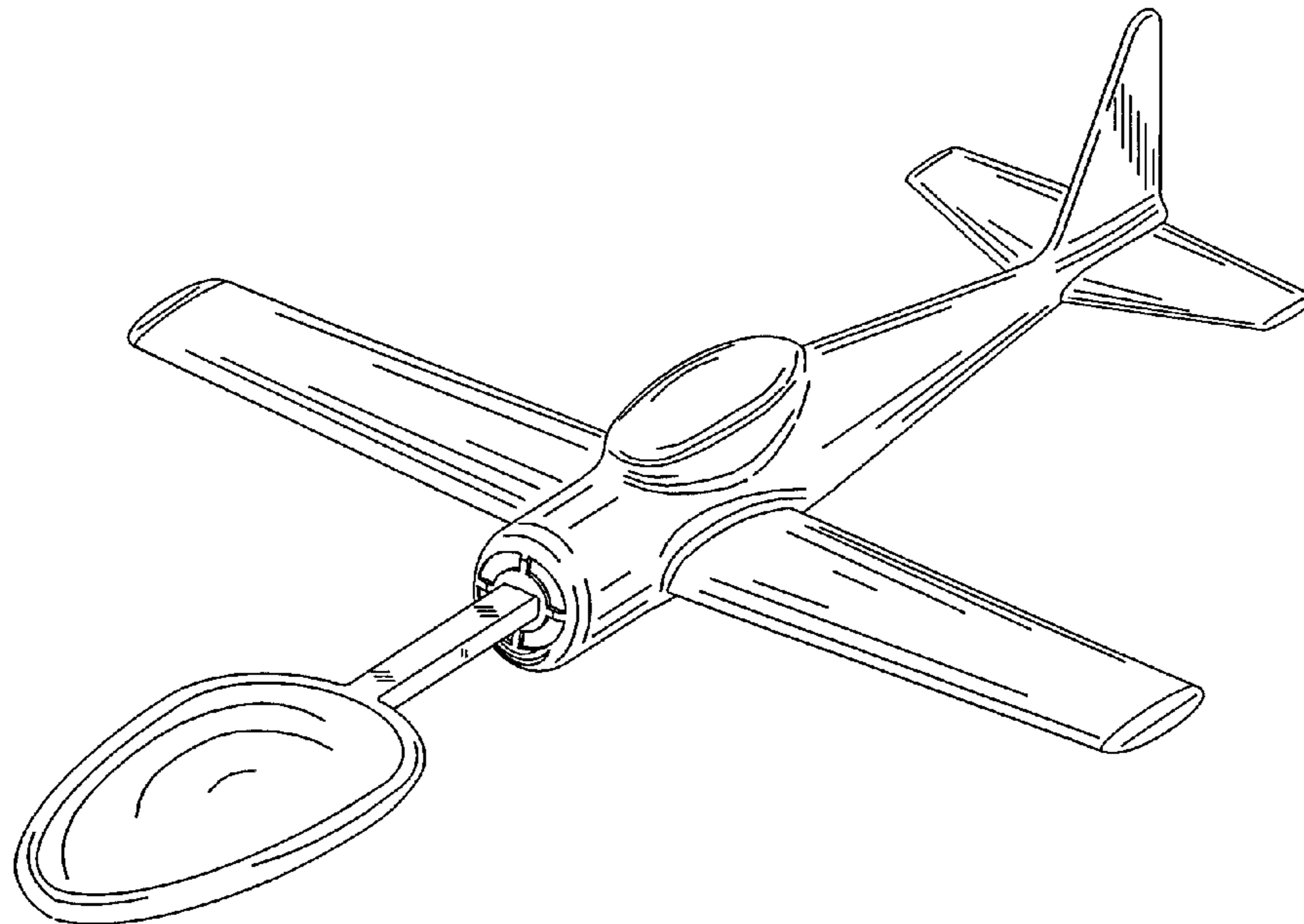
(57) **CLAIM**  
The ornamental design for a infant's spoon, as shown and described.

**DESCRIPTION**

FIG. 1 is a perspective view of a infant's spoon showing my new design;  
FIG. 2 is a front view thereof;  
FIG. 3 is a back view thereof;  
FIG. 4 is a left side view thereof;  
FIG. 5 is a right side view thereof;  
FIG. 6 is a top view thereof; and,  
FIG. 7 is a bottom view thereof.

**1 Claim, 5 Drawing Sheets**

- (56) **References Cited**  
U.S. PATENT DOCUMENTS
- |              |        |          |       |         |
|--------------|--------|----------|-------|---------|
| D149,705 S * | 5/1948 | Struck   | ..... | D21/450 |
| D166,914 S * | 6/1952 | Hepner   | ..... | D7/655  |
| D172,480 S * | 6/1954 | Silletti | ..... | D7/655  |
| D193,018 S * | 6/1962 | Larsen   | ..... | D7/655  |
| D257,757 S   | 1/1981 | Acker    |       |         |



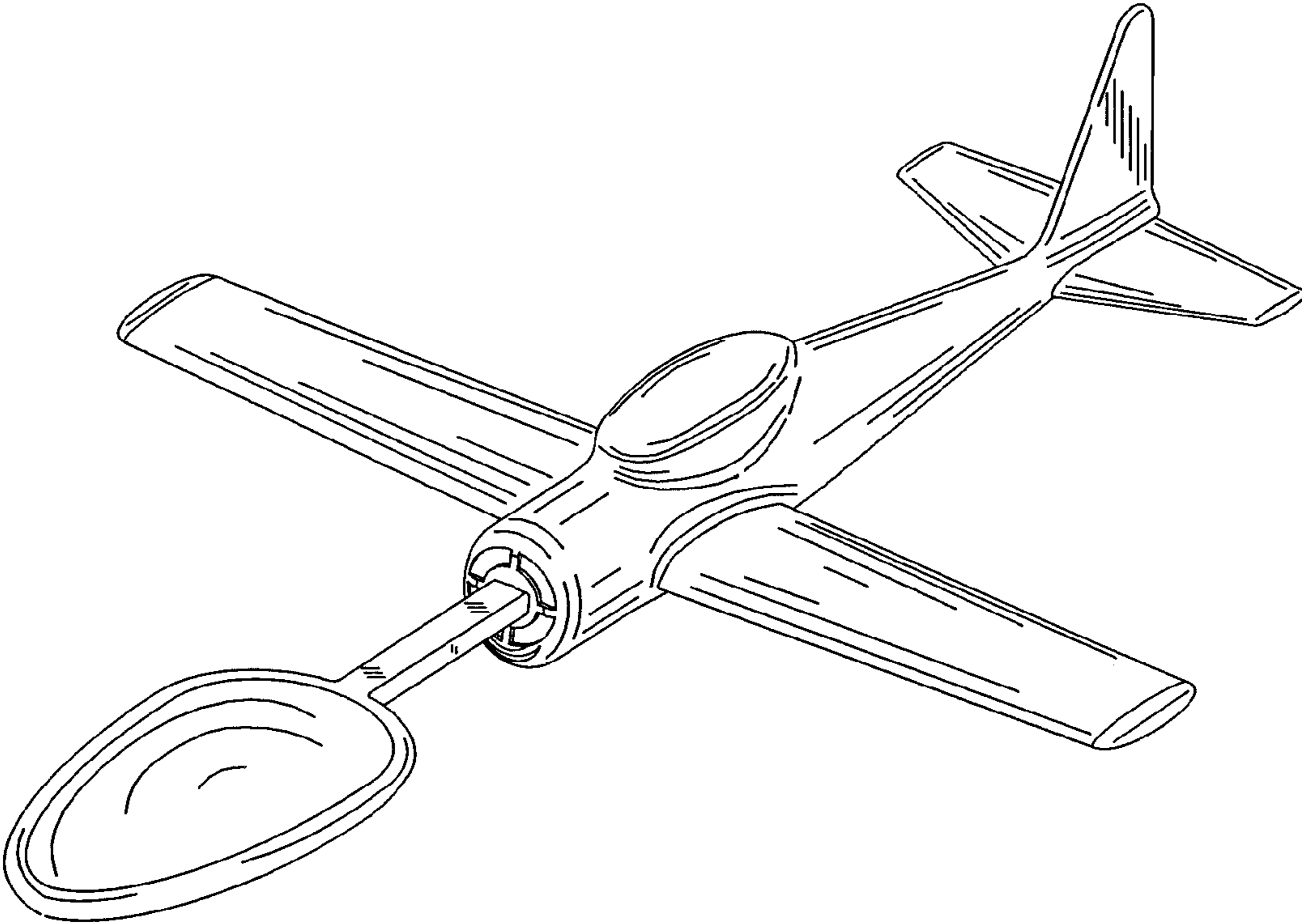


FIG. 1

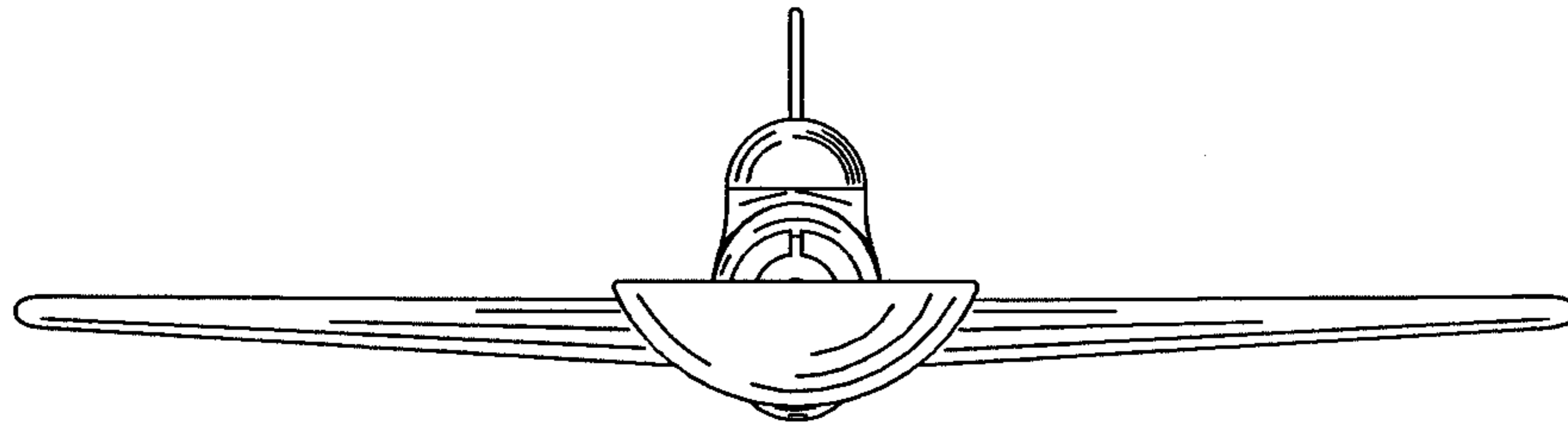


FIG. 2

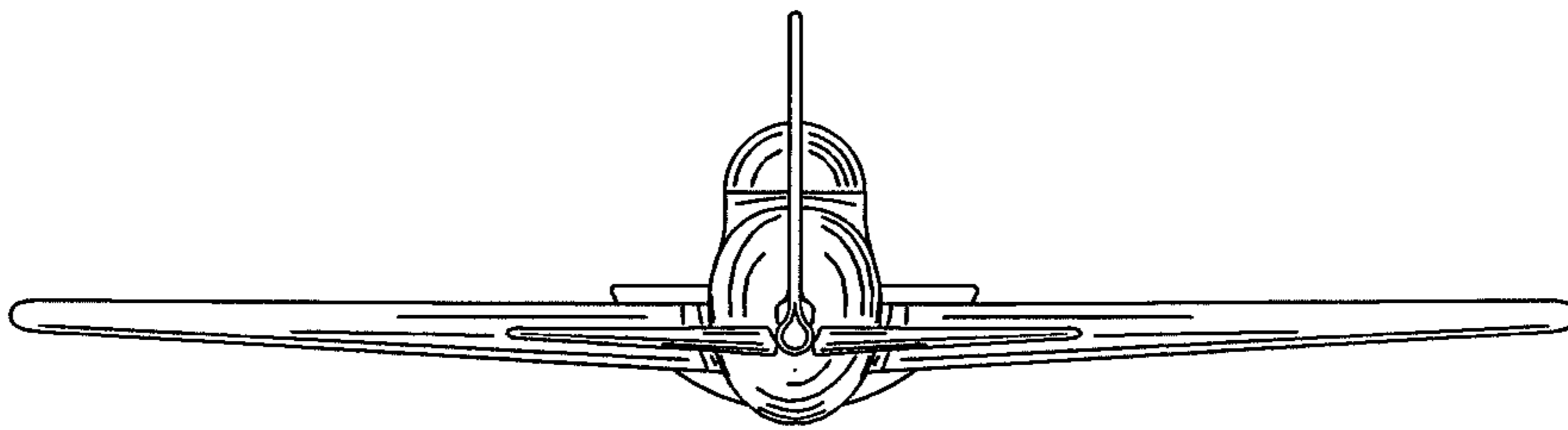


FIG. 3

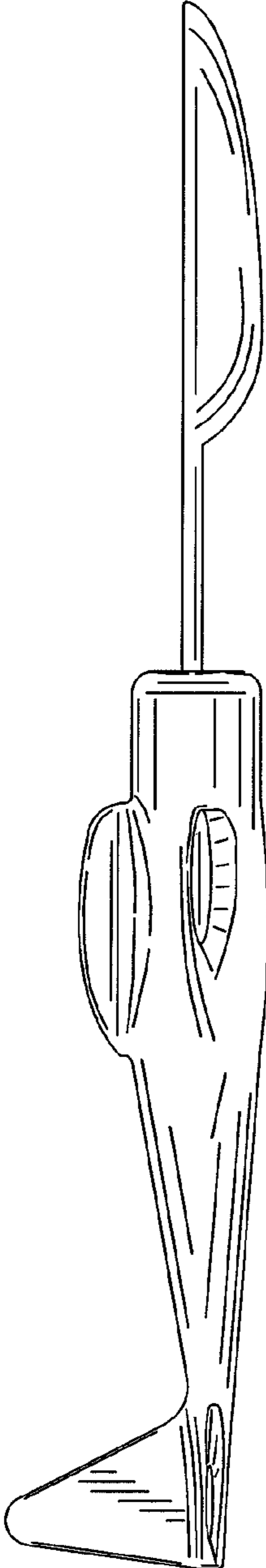


FIG. 4

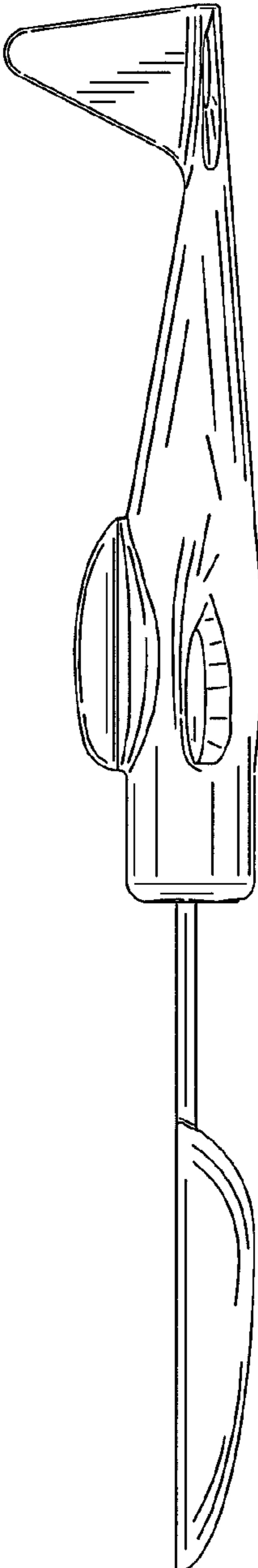


FIG. 5

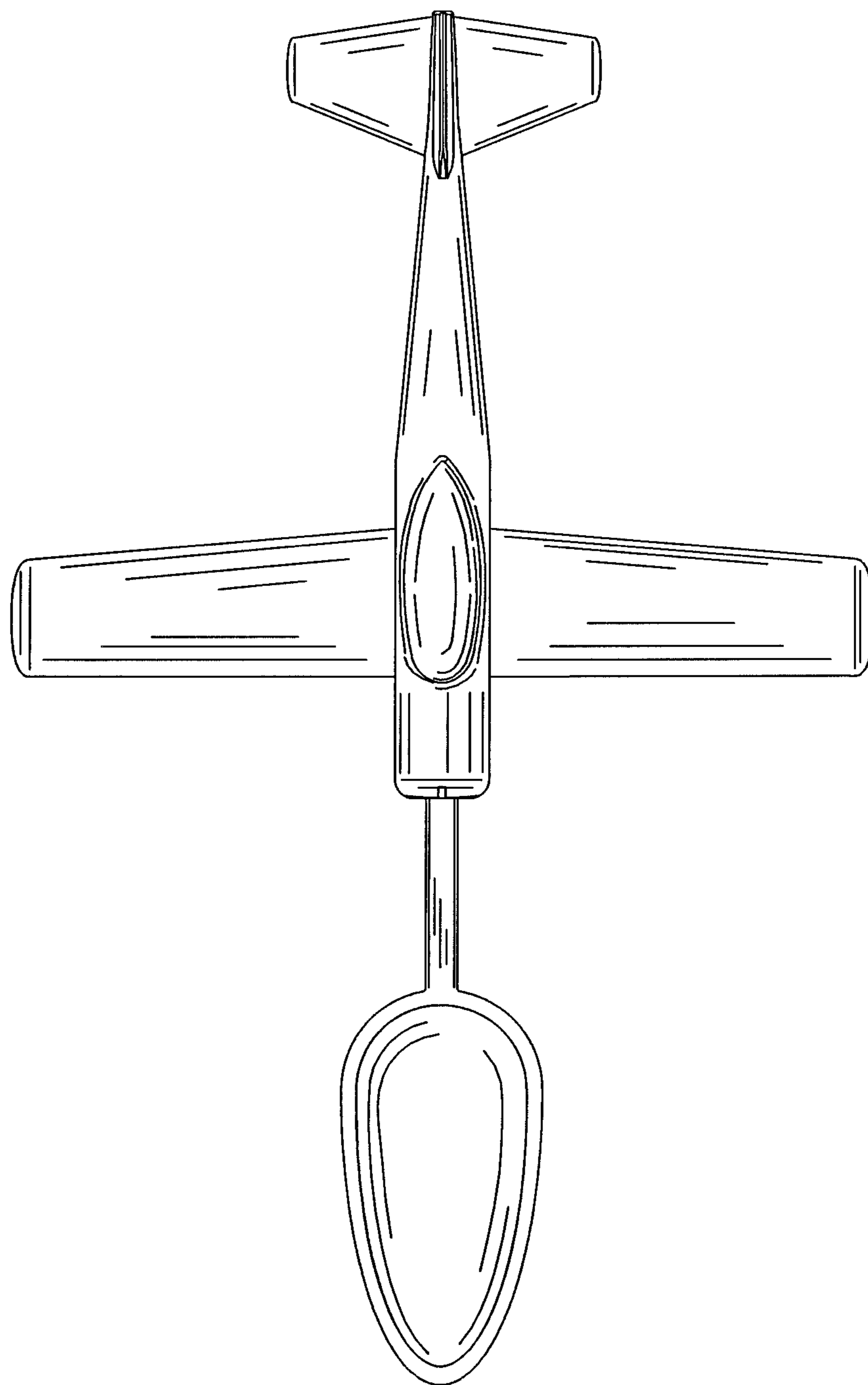


FIG. 6

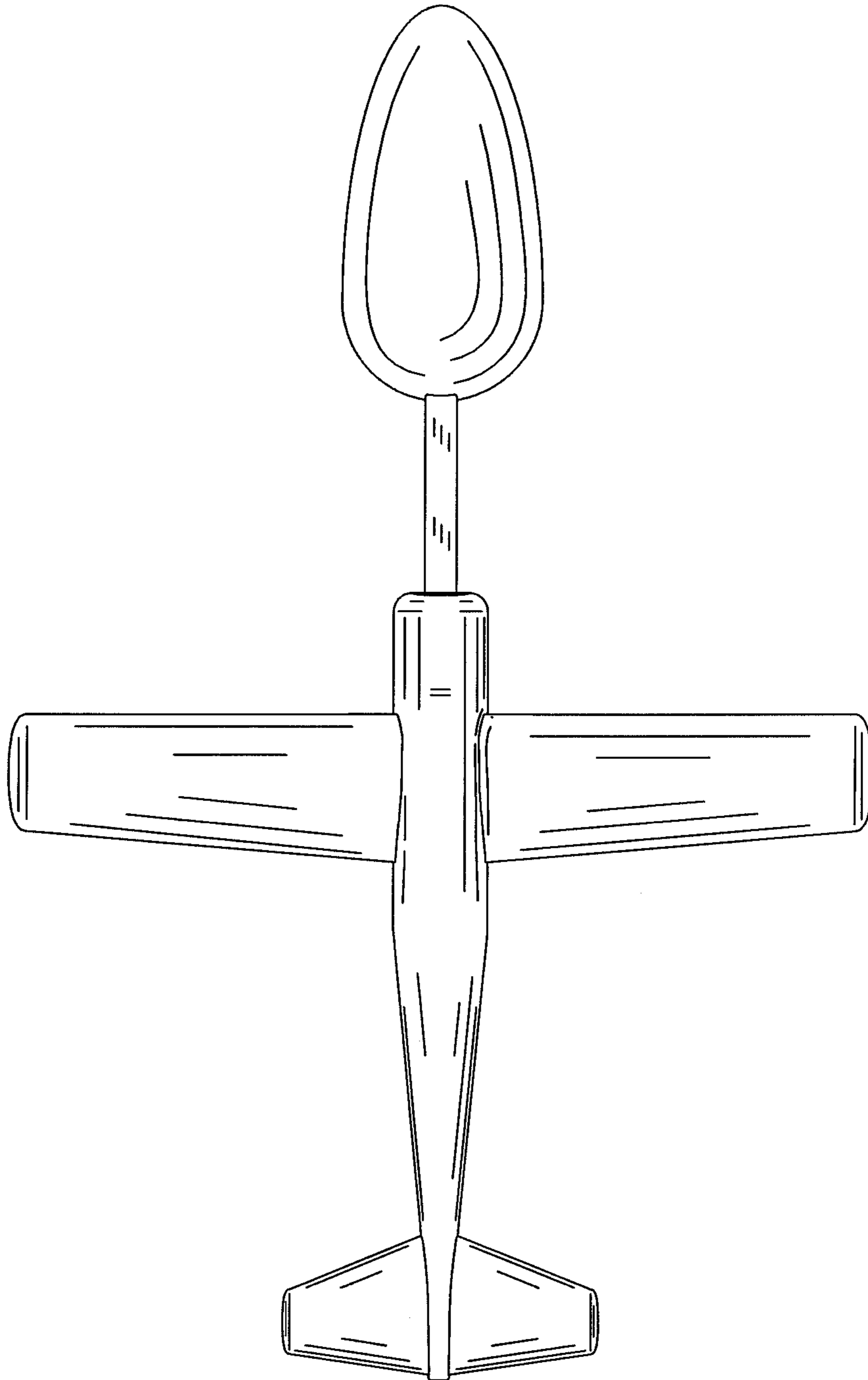


FIG. 7