



US00D706083S

(12) **United States Design Patent**  
**Kyuba et al.**

(10) **Patent No.:** **US D706,083 S**  
(45) **Date of Patent:** **\*\* Jun. 3, 2014**

(54) **HOLDER FOR HOLDING A BEVERAGE CONTAINER ONTO A BOARD**

(76) Inventors: **Keisuke Kyuba**, Pico Rivera, CA (US);  
**Sasuke Kevin Kyuba**, Whittier, CA (US)

(\*\*) Term: **14 Years**

(21) Appl. No.: **29/420,364**

(22) Filed: **May 8, 2012**

(51) **LOC (10) Cl.** ..... **07-06**

(52) **U.S. Cl.**  
USPC ..... **D7/620**

(58) **Field of Classification Search**  
USPC ..... 11/590, 620, 621, 600.1; D12/420;  
D24/128, 122; 220/742; 206/446;  
248/313, 311.2, 200, 309.1, 312.1,  
248/689, 6, 78, 690, 674, 475.1, 518, 534,  
248/37.6, 65, 76, 103, 115, 121, 122.1, 126,  
248/188.91, 351, 465; 294/166, 27.1;  
215/395, 396; 211/85.4, 74, 75, 85.18,  
211/85.22

See application file for complete search history.

(56) **References Cited**

**U.S. PATENT DOCUMENTS**

D20,795 S *	6/1891	Lawton	.....	D7/590
1,782,962 A *	11/1930	Hobbs	.....	294/166
D162,959 S *	4/1951	Janes et al.	.....	D7/620
D265,351 S *	7/1982	Wooters	.....	D7/620
D271,073 S *	10/1983	Field	.....	D7/621
D279,836 S *	7/1985	Tanaka	.....	D12/420
D282,489 S *	2/1986	Huber	.....	D24/128
D423,884 S *	5/2000	Greenwood	.....	D7/620
D473,760 S *	4/2003	Perez	.....	D7/620
D501,444 S *	2/2005	Andrews	.....	D12/420
D629,255 S *	12/2010	Sellers	.....	D7/590
D637,457 S *	5/2011	Thompson	.....	D7/600.1
8,033,518 B2 *	10/2011	Schuchman	.....	248/311.2

**OTHER PUBLICATIONS**

<http://www.youtube.com/watch?v=x9L5isx7zvs> (YouTube video uploaded by Keisuke Kyuba; published Apr. 11, 2011).

\* cited by examiner

*Primary Examiner* — Ian Simmons

*Assistant Examiner* — Eleni Aldridge

(74) *Attorney, Agent, or Firm* — LambentIP

(57) **CLAIM**

The ornamental design for a holder for holding a beverage container onto a board, as shown and described.

**DESCRIPTION**

FIG. 1 is a perspective view of a holder for holding a beverage container onto a board, showing a first embodiment of our design;

FIG. 2 is a front view thereof;

FIG. 3 is a rear view thereof;

FIG. 4 is a left side view thereof;

FIG. 5 is a right side view thereof;

FIG. 6 is a top view thereof;

FIG. 7 is a bottom view thereof;

FIG. 8 is a perspective view of a holder for holding a beverage container onto a board, showing a second embodiment of our design;

FIG. 9 is a front view thereof;

FIG. 10 is a rear view thereof;

FIG. 11 is a left side view thereof;

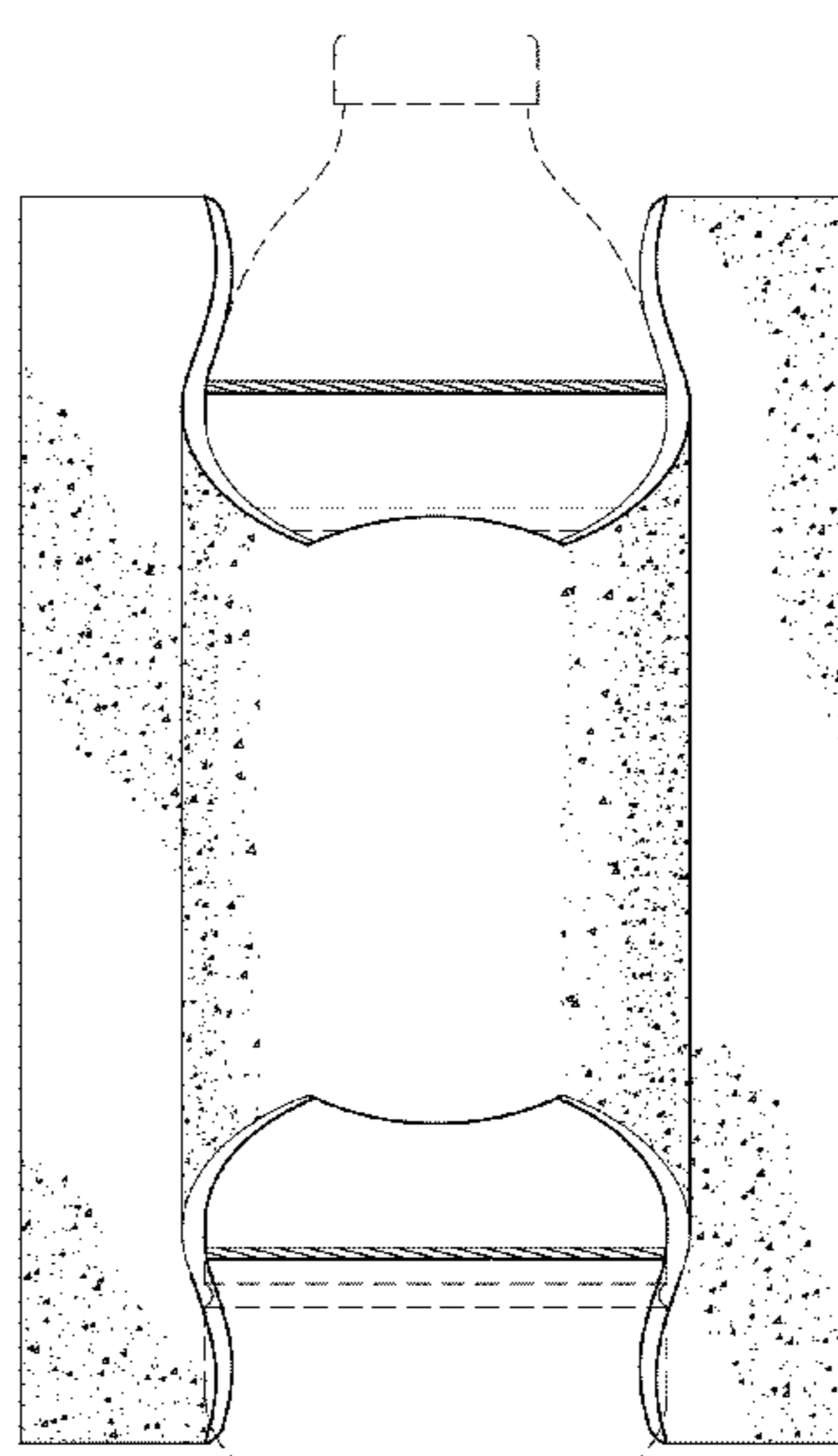
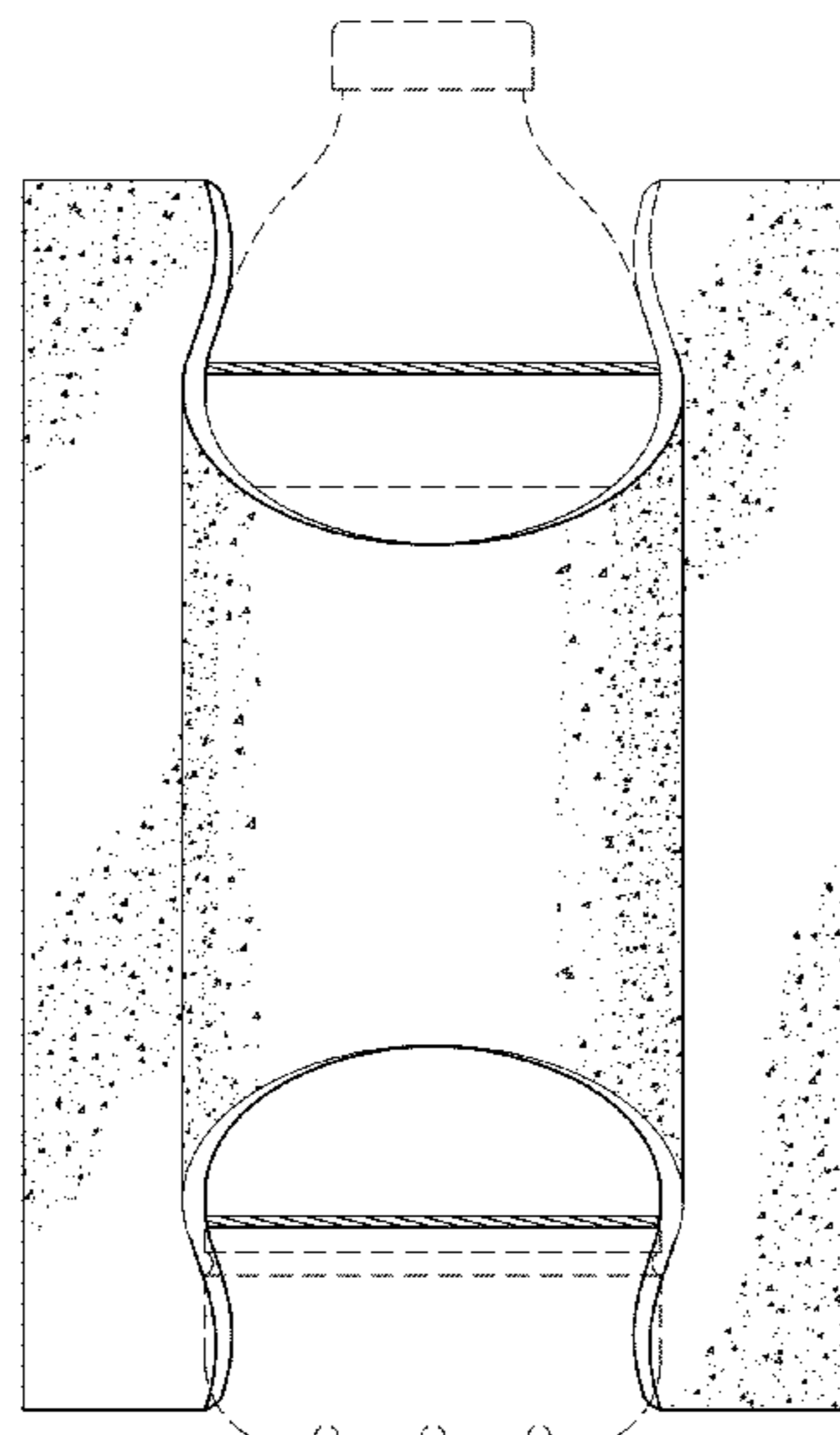
FIG. 12 is a right side view thereof;

FIG. 13 is a top view thereof; and,

FIG. 14 is a bottom view thereof.

The broken line showing of a board and a bottle is included for the purpose of illustrating environmental structure and forms no part of the claimed design.

**1 Claim, 10 Drawing Sheets**



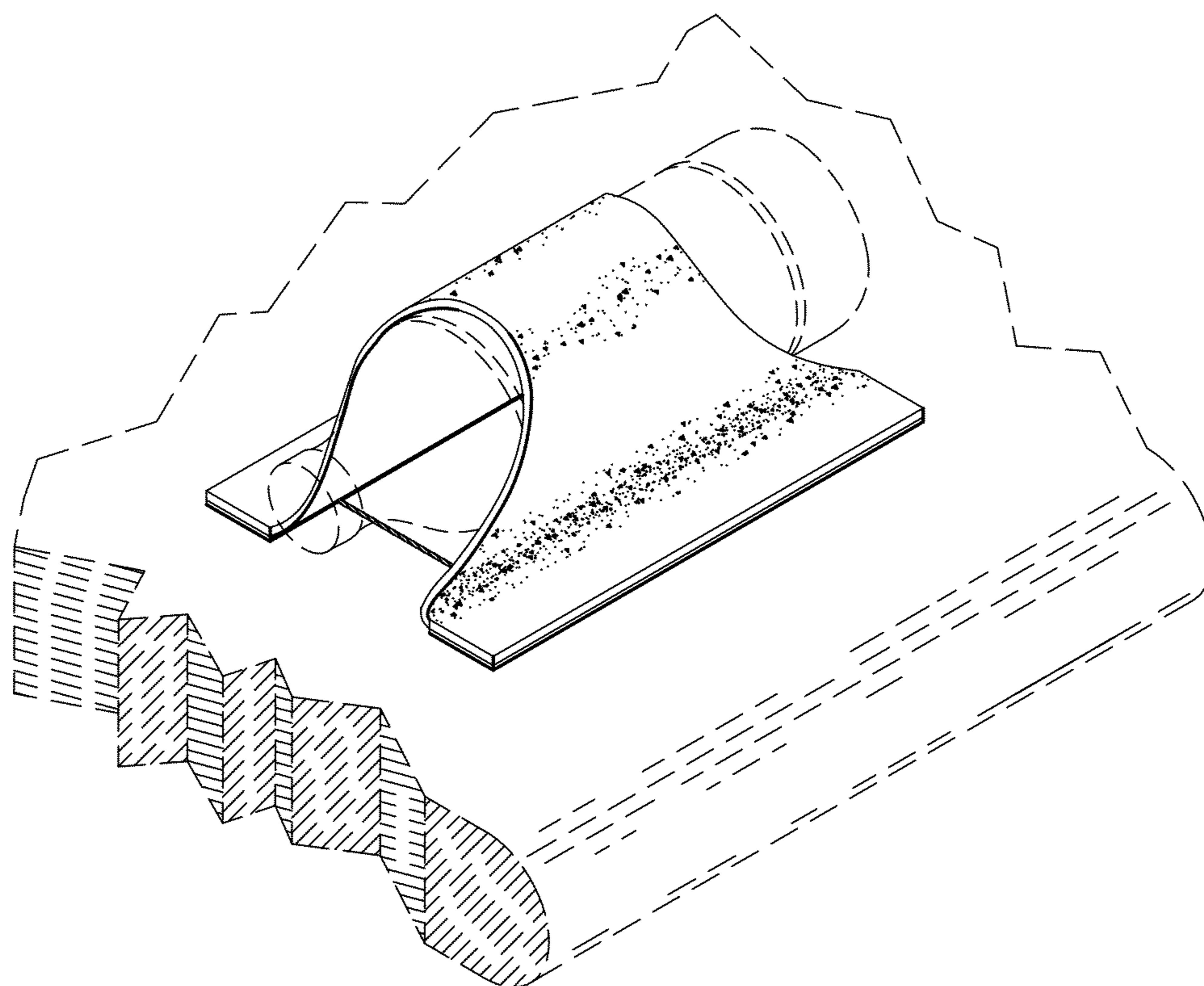


Fig. 1

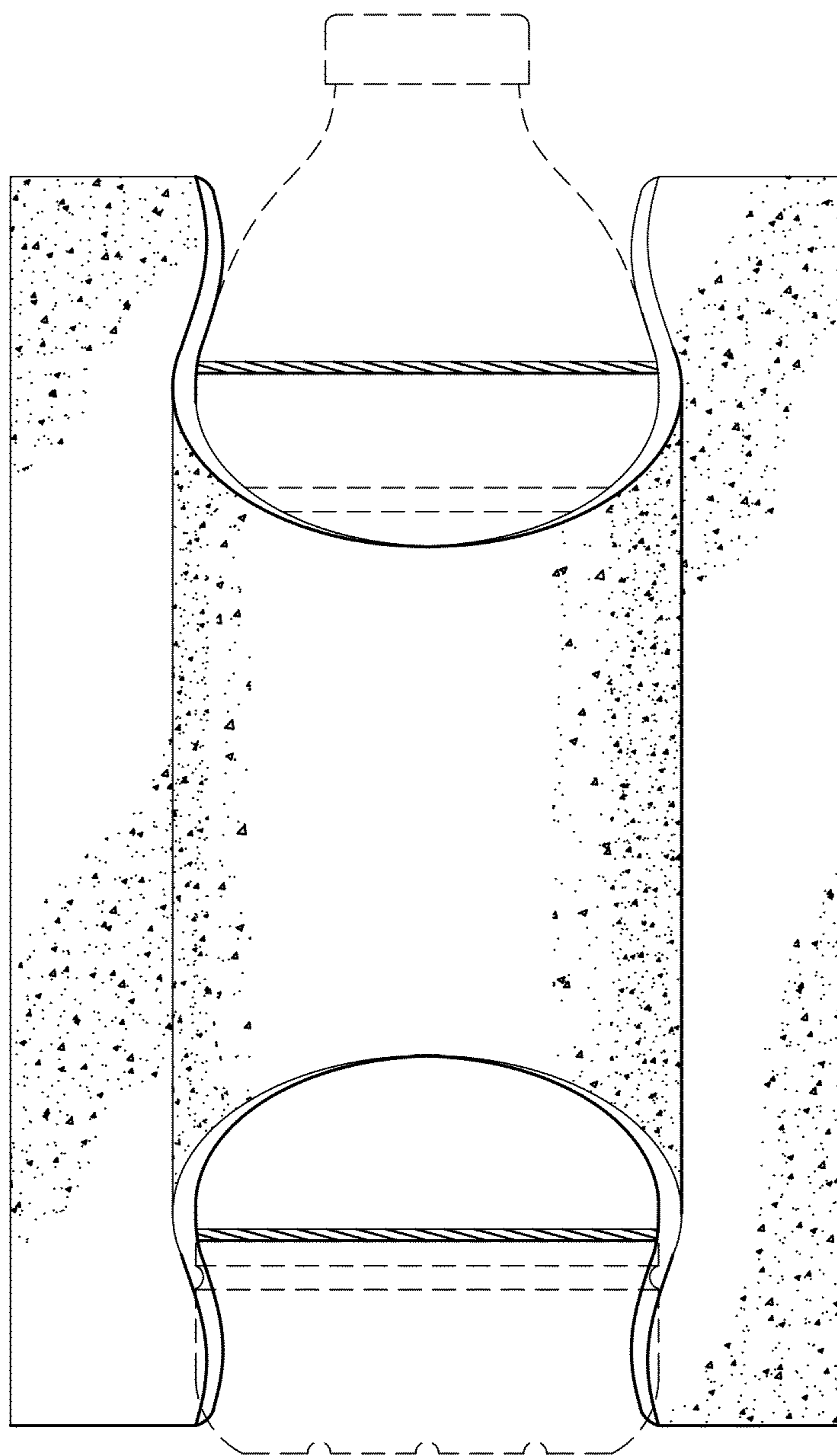


Fig. 2

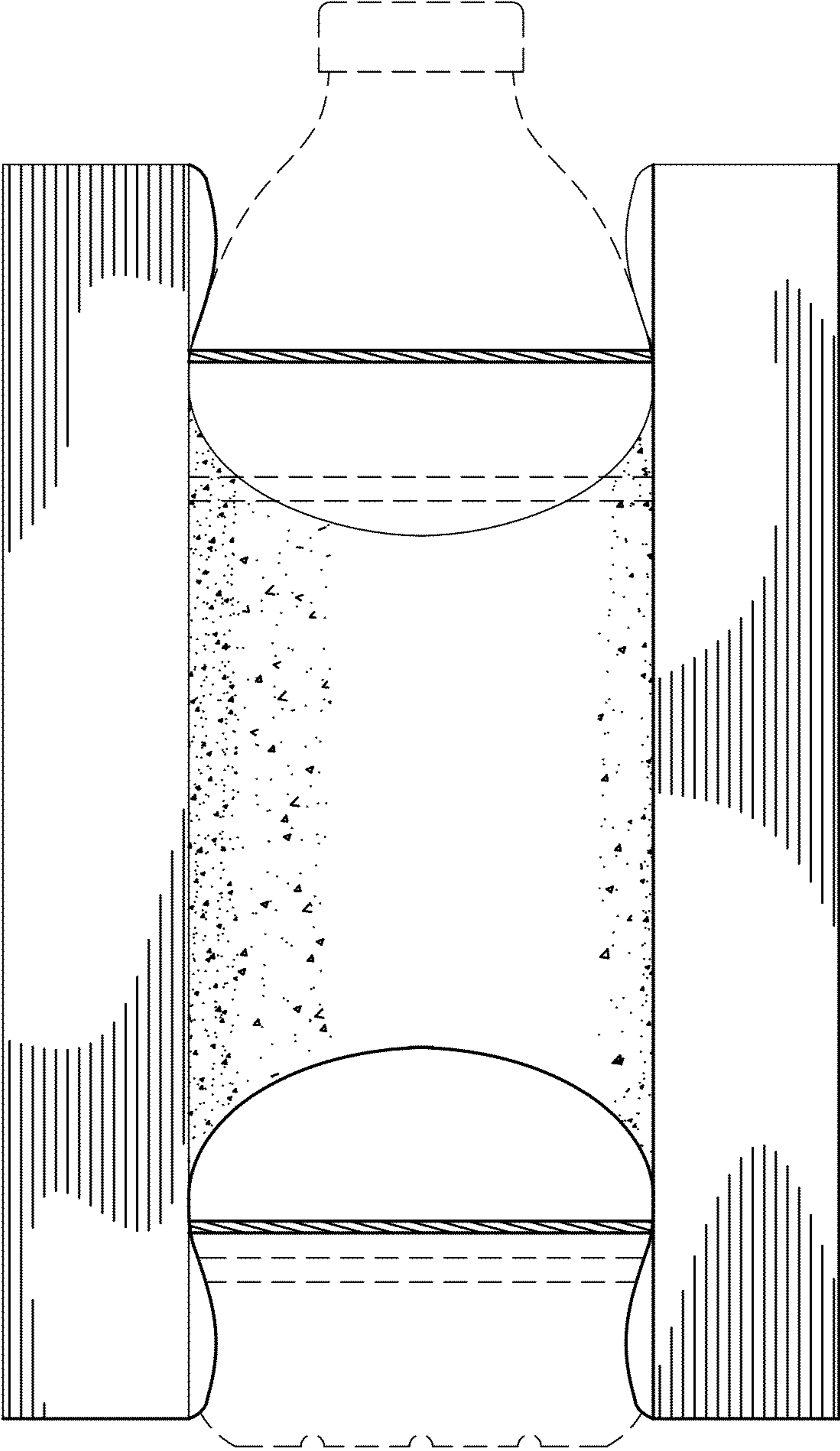


Fig. 3

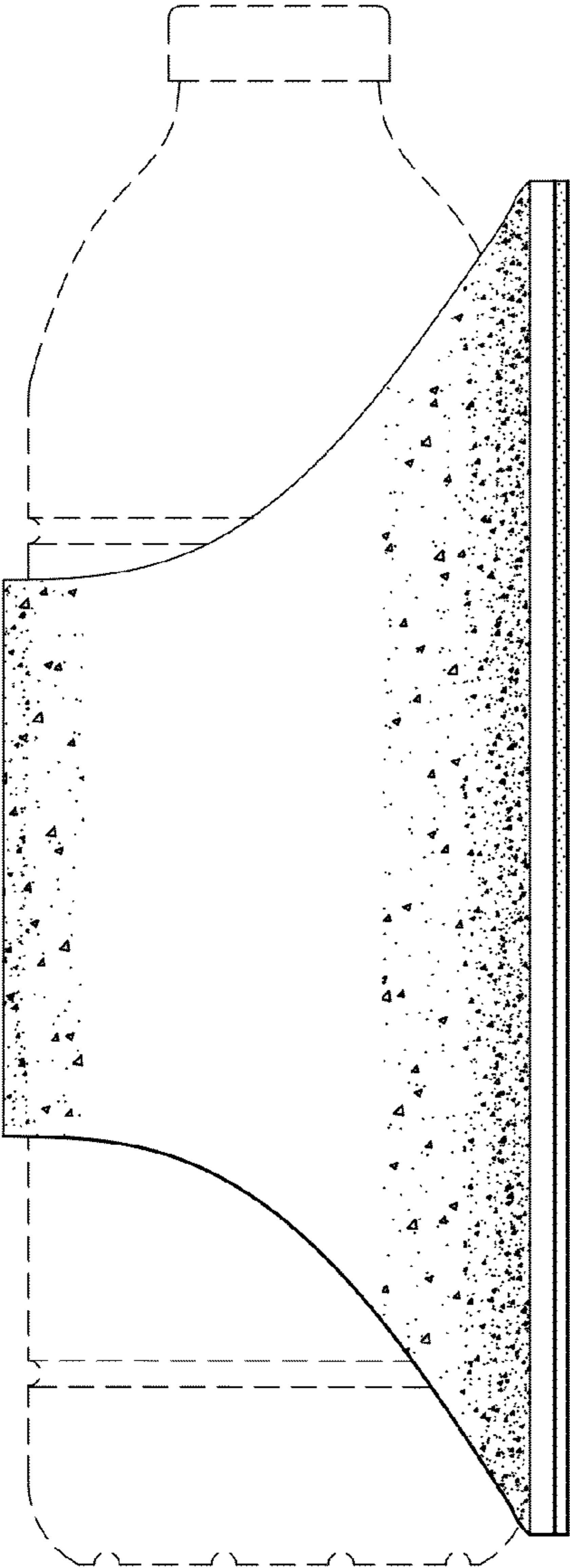


Fig. 4

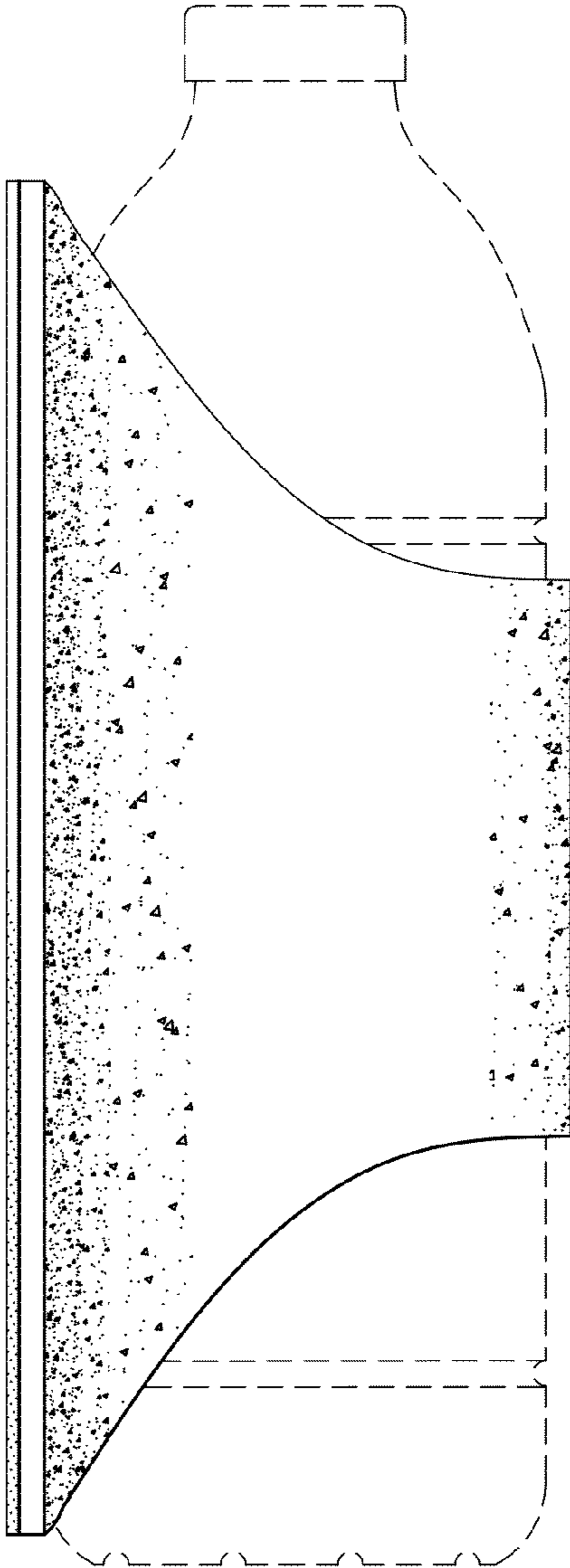


Fig. 5

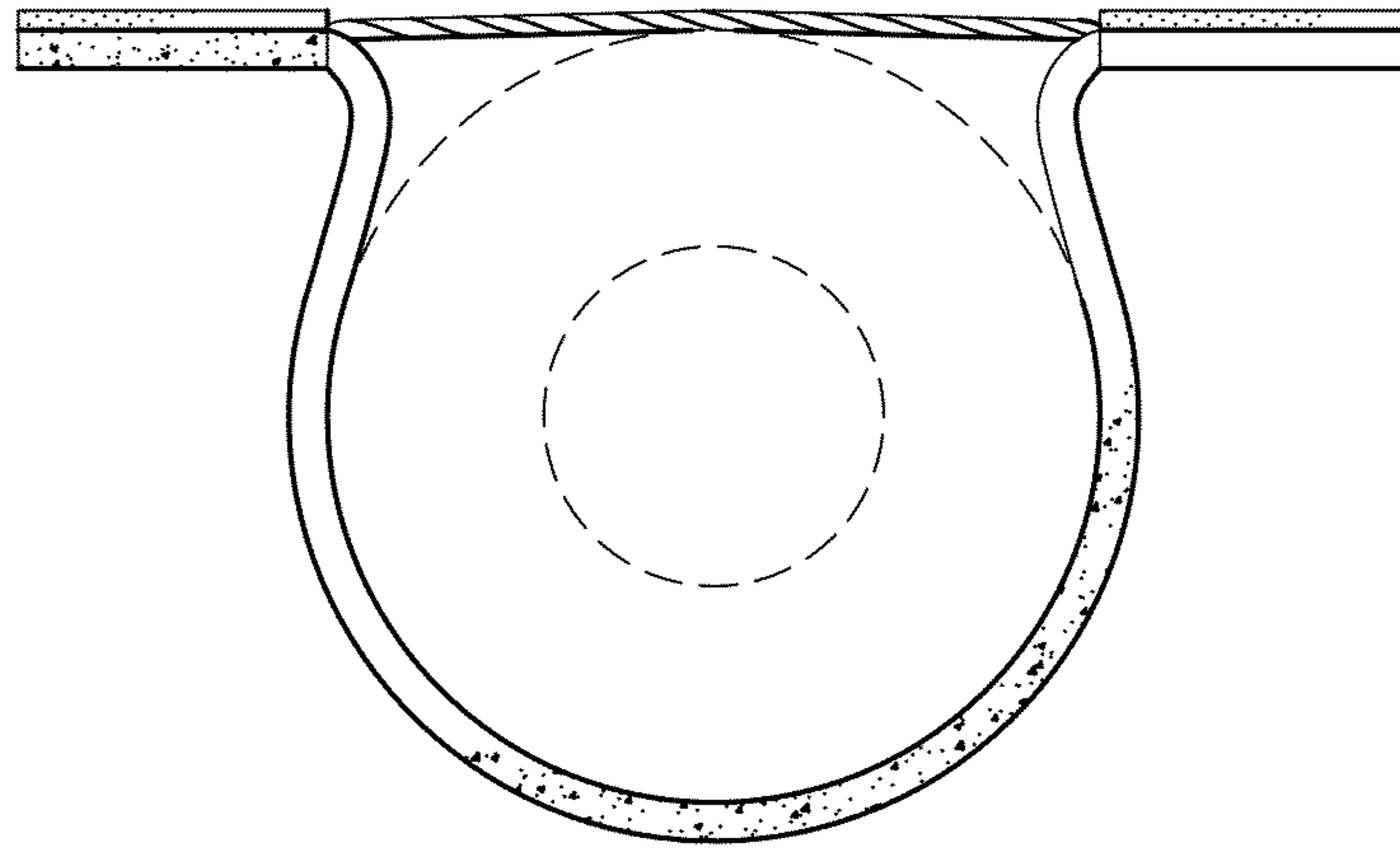


Fig. 6

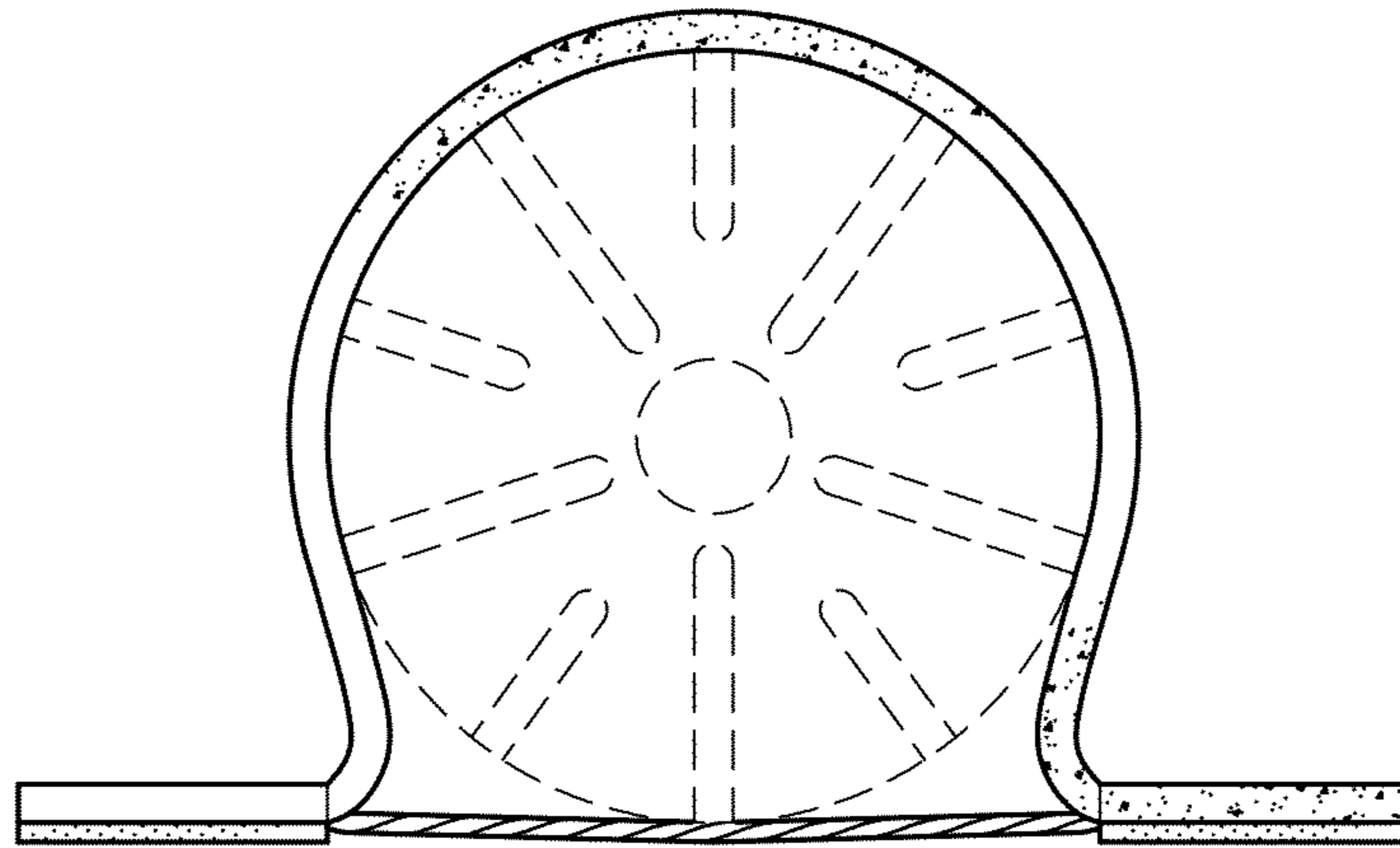


Fig. 7

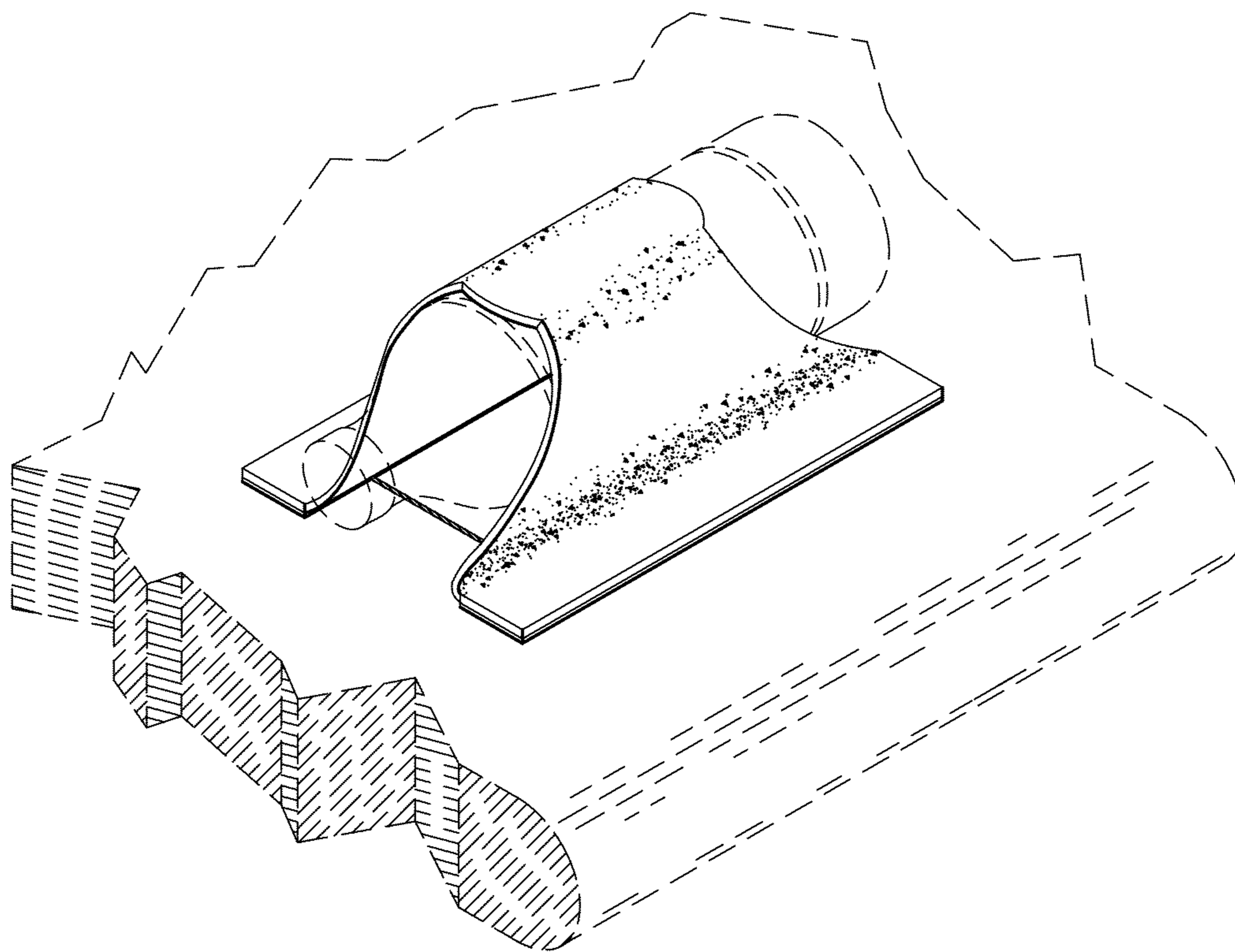


Fig. 8

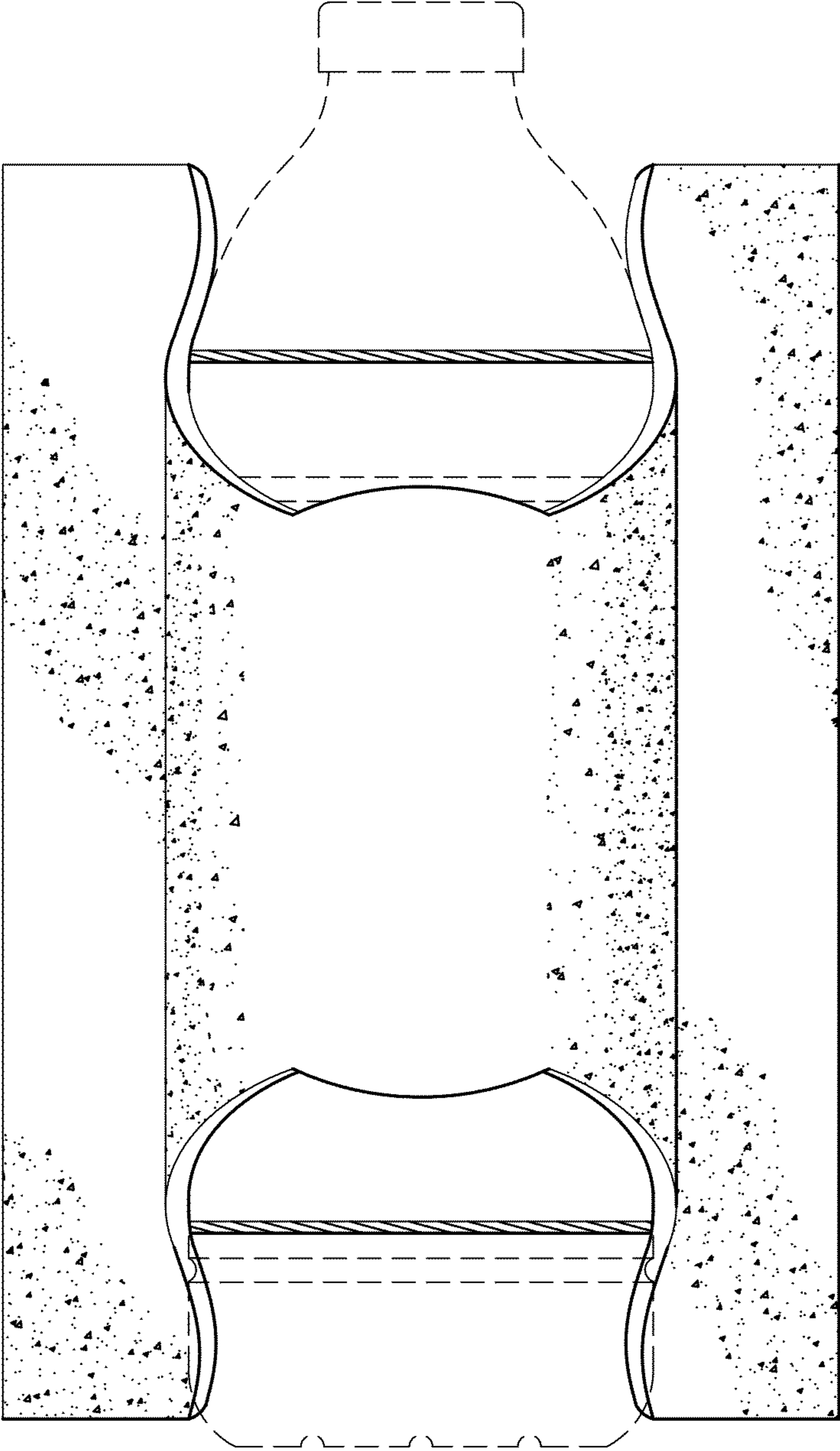


Fig. 9



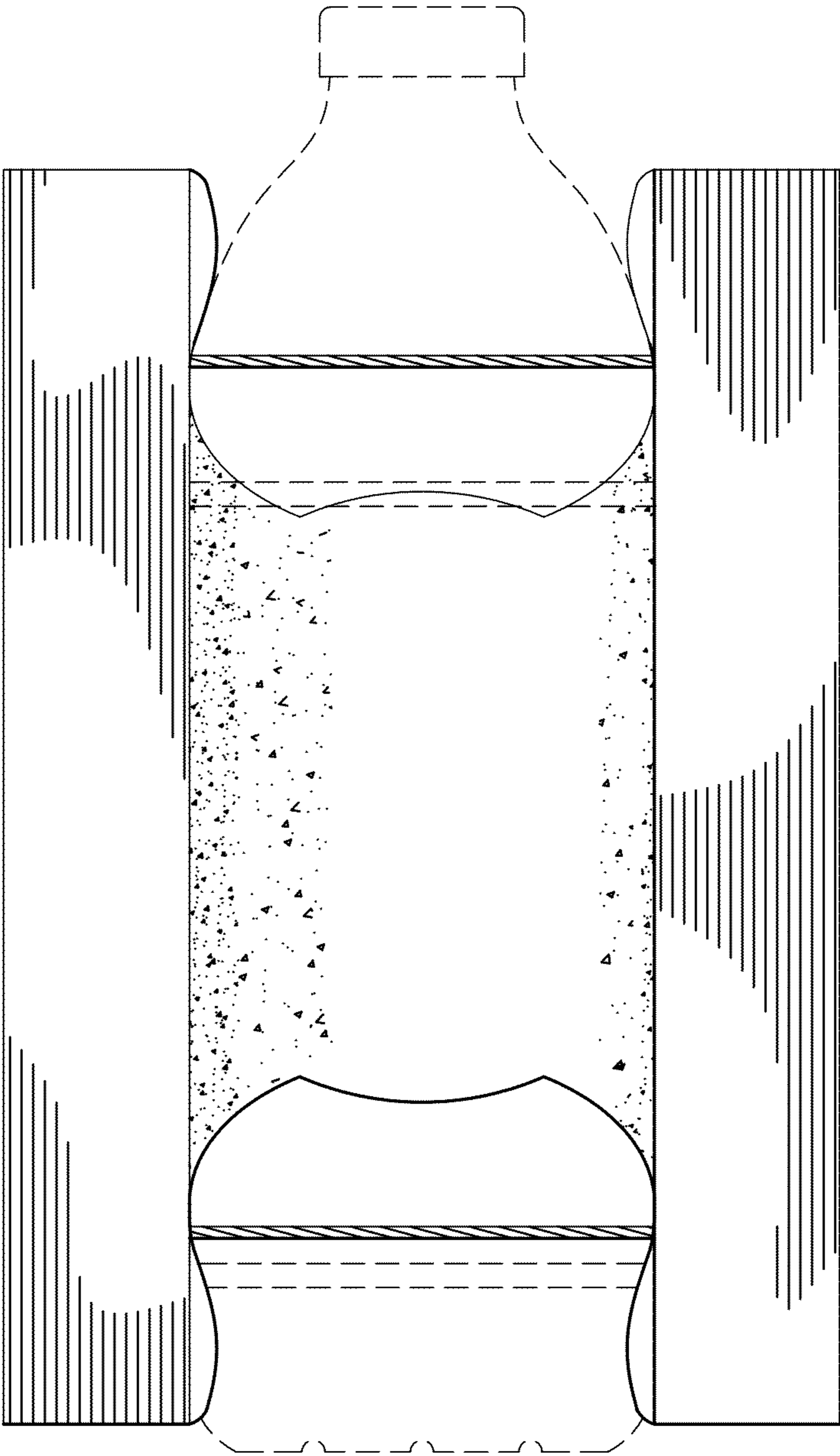


Fig. 10

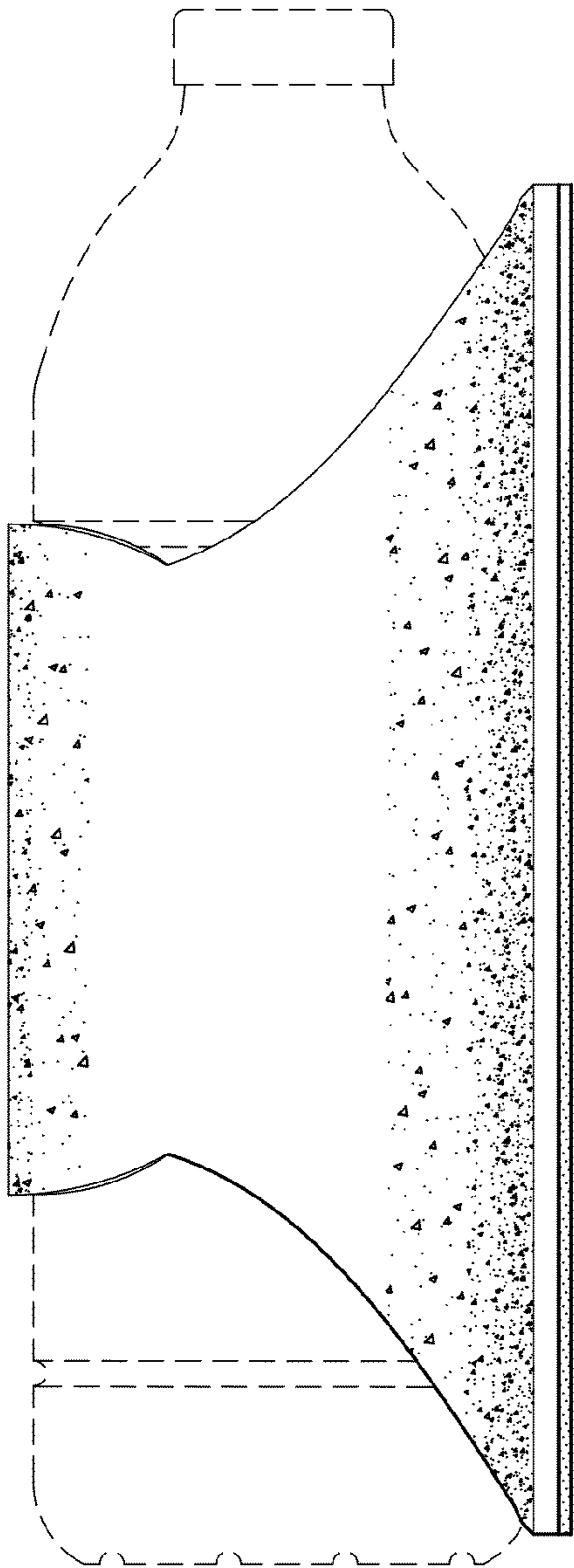


Fig. 11

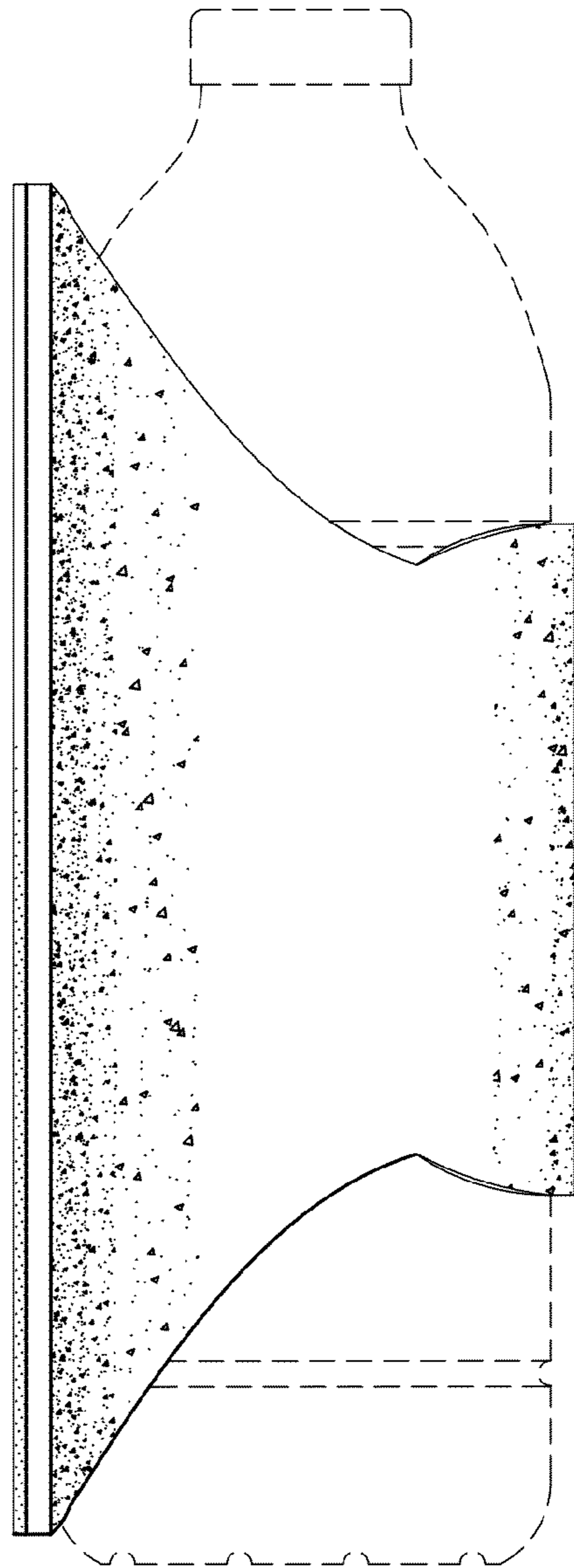


Fig. 12

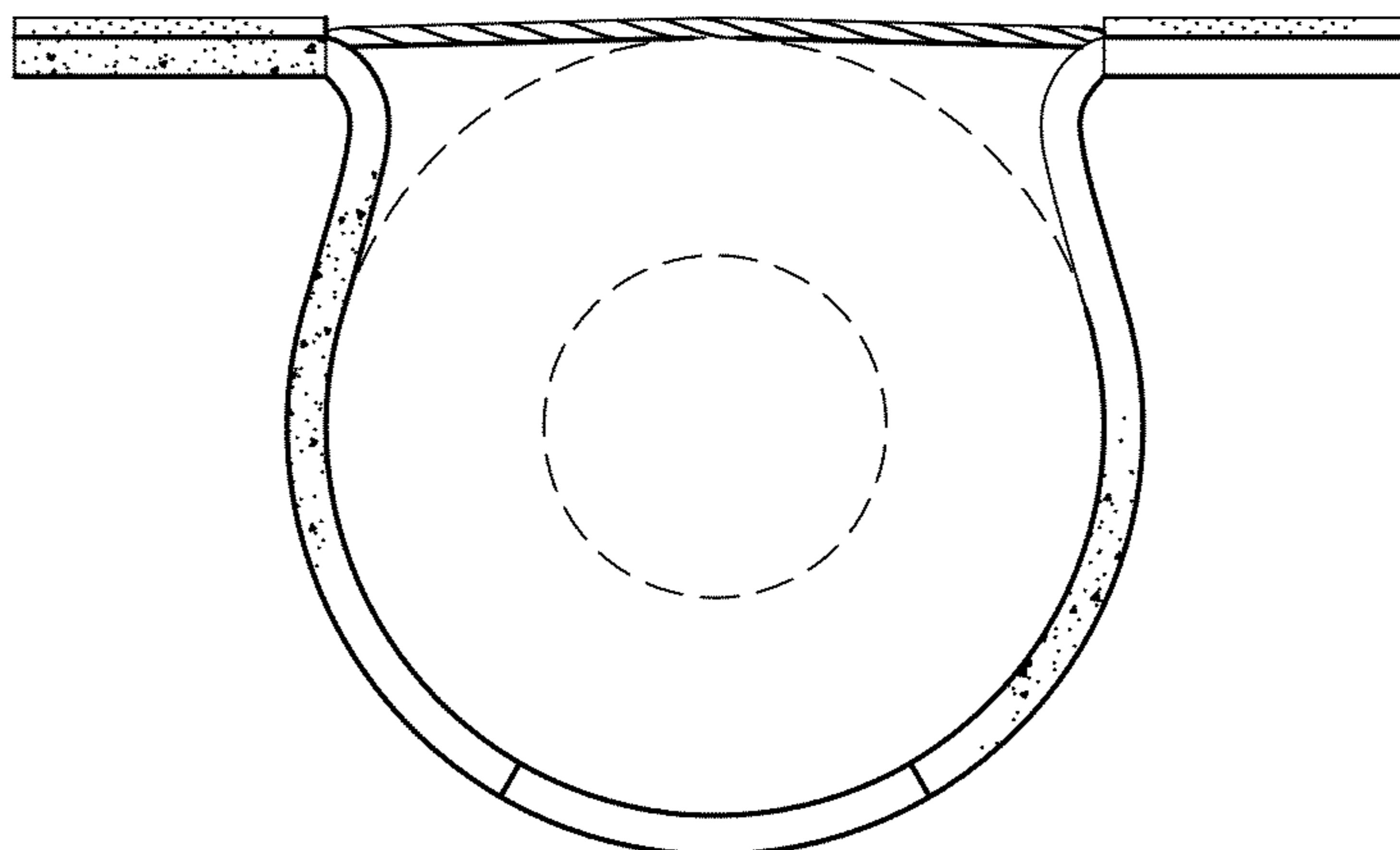


Fig. 13

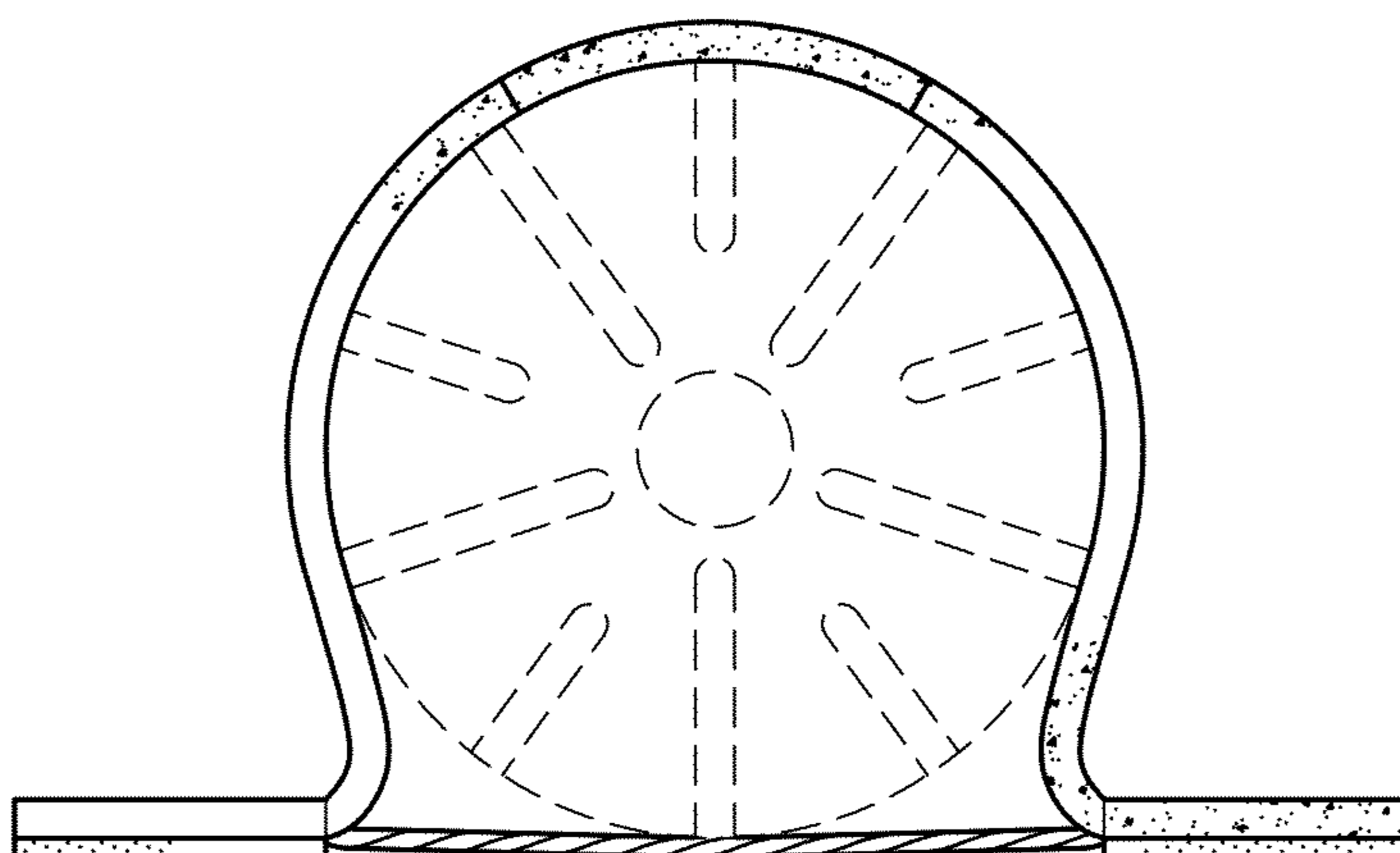


Fig. 14