



US00D706080S

(12) **United States Design Patent**  
**Pai**

(10) **Patent No.:** **US D706,080 S**  
(45) **Date of Patent:** **\*\* Jun. 3, 2014**

(54) **SUPPORT STRUCTURE FOR A GRILL**

(71) Applicant: **Lucas Pai**, Taichung (TW)

(72) Inventor: **Lucas Pai**, Taichung (TW)

(\*\*) Term: **14 Years**

(21) Appl. No.: **29/443,521**

(22) Filed: **Jan. 18, 2013**

(51) **LOC (10) Cl.** ..... **07-02**

(52) **U.S. Cl.**  
USPC ..... **D7/403**

(58) **Field of Classification Search**

USPC ..... D7/332, 334-337, 402-405, 407-409;  
126/25 R, 25 A, 25 AA, 25 B, 9 R, 9 B,  
126/41 R, 37 R, 40, 50; D6/574

See application file for complete search history.

(56) **References Cited**

**U.S. PATENT DOCUMENTS**

D516,860 S *	3/2006	Nipke	.....	D7/403
D517,368 S *	3/2006	Nipke	.....	D7/403
D636,628 S *	4/2011	Chung	.....	D7/334
D680,366 S *	4/2013	Chung	.....	D7/334
2005/0252504 A1 *	11/2005	Cabrera et al.	.....	126/50
2012/0174907 A1 *	7/2012	Yeh	.....	126/25 R

\* cited by examiner

*Primary Examiner* — Ruth McInroy

(74) *Attorney, Agent, or Firm* — Egbert Law Offices, PLLC

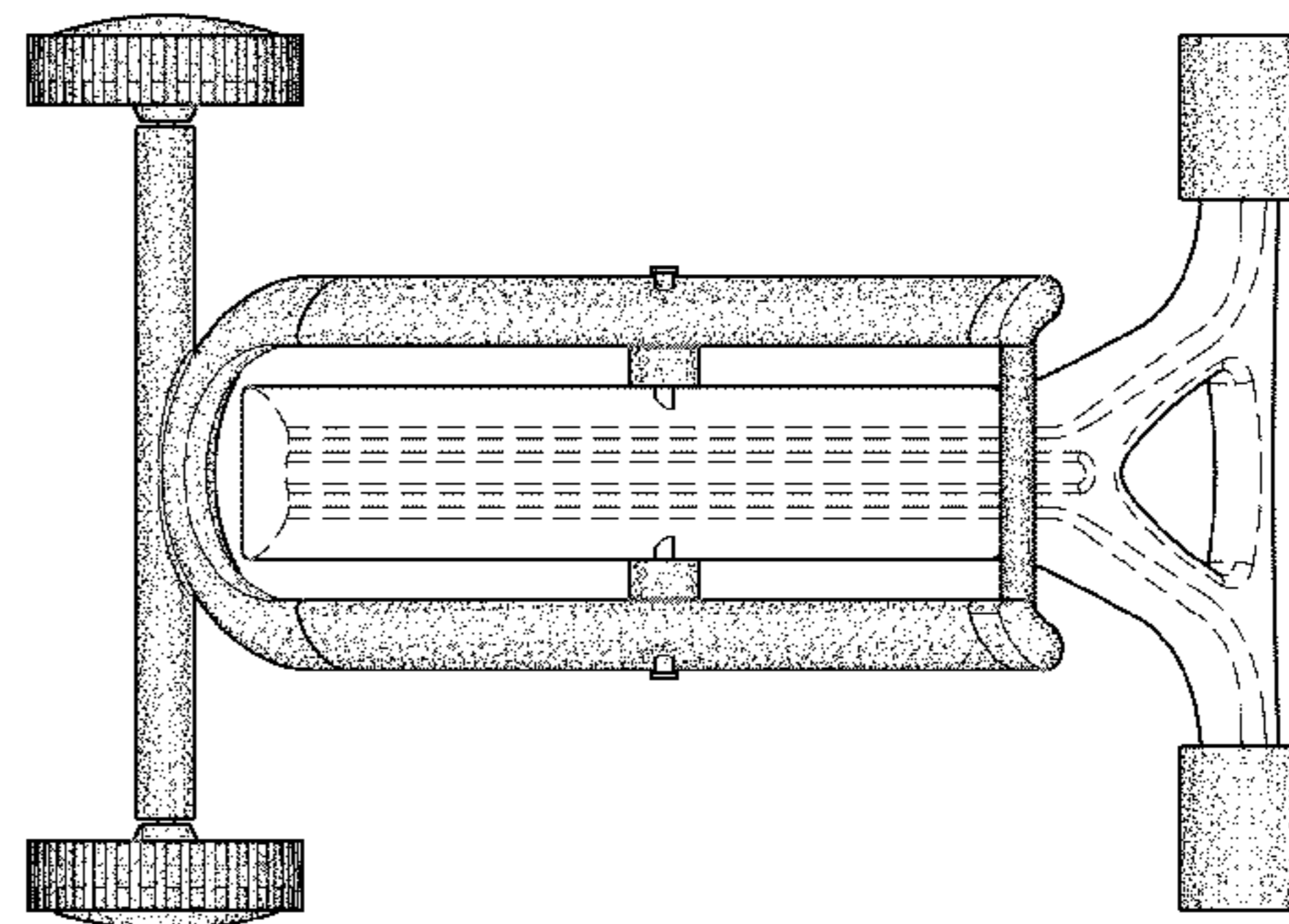
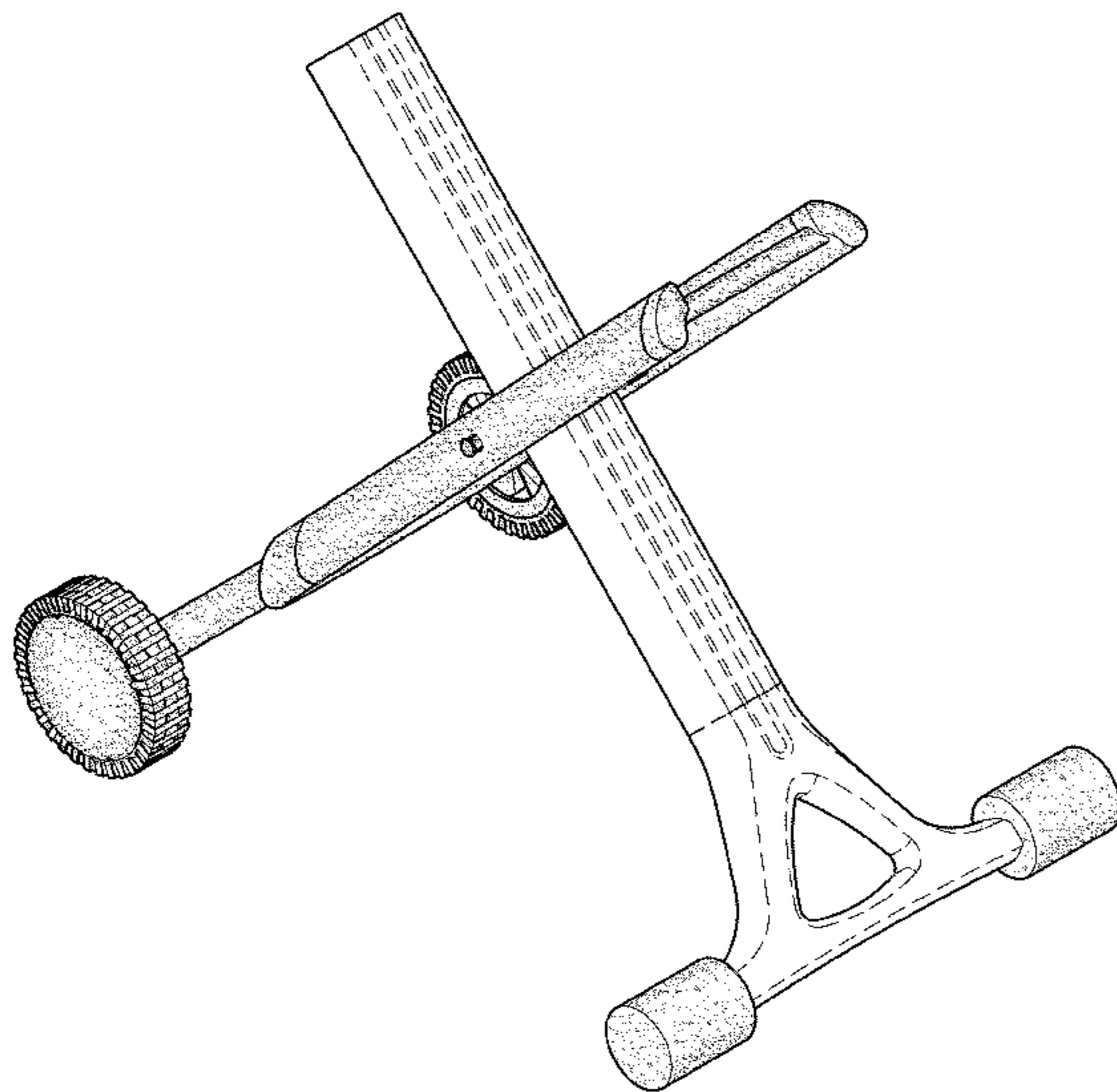
(57) **CLAIM**

The ornamental design for a support structure for a grill, as shown and described.

**DESCRIPTION**

FIG. 1 is an upper perspective view of the support structure for a grill showing my new design.  
FIG. 2 is a front elevation view thereof;  
FIG. 3 is back elevation view thereof;  
FIG. 4 is a side elevation view thereof;  
FIG. 5 is an opposite side elevation view thereof;  
FIG. 6 is a top plan view thereof;  
FIG. 7 is a bottom plan view thereof;  
FIG. 8 is an upper perspective view showing the support structure for a grill with a grill positioned thereon; and,  
FIG. 9 is a front elevation view showing the support structure for a grill with a grill positioned thereon.  
The details shown in broken lines form no part of the claimed design.

**1 Claim, 9 Drawing Sheets**



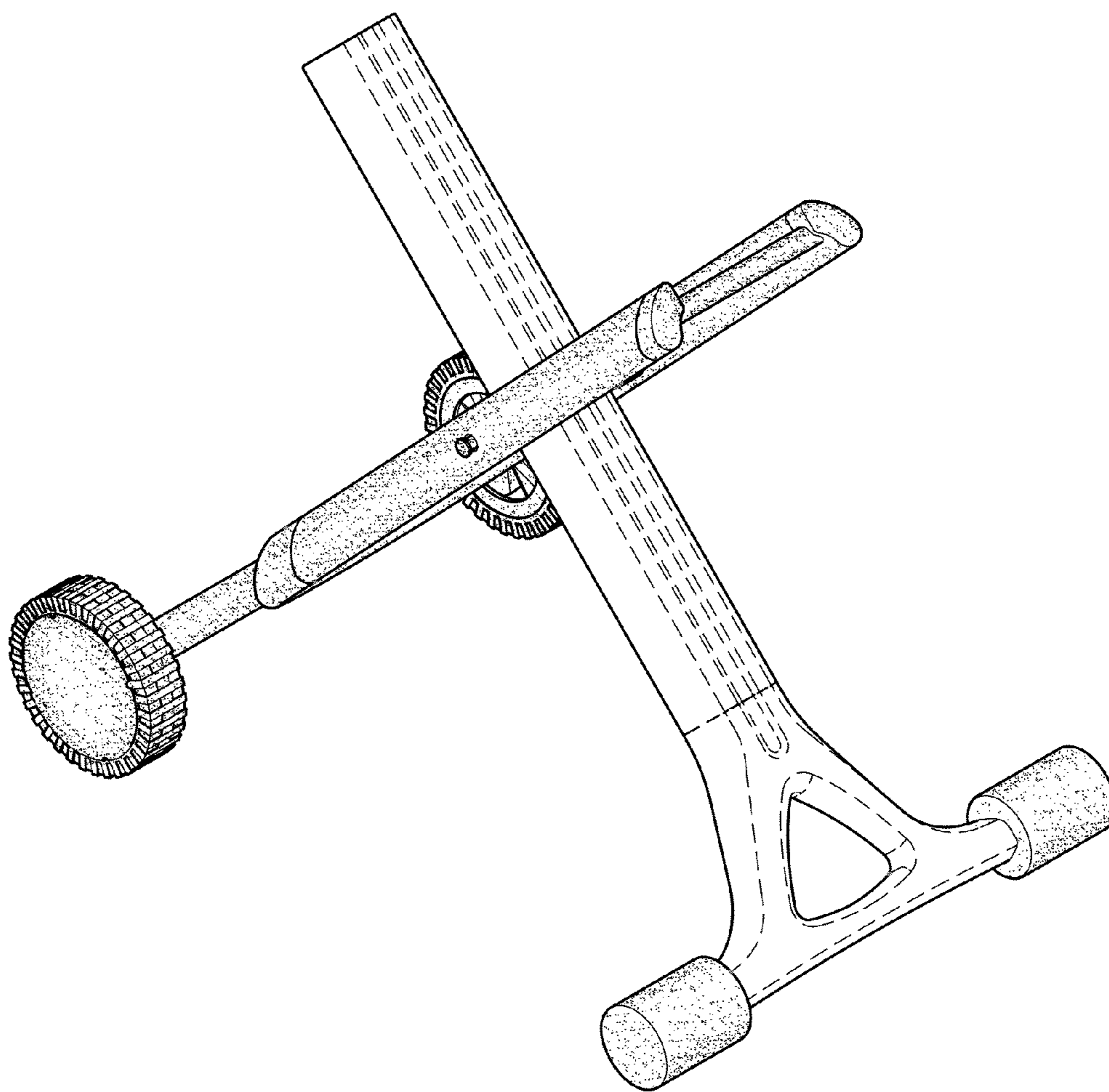


FIG. 1

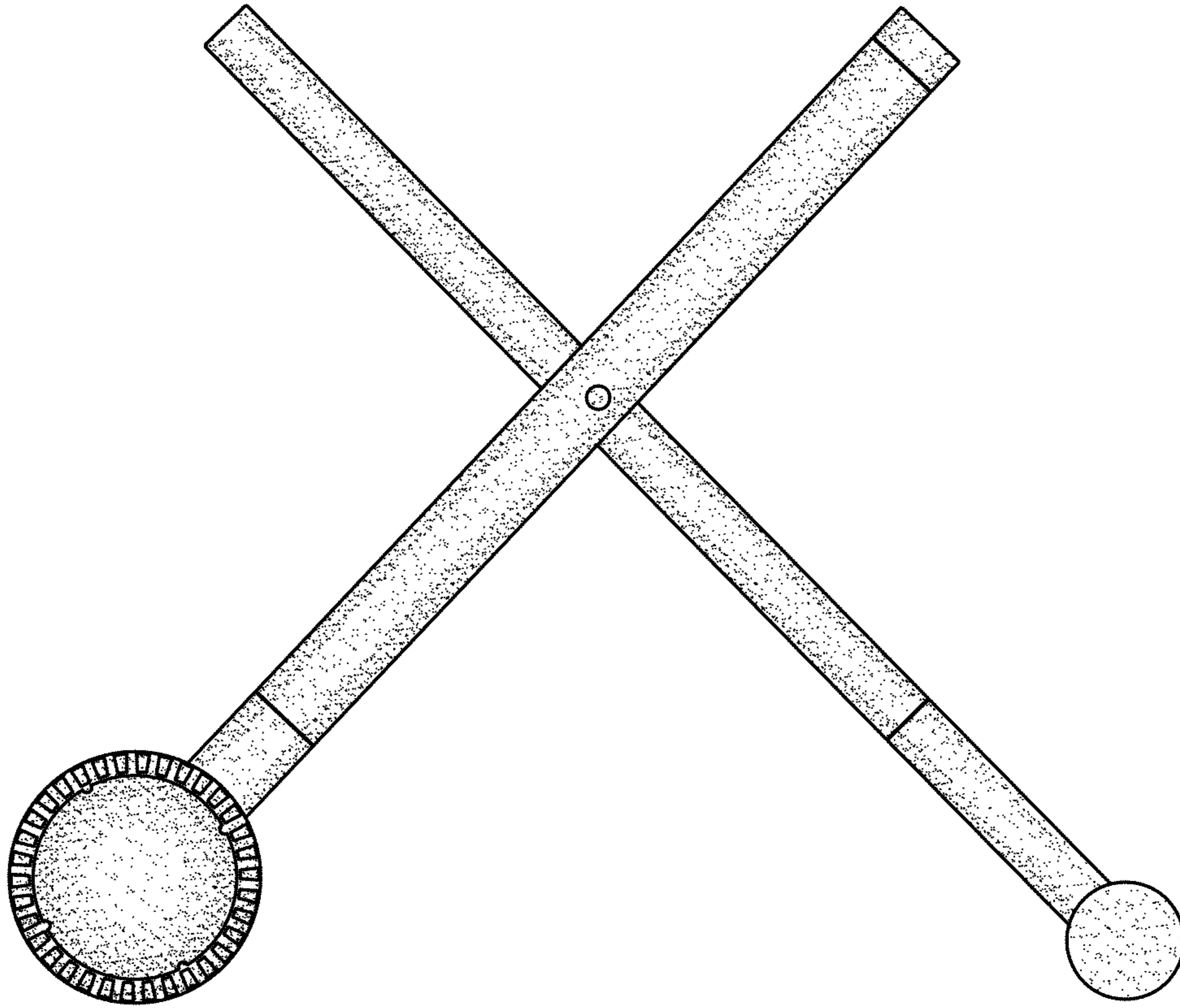


FIG. 2

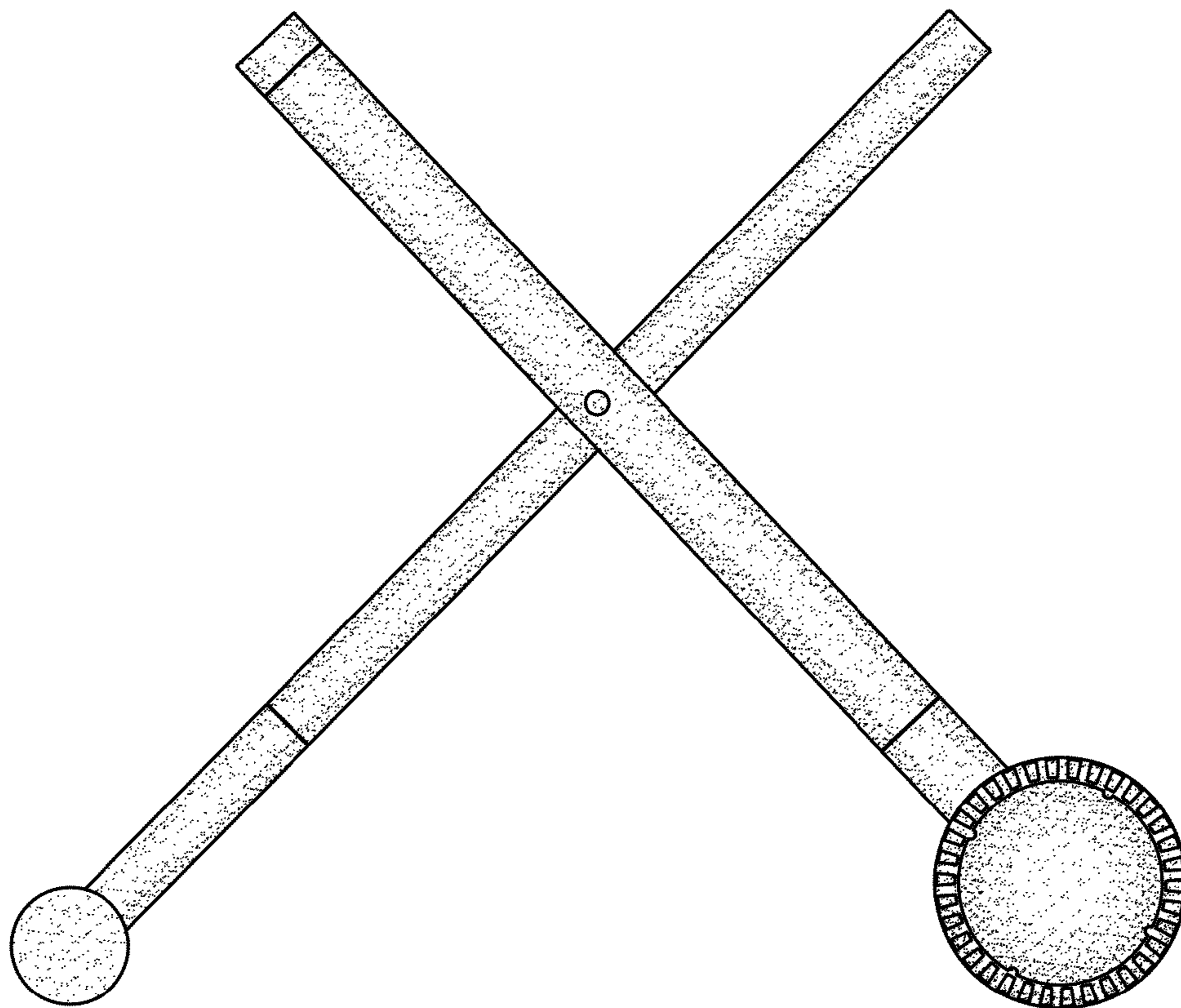


FIG.3



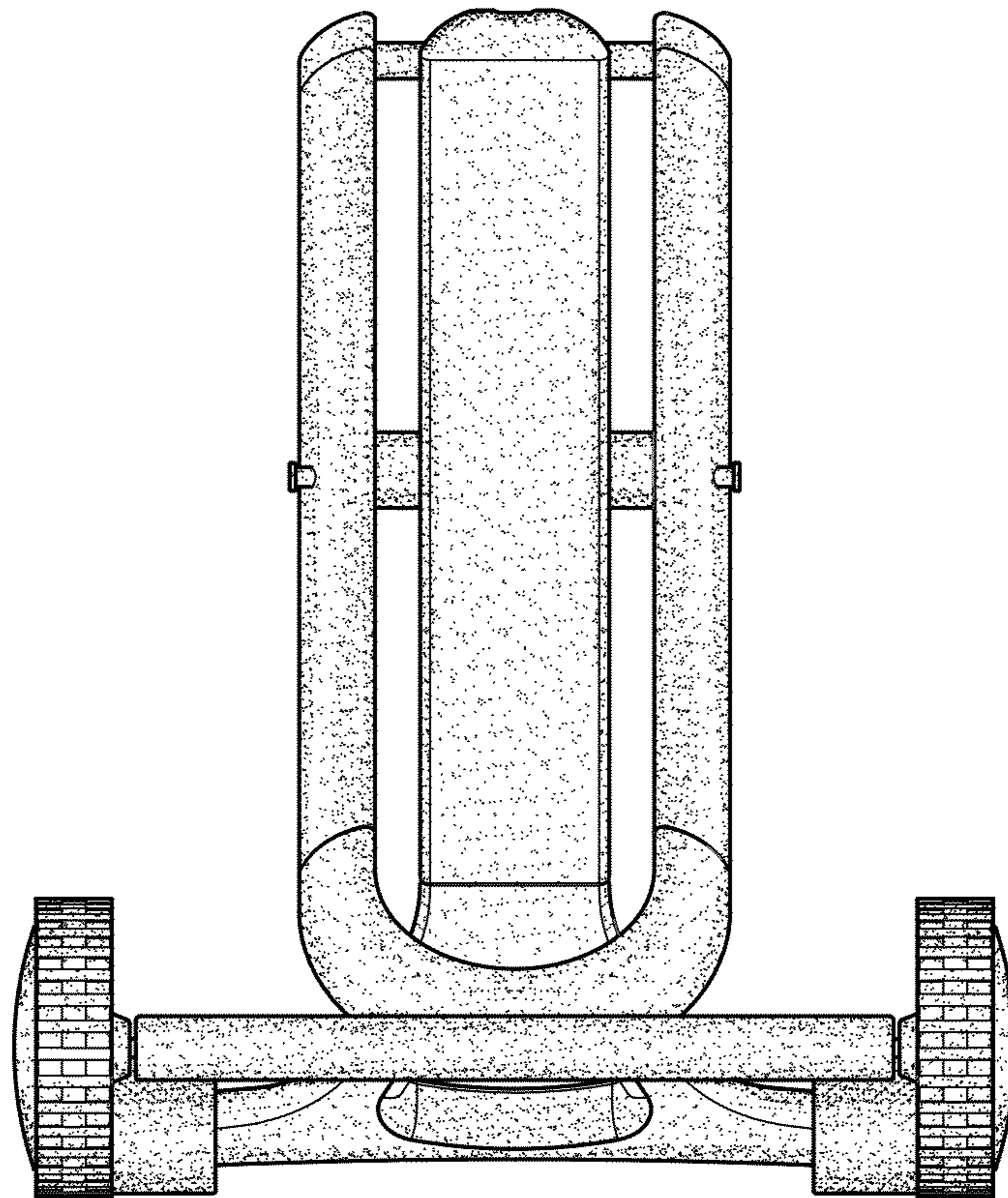


FIG. 4

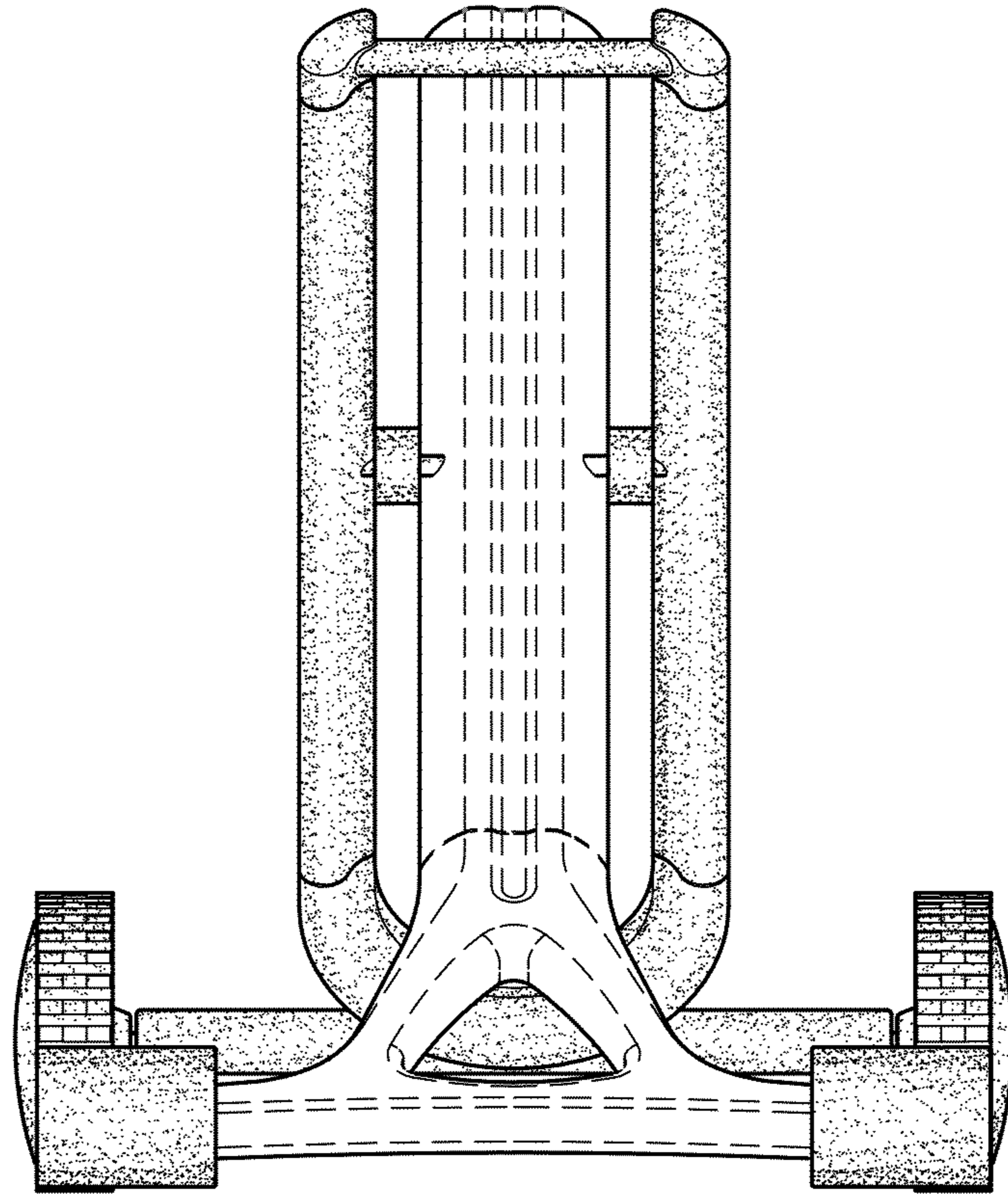


FIG. 5

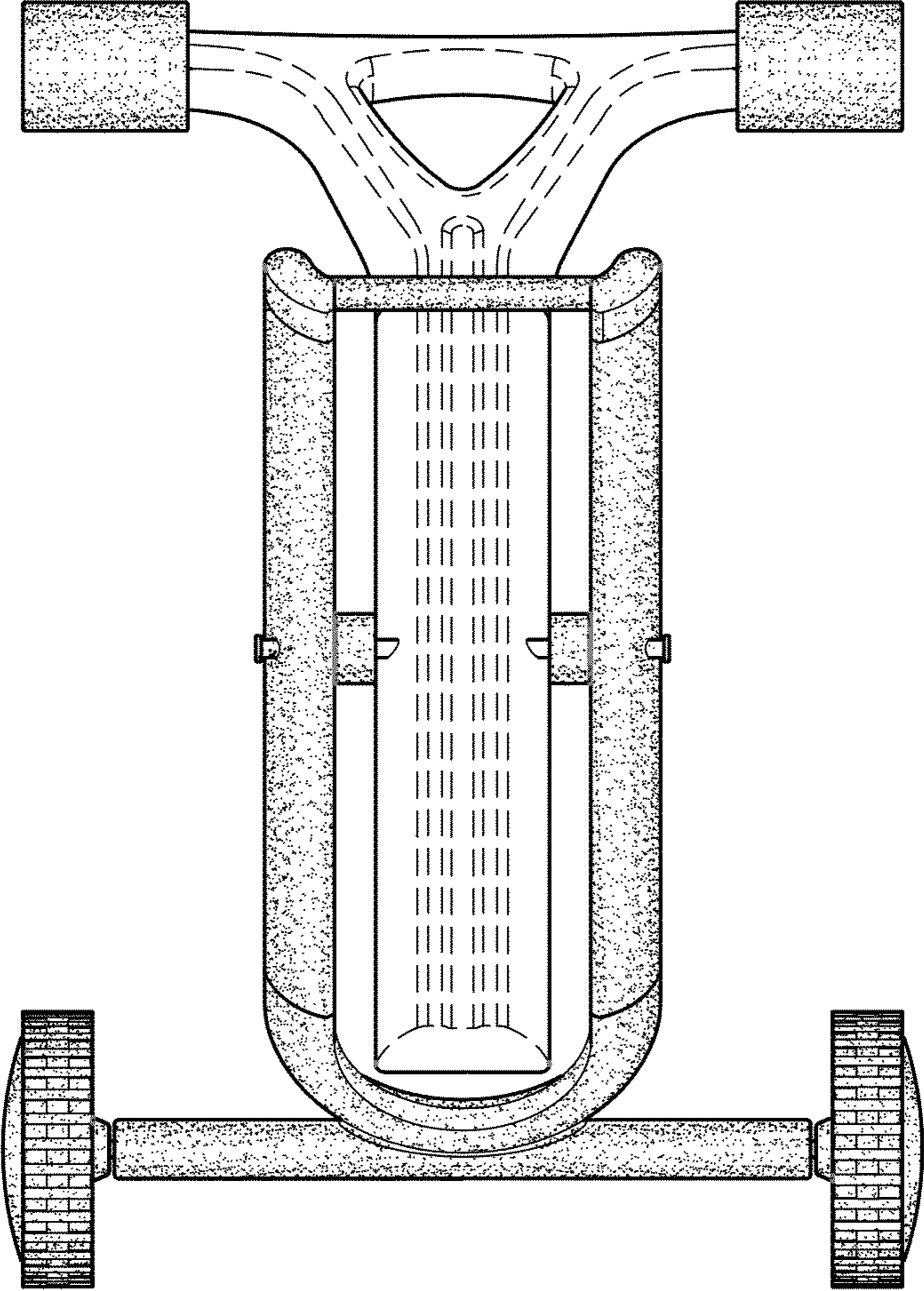


FIG. 6



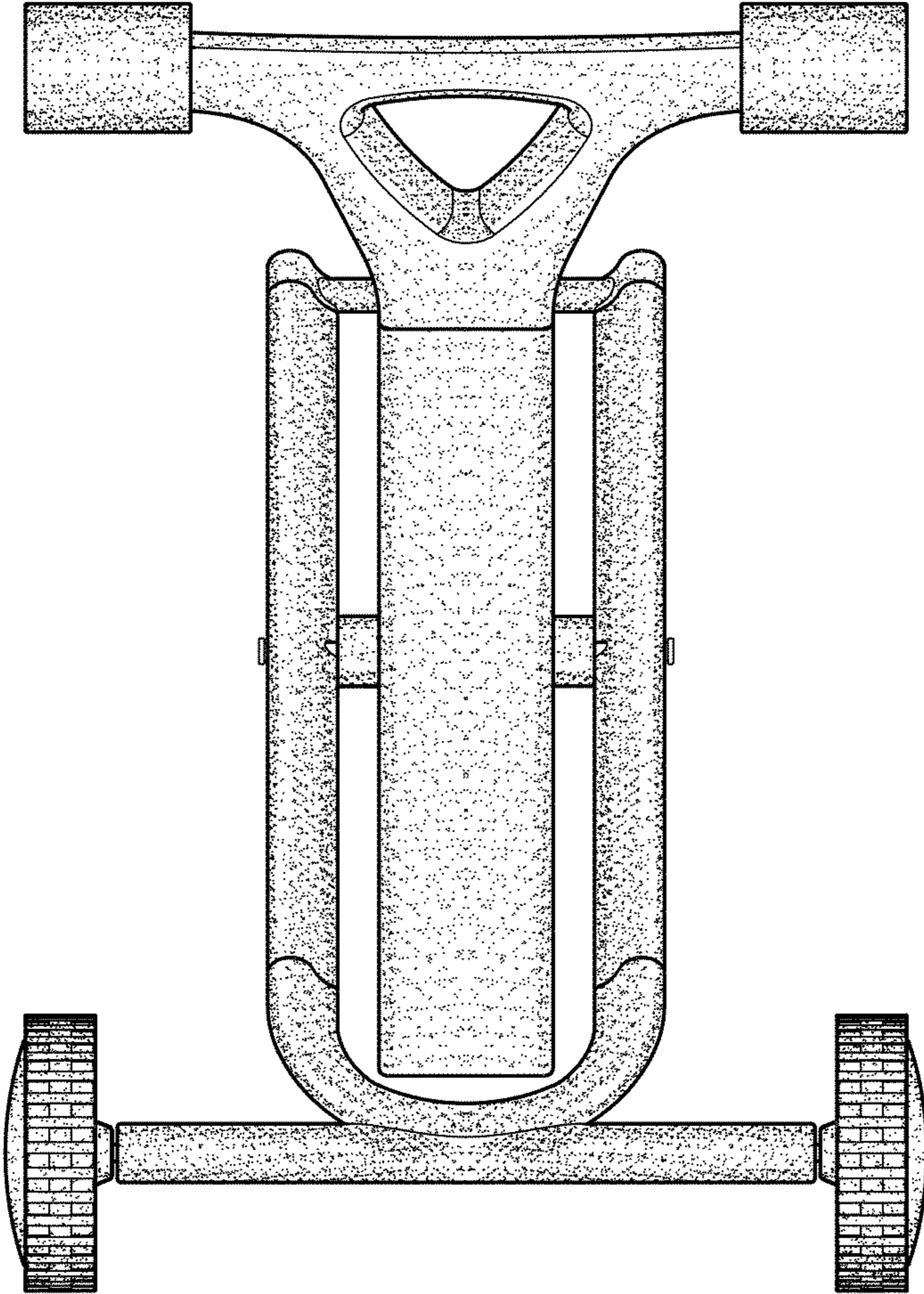


FIG. 7



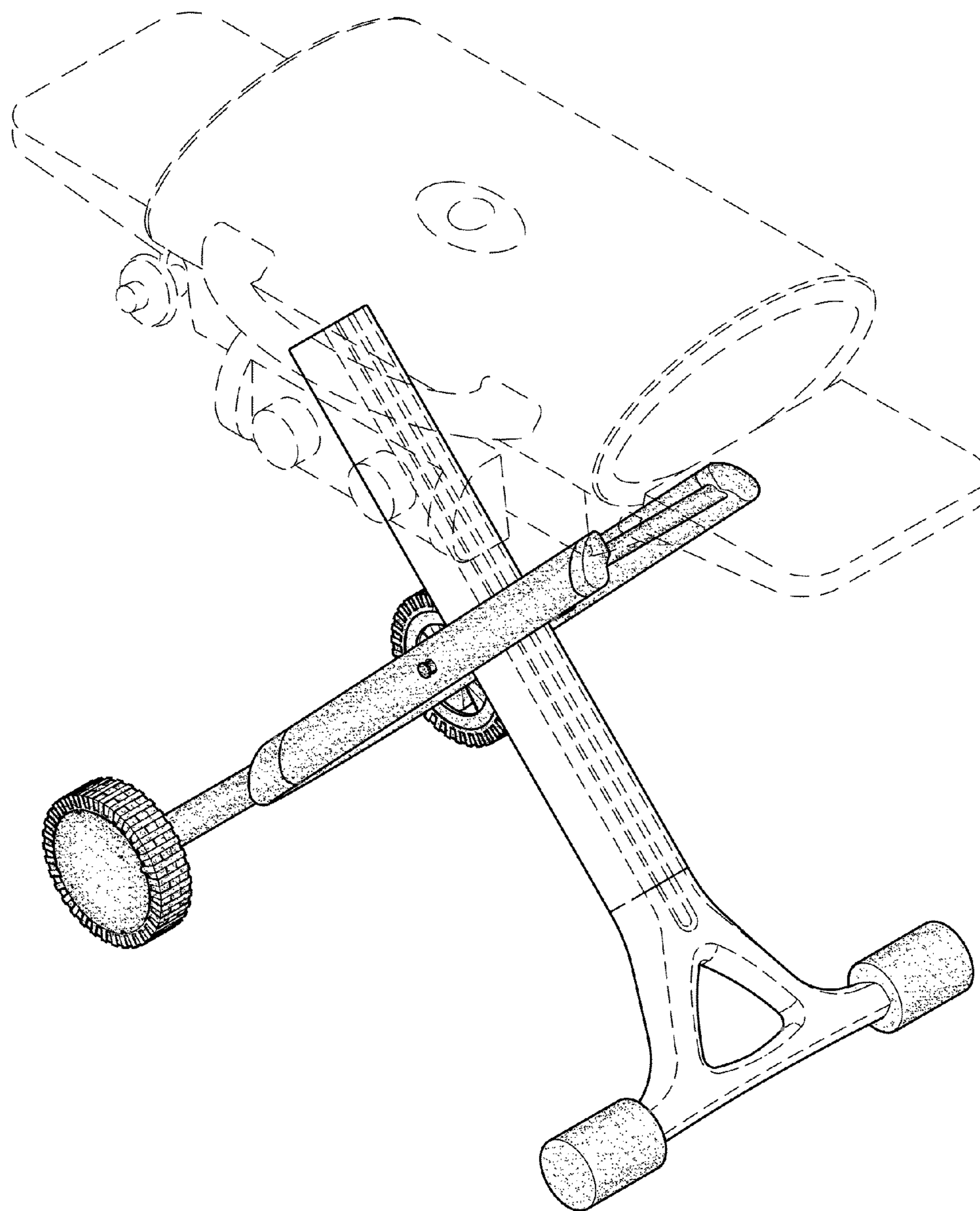


FIG. 8

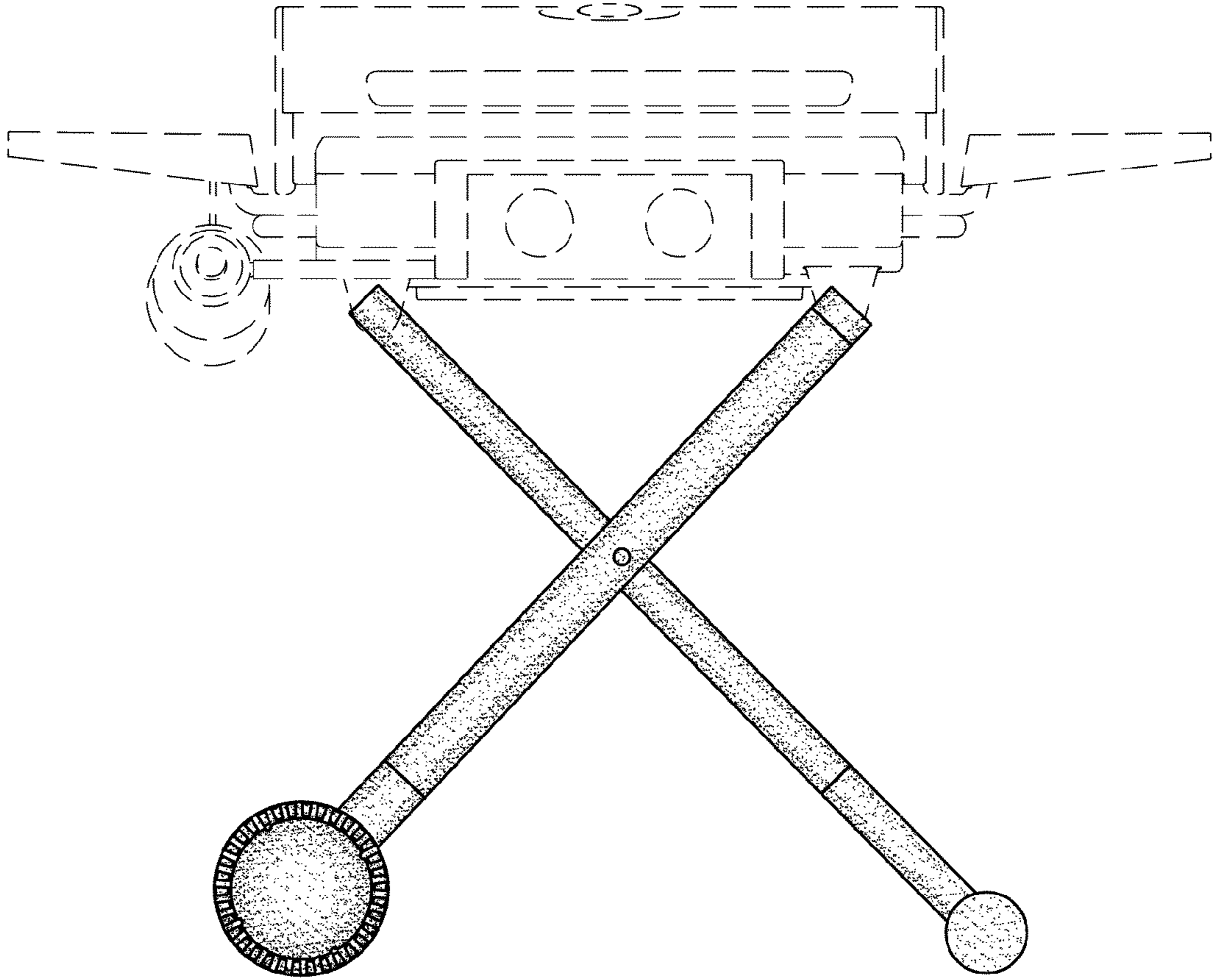


FIG. 9