



US00D706079S

(12) **United States Design Patent**  
**Dicocco**

(10) **Patent No.:** **US D706,079 S**  
(45) **Date of Patent:** **\*\* Jun. 3, 2014**

(54) **FLATWARE**

**DESCRIPTION**

- (71) Applicant: **Oneida Ltd.**, Oneida, NY (US)
- (72) Inventor: **Michael Dicocco**, Chittenango, NY (US)
- (73) Assignee: **Oneida Ltd.**, Oneida, NY (US)
- (\*\*) Term: **14 Years**
- (21) Appl. No.: **29/451,072**
- (22) Filed: **Mar. 27, 2013**
- (51) **LOC (10) Cl.** ..... **07-03**
- (52) **U.S. Cl.**  
USPC ..... **D7/401.2; D7/642; D7/653; D7/661**
- (58) **Field of Classification Search**  
USPC ..... **D7/368, 393-395, 401.2, 642-648,**  
**D7/649-657, 660-664, 669, 675-677, 683,**  
**D7/688-692, 695-696; 30/120.1, 137,**  
**30/141-143, 147-150, 322-327, 329, 340,**  
**30/342-344; 416/70 R, 75**  
See application file for complete search history.

(56) **References Cited**

**U.S. PATENT DOCUMENTS**

D38,745 S *	8/1907	Edmonston .....	D7/656
D158,818 S *	5/1950	Titensky .....	D7/648
D232,692 S *	9/1974	Kayhoe .....	D7/653
D252,010 S *	6/1979	Manderfield .....	D7/656
D362,792 S *	10/1995	Shane-Schuldt .....	D7/657
D371,282 S *	7/1996	Ronick .....	D7/653
D405,658 S *	2/1999	Crane et al. ....	D7/653
D414,382 S *	9/1999	Crane et al. ....	D7/643
D507,941 S *	8/2005	Tranfaglia et al. ....	D7/656
D508,382 S *	8/2005	Tranfaglia et al. ....	D7/656

\* cited by examiner

*Primary Examiner* — Ricky Pham

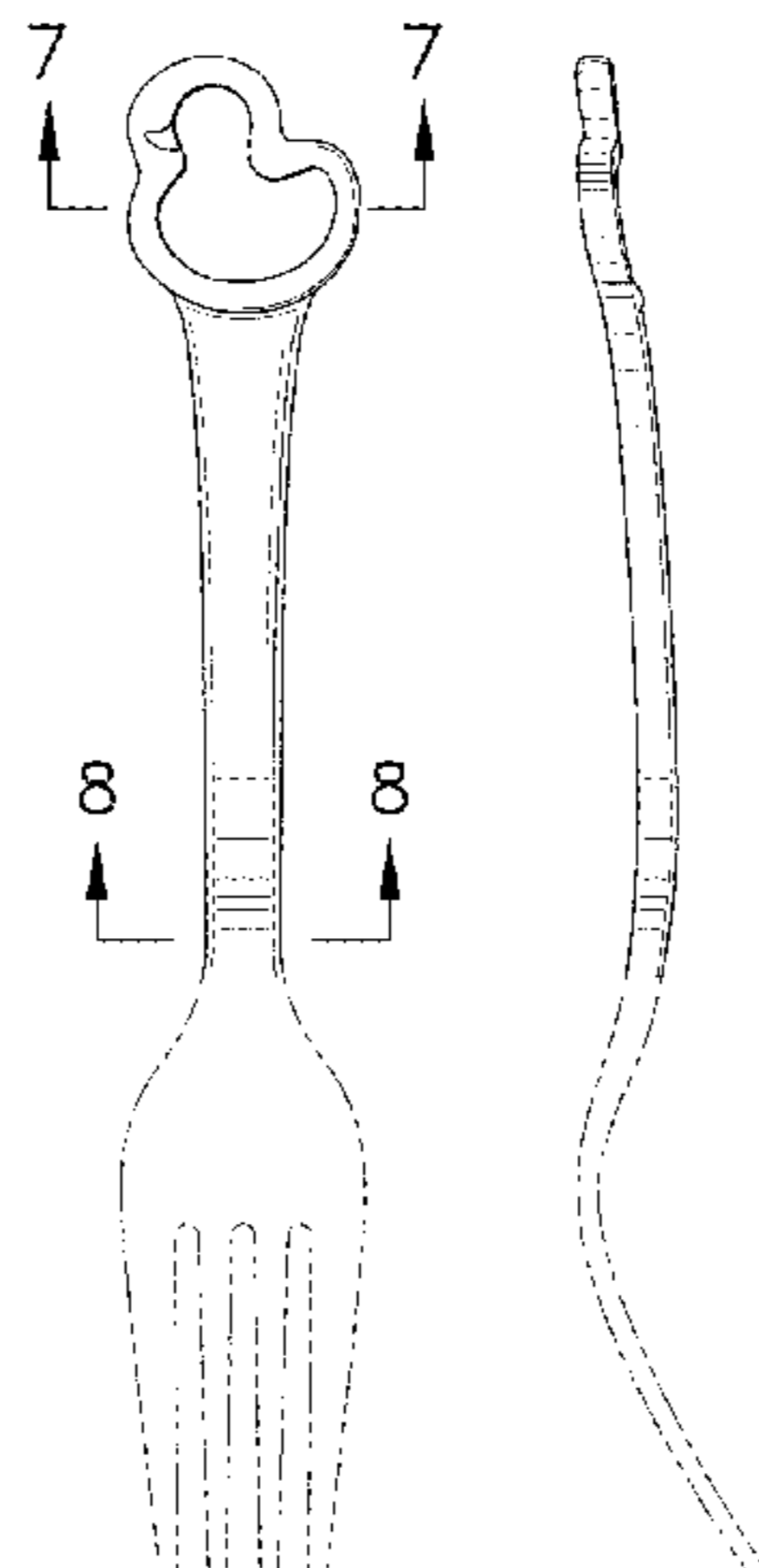
(74) *Attorney, Agent, or Firm* — Frost Brown Todd LLC

(57) **CLAIM**

The ornamental design for flatware, as shown and described.

FIG. 1 is a top plan view of a new ornamental design for flatware embodied as a fork.  
 FIG. 2 is a bottom plan view thereof.  
 FIG. 3 is a side elevation view thereof.  
 FIG. 4 is a side elevation view thereof, shown from the opposite side of that shown in FIG. 3.  
 FIG. 5 is an end view thereof, shown from the end of the handle.  
 FIG. 6 is an end view thereof, shown from the opposite end of that shown in FIG. 5.  
 FIG. 7 is a cross-sectional view taken along section line 7-7 of FIG. 1 to illustrate the peripheral shape of the article at the cross-section.  
 FIG. 8 is a cross-sectional view taken along section line 8-8 of FIG. 1 to illustrate the peripheral shape of the article at the cross-section.  
 FIG. 9 is a top plan view of a new ornamental design for flatware embodied as a spoon.  
 FIG. 10 is a bottom plan view thereof.  
 FIG. 11 is a side elevation view thereof.  
 FIG. 12 is a side elevation view thereof, shown from the opposite side of that shown in FIG. 11.  
 FIG. 13 is an end view thereof, shown from the end of the handle.  
 FIG. 14 is an end view thereof, shown from the opposite end of that shown in FIG. 13.  
 FIG. 15 is a cross-sectional view taken along section line 15-15 of FIG. 9 to illustrate the peripheral shape of the article at the cross-section; and,  
 FIG. 16 is a cross-sectional view taken along section line 16-16 of FIG. 9 to illustrate the peripheral shape of the article at the cross-section.  
 The broken lines in the drawings are included for purposes of illustrating portions of the article that form no part of the claimed design.

**1 Claim, 3 Drawing Sheets**



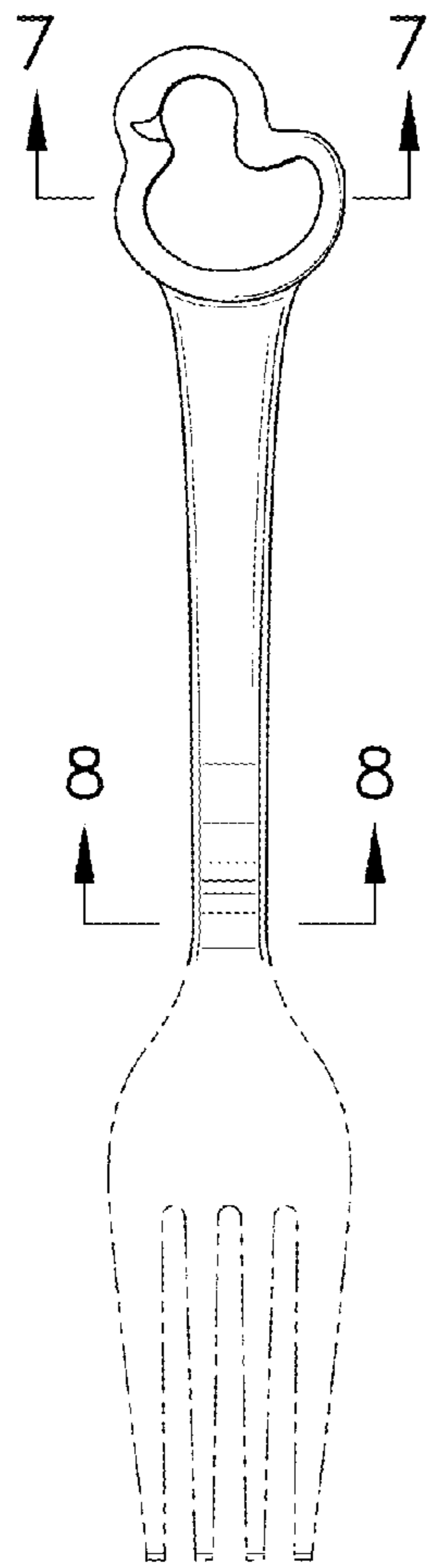


Fig.1

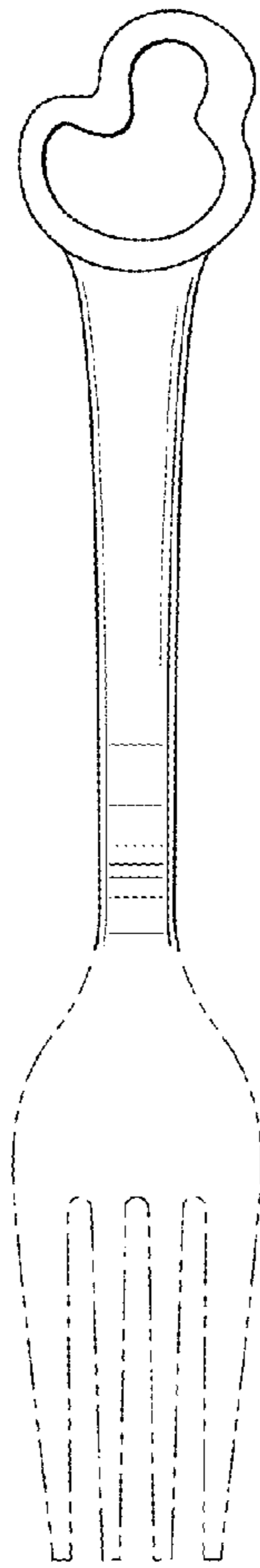


Fig.2

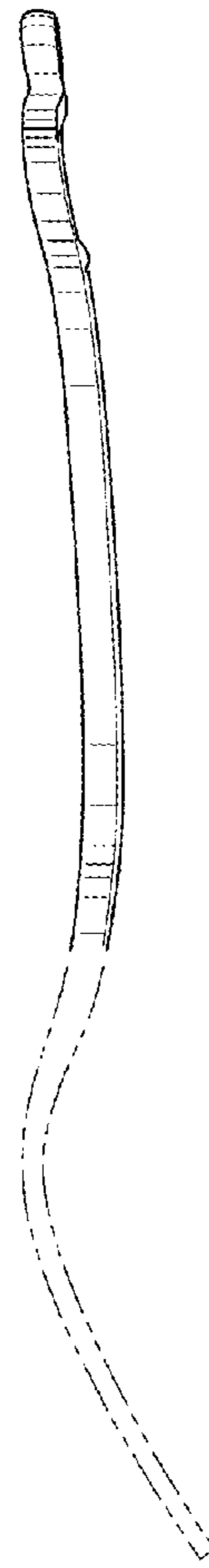


Fig.3

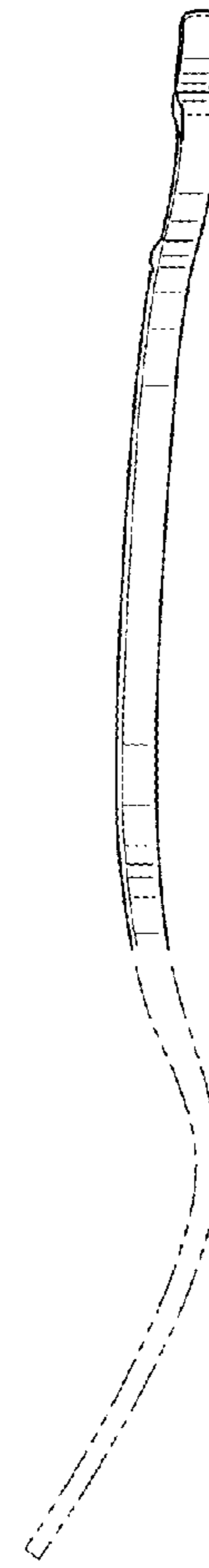


Fig.4

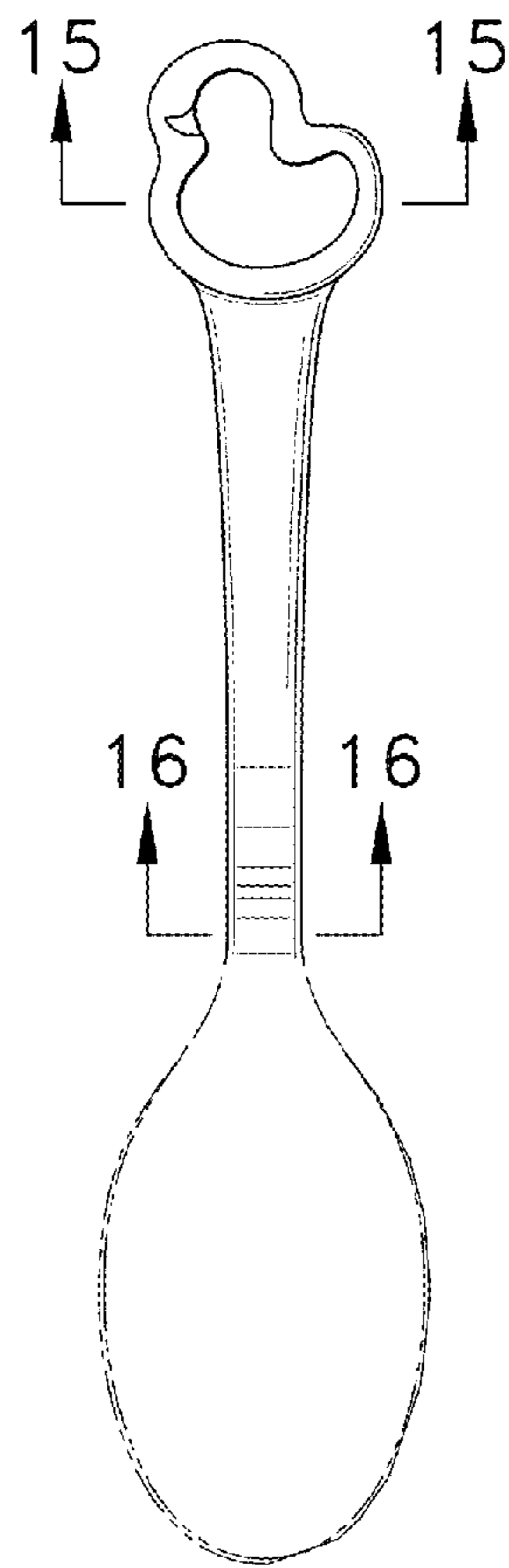


Fig.9

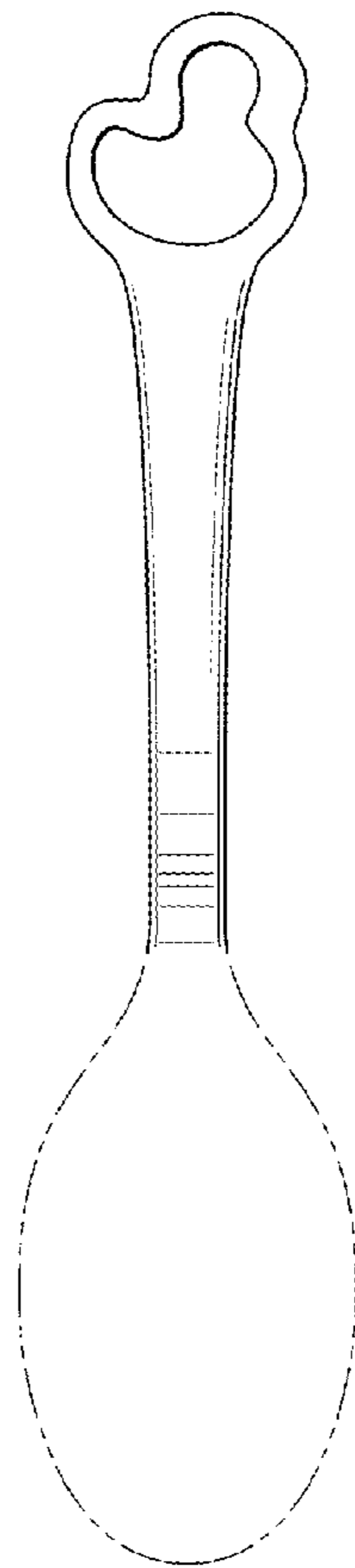


Fig.10

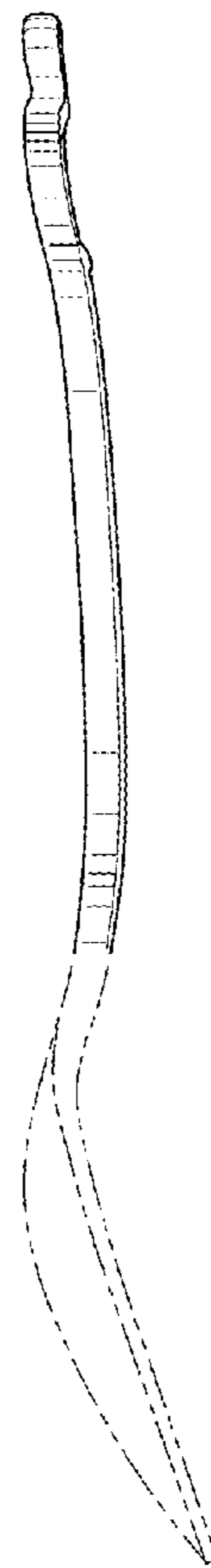


Fig.11

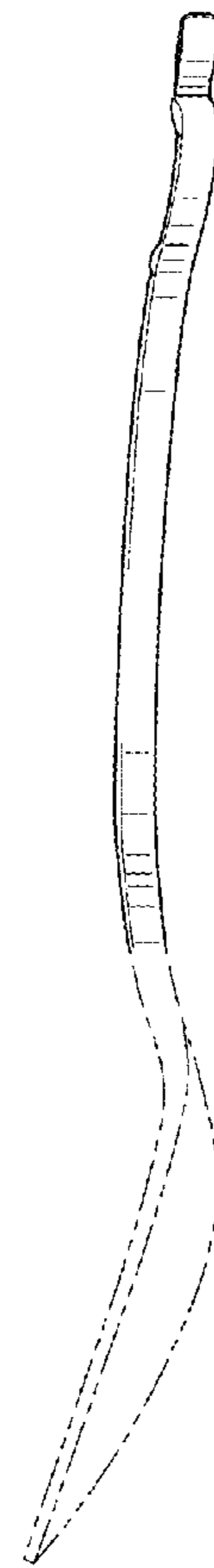


Fig.12

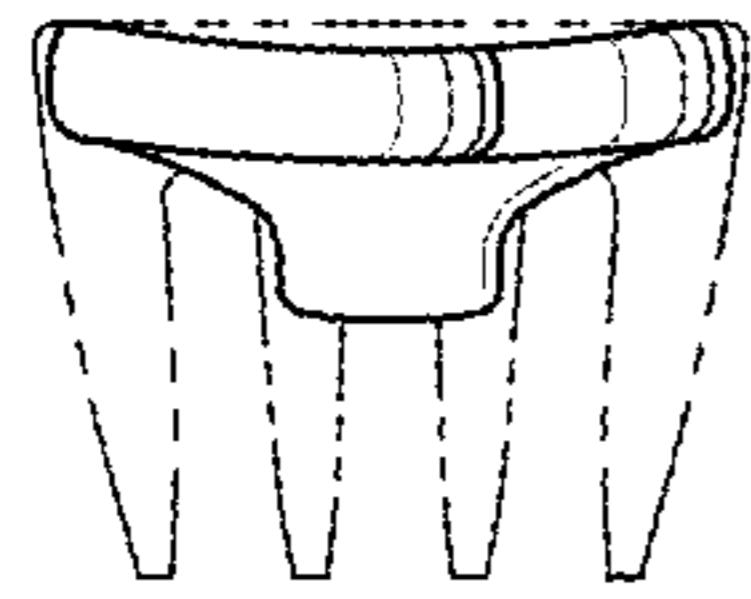


Fig. 5

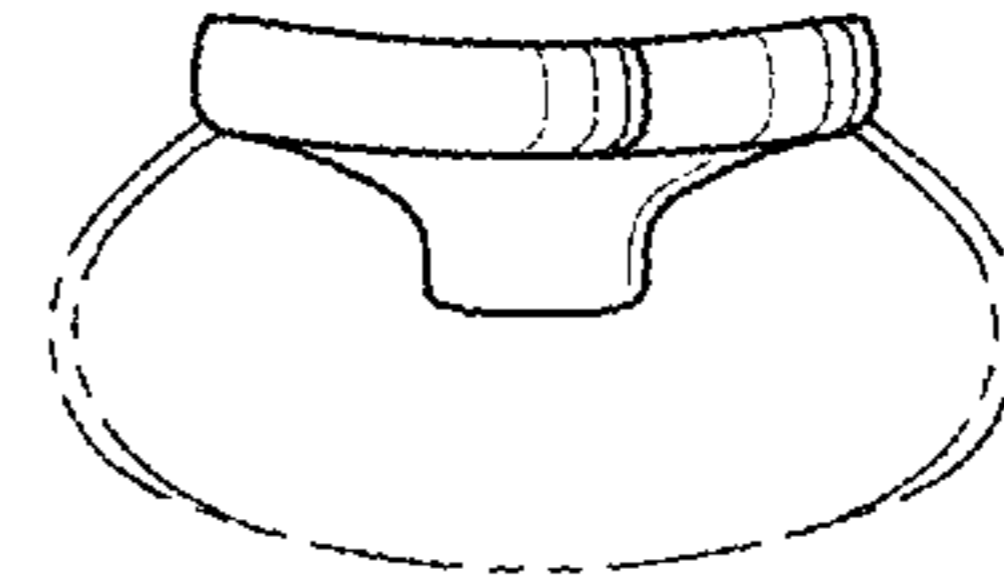


Fig. 13

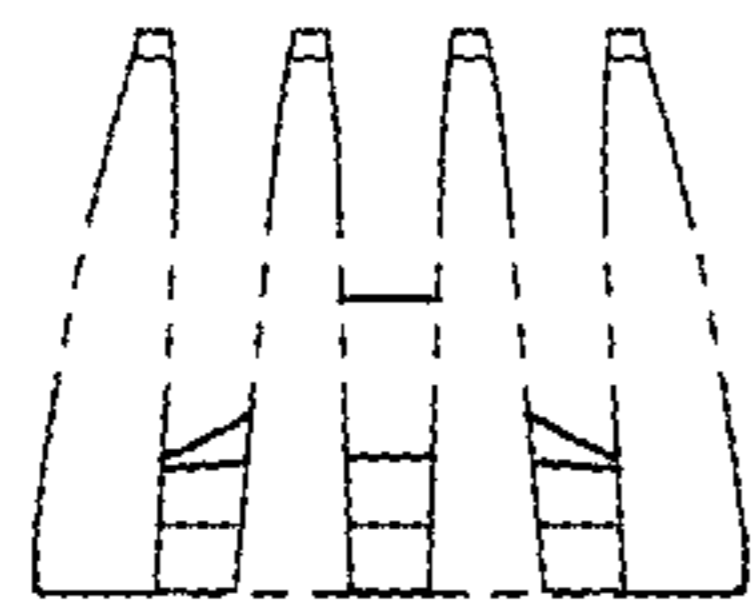


Fig. 6

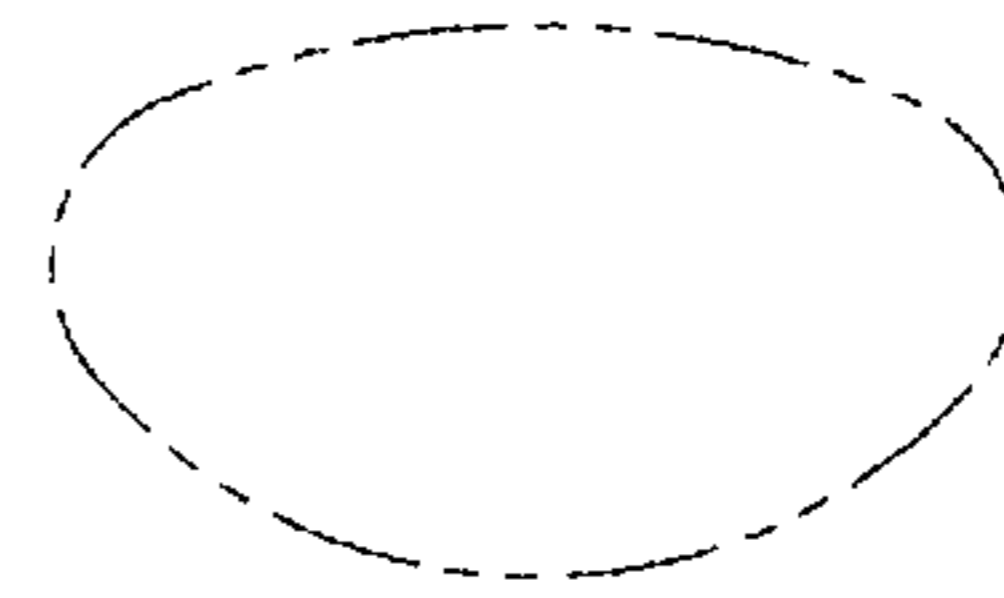


Fig. 14

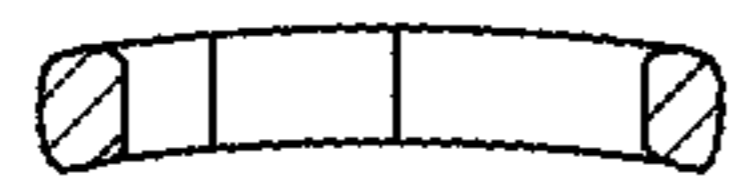


Fig. 7

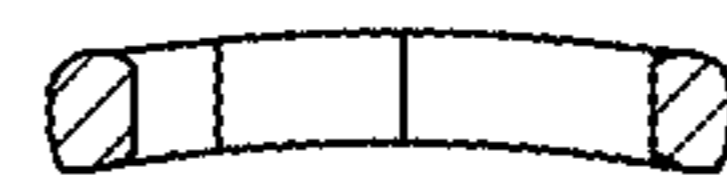


Fig. 15



Fig. 8



Fig. 16