



US00D706072S

(12) **United States Design Patent**  
**Paslawski**

(10) **Patent No.:** **US D706,072 S**

(45) **Date of Patent:** **\*\* Jun. 3, 2014**

(54) **COMBINED BEER BOTTLE GRILL AND COOLER**

(71) Applicant: **Raymond N. Paslawski**, Wildwood, MO (US)

(72) Inventor: **Raymond N. Paslawski**, Wildwood, MO (US)

(\*\*) Term: **14 Years**

(21) Appl. No.: **29/436,305**

(22) Filed: **Nov. 2, 2012**

(51) **LOC (10) Cl.** ..... **07-02**

(52) **U.S. Cl.**  
USPC ..... **D7/334**

(58) **Field of Classification Search**  
USPC ..... D7/332, 334-337, 402-404, 406, 409, D7/606; 126/25 R, 41 R, 38, 9 R, 9 A, 9 B, 126/40, 50, 37 R, 304 R, 305; 99/450, 481, 99/482; 248/163.1, 440.1, 188.1, 127; 108/157.13; D9/519, 549, 516  
See application file for complete search history.

(56) **References Cited**

**U.S. PATENT DOCUMENTS**

D244,249 S *	5/1977	Boswell et al.	.....	D7/332
4,094,295 A *	6/1978	Boswell et al.	.....	126/25 R
D374,371 S *	10/1996	Hall McDonald	.....	D7/332
D434,608 S *	12/2000	Hansen	.....	D7/606
D434,662 S *	12/2000	Colonna	.....	D9/516
D434,985 S *	12/2000	Colonna	.....	D9/516
D435,198 S *	12/2000	Hansen	.....	D7/606
D473,428 S *	4/2003	Mak	.....	D7/606
D510,835 S *	10/2005	Pai	.....	D7/334
D519,788 S *	5/2006	Ringuet	.....	D7/606
D524,091 S *	7/2006	Lai	.....	D7/332

D546,615 S *	7/2007	Griffard	.....	D7/332
D546,617 S *	7/2007	Griffard	.....	D7/335
D550,022 S *	9/2007	Amajuwon et al.	.....	D7/332
D560,954 S *	2/2008	Pai	.....	D7/335
D598,698 S *	8/2009	Lee	.....	D7/332
D608,135 S *	1/2010	Siow et al.	.....	D7/335
D642,416 S *	8/2011	Scott et al.	.....	D7/332
D650,215 S *	12/2011	Chung	.....	D7/332
2008/0047541 A1 *	2/2008	Fou et al.	.....	126/25 R

\* cited by examiner

*Primary Examiner* — Ruth McInroy

(74) *Attorney, Agent, or Firm* — Harness, Dickey & Pierce, P.L.C.

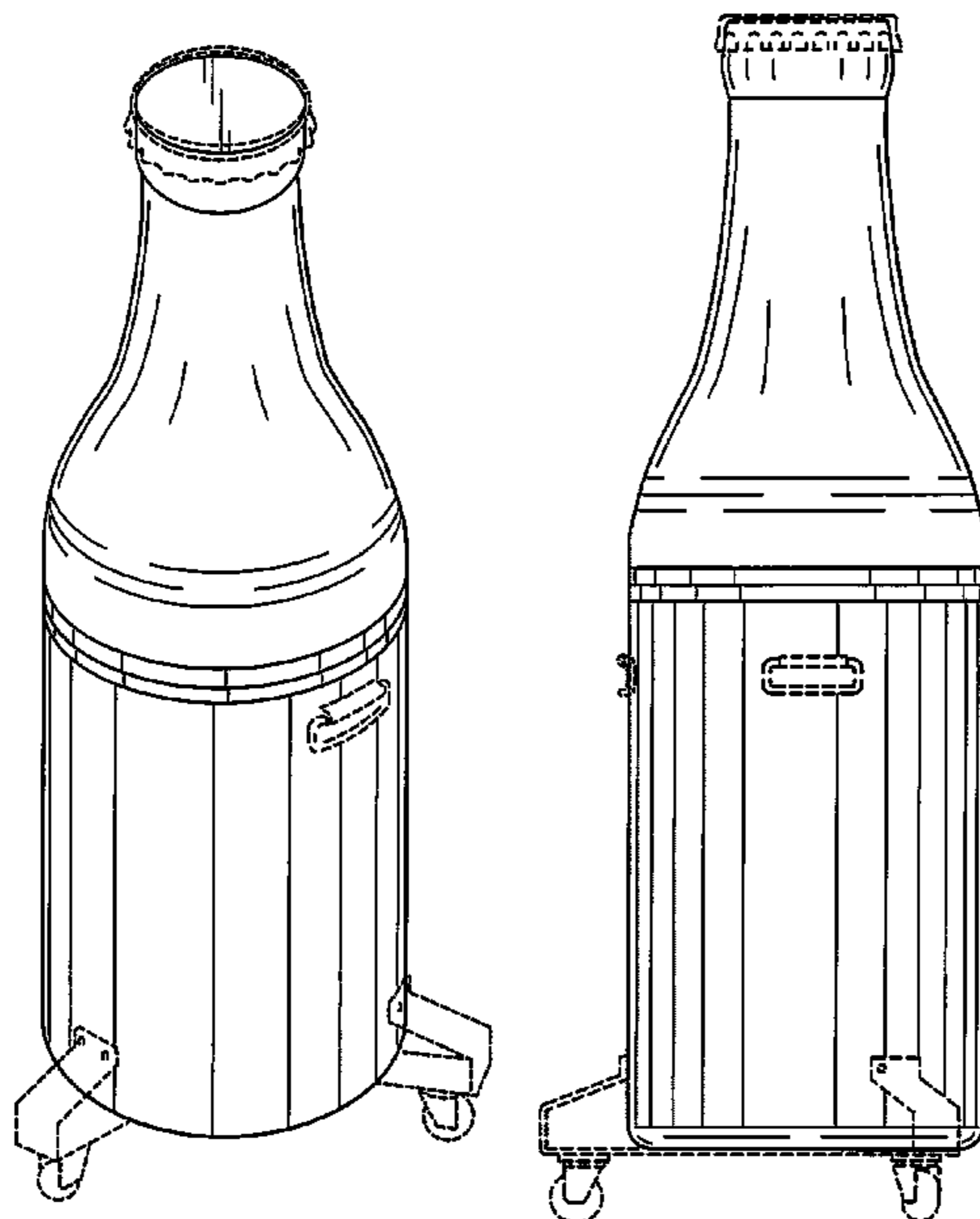
(57) **CLAIM**

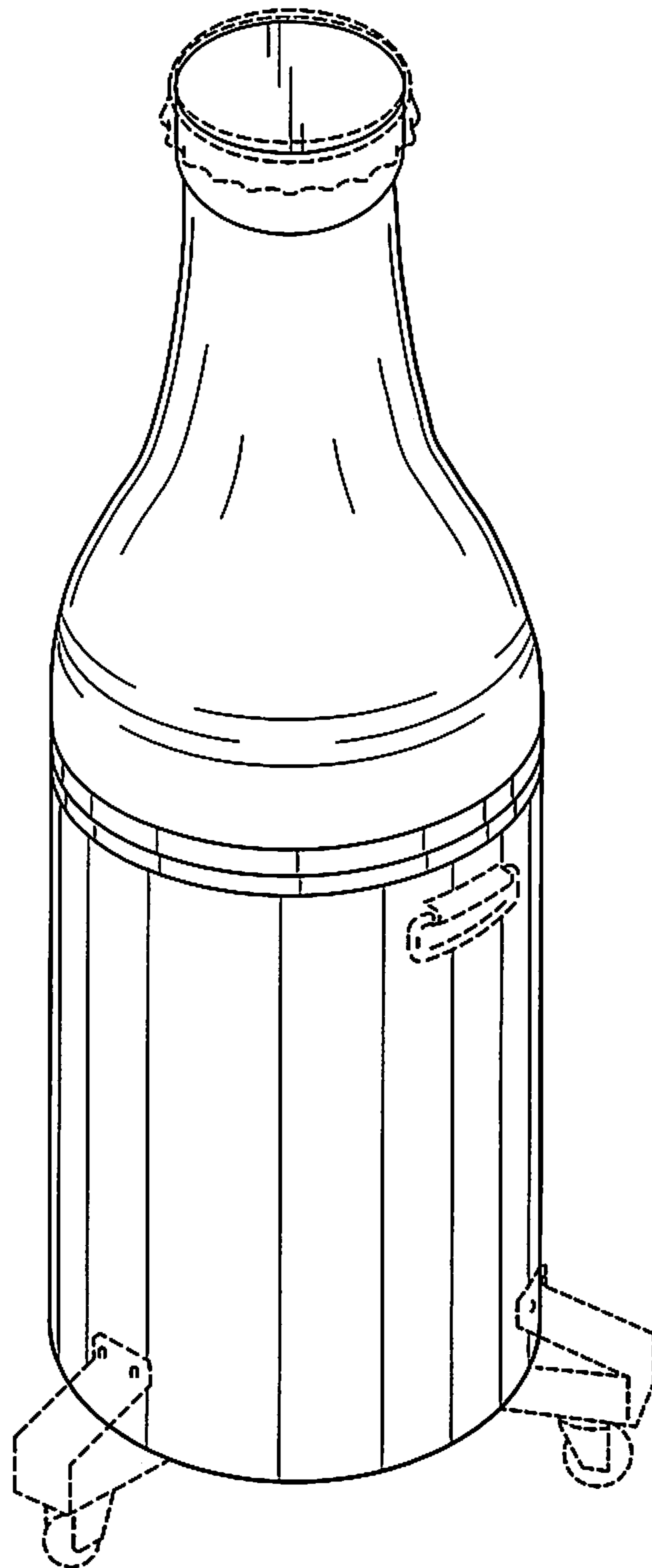
The ornamental design for a combined beer bottle grill and cooler, as shown and described.

**DESCRIPTION**

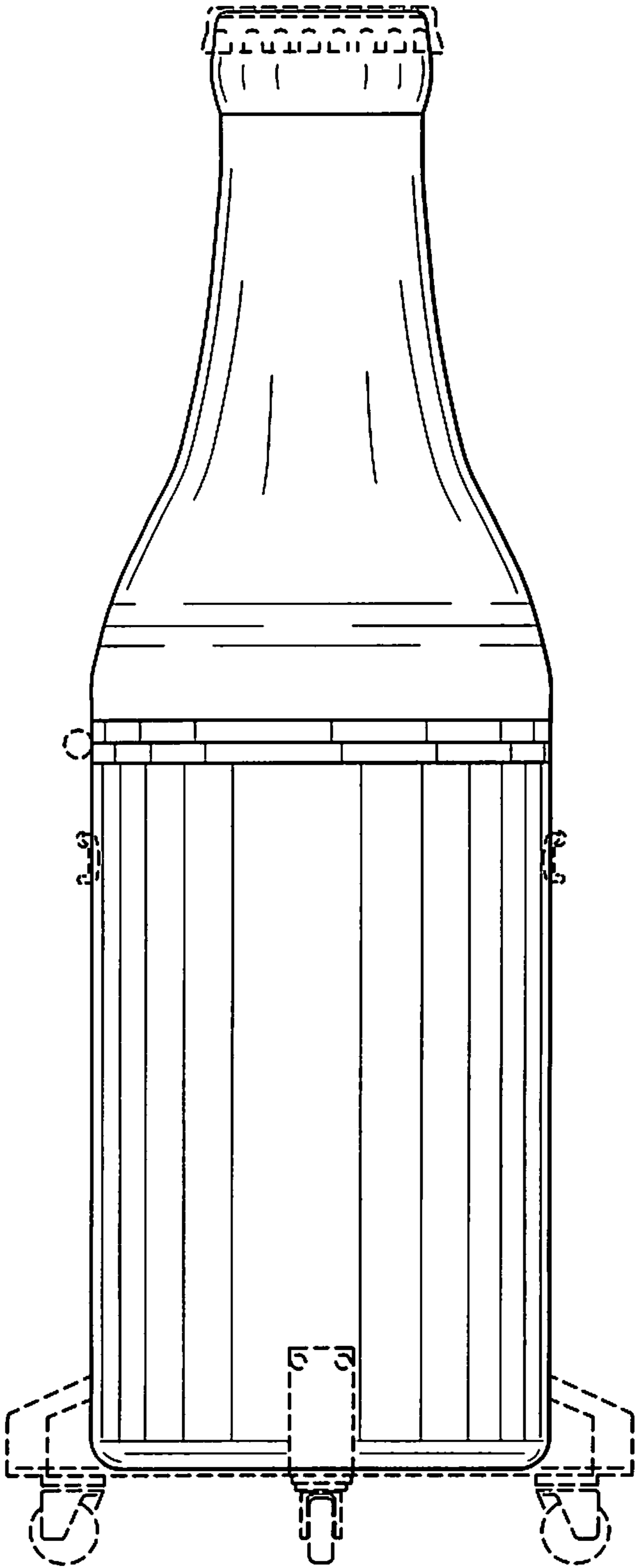
FIG. 1 is a perspective view of a combined beer bottle grill and cooler, according to my design;  
FIG. 2 is a front elevation view thereof;  
FIG. 3 is a rear elevation view thereof;  
FIG. 4 is a right-side elevation view thereof;  
FIG. 5 is a left-side elevation view thereof;  
FIG. 6 is a top plan view thereof;  
FIG. 7 is a bottom plan view thereof;  
FIG. 8 is a perspective view thereof, in an open position;  
FIG. 9 is a front elevation view of FIG. 8;  
FIG. 10 is a perspective view thereof, similar to FIG. 8 showing the covers removed; and,  
FIG. 11 is a perspective view thereof, similar to FIG. 8 with the unclaimed grate in an alternate position.  
The details shown in broken lines form no part of the claimed design.

**1 Claim, 10 Drawing Sheets**

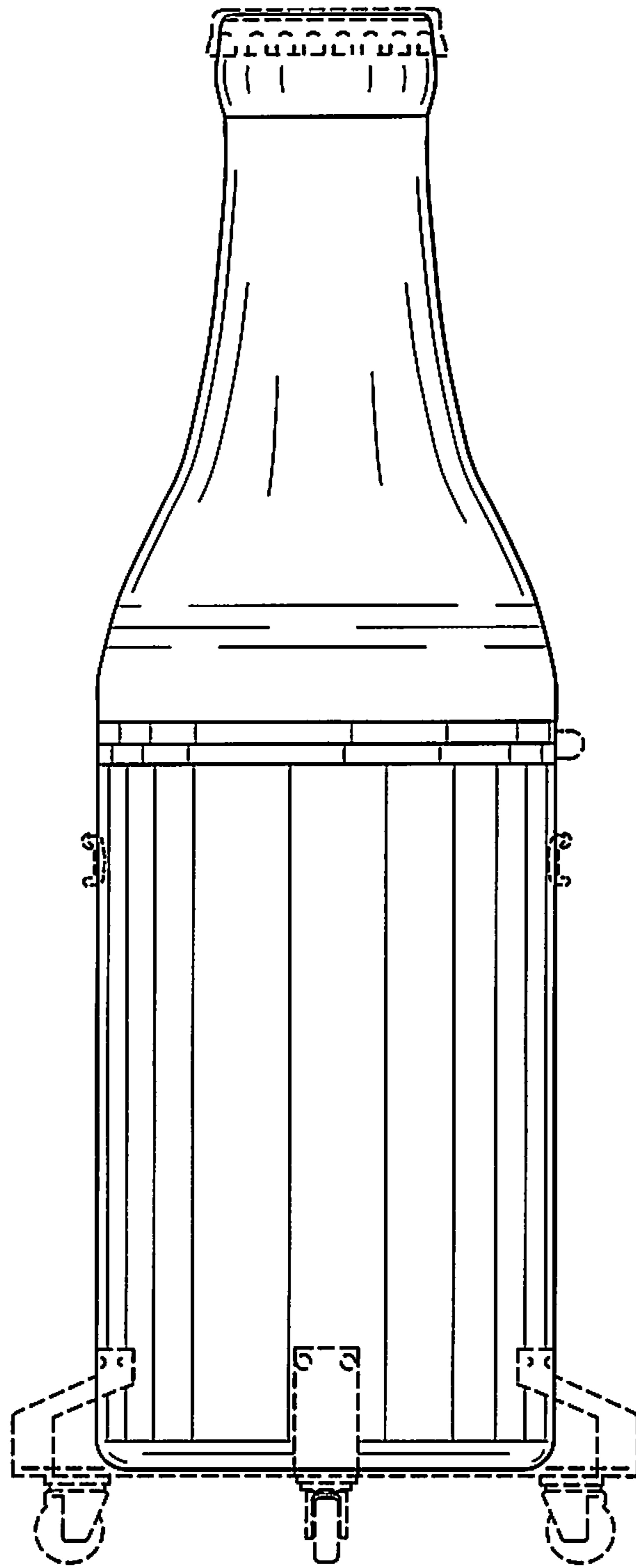




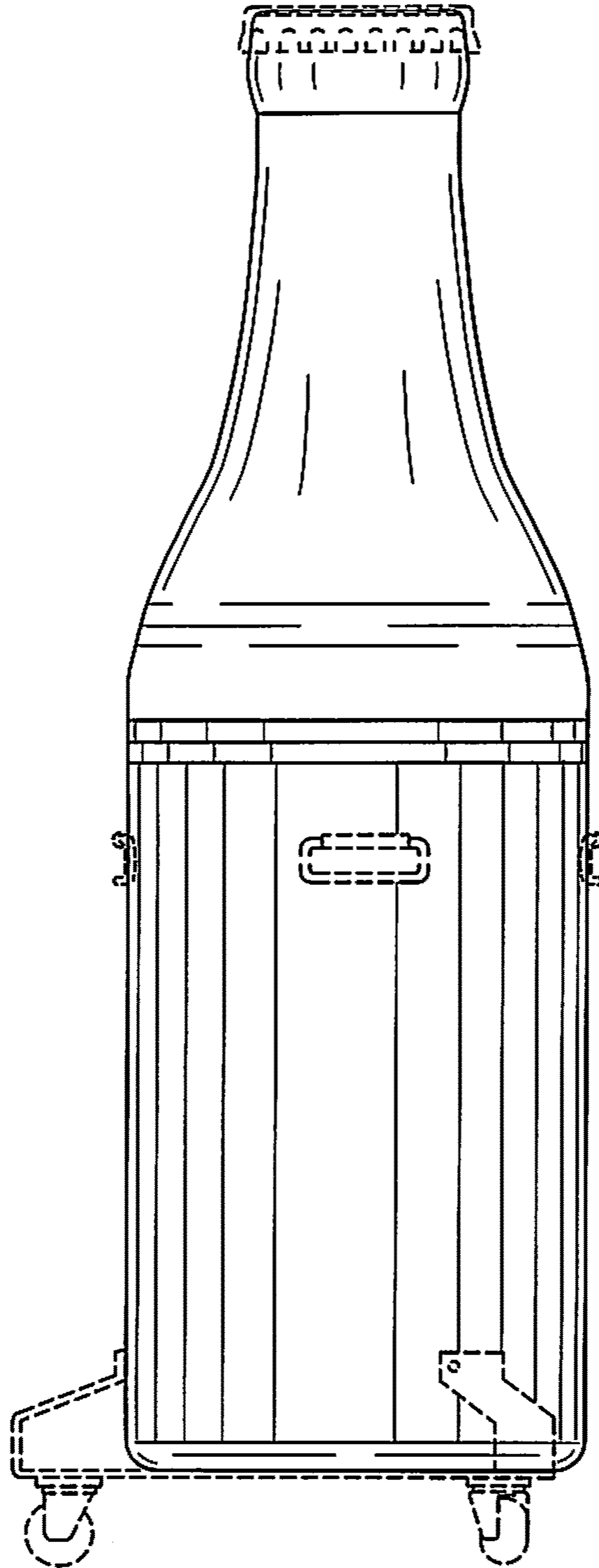
**FIG. 1**



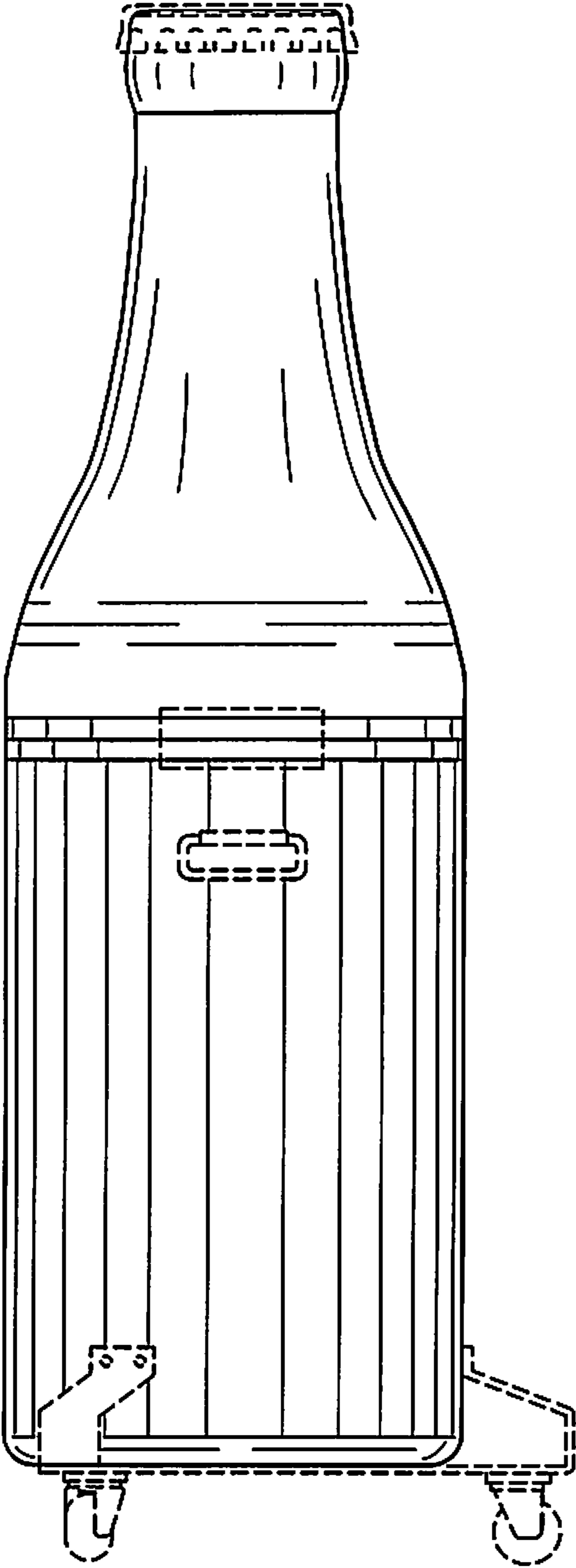
**FIG. 2**



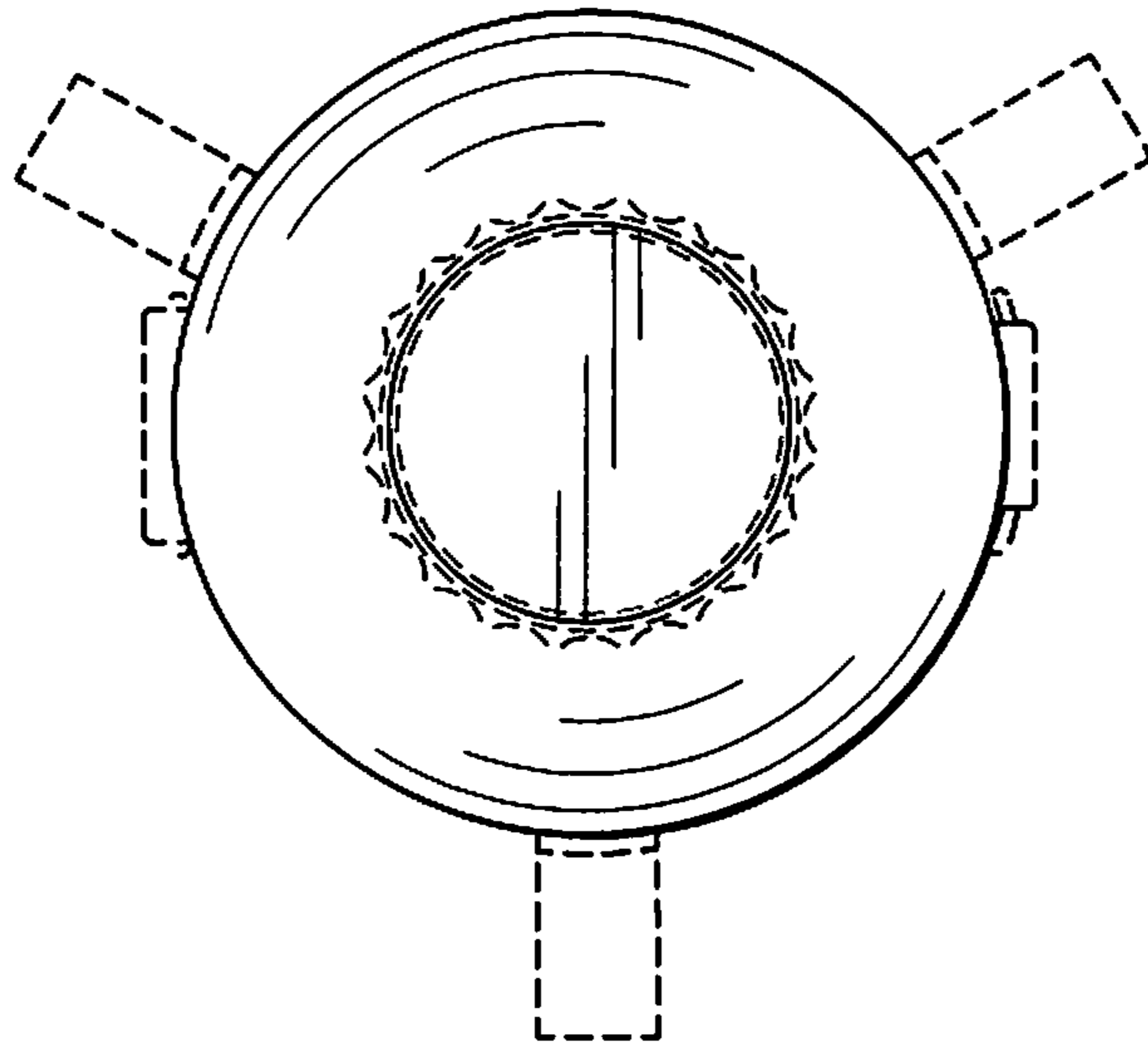
**FIG. 3**



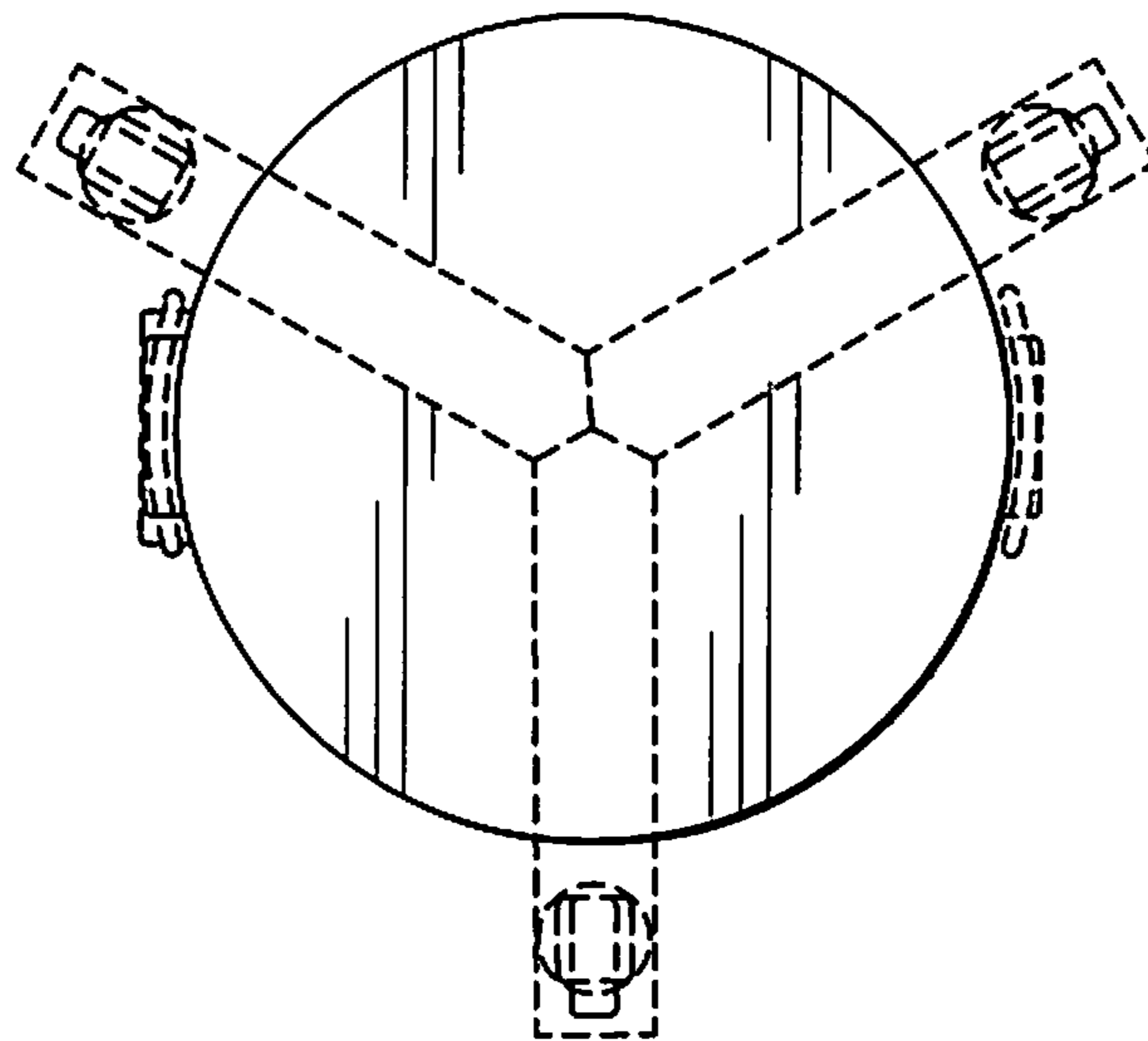
**FIG. 4**



**FIG. 5**

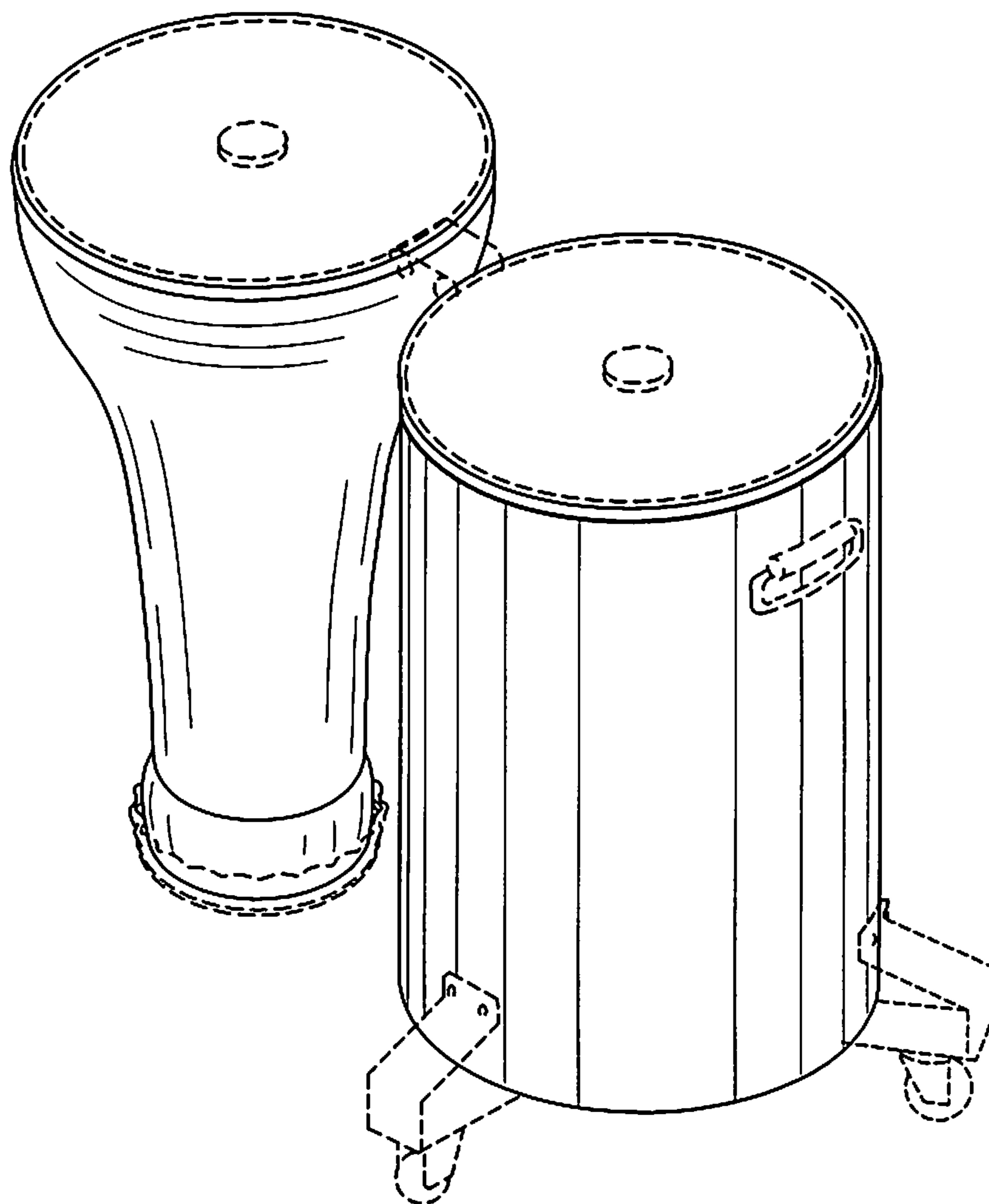


**FIG. 6**



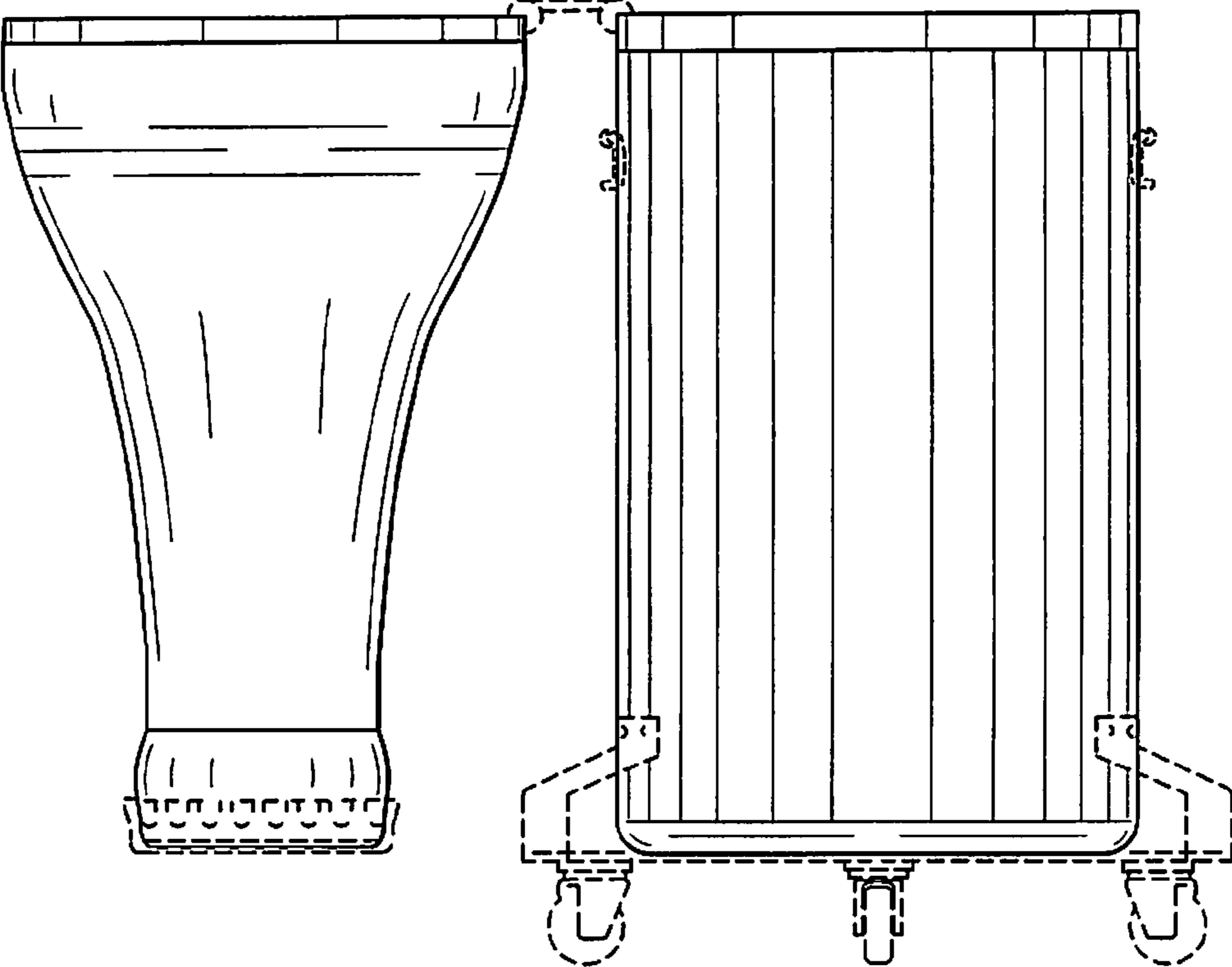
**FIG. 7**



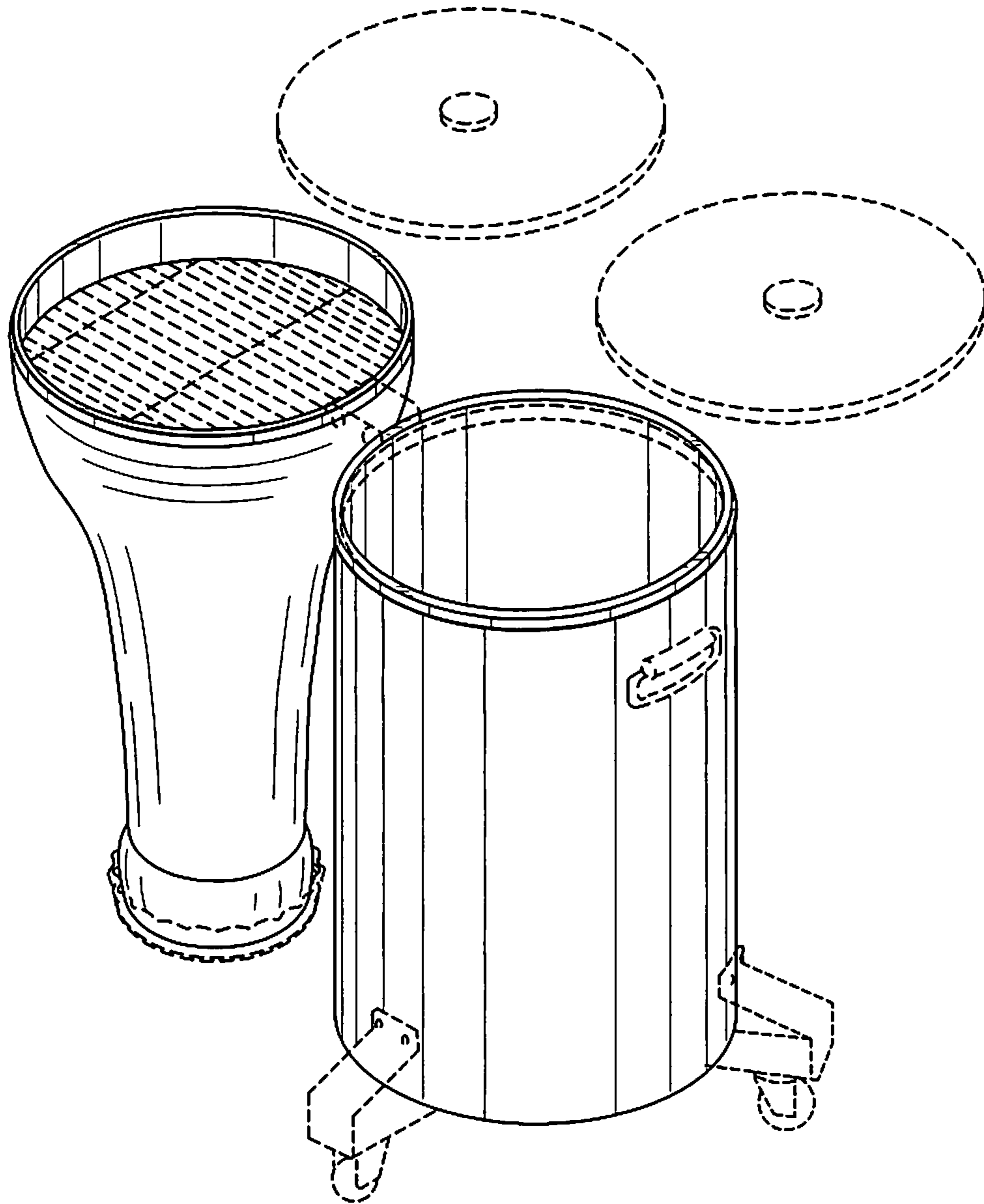


**FIG. 8**

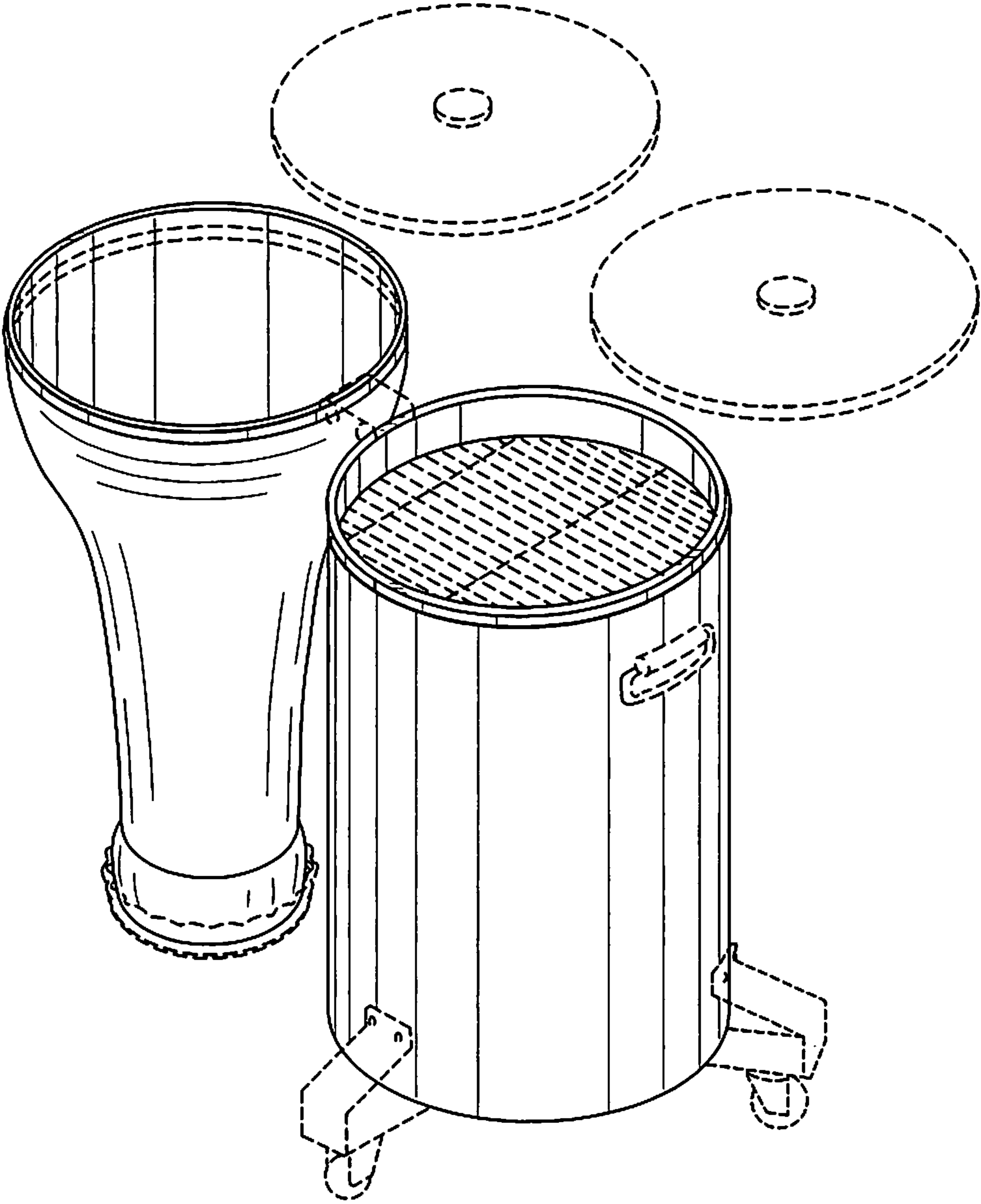




**FIG. 9**



**FIG. 10**



**FIG. 11**