



US00D706071S

(12) **United States Design Patent**
Lanciers et al.

(10) **Patent No.:** **US D706,071 S**
(45) **Date of Patent:** **** Jun. 3, 2014**

(54) **FURNITURE TRIM**

(76) Inventors: **Arthur C. Lanciers**, Columbus, OH (US); **Tony Yang**, New Albany, OH (US)

(**) Term: **14 Years**

(21) Appl. No.: **29/418,136**

(22) Filed: **Apr. 12, 2012**

(51) **LOC (10) Cl.** **06-06**

(52) **U.S. Cl.**
USPC **D6/719**

(58) **Field of Classification Search**
USPC D6/50-508, 668.2, 671.1, 719, 719.43;
D7/566, 586; 5/2.1, 53.1, 279.1,
5/280-281, 907; 312/114, 138.1, 204,
312/224, 237, 257.1, 278, 279
See application file for complete search history.

(56) **References Cited**

U.S. PATENT DOCUMENTS

| | | | | |
|--------------|---------|----------------|-------|---------|
| D311,053 S * | 10/1990 | Delepine | | D23/213 |
| D434,277 S * | 11/2000 | Martel | | D7/586 |
| D452,093 S * | 12/2001 | Johnson | | D6/509 |
| D460,293 S * | 7/2002 | Vaaler | | D6/441 |
| D488,640 S * | 4/2004 | Domack | | D6/446 |
| D504,036 S * | 4/2005 | Risdon et al. | | D6/441 |
| D588,824 S * | 3/2009 | Lin | | D6/339 |
| D589,301 S * | 3/2009 | Altiner et al. | | D7/566 |
| D615,768 S * | 5/2010 | Everson et al. | | D6/393 |
| D662,333 S * | 6/2012 | Hoff et al. | | D6/446 |

* cited by examiner

Primary Examiner — Ricky Pham

(74) *Attorney, Agent, or Firm* — Standley Law Group LLP

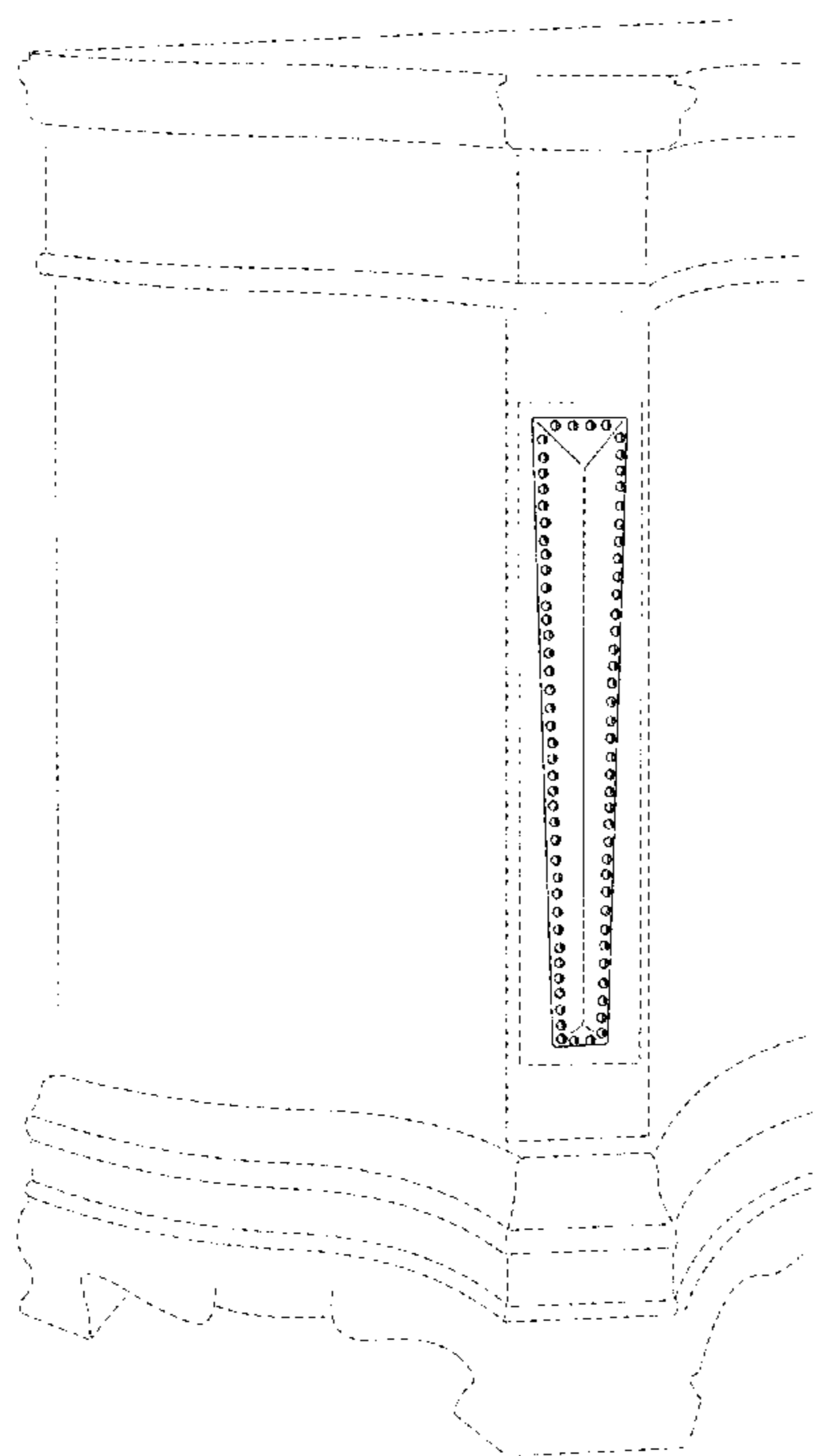
(57) **CLAIM**

The ornamental design for furniture trim, as shown and described.

DESCRIPTION

FIG. 1 is a front and side perspective detailed view of a first embodiment on a first piece;
 FIG. 2 is a front and side perspective view of the first embodiment on multiple pieces;
 FIG. 3 is a front and side perspective view of the first embodiment on a second piece;
 FIG. 4 is a front and side perspective view of the first embodiment on a pair of corresponding pieces;
 FIG. 5 is a front and side perspective view of a second embodiment on a first piece;
 FIG. 6 is a front and side perspective view of the second embodiment on a second piece;
 FIG. 7 is a front and side perspective view of the second embodiment on a third piece;
 FIG. 8 is a front and side perspective view of a third embodiment on a first piece;
 FIG. 9 is a front and side perspective view of a third embodiment on a second piece; and,
 FIG. 10 is a front and side perspective view of a fourth embodiment.
 Broken lining shows features of the furniture trim that are not considered to be part of the design.

1 Claim, 6 Drawing Sheets



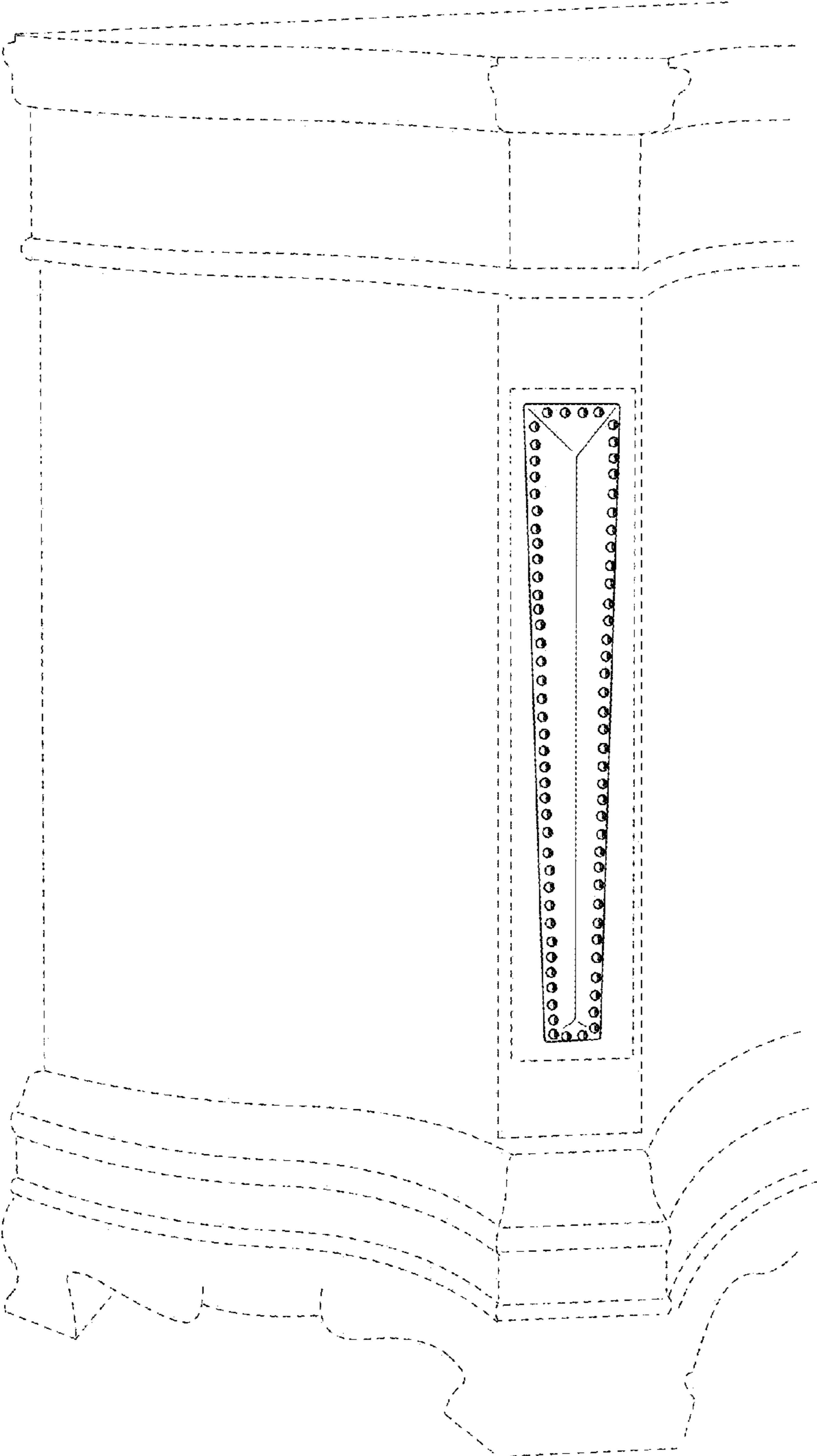


FIG. 1

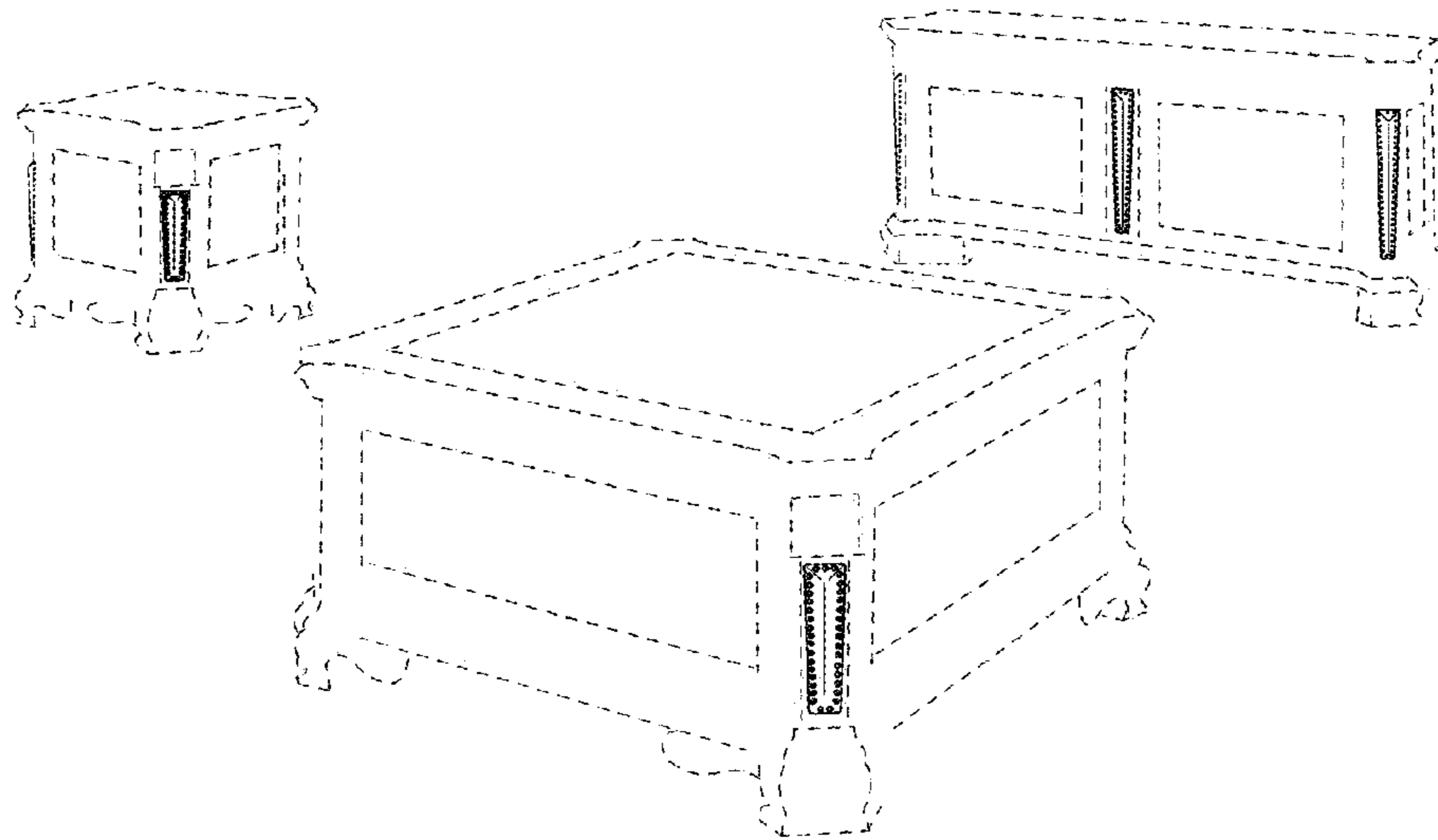


FIG. 2

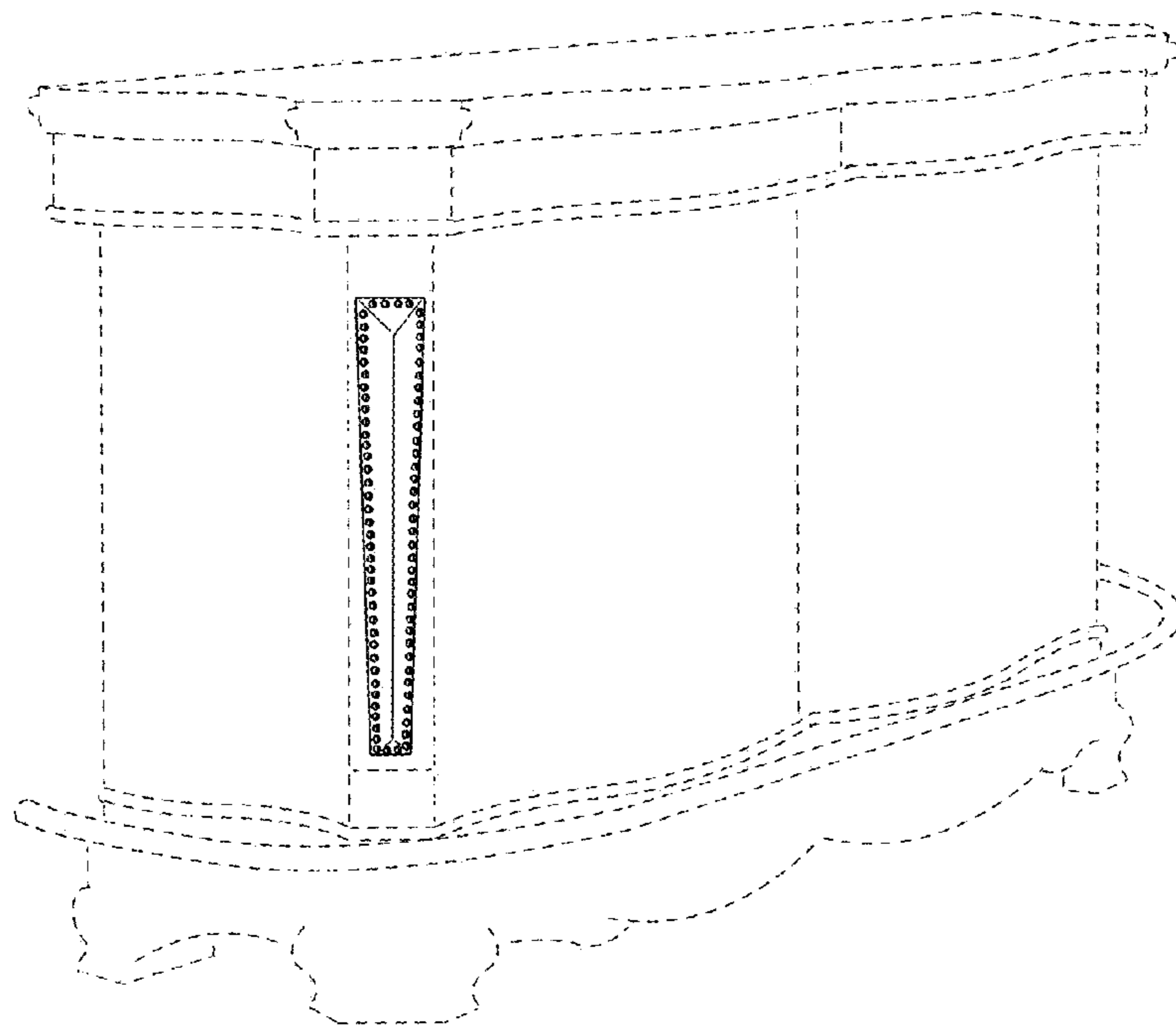


FIG. 3

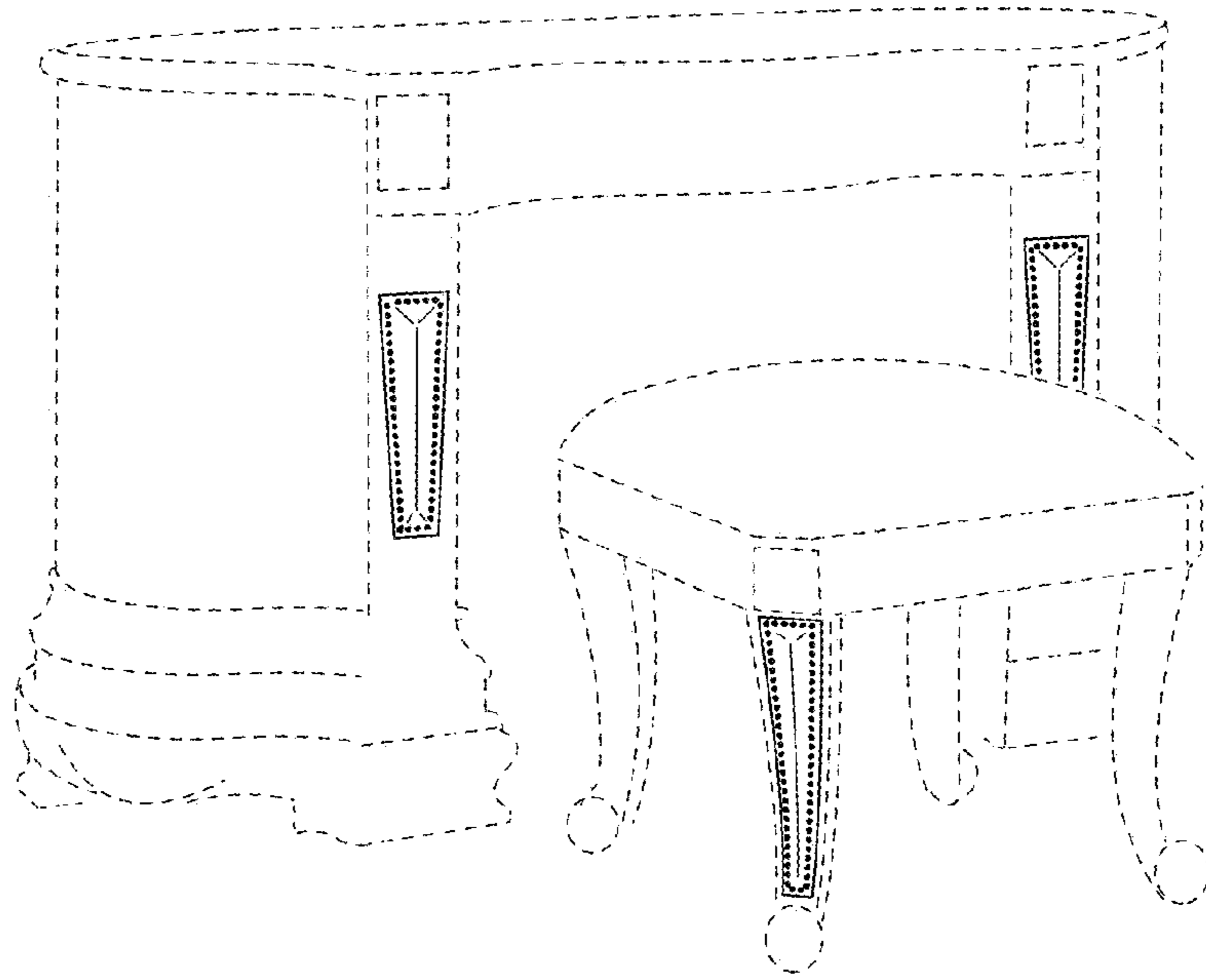


FIG. 4

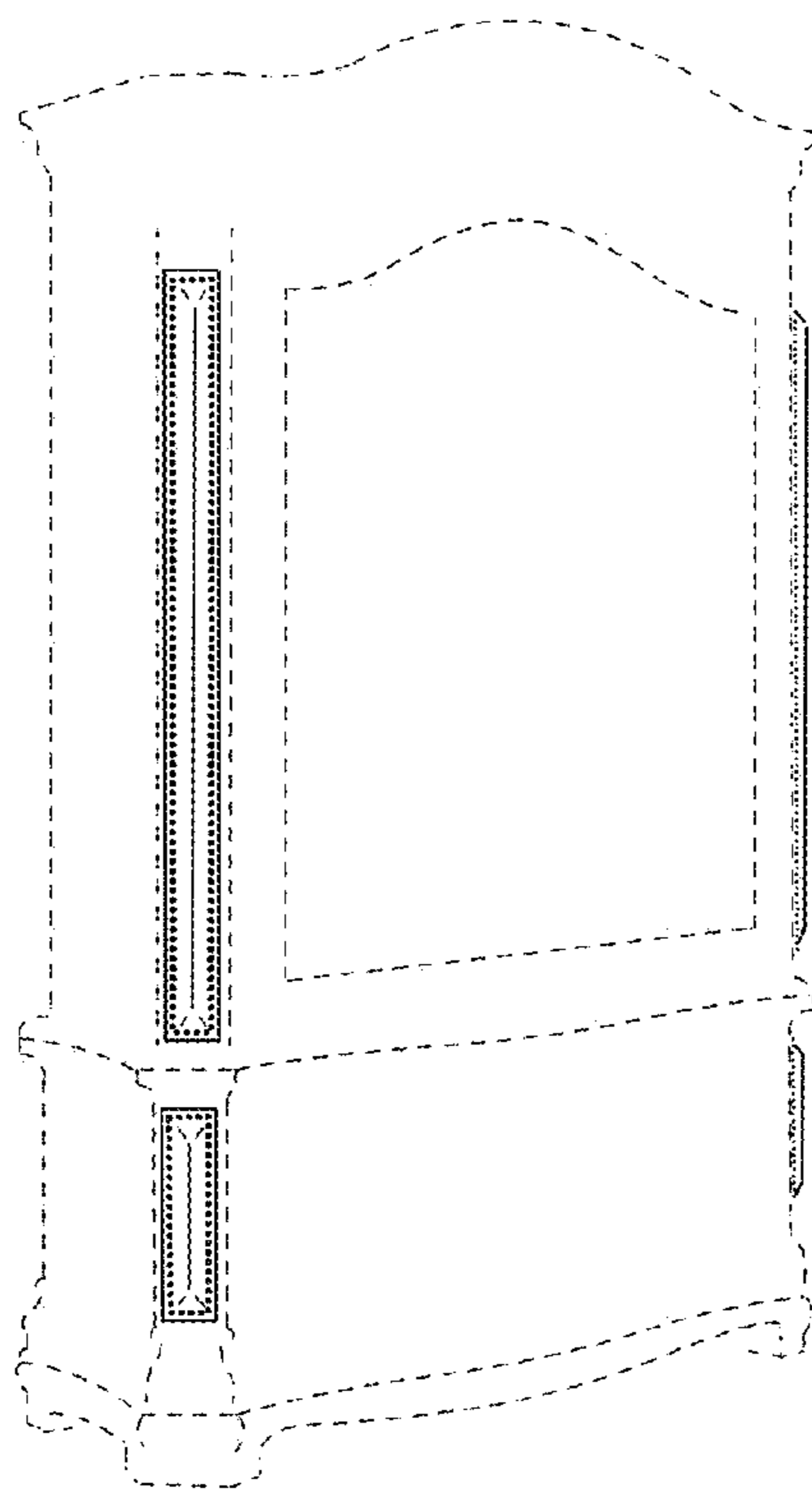


FIG. 5

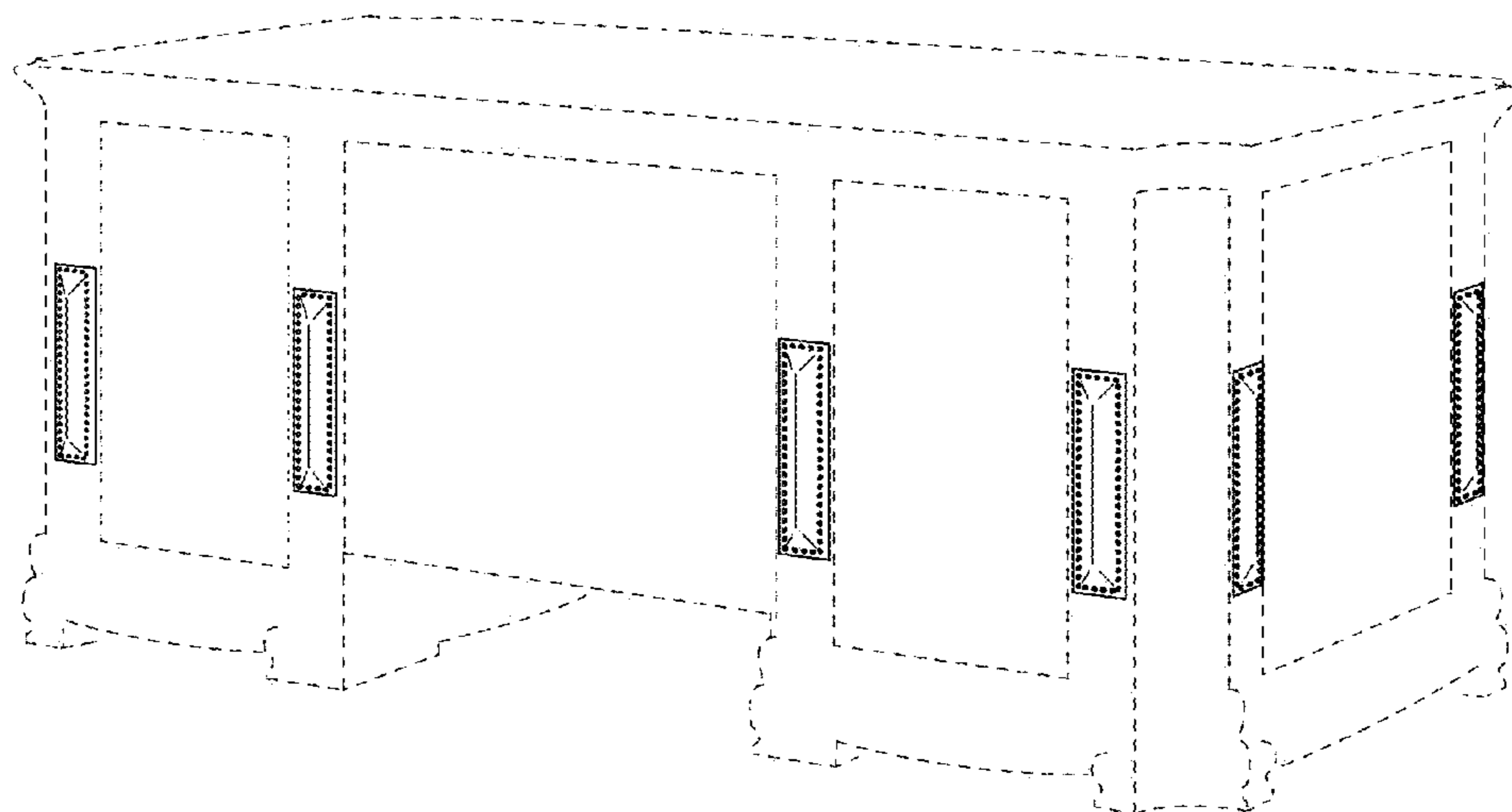


FIG. 6

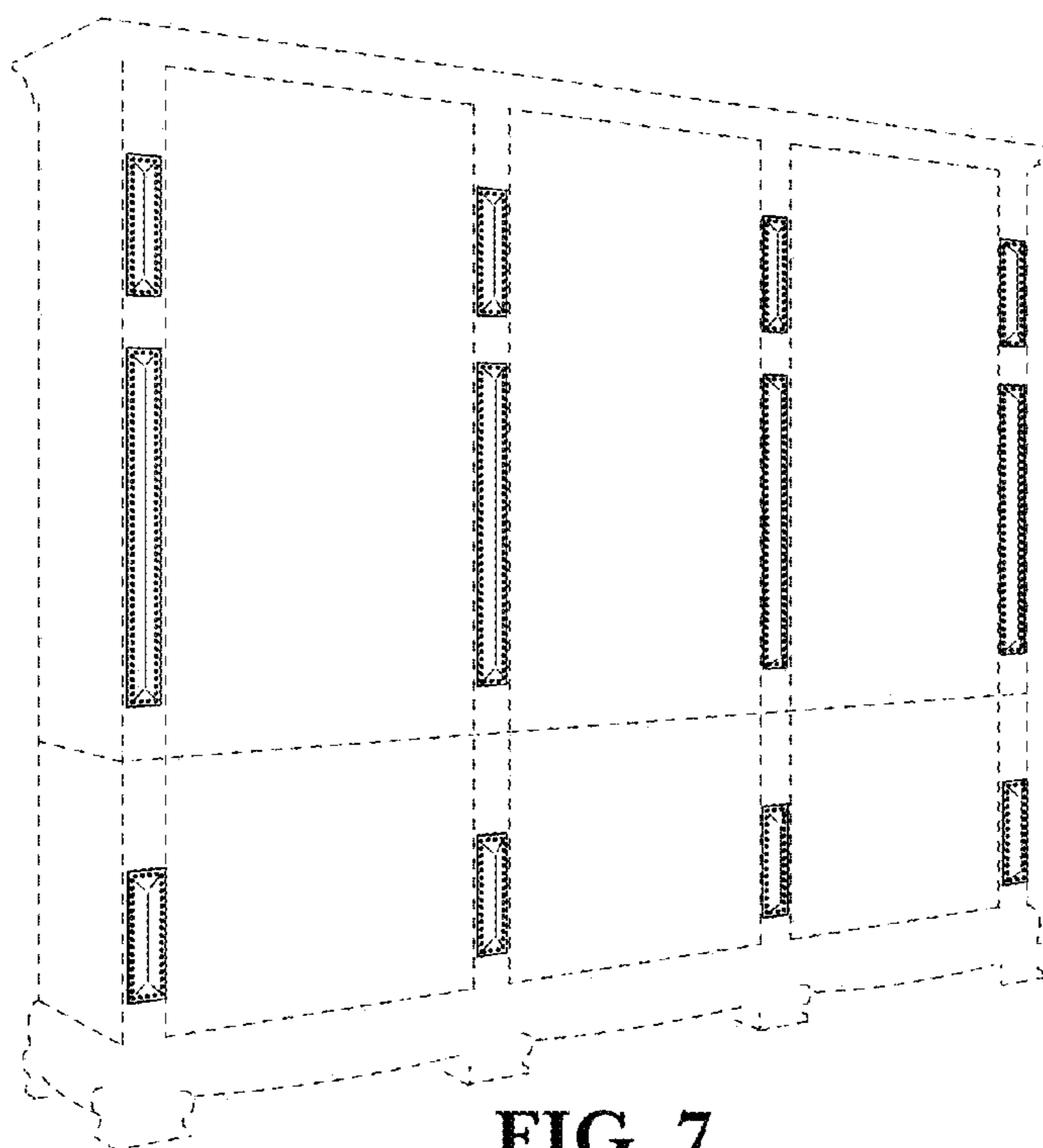


FIG. 7

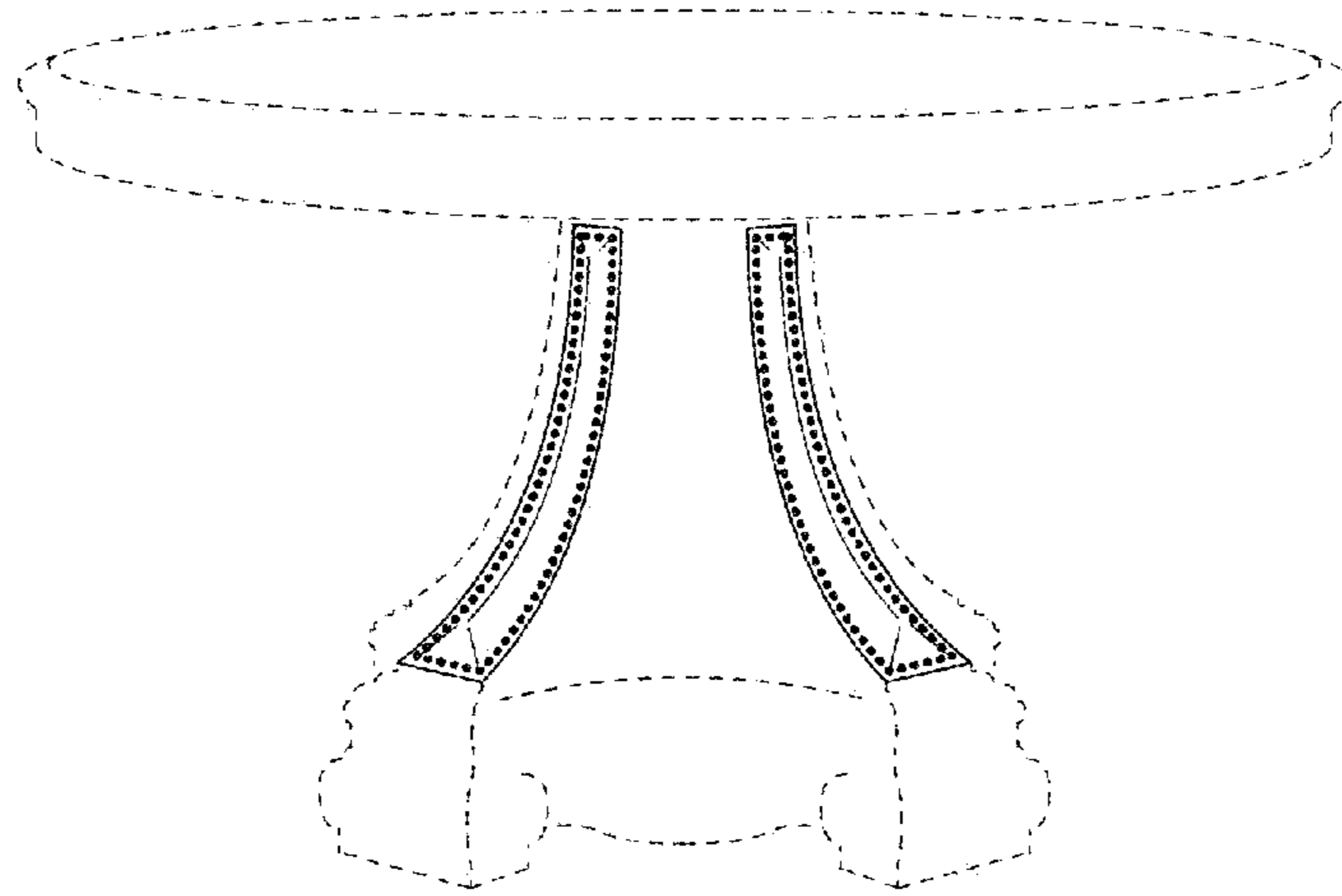


FIG. 8

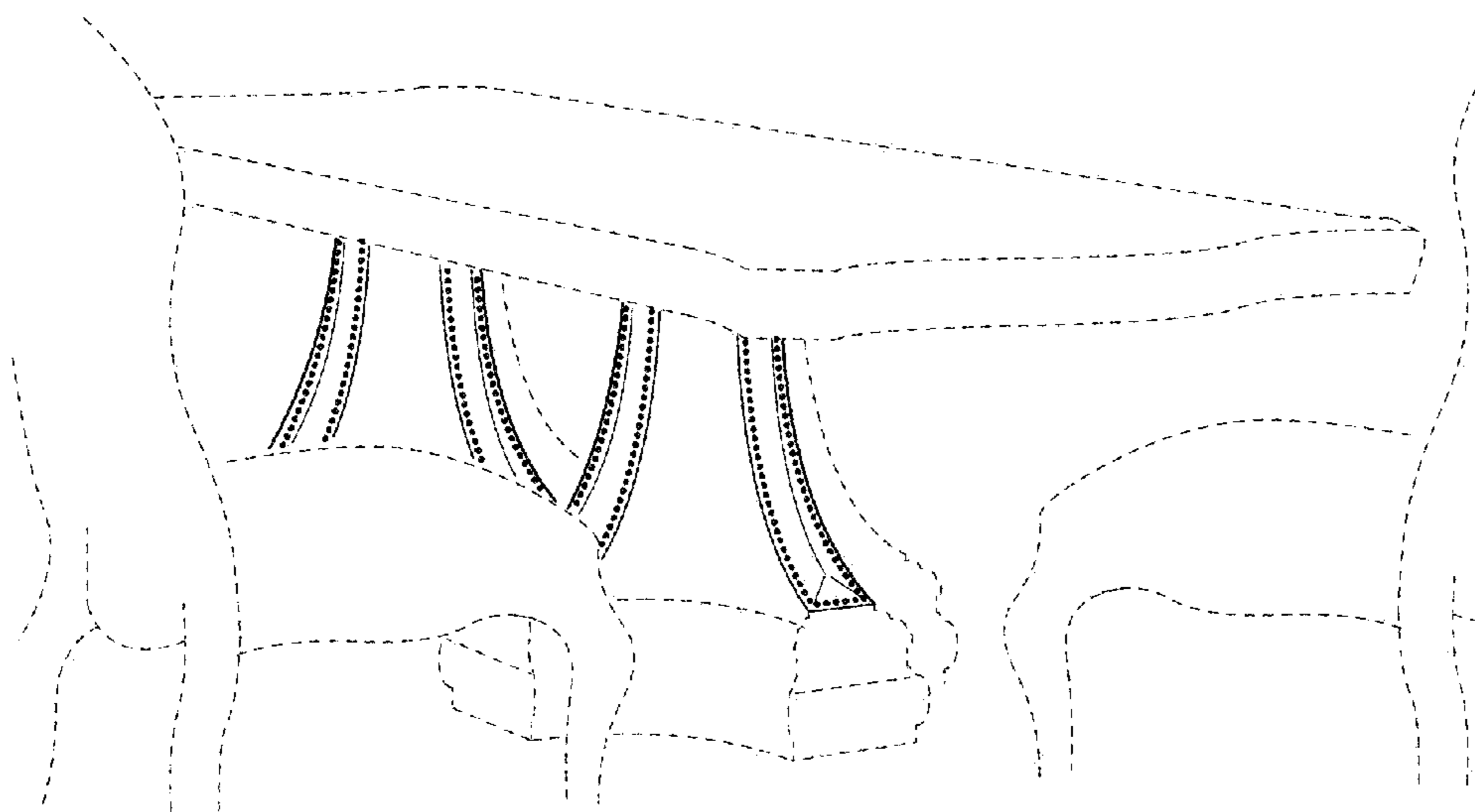


FIG. 9

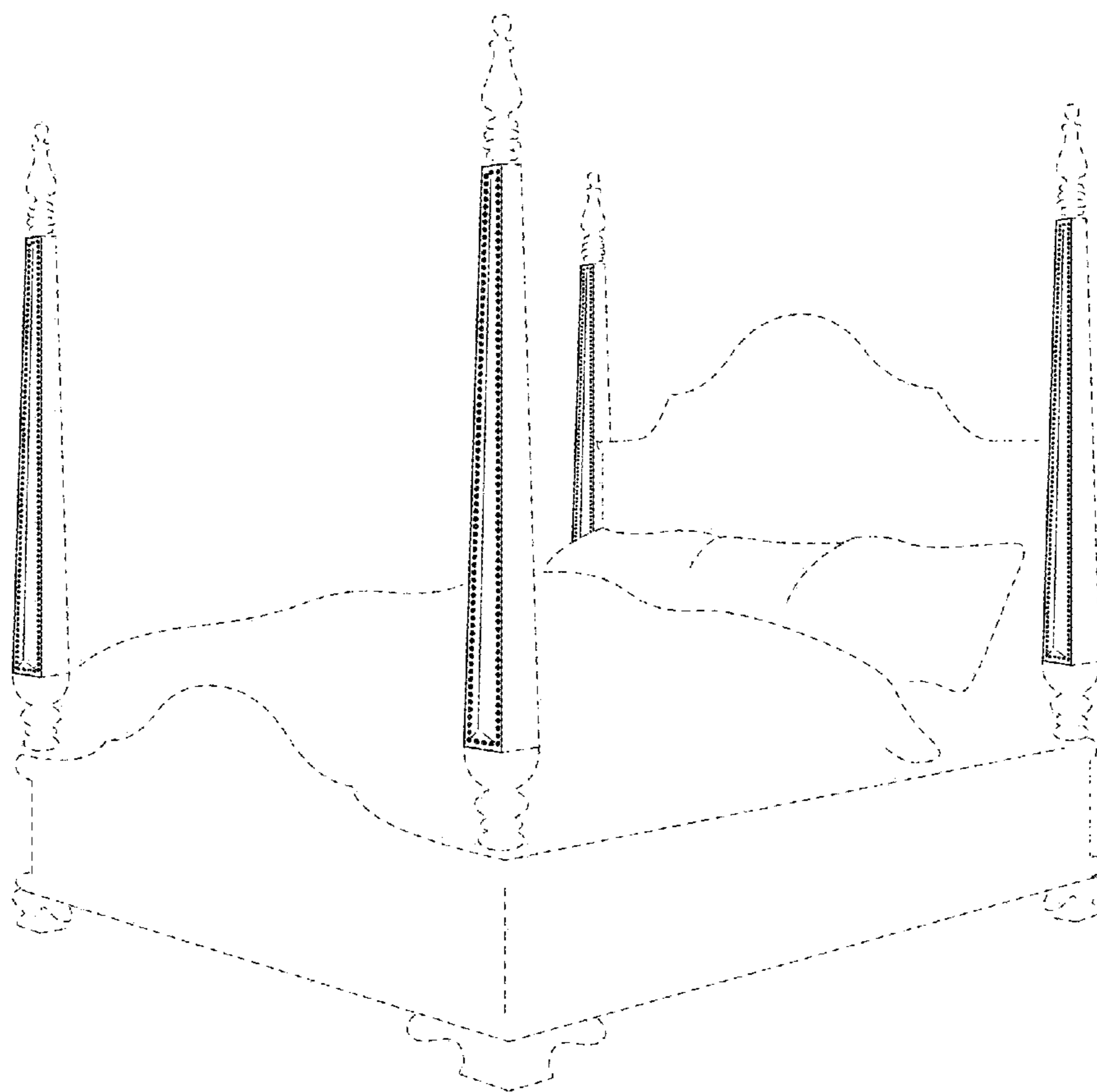


FIG. 10