



US00D706069S

(12) **United States Design Patent**
Robbins

(10) **Patent No.:** **US D706,069 S**
(45) **Date of Patent:** **** Jun. 3, 2014**

(54) **HAMMOCK**

(71) Applicant: **Jerry Robbins**, Reynoldsburg, OH (US)

(72) Inventor: **Jerry Robbins**, Reynoldsburg, OH (US)

(**) Term: **14 Years**

(21) Appl. No.: **29/438,772**

(22) Filed: **Dec. 3, 2012**

(51) **LOC (10) Cl.** **06-02**

(52) **U.S. Cl.**
USPC **D6/718.1; D6/387**

(58) **Field of Classification Search**
USPC D6/383, 386, 387, 718.1, 608, 595;
5/120-123, 127, 128, 417
See application file for complete search history.

(56) **References Cited**

U.S. PATENT DOCUMENTS

217,964	A *	7/1879	Travers	5/122
272,311	A *	2/1883	Palmer	5/122
6,314,594	B1 *	11/2001	Meoli et al.	5/120
D557,924	S *	12/2007	Karabin	D6/387
D614,886	S *	5/2010	St-Germain	D6/387
2003/0079283	A1 *	5/2003	Vann	5/122

* cited by examiner

Primary Examiner — Janice Seeger

(74) *Attorney, Agent, or Firm* — QuickPatents; Kevin Prince

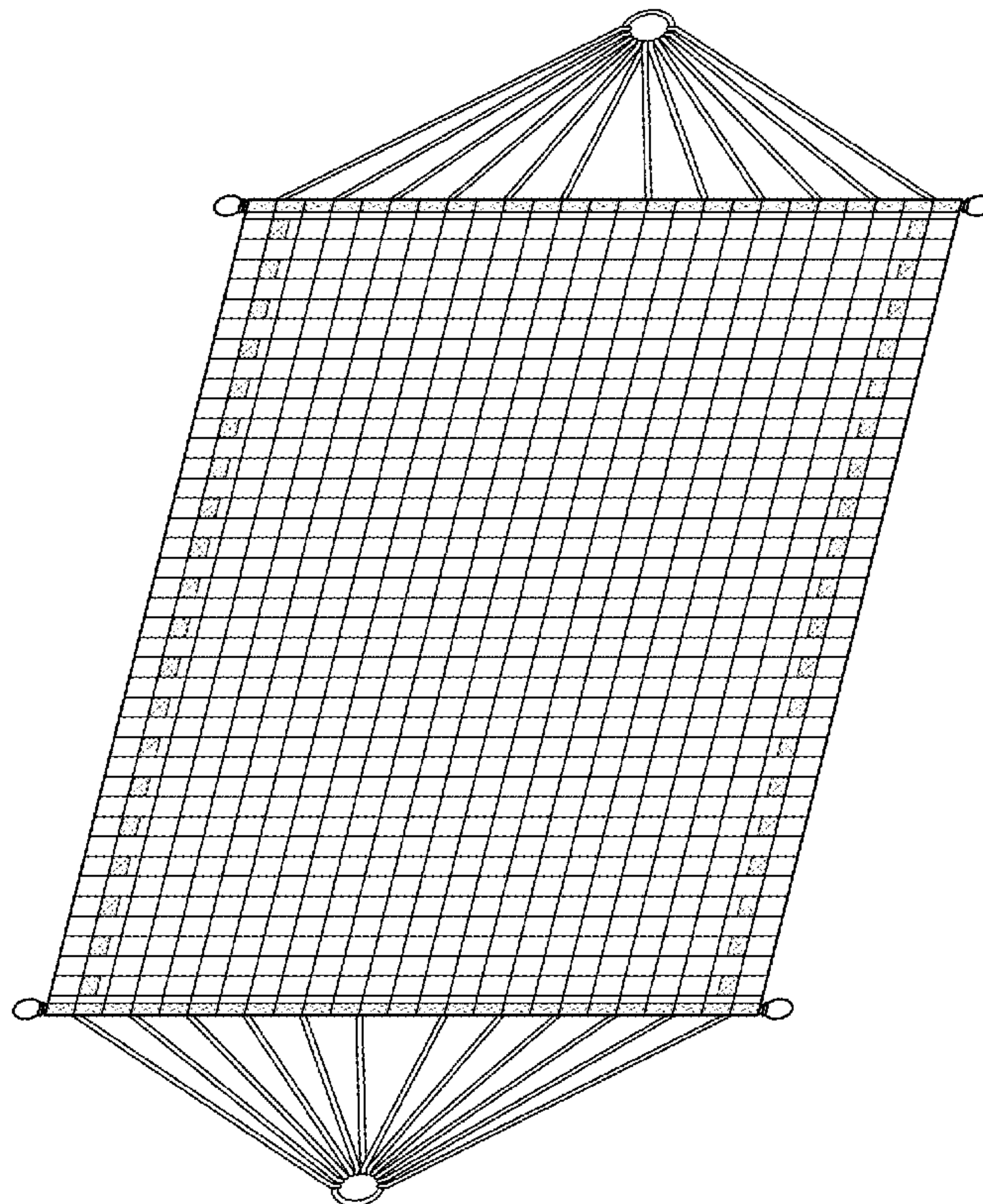
(57) **CLAIM**

I claim the ornamental design for a hammock, as shown and described.

DESCRIPTION

FIG. 1 is a perspective view of a hammock, showing a first embodiment of my new design;
 FIG. 2 is a top plan view of FIG. 1;
 FIG. 3 is a bottom plan view of FIG. 1;
 FIG. 4 is a front elevational view of FIG. 1, the rear elevational view being a mirror image thereof;
 FIG. 5 is a left-side elevational view of FIG. 1, the right-side elevational view being a mirror image thereof;
 FIG. 6 is a perspective view of a second embodiment thereof;
 FIG. 7 is a top plan view of FIG. 6; and,
 FIG. 8 is a bottom plan view of FIG. 6.
 The broken lines in the figures represent stitching, and are part of the claimed design. It is understood that the left-side, right-side, front and rear elevational views of both embodiments are identical.

1 Claim, 6 Drawing Sheets



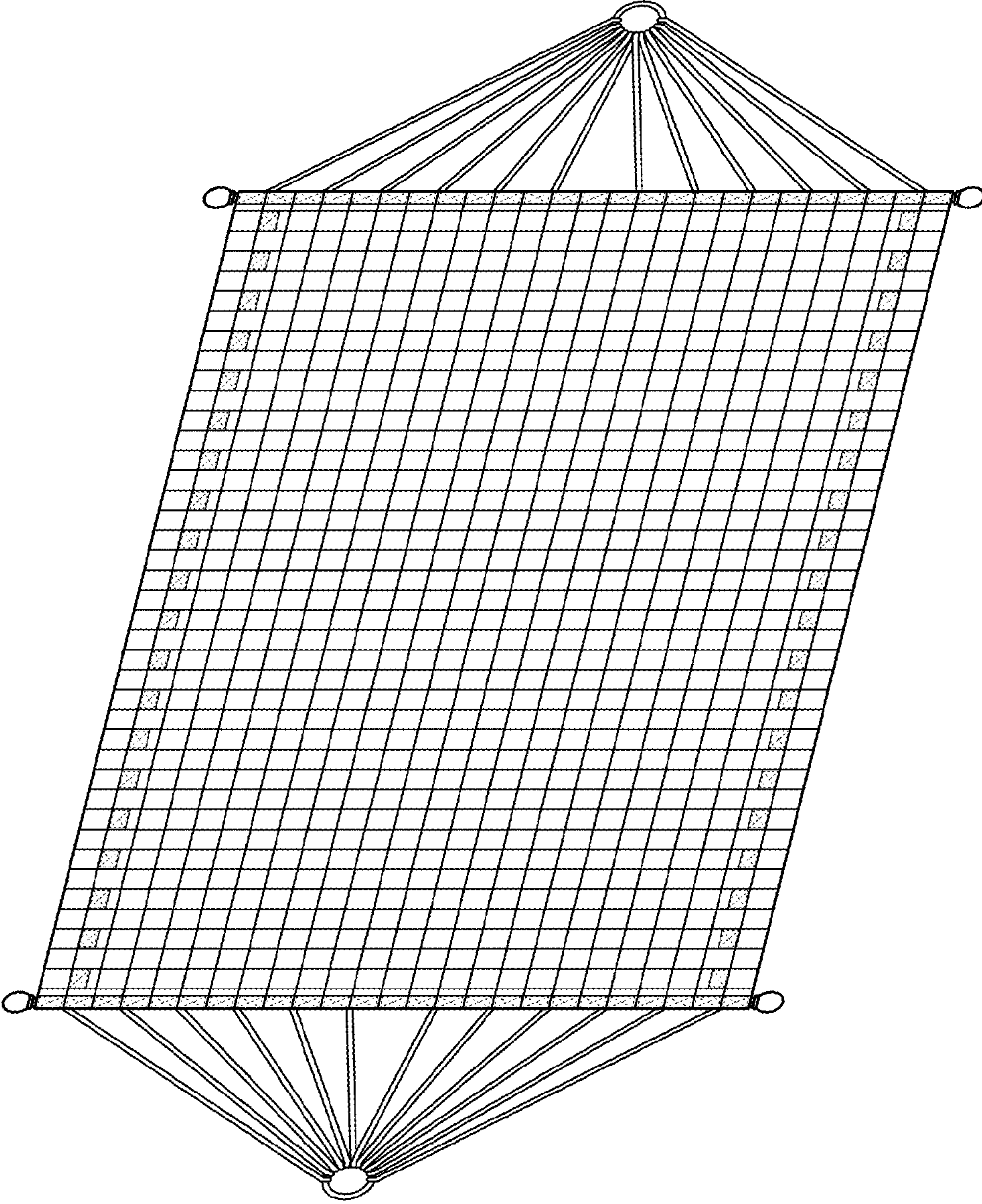


FIG. 1

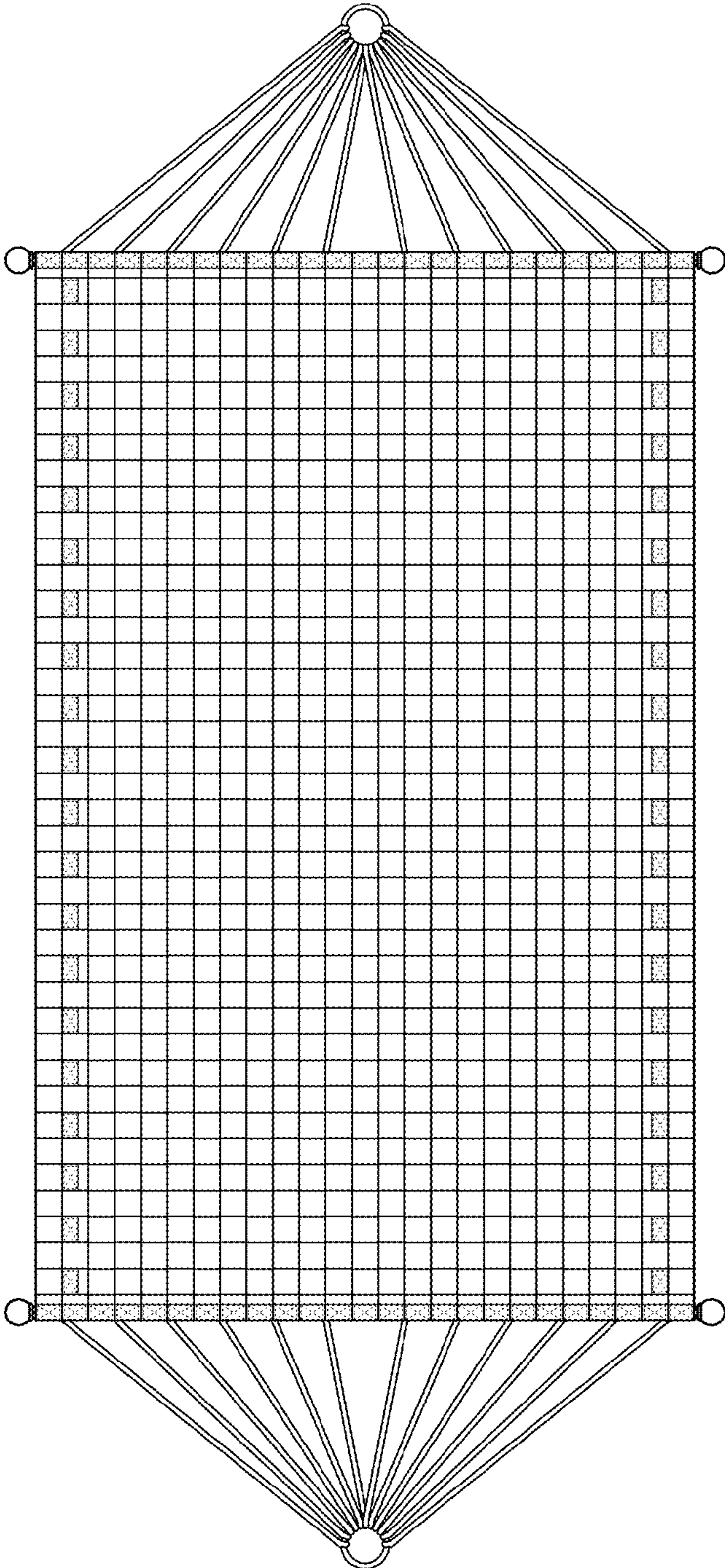


FIG. 2

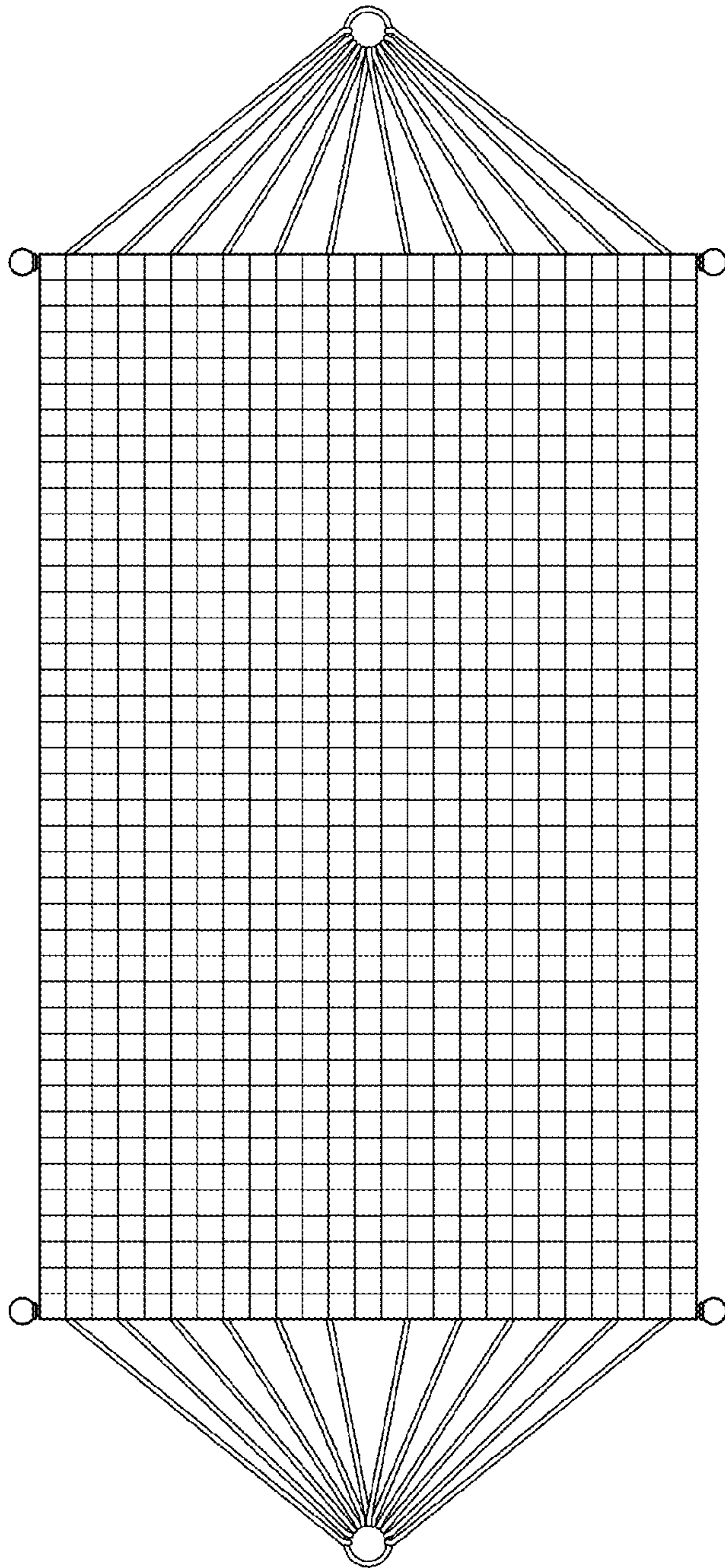


FIG. 3

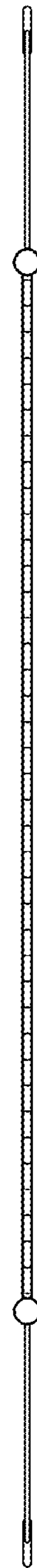


FIG. 4

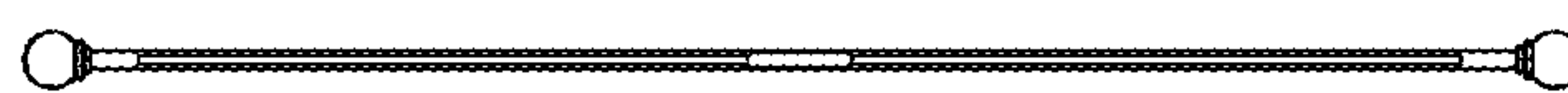


FIG. 5

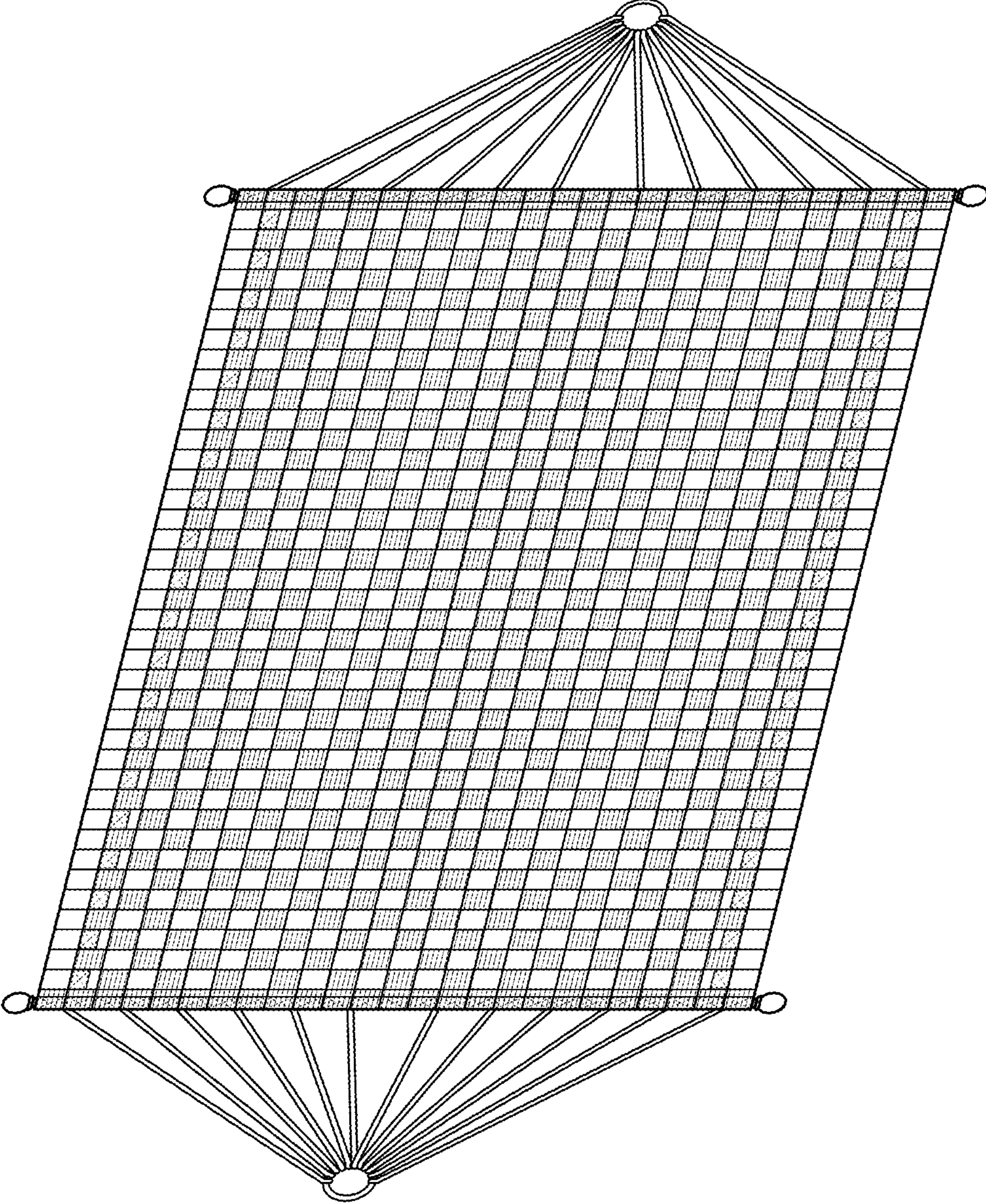


FIG. 6

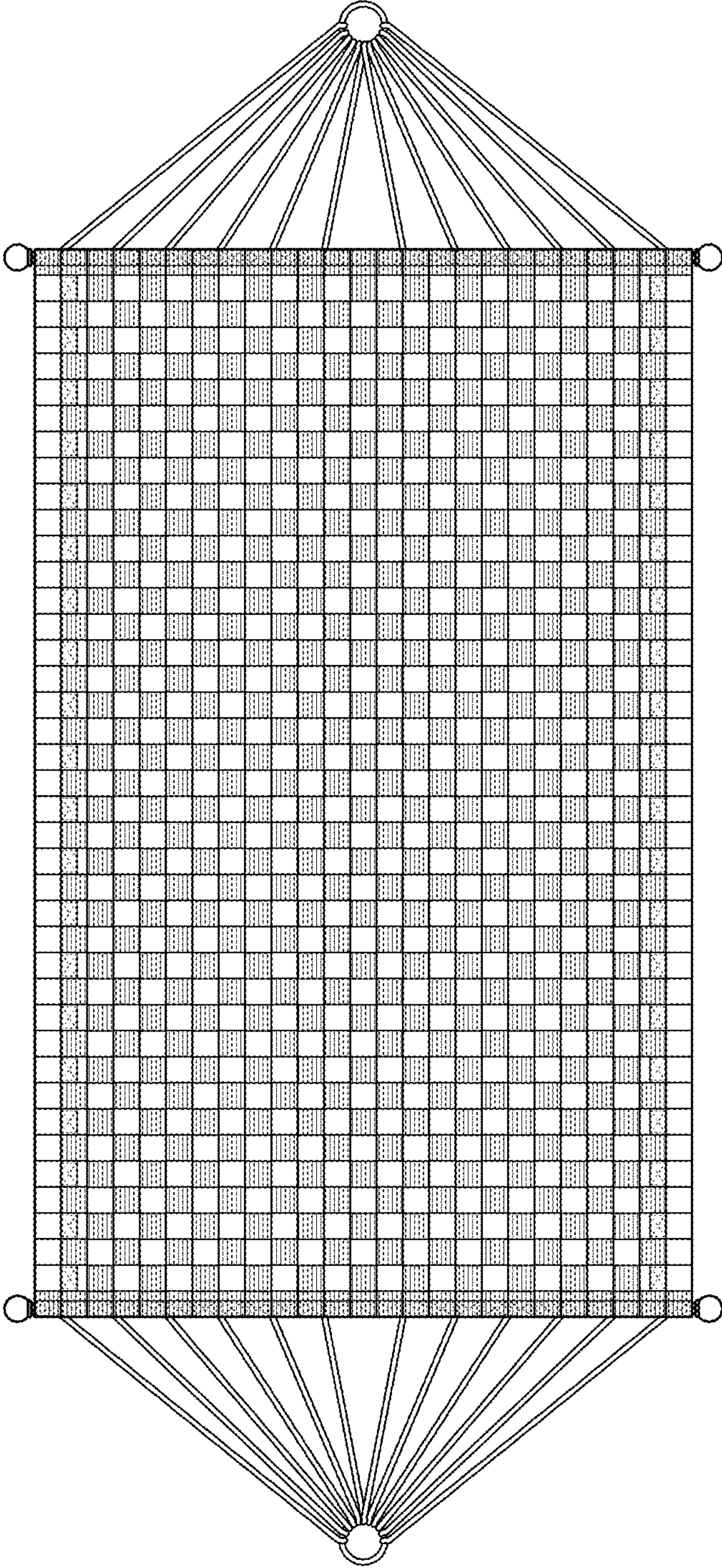


FIG. 7

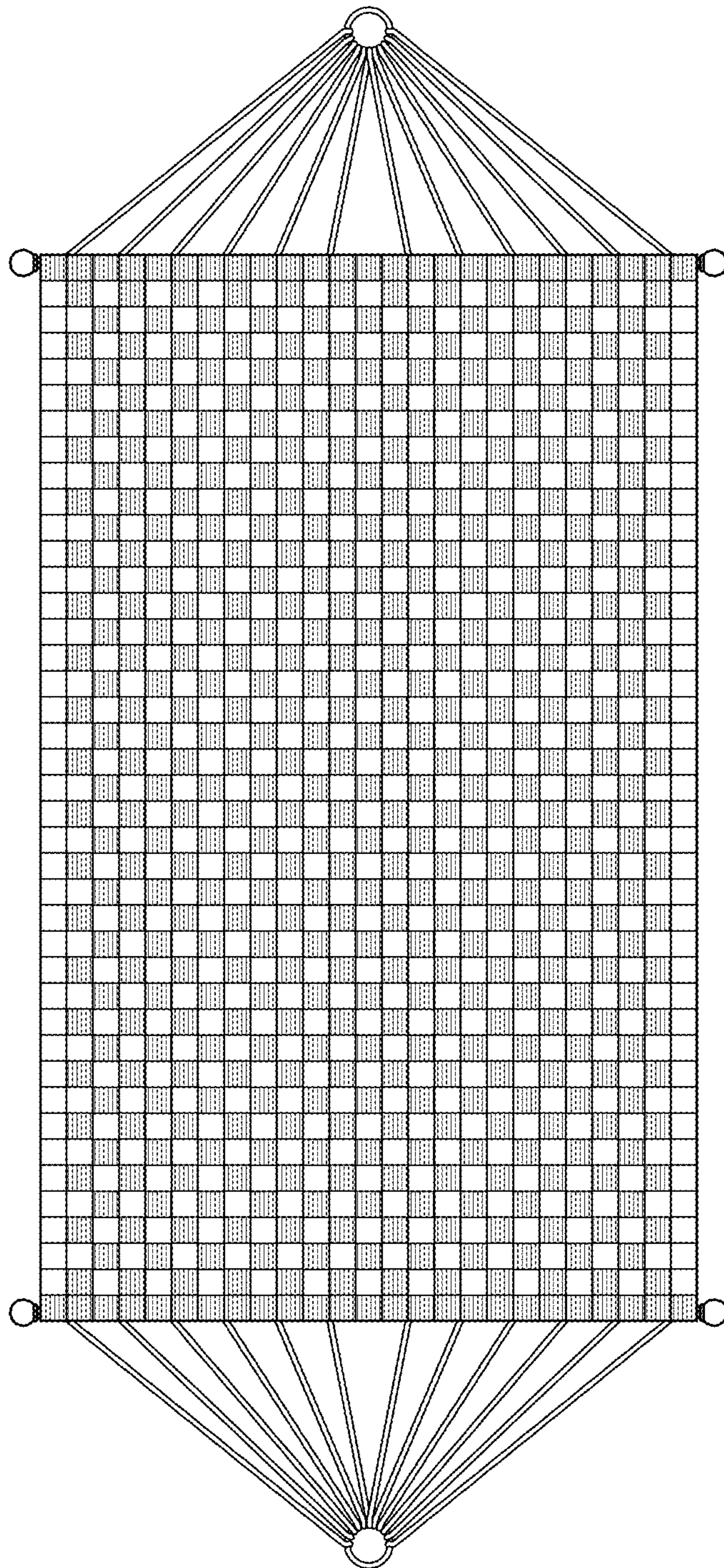


FIG. 8