



US00D706068S

(12) **United States Design Patent**  
**Tsai**

(10) **Patent No.:** **US D706,068 S**  
(45) **Date of Patent:** **\*\* Jun. 3, 2014**

(54) **CHAIR BACK FRAME**

(71) Applicant: **Hsuan-Chin Tsai**, Chai-Yi Hsien (TW)

(72) Inventor: **Hsuan-Chin Tsai**, Chai-Yi Hsien (TW)

(73) Assignee: **Zhongshan Shi Songlin Furniture Co., Ltd.**, Zhongshan (CN)

(\*\*) Term: **14 Years**

(21) Appl. No.: **29/468,042**

(22) Filed: **Sep. 26, 2013**

(51) **LOC (10) Cl.** ..... **06-01**

(52) **U.S. Cl.**

USPC ..... **D6/716.4**

(58) **Field of Classification Search**

USPC ..... D6/334-336, 364, 365, 366, 369, 374,  
D6/376, 379, 380, 716, 716.1, 716.2,  
D6/716.3, 716.4; 297/284.4, 284.7,  
297/452.13, 452.29, 452.3, 452.46, 452.56,  
297/452.64

See application file for complete search history.

(56) **References Cited**

U.S. PATENT DOCUMENTS

D558,994 S *	1/2008	Machael et al.	.....	D6/366
D580,198 S *	11/2008	Wu	.....	D6/716.4
D596,885 S *	7/2009	Su	.....	D6/716.4
D645,683 S *	9/2011	Chen	.....	D6/716.4
D669,286 S *	10/2012	Pan	.....	D6/716.4
D687,660 S *	8/2013	Hsuan-Chin	.....	D6/716.4

\* cited by examiner

*Primary Examiner* — Mimoso De

(74) *Attorney, Agent, or Firm* — Alan Kamrath; Kamrath IP Lawfirm, P.A.

(57) **CLAIM**

The ornamental design for a chair back frame, as shown and described.

**DESCRIPTION**

FIG. 1 is a perspective view of an applicator, showing my new design;

FIG. 2 is a front elevational view thereof;

FIG. 3 is a rear elevational view thereof;

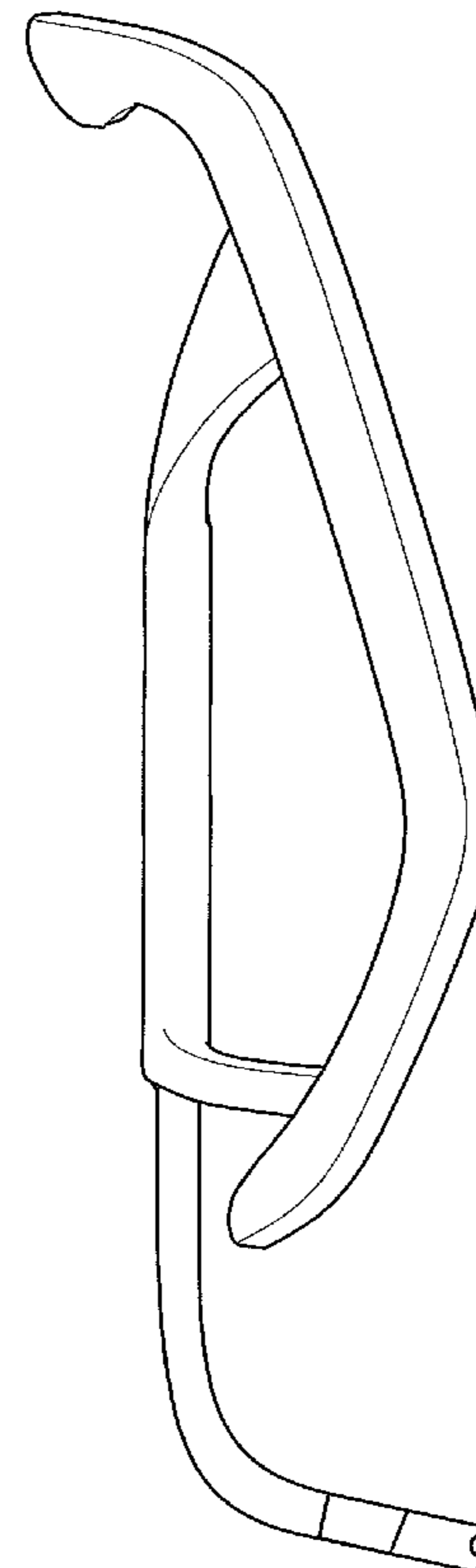
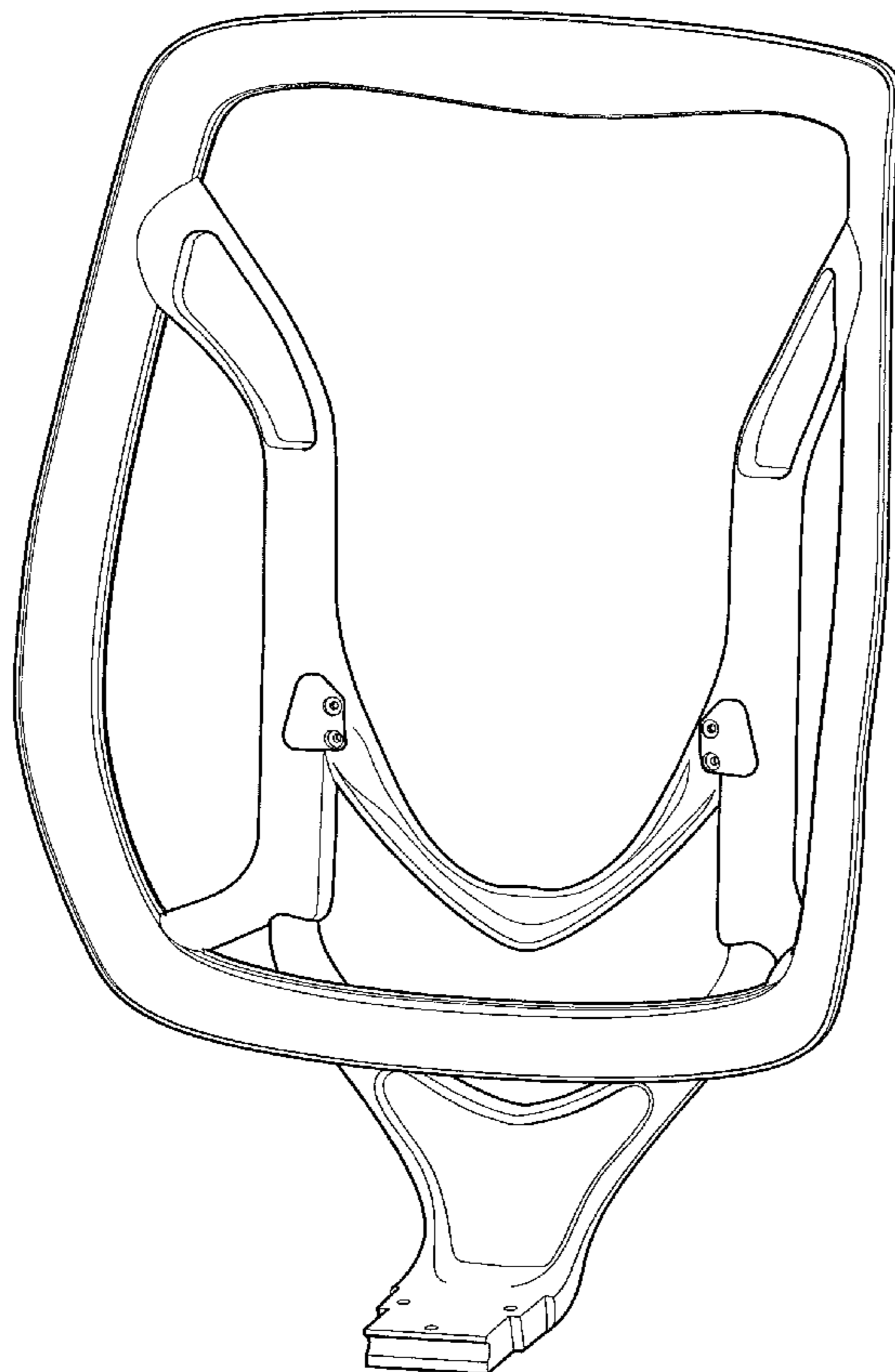
FIG. 4 is a left side view thereof;

FIG. 5 is a right side view thereof;

FIG. 6 is a top plan view thereof; and,

FIG. 7 is a bottom plan view thereof.

**1 Claim, 5 Drawing Sheets**



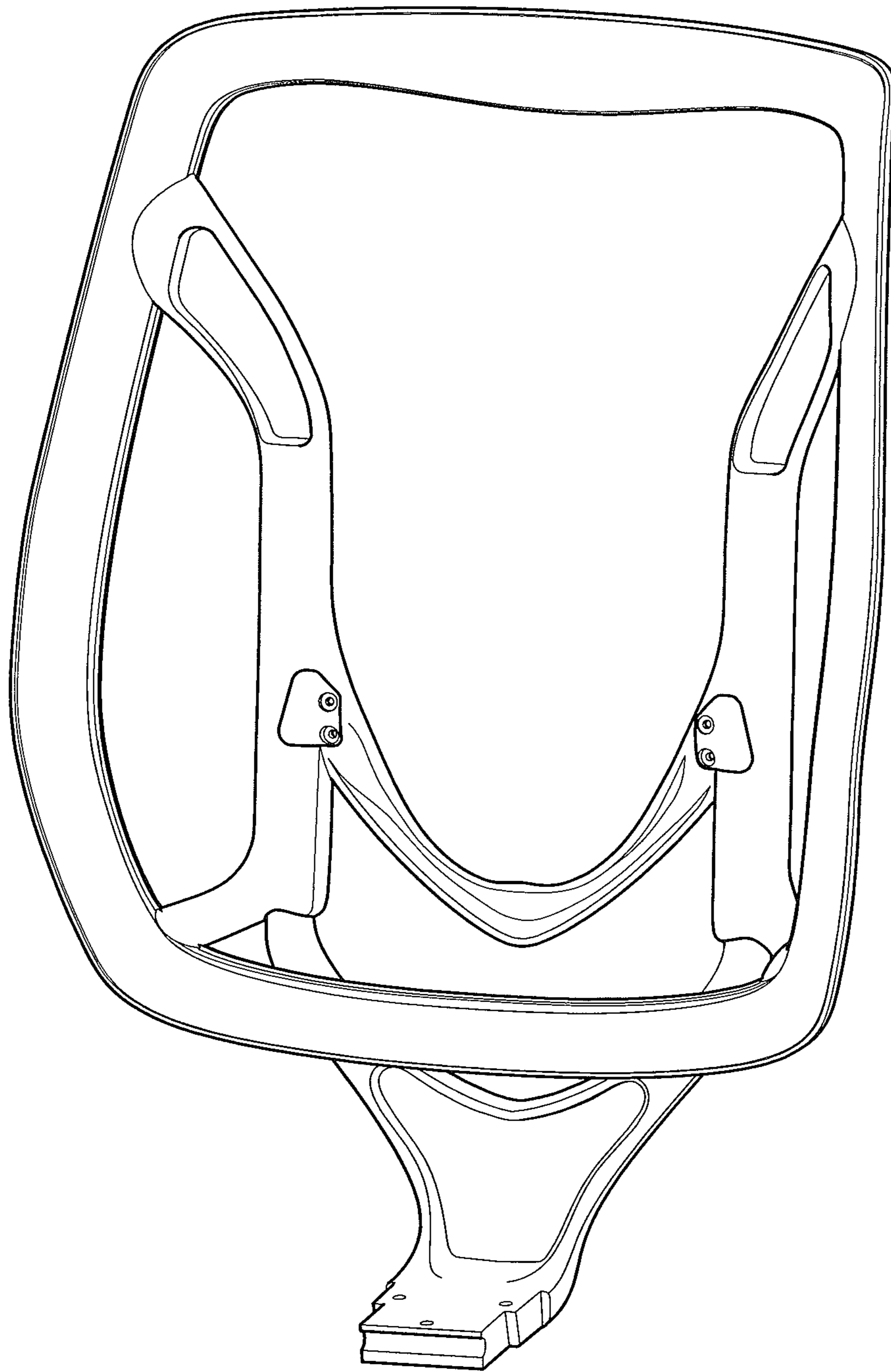


FIG. 1

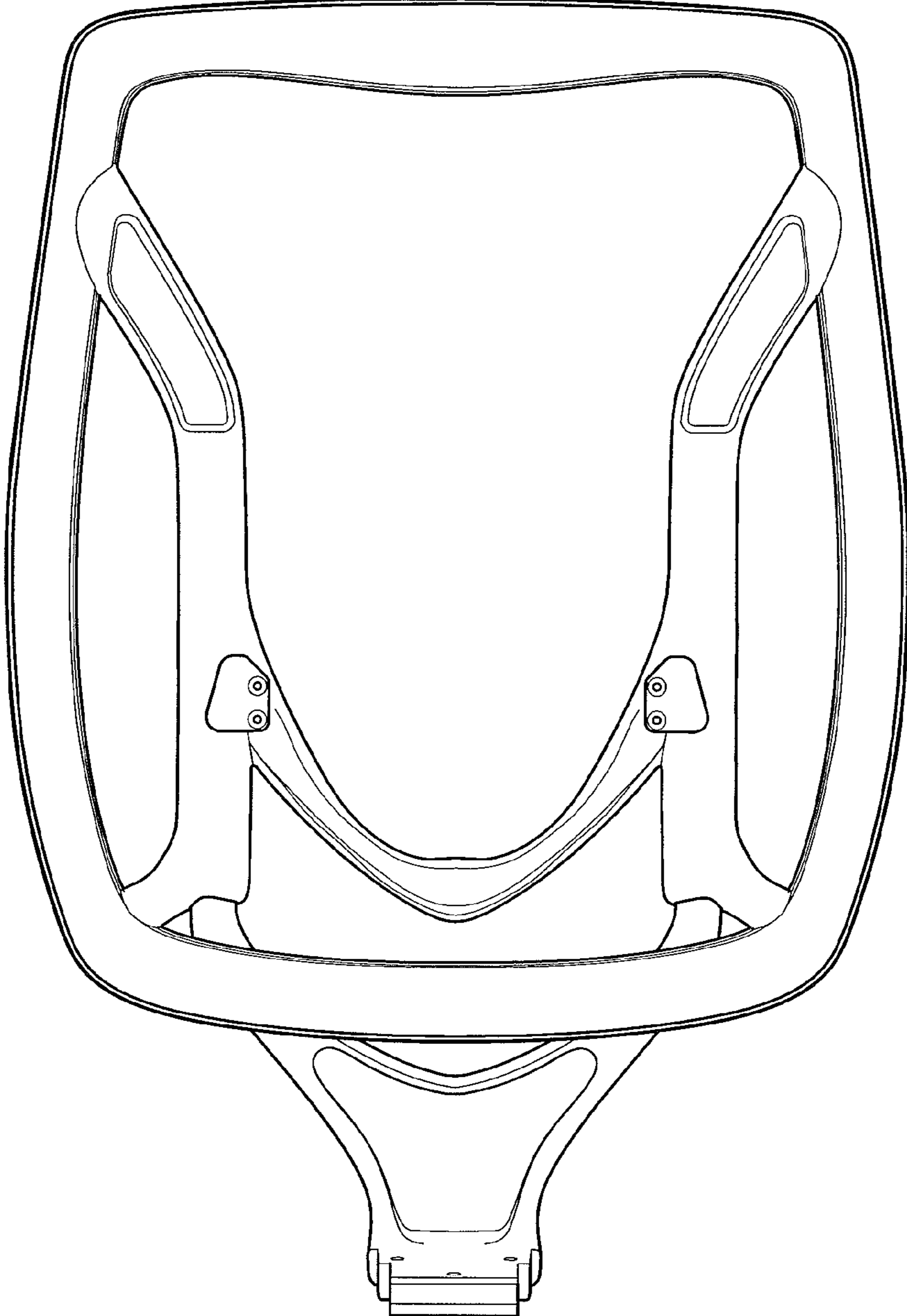


FIG. 2

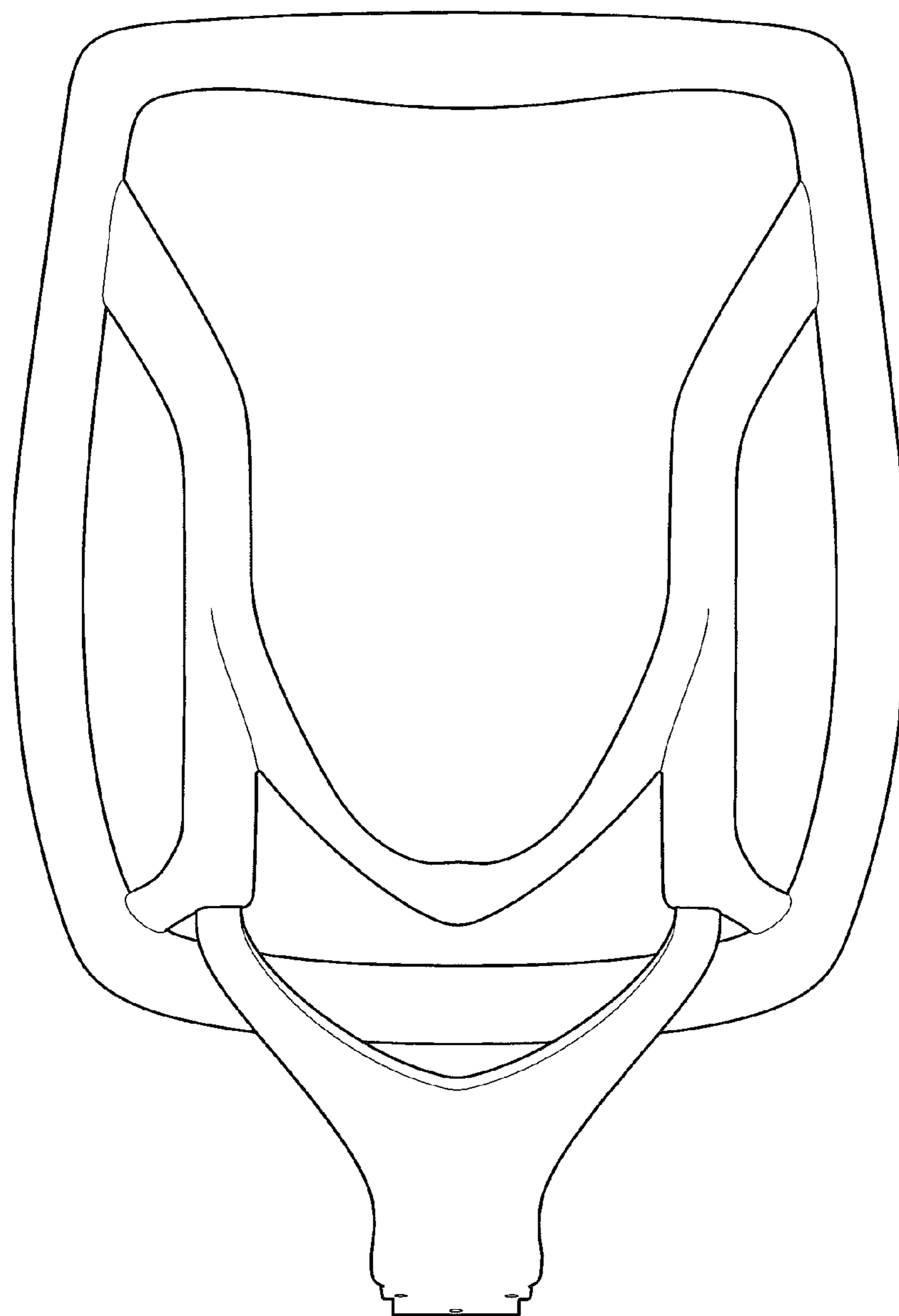


FIG. 3

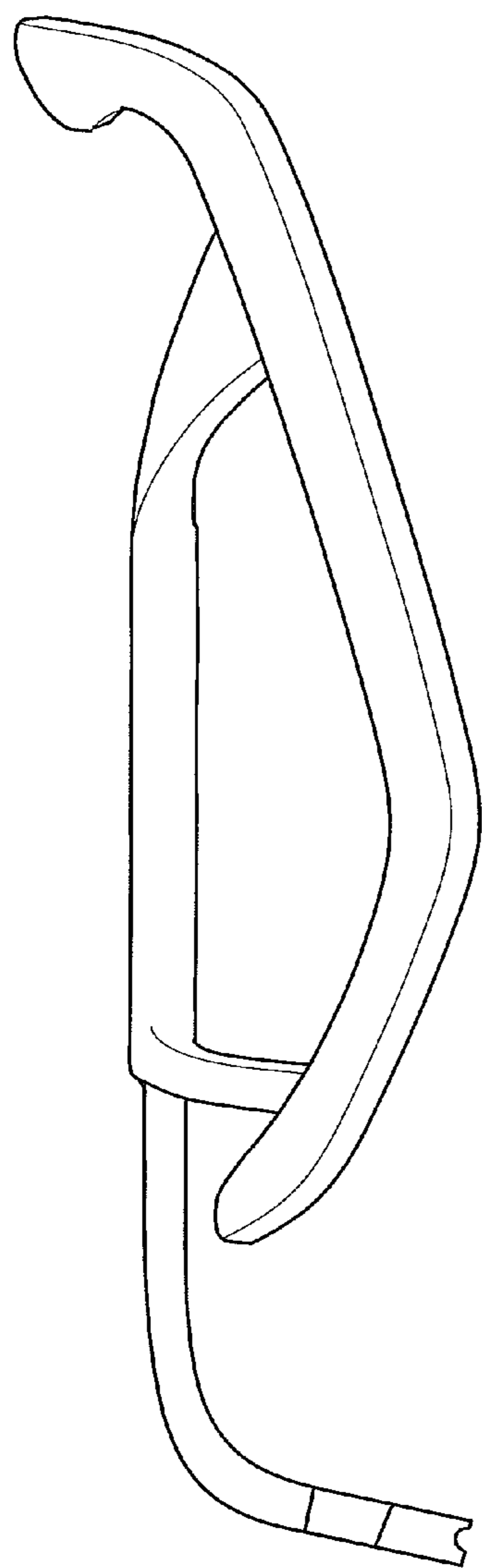


FIG. 4

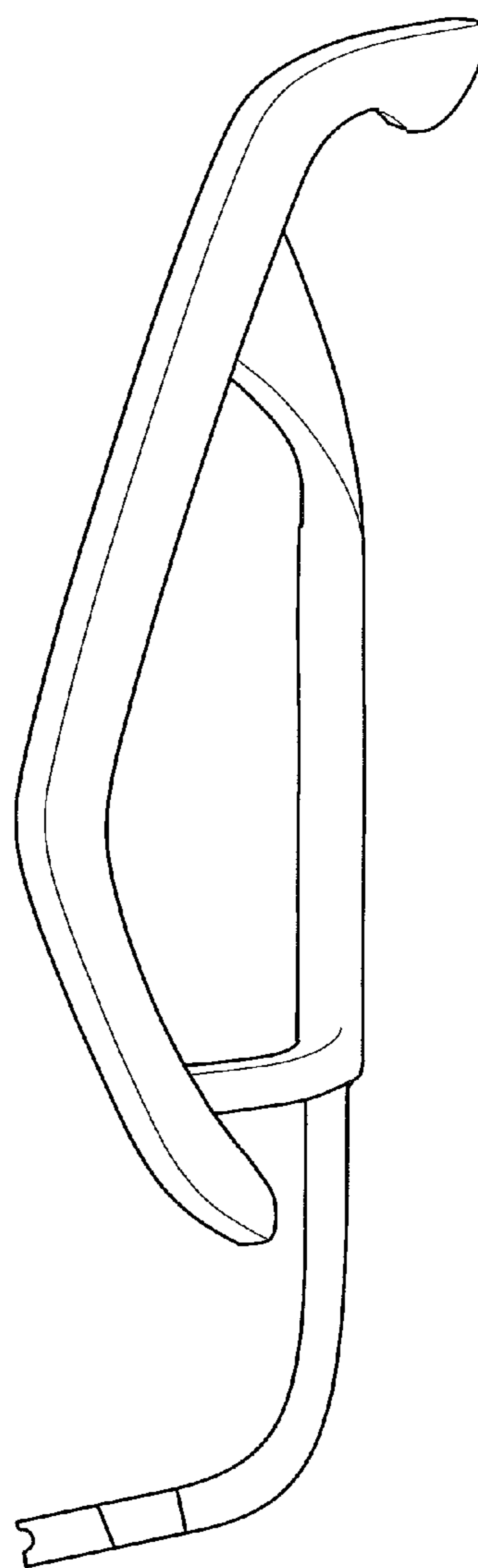


FIG. 5

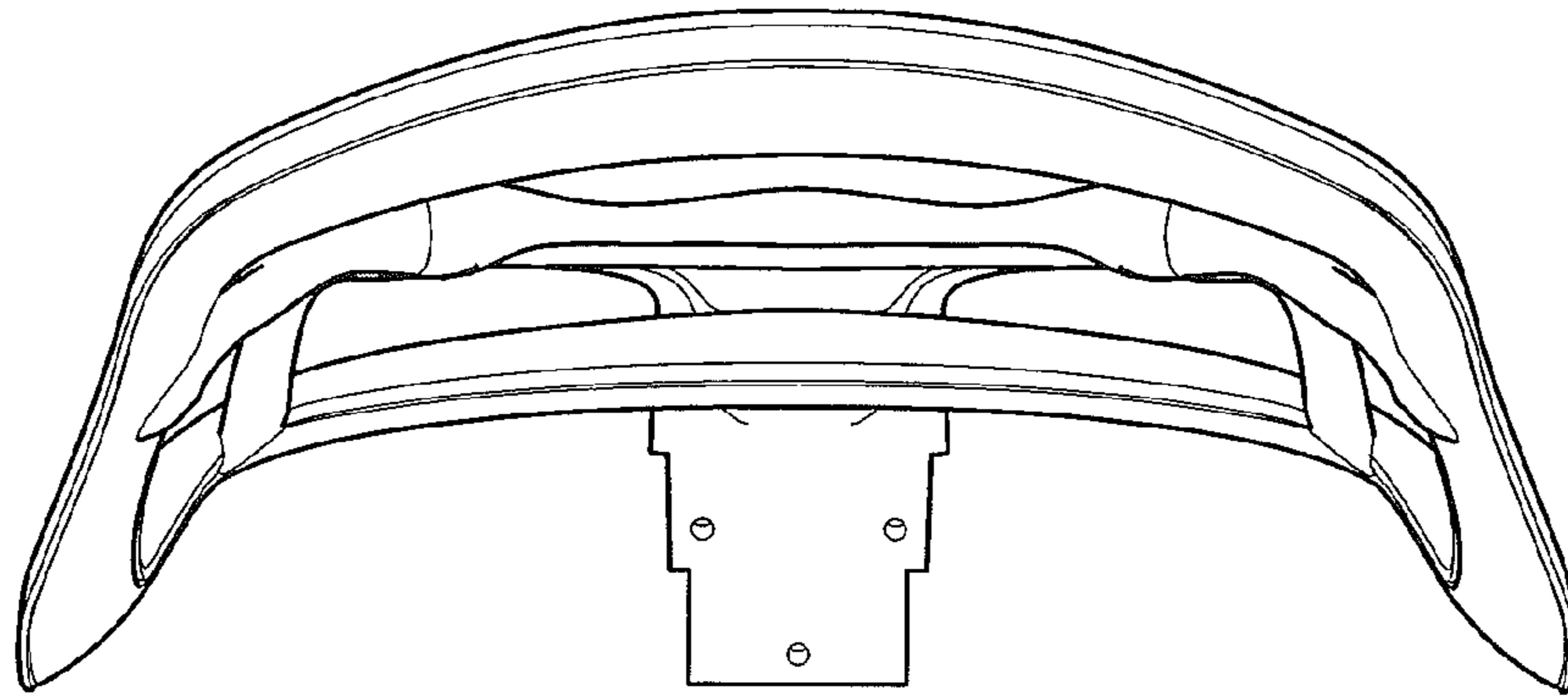


FIG. 6

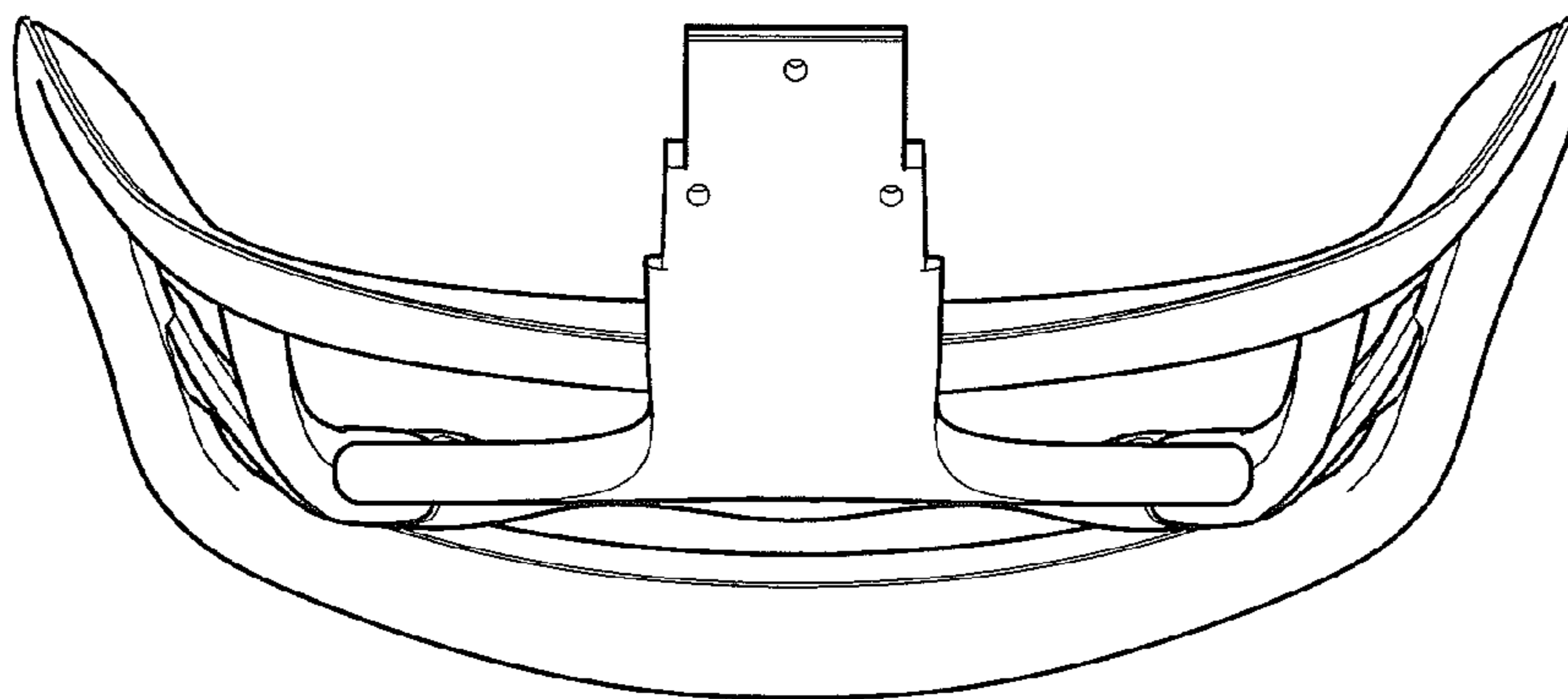


FIG. 7