



US00D706067S

(12) **United States Design Patent**  
**Romero**

(10) **Patent No.:** **US D706,067 S**  
(45) **Date of Patent:** **\*\* Jun. 3, 2014**

- (54) **CHAIR**
- (71) Applicant: **Office Master**, Ontario, CA (US)
- (72) Inventor: **Francisco Romero**, Los Angeles, CA (US)
- (73) Assignee: **Office Master**, Ontario, CA (US)
- (\*\*) Term: **14 Years**
- (21) Appl. No.: **29/456,422**
- (22) Filed: **May 31, 2013**
- (51) **LOC (10) Cl.** ..... **06-01**
- (52) **U.S. Cl.**  
USPC ..... **D6/716**
- (58) **Field of Classification Search**  
CPC ..... A47C 3/04; A47C 4/02; A47C 1/124;  
A47C 3/12; A47C 5/12; A47C 7/16  
USPC ..... D6/334-336, 372, 373, 374, 375, 376,  
D6/379, 380, 716, 716.1, 716.2, 716.3,  
D6/716.4; 297/239, 445.1, 448.1, 451.11,  
297/452.12, 452.14, 452.65, DIG. 2  
See application file for complete search history.

D477,925 S	8/2003	Lucci et al.	
D487,642 S	3/2004	Lucci et al.	
D492,496 S	7/2004	Lucci et al.	
6,772,735 B2	8/2004	Boss et al.	
D495,905 S	9/2004	Lucci et al.	
D497,065 S	10/2004	Lucci et al.	
D498,095 S	11/2004	Lucci et al.	
6,935,690 B2	8/2005	Lucci et al.	
D566,979 S *	4/2008	Cox et al. ....	D6/375
D597,758 S *	8/2009	Barrett et al. ....	D6/375
D683,558 S *	6/2013	Rada et al. ....	D6/716
D690,147 S *	9/2013	Meyer ....	D6/716
2005/0012369 A1 *	1/2005	Mendenhall et al. ..	A47C 1/124
2008/0116727 A1 *	5/2008	Cox et al. ....	A47C 3/04
2009/0195047 A1 *	8/2009	Bouche et al. ....	A47C 5/12

**FOREIGN PATENT DOCUMENTS**

DE	102011076196 A1 *	11/2012	.....	A47C 3/12
FR	2613603 A3 *	10/1988	.....	A47C 3/12

\* cited by examiner

*Primary Examiner* — Mimoso De  
(74) *Attorney, Agent, or Firm* — Andrus Intellectual Property Law, LLP

(57) **CLAIM**  
The ornamental design for a chair, as shown and described.

(56) **References Cited**

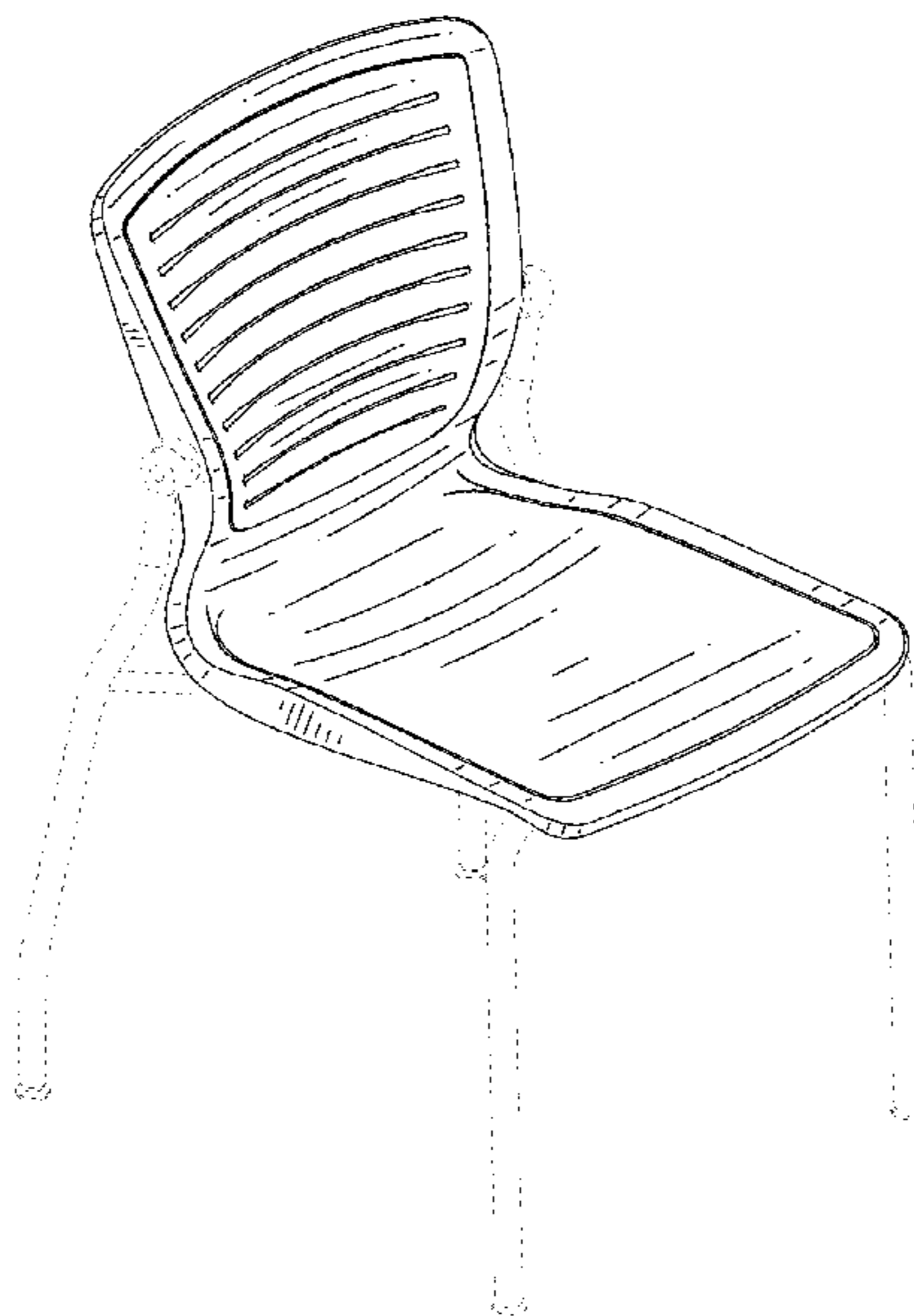
**U.S. PATENT DOCUMENTS**

D142,800 S *	11/1945	Watson	.....	D6/375
2,808,875 A *	10/1957	Bargen	.....	A47C 7/16
D181,702 S *	12/1957	Bargen	.....	D6/375
D187,919 S *	5/1960	Barecki	.....	D6/375
D200,638 S *	3/1965	Midyette, Jr.	.....	D6/375
D202,549 S *	10/1965	Kramer	.....	D6/375
D202,550 S *	10/1965	Kramer	.....	D6/375
3,758,155 A *	9/1973	Straits	.....	297/239
D228,483 S *	10/1973	Sebel et al.	.....	D6/375
D233,715 S *	11/1974	Fantoni	.....	D6/375
D462,535 S	9/2002	Lucci et al.		

**DESCRIPTION**

FIG. 1 is an isometric view of a chair incorporating my new design;  
FIG. 2 is a front elevation view thereof;  
FIG. 3 is a rear elevation view thereof;  
FIG. 4 is a right side elevation view thereof, wherein the left side elevation view is a mirror image thereof; and,  
FIG. 5 is a top plan view thereof.  
The portions shown in broken lines illustrate environment only and form no part of the claimed design.

**1 Claim, 5 Drawing Sheets**



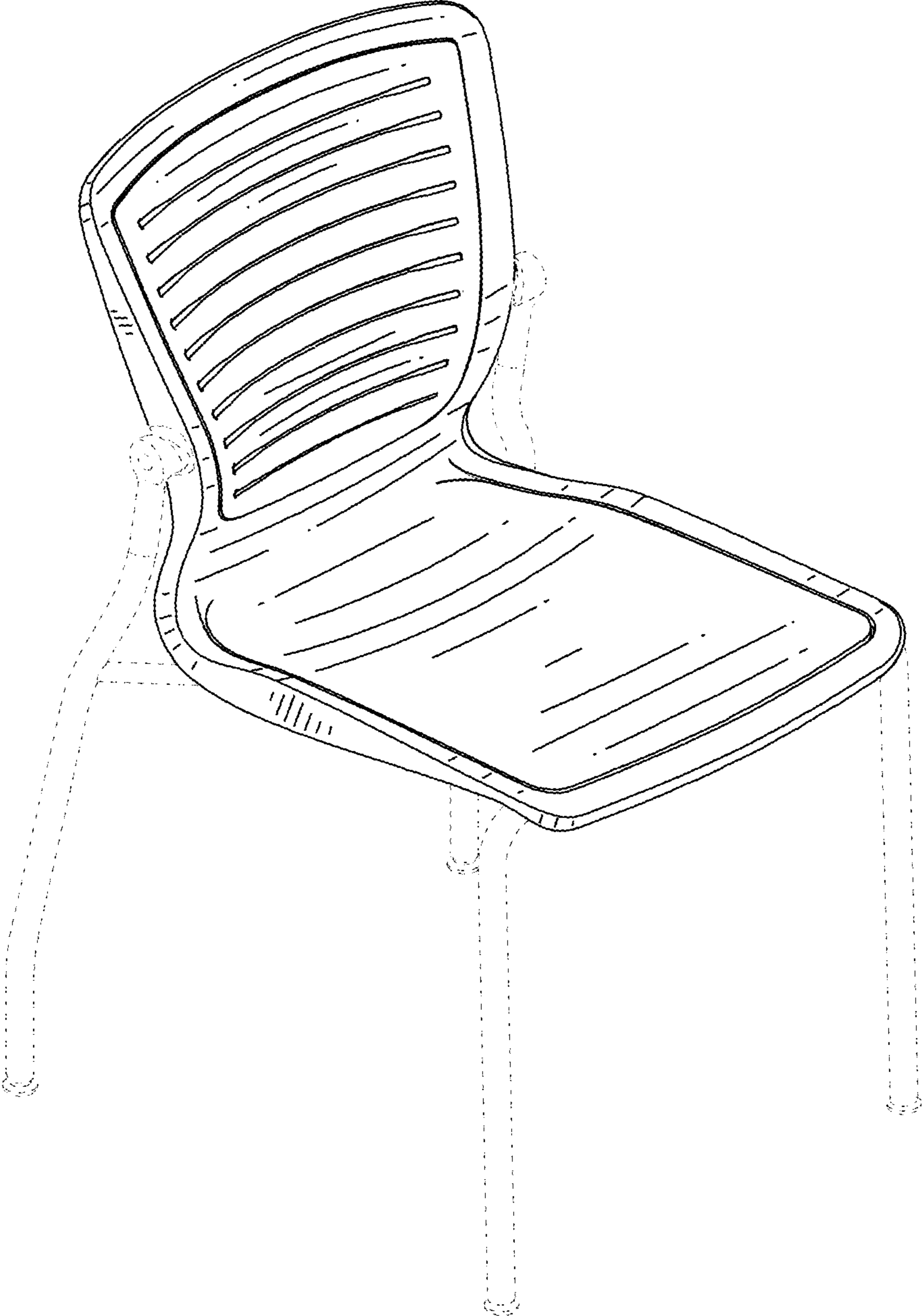


FIG. 1

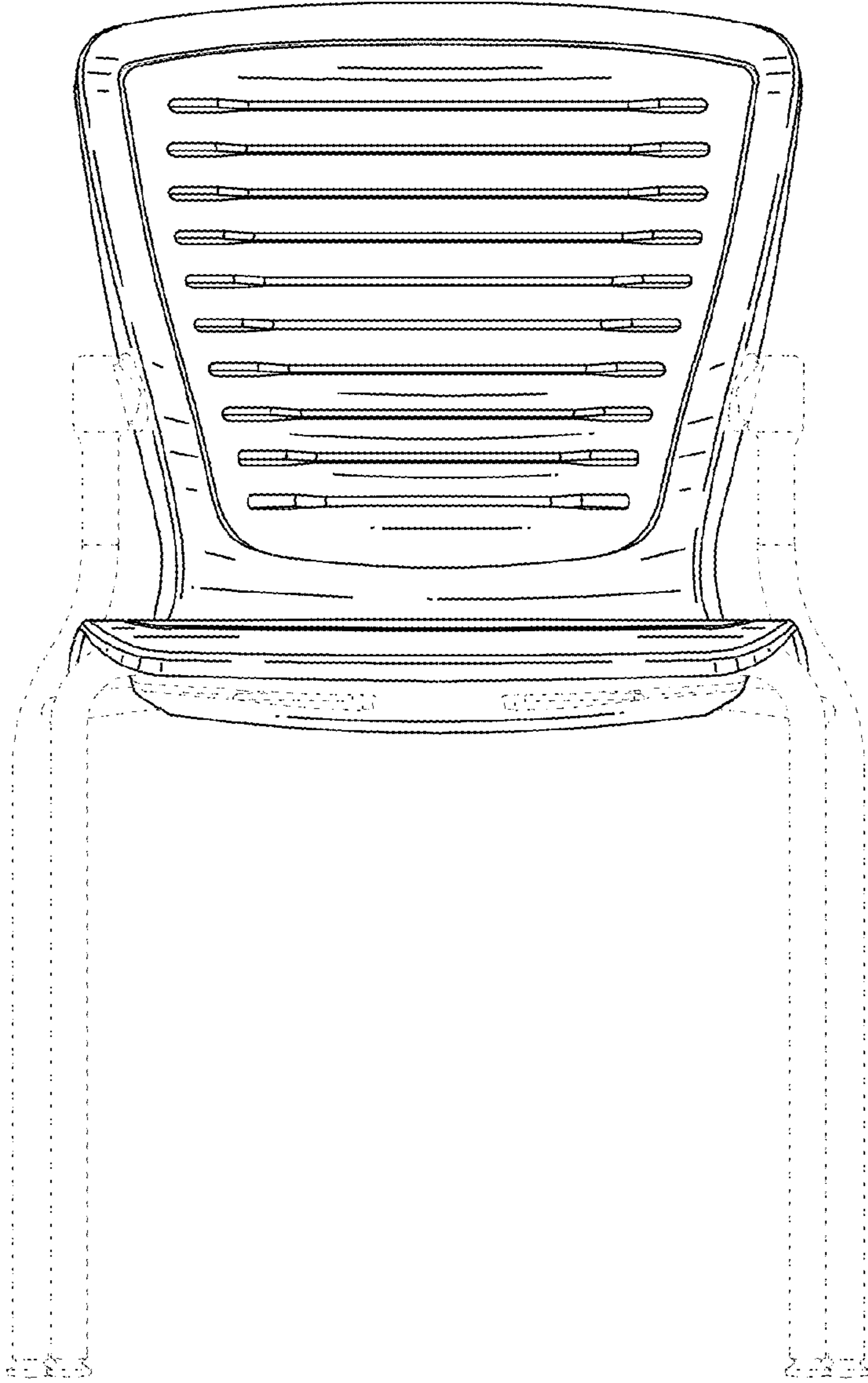


FIG. 2

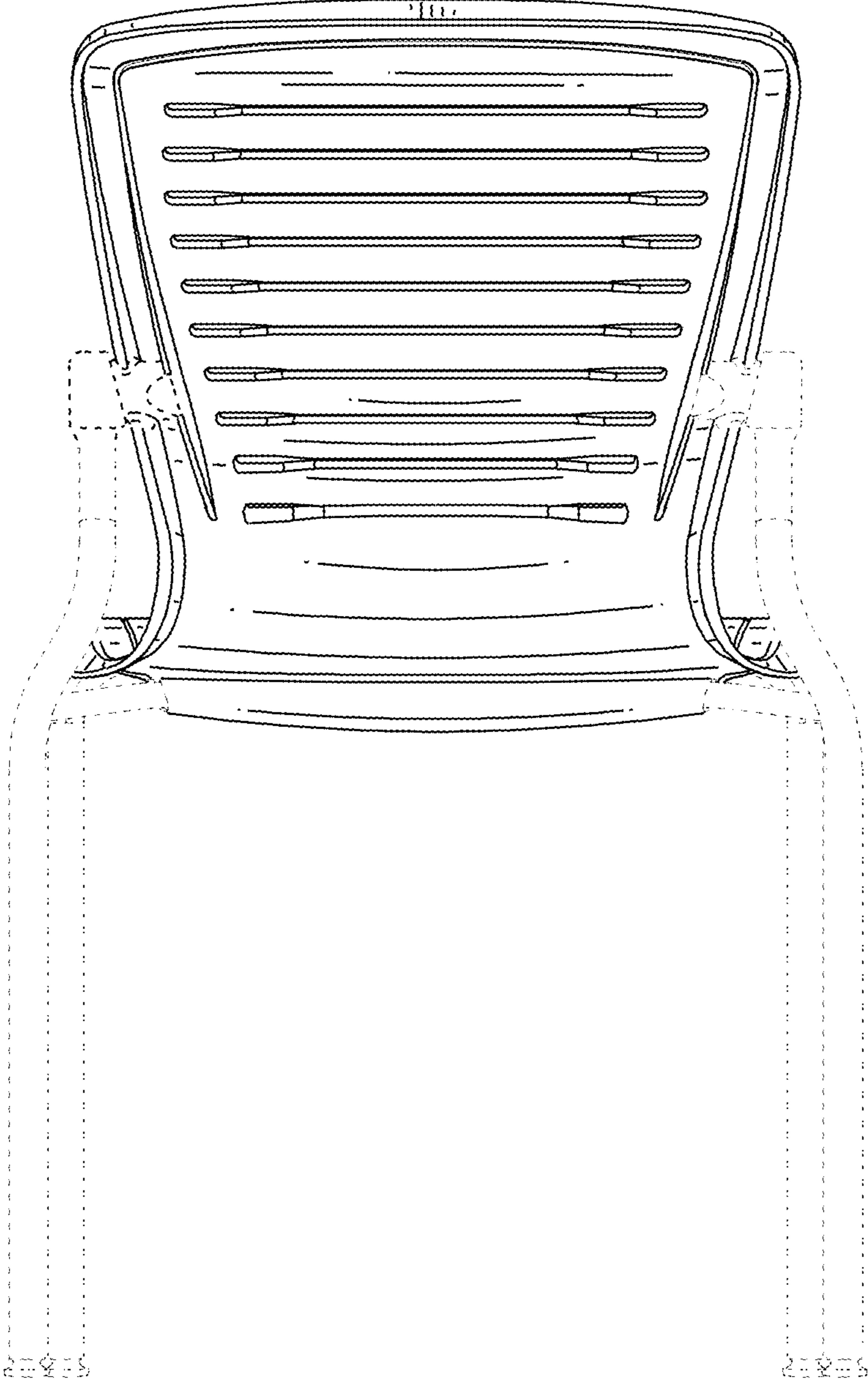


FIG. 3

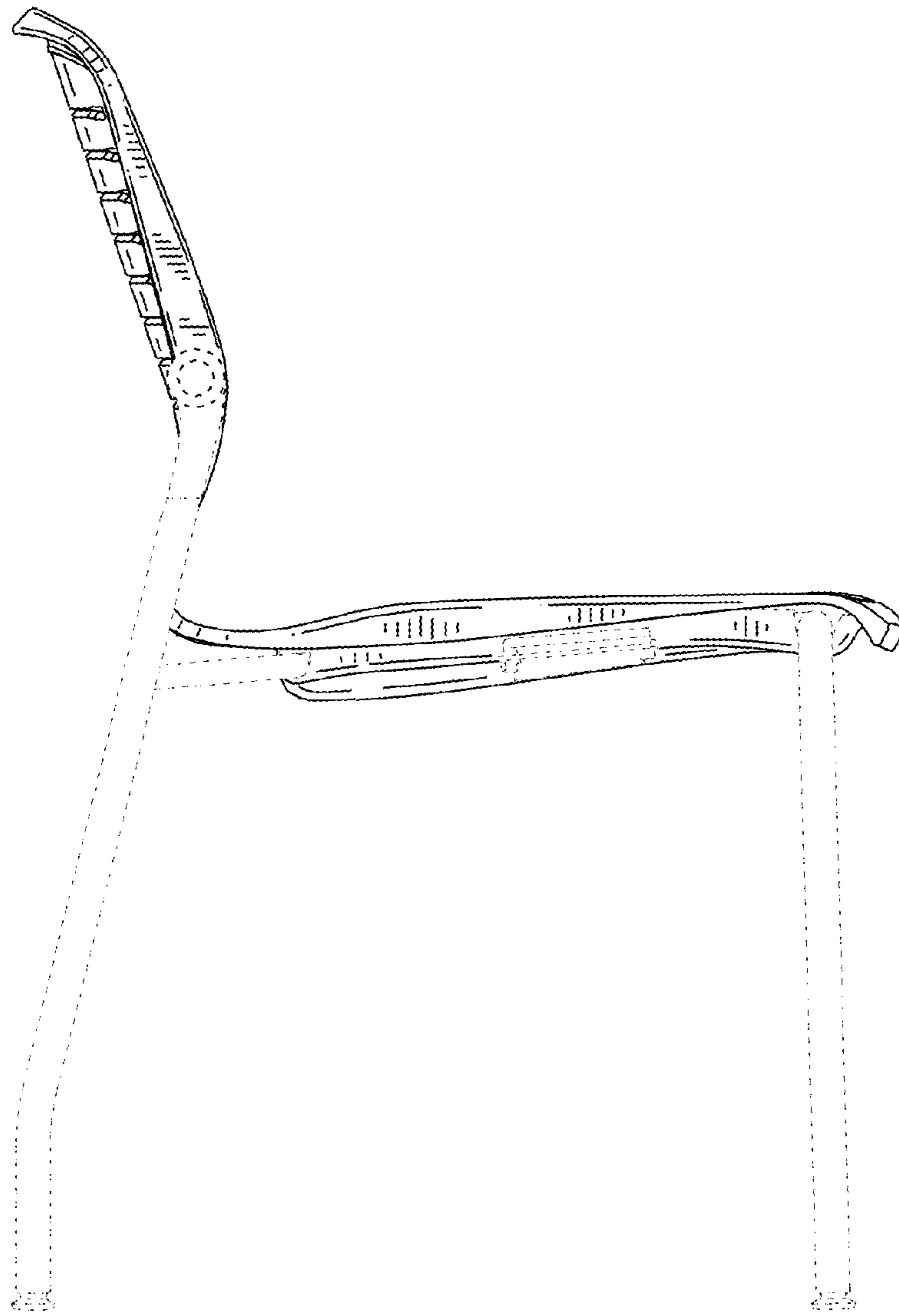


FIG. 4

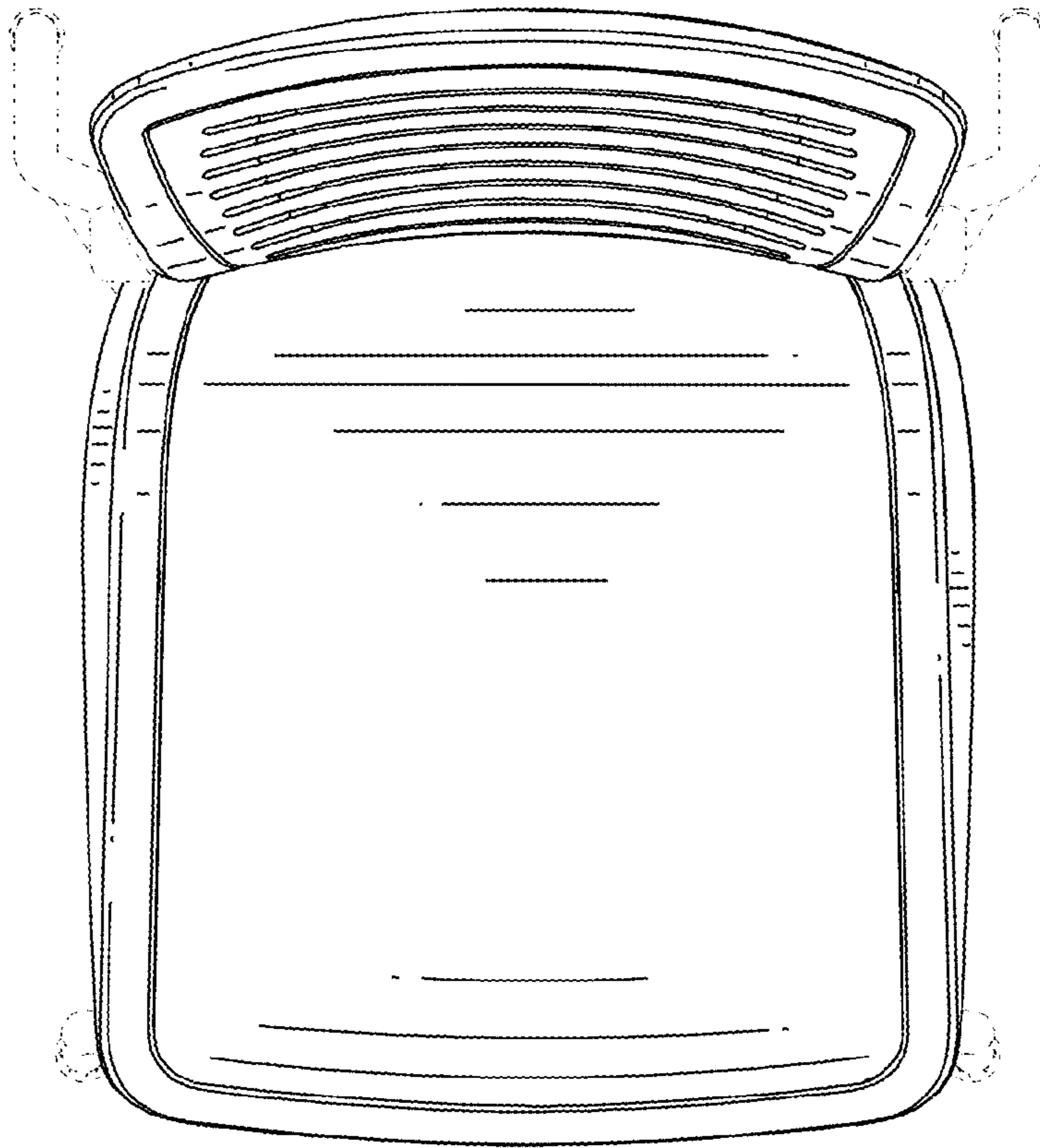


FIG. 5