



US00D706066S

(12) **United States Design Patent**  
**Ernst et al.**

(10) **Patent No.:** **US D706,066 S**  
(45) **Date of Patent:** **\*\* Jun. 3, 2014**

(54) **CONCRETE BAR FOR A GRILL**  
(75) Inventors: **Gregory Scott Ernst**, Elgin, MN (US);  
**Brian A. Price**, Rochester, MN (US)  
(73) Assignee: **Mortarless Technologies, LLC**,  
Rochester, MN (US)

D262,086 S \* 12/1981 Miller ..... D7/333  
D385,023 S \* 10/1997 Newman et al. .... D23/343  
D513,796 S \* 1/2006 Borowske et al. .... D23/343  
D549,035 S \* 8/2007 Chung ..... D7/333  
D647,332 S \* 10/2011 Pederson et al. .... D6/481  
D648,155 S \* 11/2011 Ernst et al. .... D6/481  
D696,758 S \* 12/2013 Ernst ..... D23/345  
8,607,776 B2 \* 12/2013 Jansson et al. .... 126/25 R

(\*\*) Term: **14 Years**

\* cited by examiner

(21) Appl. No.: **29/417,942**

*Primary Examiner* — T. Chase Nelson

(22) Filed: **Apr. 10, 2012**

*Assistant Examiner* — Kathleen M Sims

(51) **LOC (10) Cl.** ..... **06-03**

(74) *Attorney, Agent, or Firm* — Fish & Richardson P.C.

(52) **U.S. Cl.**  
USPC ..... **D6/699**

(57) **CLAIM**

(58) **Field of Classification Search**  
USPC ..... D6/698–699; 312/140.1, 140.2, 140.3;  
126/150, 500, 512; D7/333; D23/343,  
D23/345

The ornamental design for a concrete bar for a grill, as shown and described.

See application file for complete search history.

**DESCRIPTION**

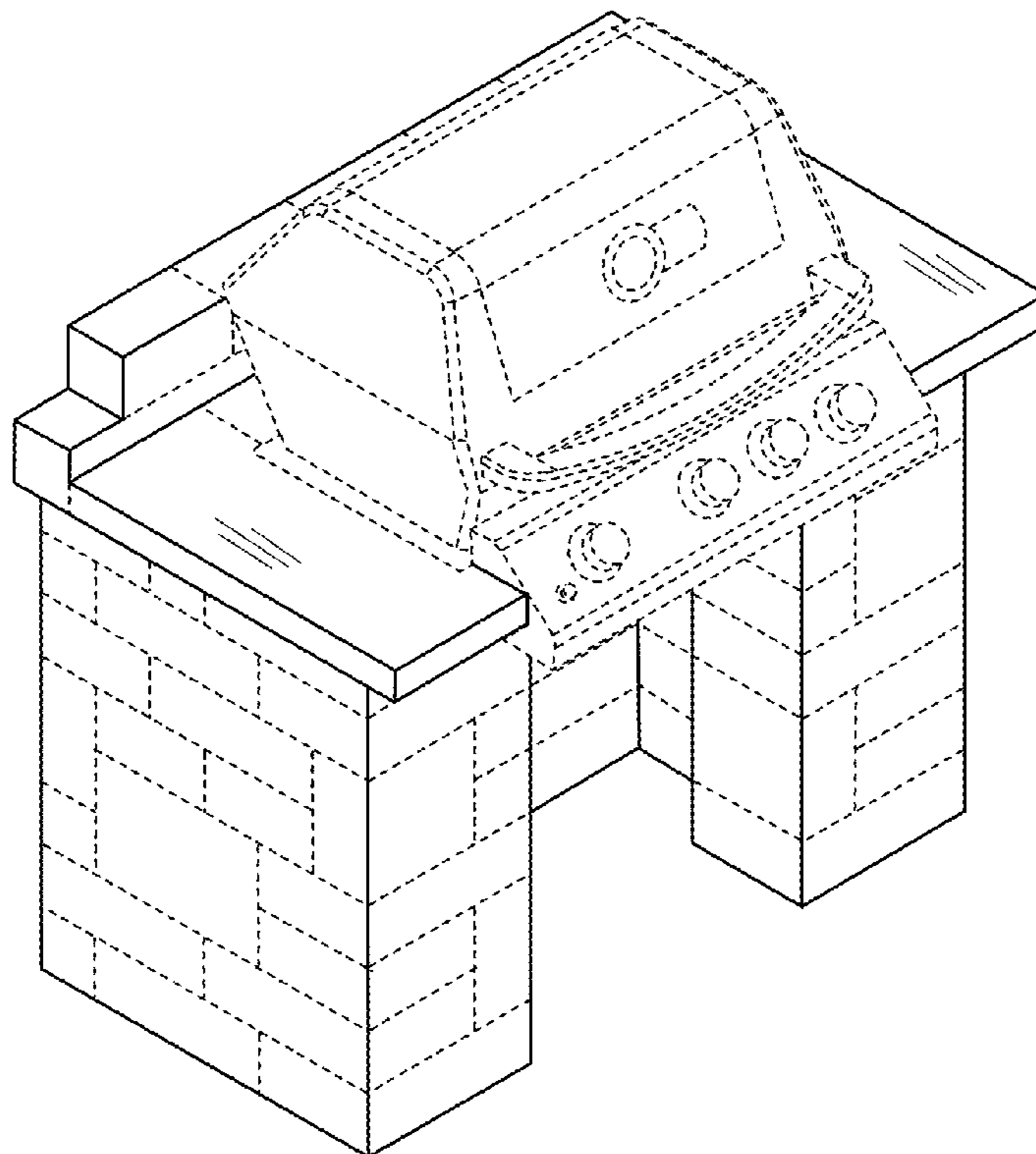
(56) **References Cited**

U.S. PATENT DOCUMENTS

D86,953 S \* 5/1932 Gray ..... D6/481  
D104,221 S \* 4/1937 Miller ..... D11/149  
D170,718 S \* 10/1953 Ringwall ..... D7/333  
2,728,334 A \* 12/1955 Paoella ..... 126/25 R  
D184,794 S \* 4/1959 Barber ..... D7/333  
3,561,420 A \* 2/1971 Paoella ..... 126/8  
D222,569 S \* 11/1971 Janson et al. .... D7/333

FIG. 1 is a perspective view of a concrete bar for a grill.  
FIG. 2 is a front view of the concrete bar of FIG. 1.  
FIG. 3 is a back view of the concrete bar of FIG. 1.  
FIG. 4 is a left side view of the concrete bar of FIG. 1.  
FIG. 5 is a right side view of the concrete bar of FIG. 1.  
FIG. 6 is a top view of the concrete bar of FIG. 1; and,  
FIG. 7 is a bottom view of the concrete bar of FIG. 1.  
The broken lines are for environmental purposes only and form no part of the claimed design.

**1 Claim, 4 Drawing Sheets**



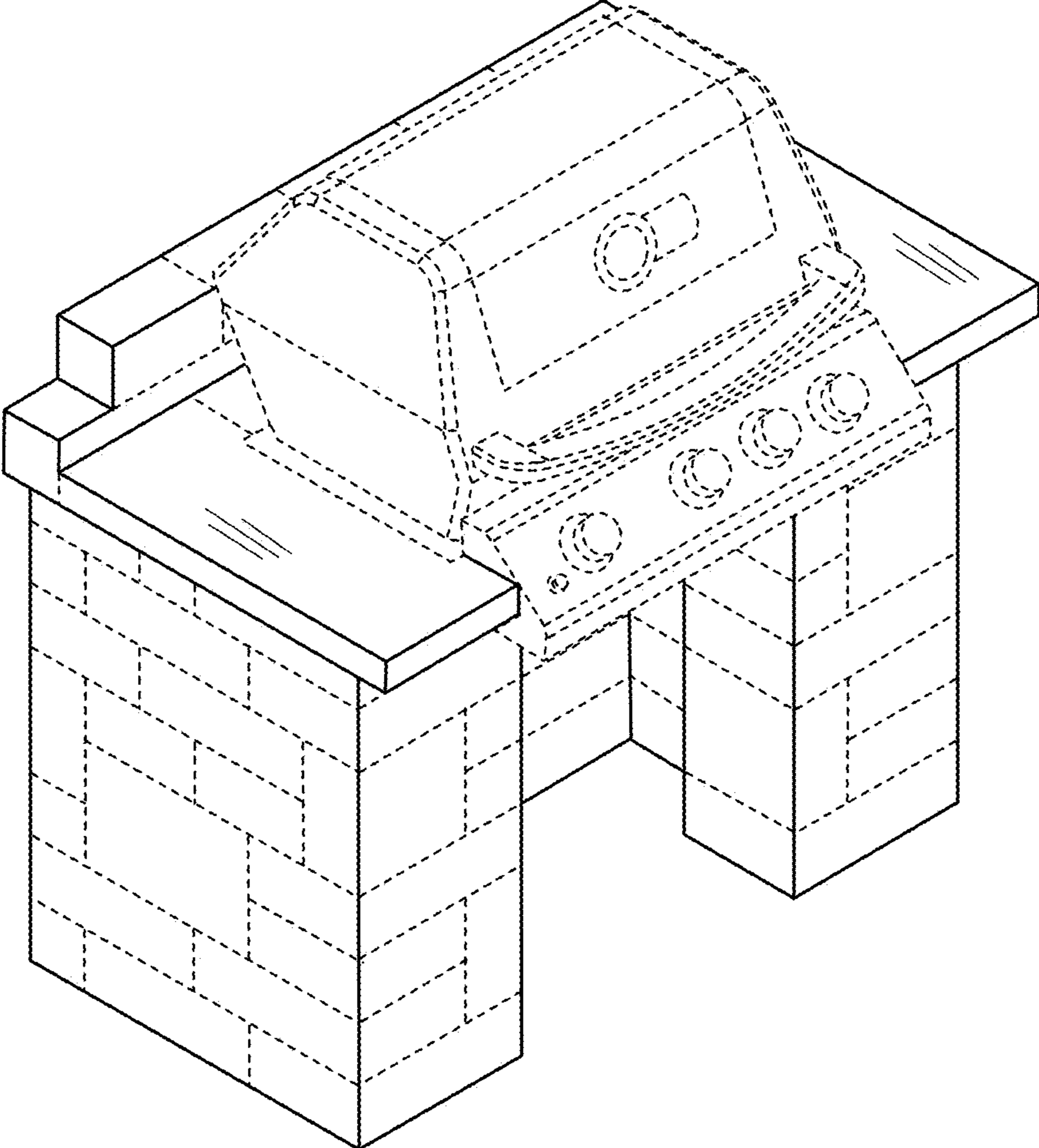


FIG. 1

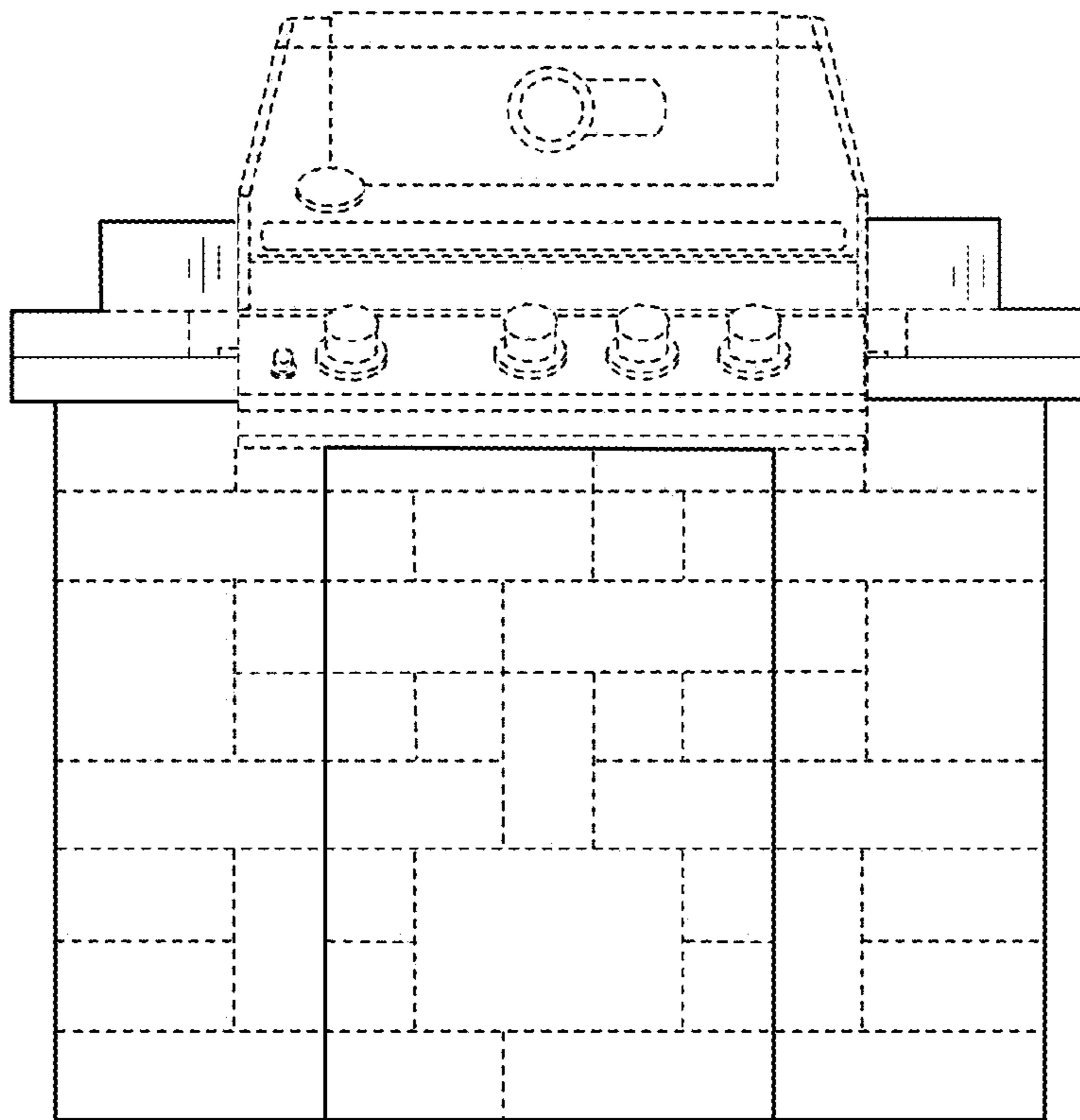


FIG. 2

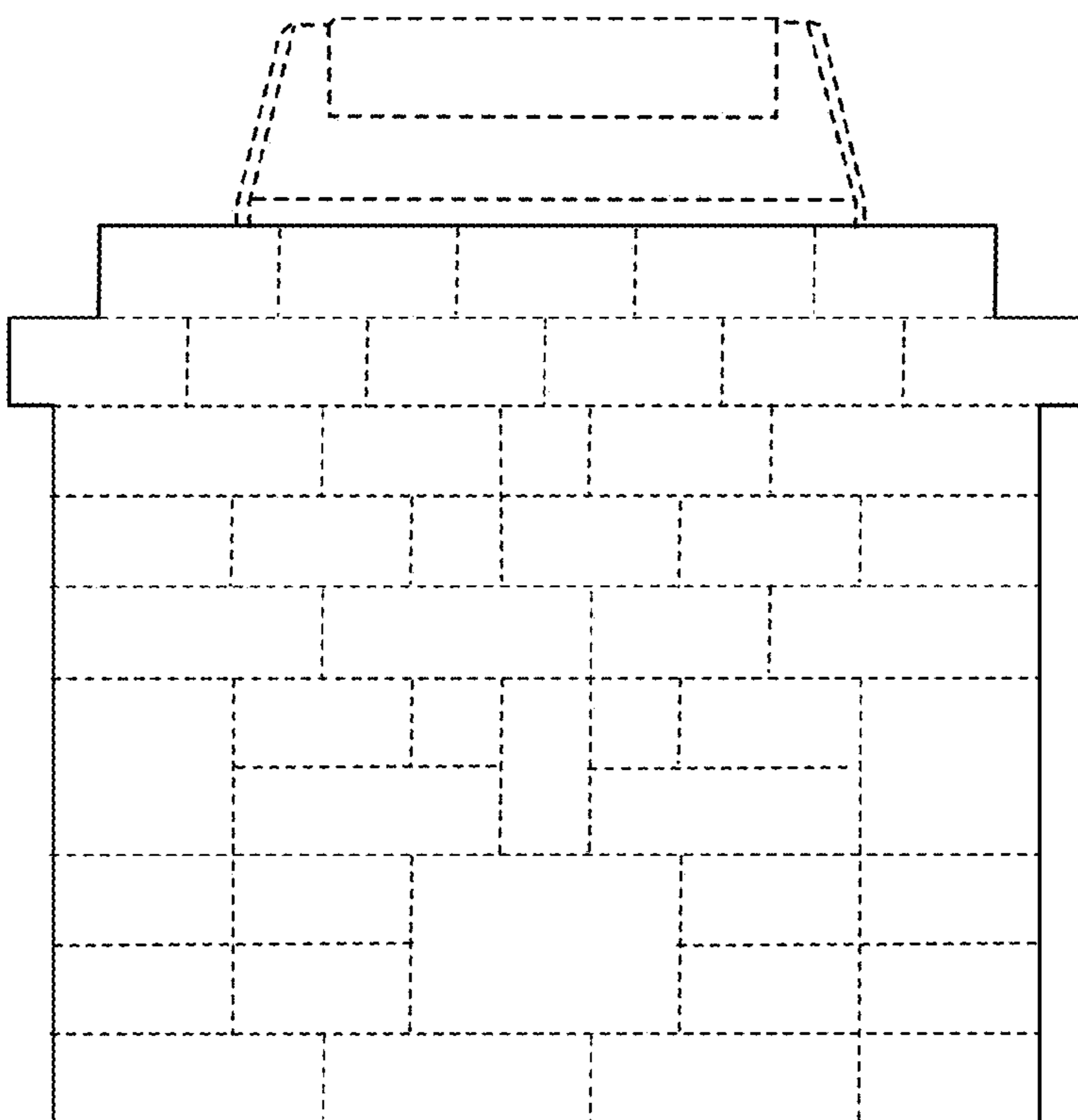


FIG. 3

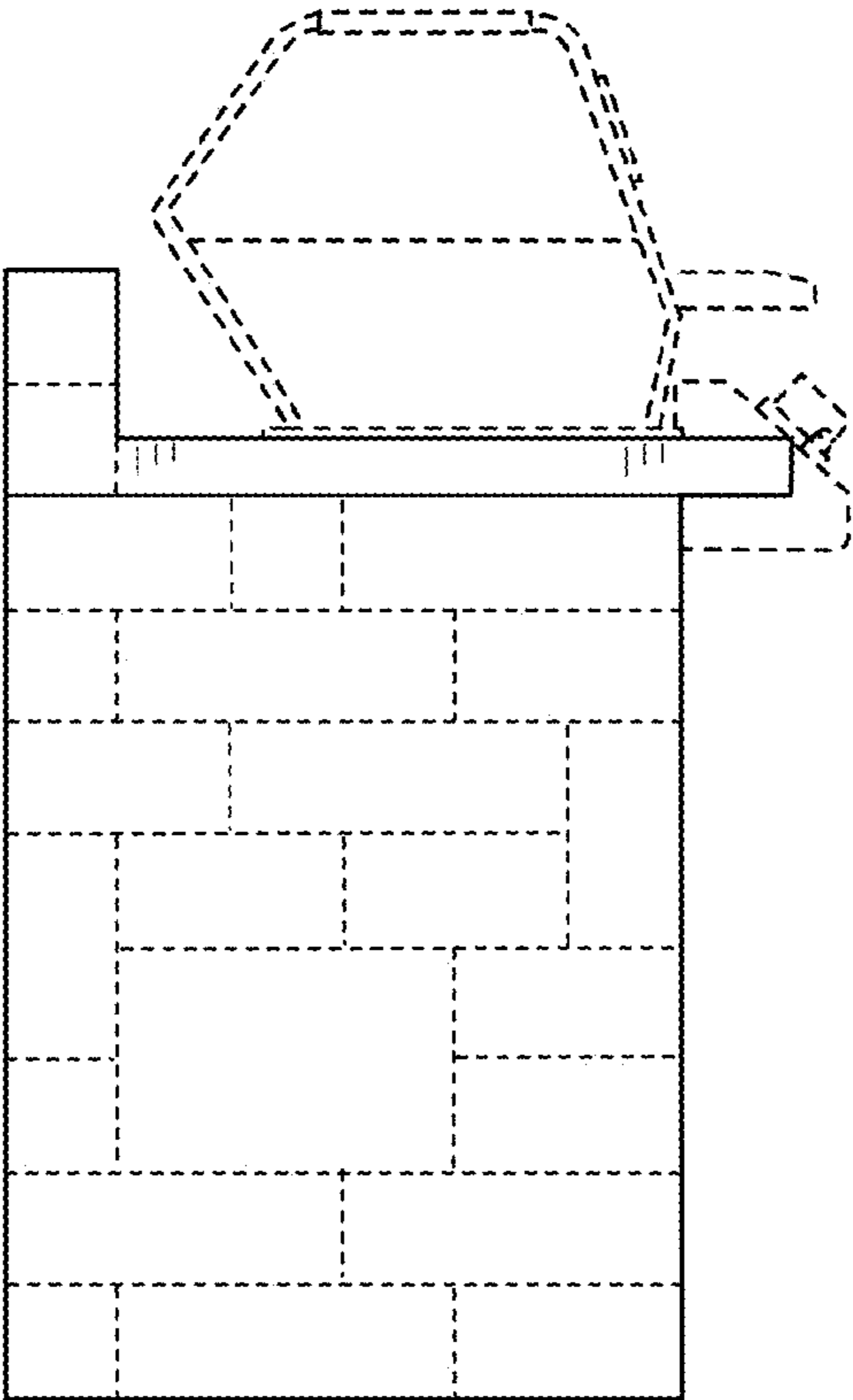


FIG. 4

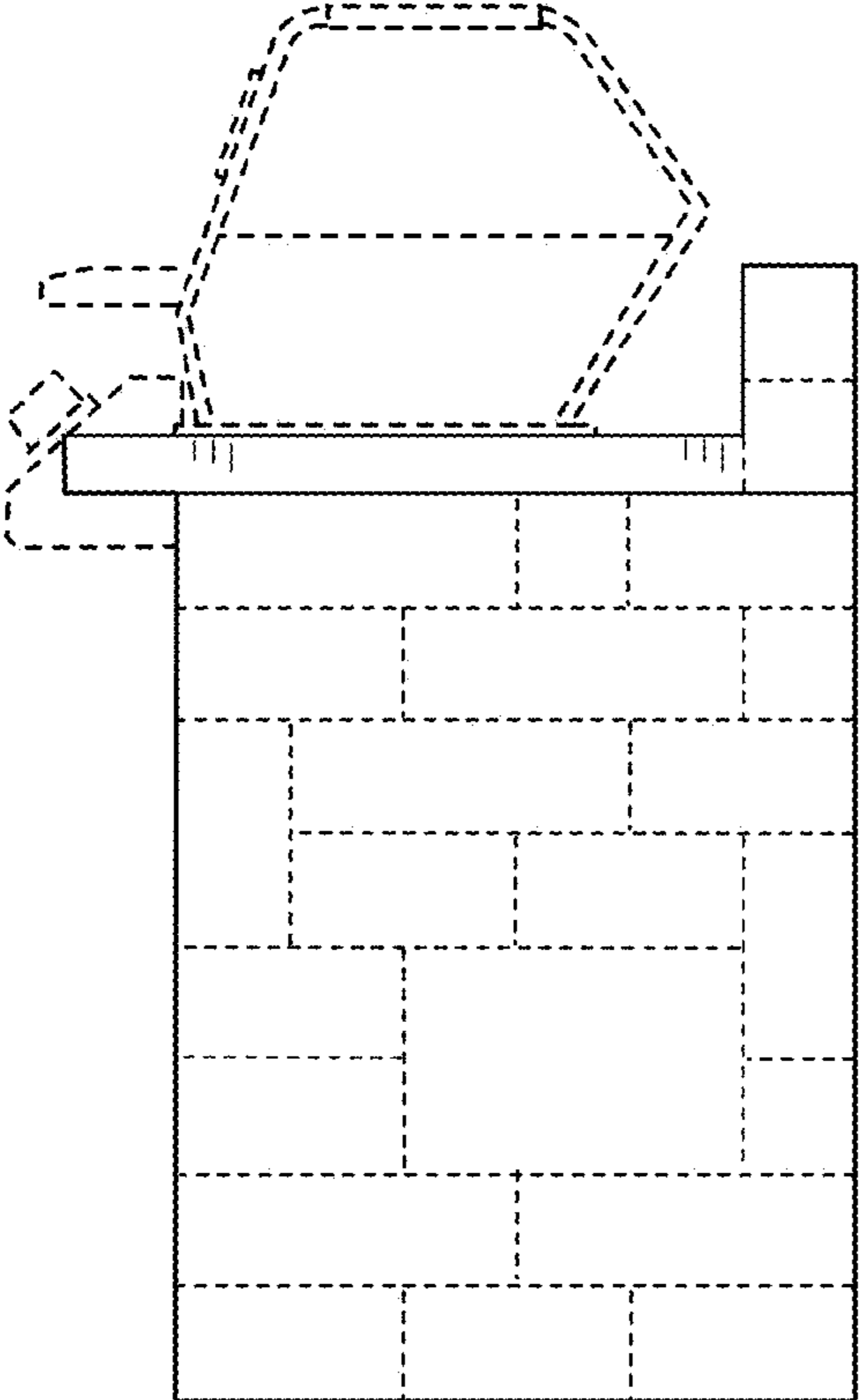


FIG. 5

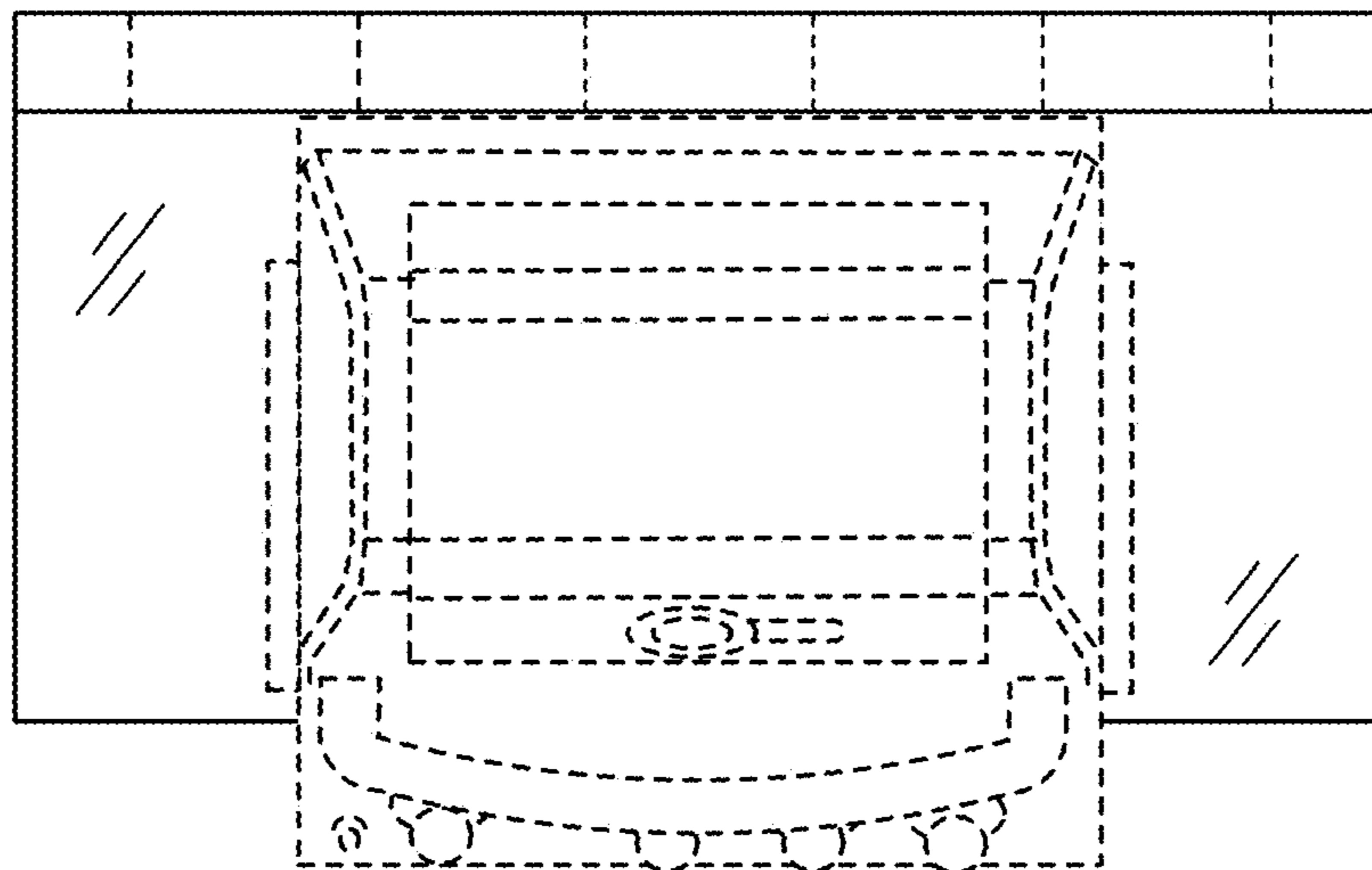


FIG. 6

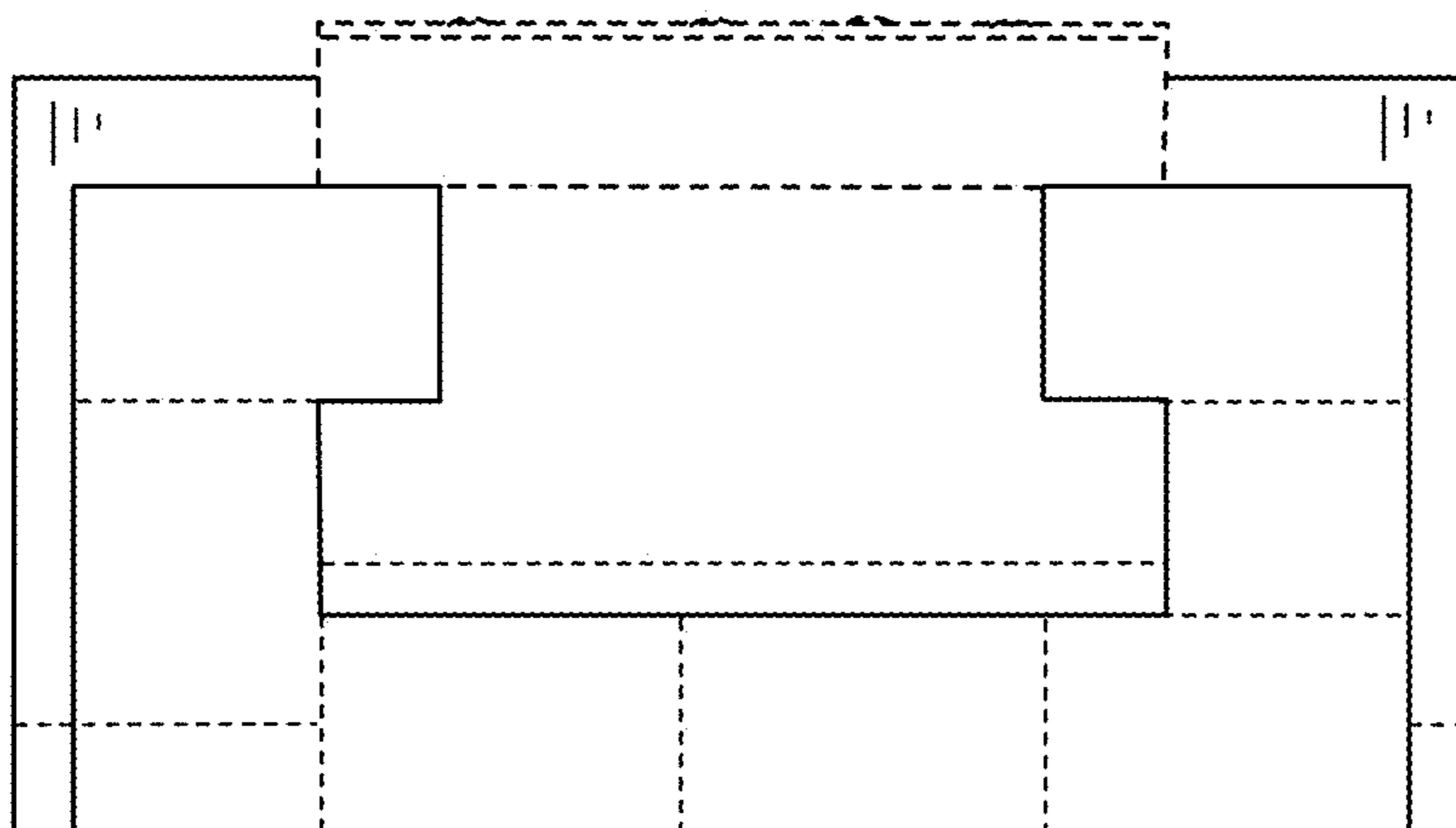


FIG. 7