



US00D706050S

(12) **United States Design Patent**
Yang

(10) **Patent No.:** **US D706,050 S**
(45) **Date of Patent:** **** Jun. 3, 2014**

(54) **CHAIR FRAME (COMMON FOLDING CHAIR)**

(71) Applicant: **Zhejiang Hengfeng Top Leisure Co., Ltd.**, Zhejiang (CN)

(72) Inventor: **Baoqing Yang**, Zhejiang (CN)

(73) Assignee: **Zhejiang Hengfeng Top Leisure Co., Ltd.** (CN)

(**) Term: **14 Years**

(21) Appl. No.: **29/458,737**

(22) Filed: **Jun. 21, 2013**

(30) **Foreign Application Priority Data**

May 10, 2013 (CN) 2013 3 0171013

(51) **LOC (10) Cl.** **06-01**

(52) **U.S. Cl.**
USPC **D6/368**

(58) **Field of Classification Search**
USPC D6/334-336, 367, 368, 374, 375, 379,
D6/380, 716, 716.1, 716.2, 716.3, 716.4;
297/16.1, 16.2, 41, 42, 44, 45, 46, 47,
297/55, 56, 440.11, 452.12, 452.13
See application file for complete search history.

(56) **References Cited**

U.S. PATENT DOCUMENTS

D421,192	S *	2/2000	White	D6/368
D431,382	S *	10/2000	Eloge et al.	D6/368
6,406,091	B1 *	6/2002	Saul et al.	297/16.2
6,550,855	B2 *	4/2003	Liu	297/42
6,634,705	B1 *	10/2003	Zheng	297/41
6,814,403	B2 *	11/2004	Zheng	297/42
6,926,356	B2 *	8/2005	Chen	297/45

7,017,985	B2 *	3/2006	Chen	297/56
7,073,852	B1 *	7/2006	Zheng	297/16.2
7,178,863	B1 *	2/2007	Norval	297/45
D556,468	S *	12/2007	Le Gal et al.	D6/368
7,328,940	B2 *	2/2008	Zheng	297/44
7,717,502	B2 *	5/2010	Deng	297/16.1
D674,628	S *	1/2013	Day	D6/368
D691,821	S *	10/2013	Mercieca et al.	D6/368
2003/0006632	A1 *	1/2003	Ku	297/45
2003/0020305	A1 *	1/2003	Liu	297/42
2004/0007903	A1 *	1/2004	Chang	297/45
2004/0212224	A1 *	10/2004	Chen	297/56
2007/0200395	A1 *	8/2007	Zheng	297/45
2011/0006564	A1 *	1/2011	Lougee	297/41
2013/0320651	A1 *	12/2013	Lougee	297/55

* cited by examiner

Primary Examiner — Mimoso De

(74) *Attorney, Agent, or Firm* — Cantor Colburn LLP

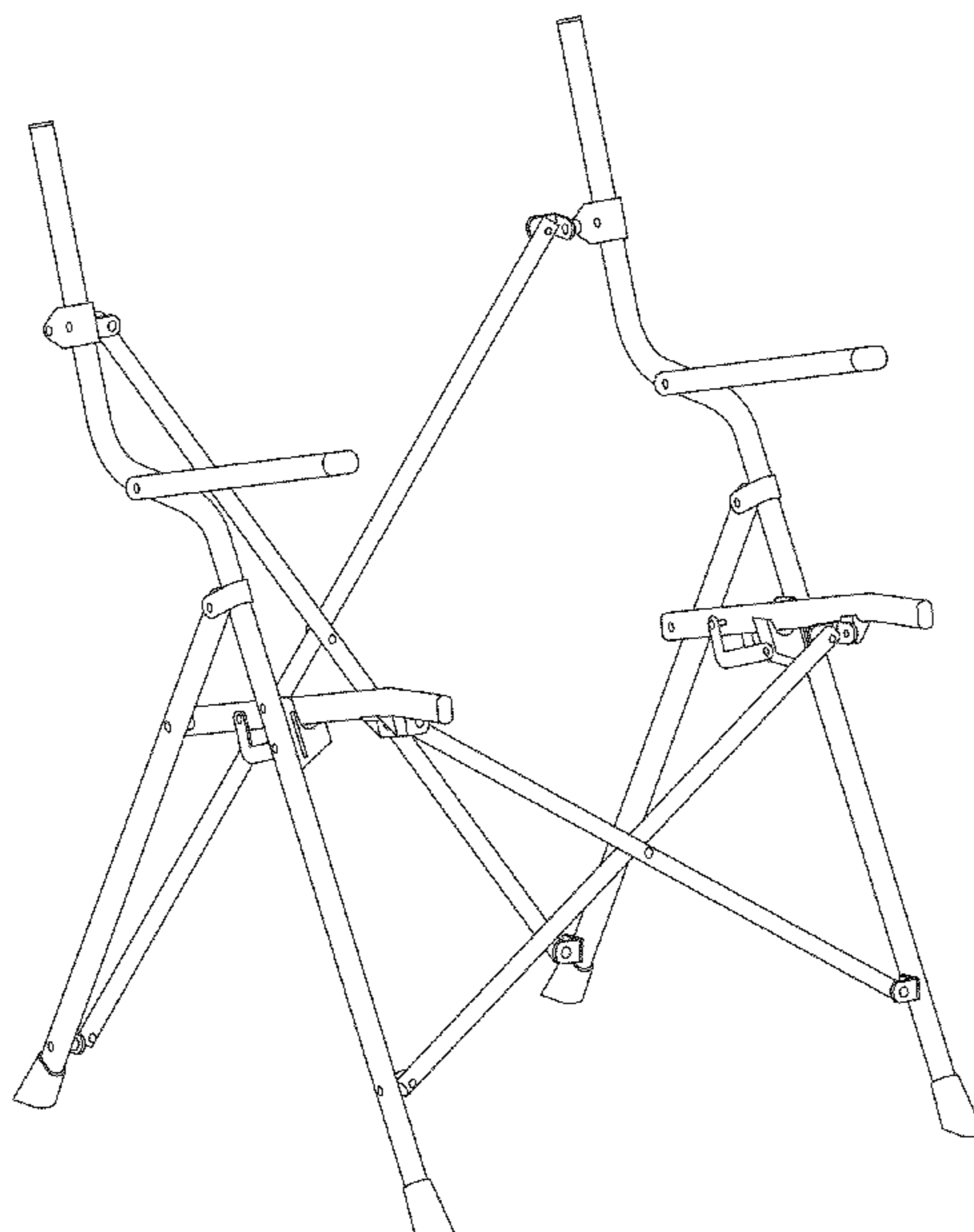
(57) **CLAIM**

The ornamental design for a chair frame (common folding chair), as shown and described.

DESCRIPTION

FIG. 1 is a front view of a chair frame of a folding chair according to the present application;
FIG. 2 is a rear view of the chair frame of the folding chair according to the present application;
FIG. 3 is a left view of the chair frame of the folding chair according to the present application;
FIG. 4 is a right view of the chair frame of the folding chair according to the present application;
FIG. 5 is a top view of the chair frame of the folding chair according to the present application;
FIG. 6 is a bottom view of the chair frame of the folding chair according to the present application; and,
FIG. 7 is a perspective view of the chair frame of the folding chair according to the present application.

1 Claim, 7 Drawing Sheets



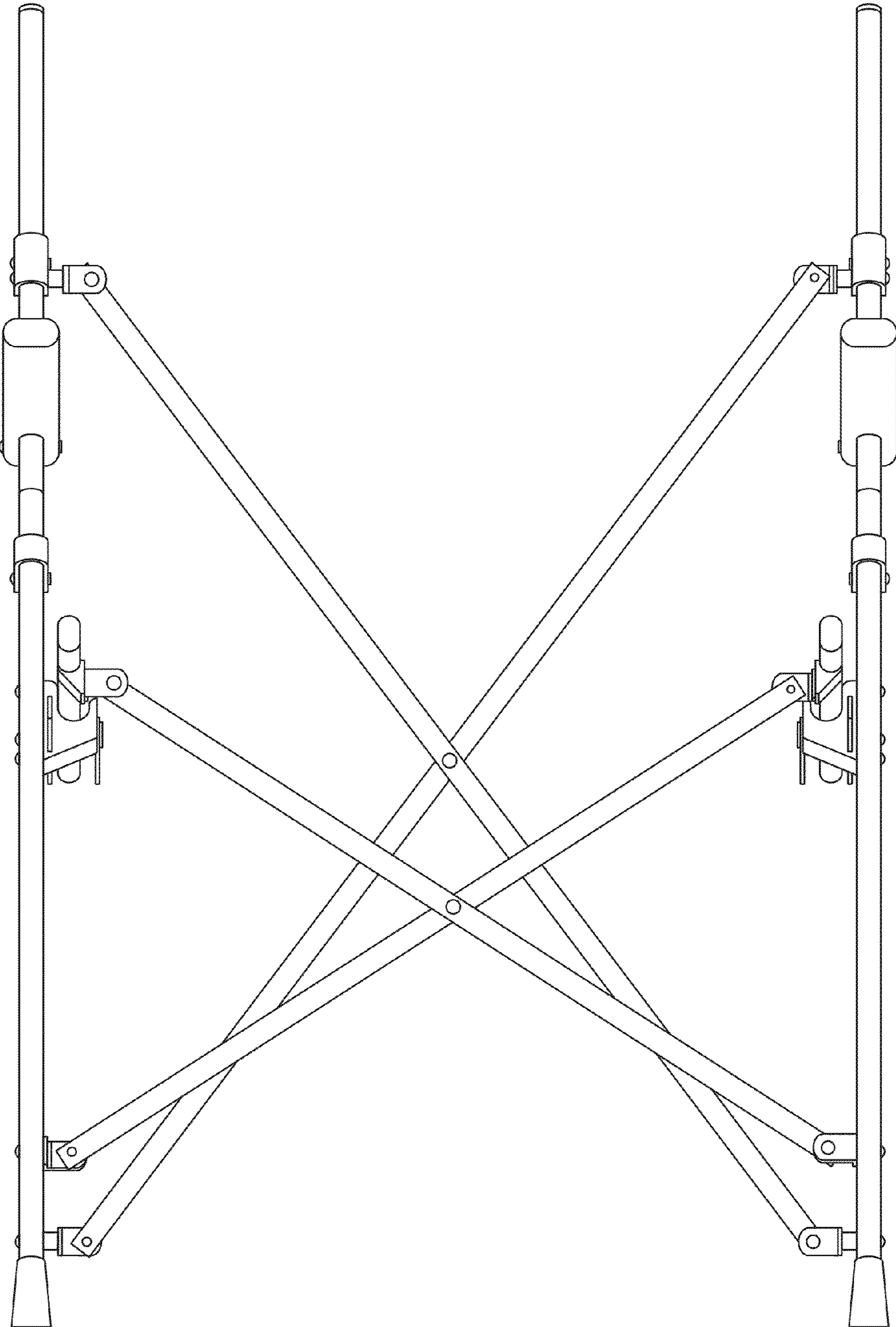


FIG. 1

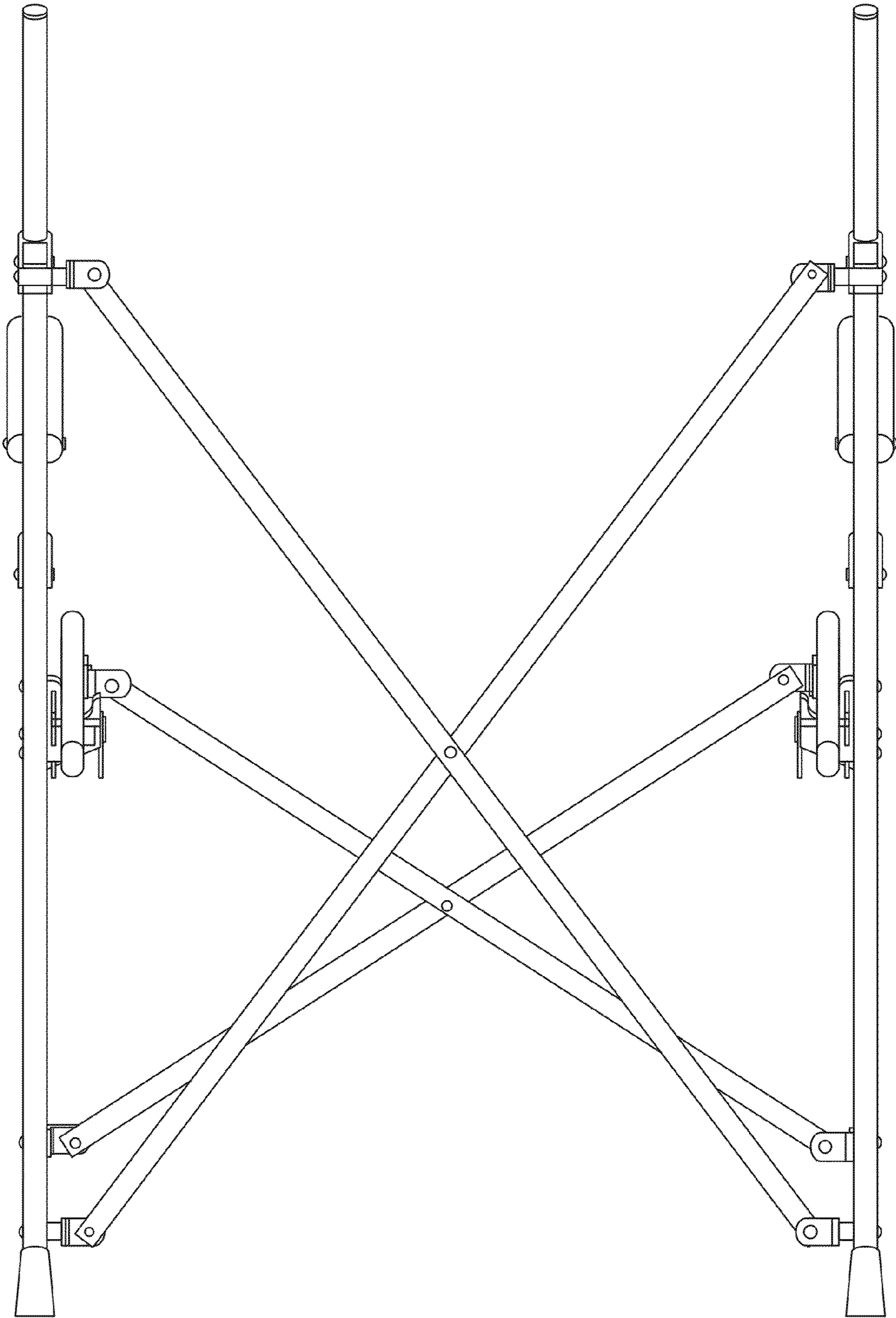


FIG. 2

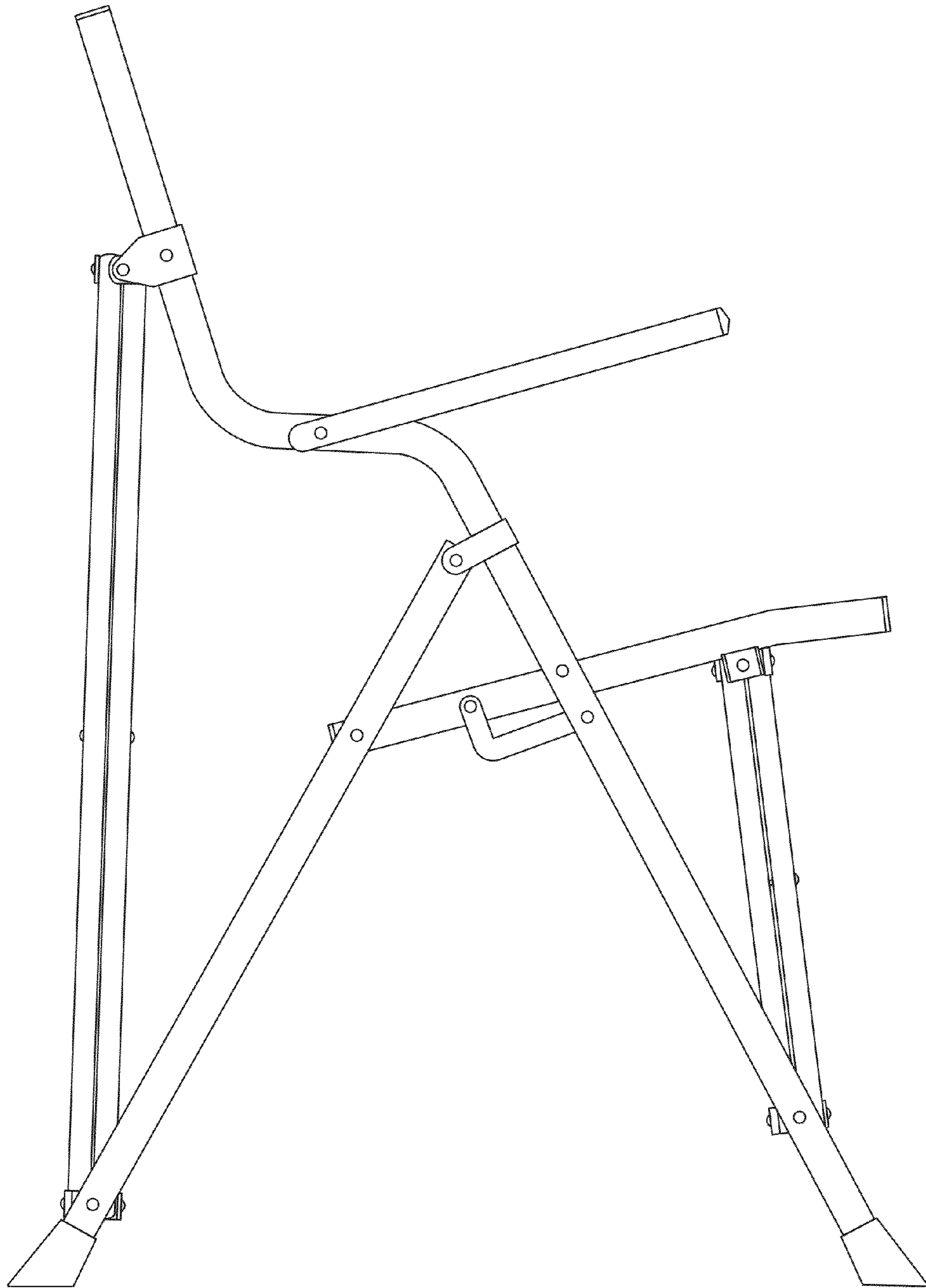


FIG. 3

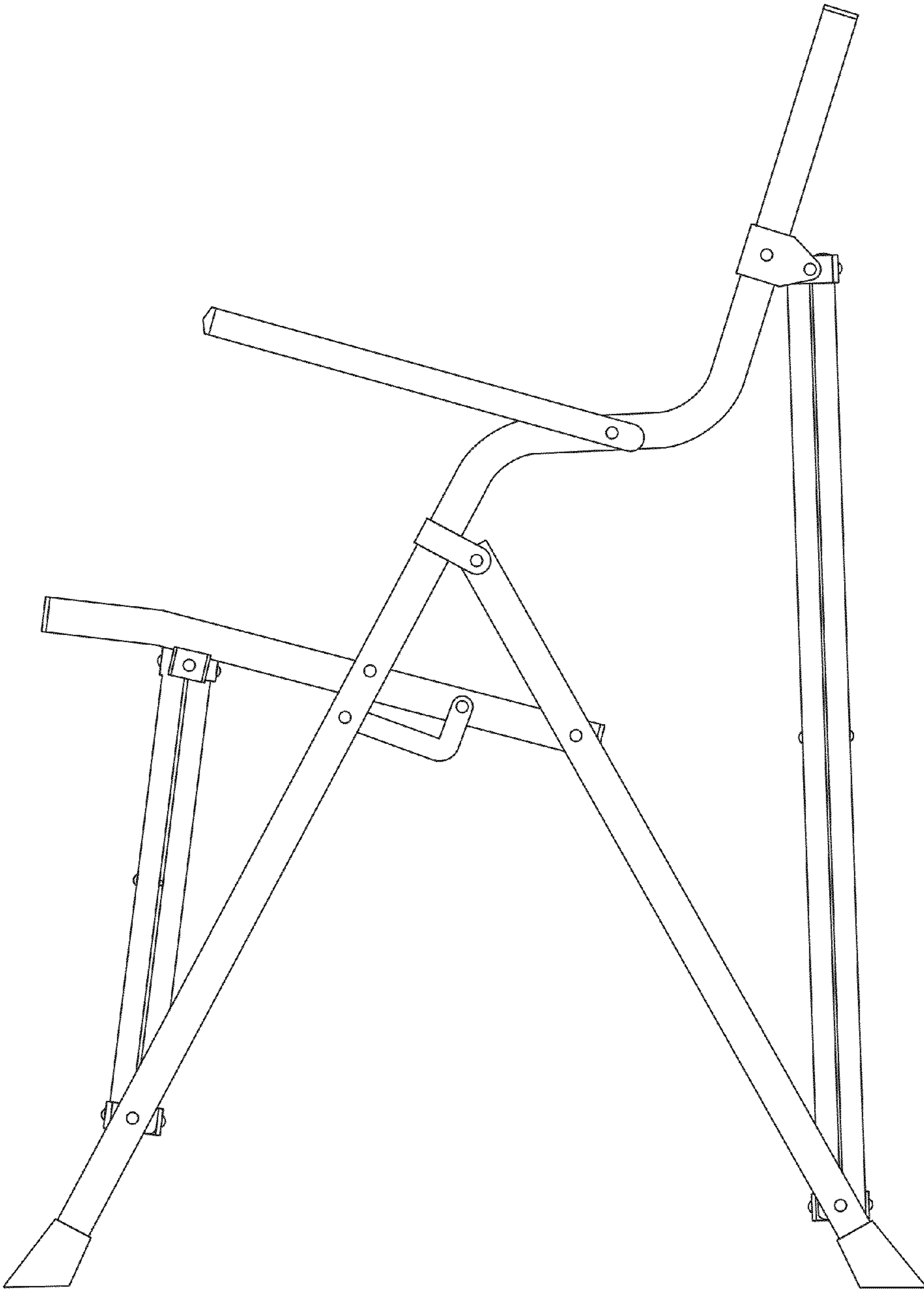


FIG. 4

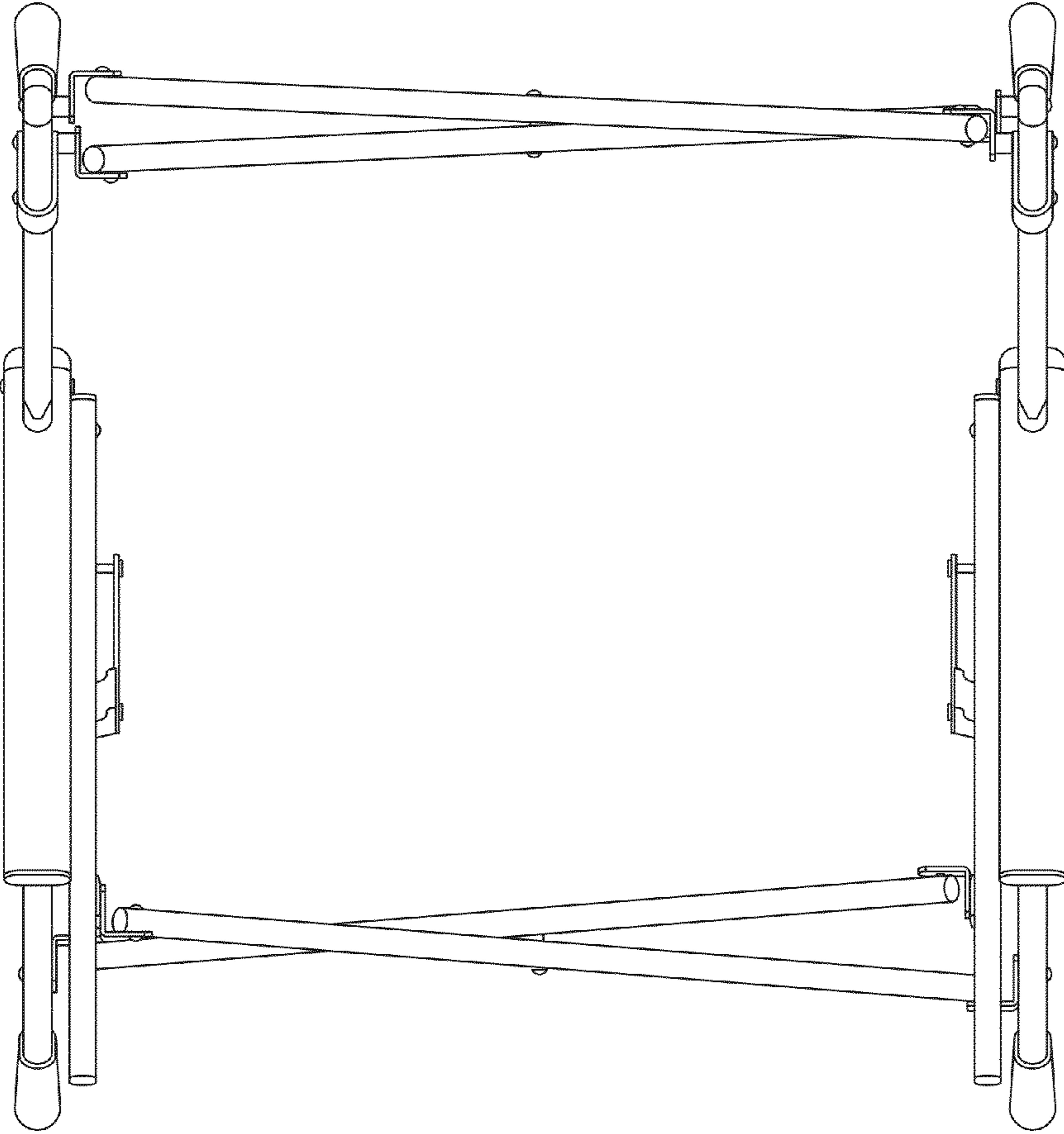


FIG. 5

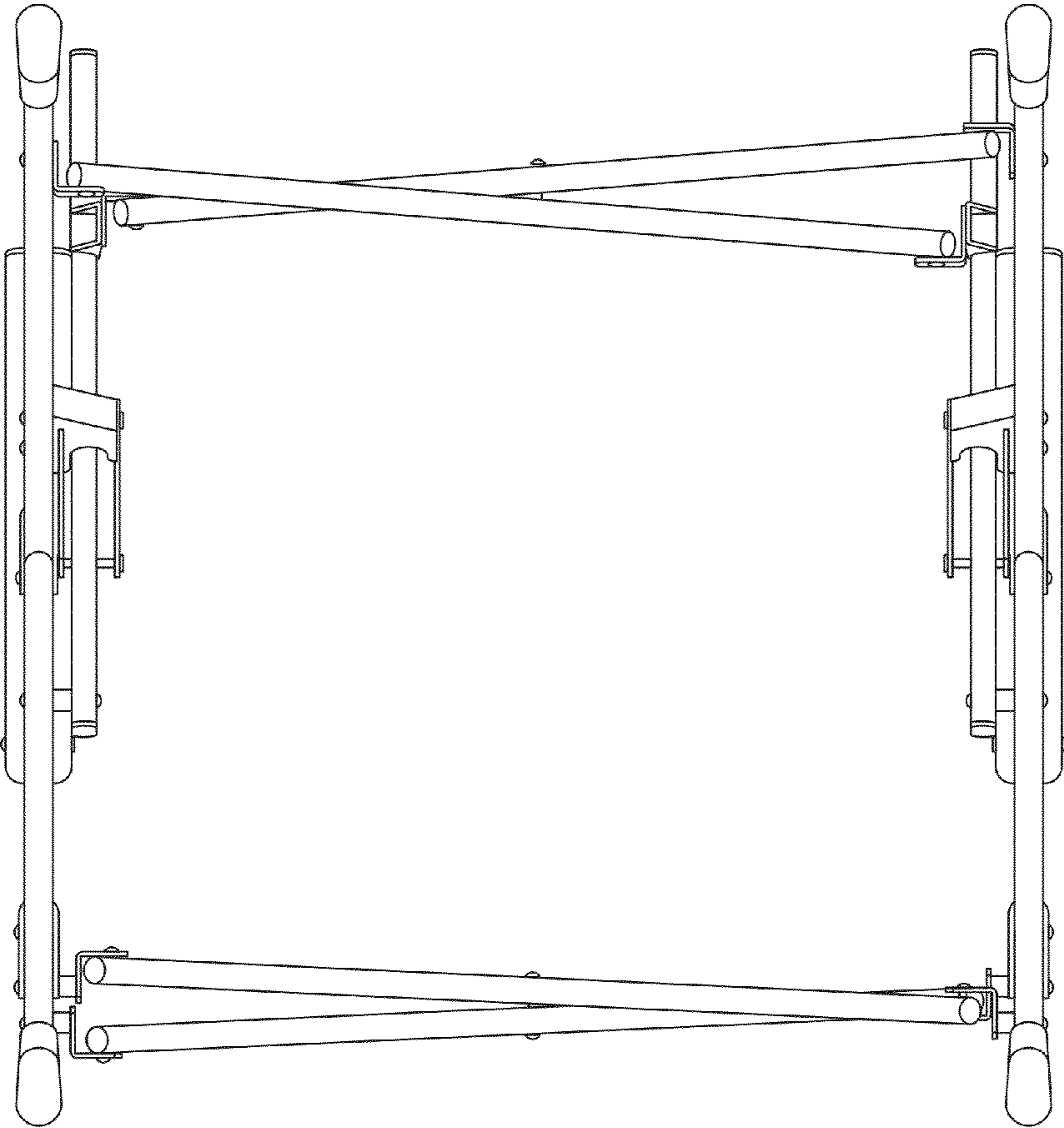


FIG. 6

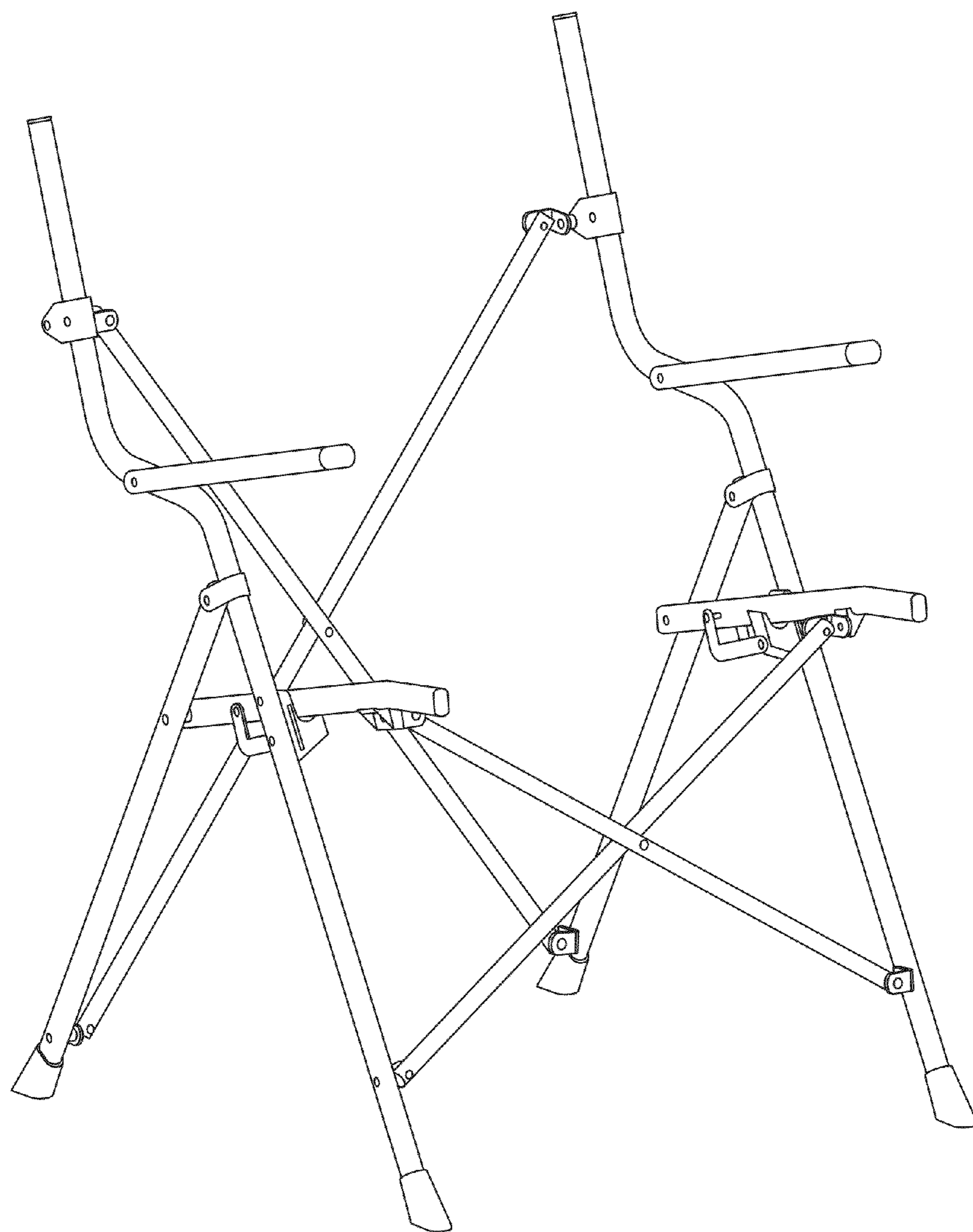


FIG. 7