



US00D706049S

(12) **United States Design Patent**  
**Yang**

(10) **Patent No.:** **US D706,049 S**  
(45) **Date of Patent:** **\*\* Jun. 3, 2014**

(54) **CHAIR FRAME (HIGH-END DIRECTOR'S CHAIR)**

(71) Applicant: **Zhejiang Hengfeng Top Leisure Co., Ltd.**, Zhejiang (CN)

(72) Inventor: **Baoqing Yang**, Zhejiang (CN)

(73) Assignee: **Zhejiang Hengfeng Top Leisure Co., Ltd.** (CN)

(\*\*) Term: **14 Years**

(21) Appl. No.: **29/458,730**

(22) Filed: **Jun. 21, 2013**

(30) **Foreign Application Priority Data**

May 10, 2013 (CN) ..... 2013 3 0171014

(51) **LOC (10) Cl.** ..... **06-01**

(52) **U.S. Cl.**  
USPC ..... **D6/368**

(58) **Field of Classification Search**

USPC ..... D6/334-336, 368, 371-373, 374, 375,  
D6/379, 380, 716, 716.1, 716.2, 716.3,  
D6/716.4; 297/16.1, 36, 42, 45, 46, 55, 56,  
297/440.11, 452.12, 452.13

See application file for complete search history.

(56) **References Cited**

**U.S. PATENT DOCUMENTS**

1,799,029 A \* 3/1931 Smith ..... 297/36  
3,071,409 A \* 1/1963 Gibson et al. .... 297/45

4,566,731 A \* 1/1986 Marchesini ..... 297/45  
D308,142 S \* 5/1990 Wilson ..... D6/368  
D376,484 S \* 12/1996 Gregory ..... D6/368  
D459,602 S \* 7/2002 Kreiss ..... D6/368  
D572,925 S \* 7/2008 Carrere ..... D6/368  
D651,011 S \* 12/2011 Massaud ..... D6/368  
D651,822 S \* 1/2012 Massaud ..... D6/368  
2010/0171342 A1 \* 7/2010 Chen ..... 297/45  
2013/0106145 A1 \* 5/2013 Chen ..... 297/42

\* cited by examiner

*Primary Examiner* — Mimosa De

(74) *Attorney, Agent, or Firm* — Cantor Colburn LLP

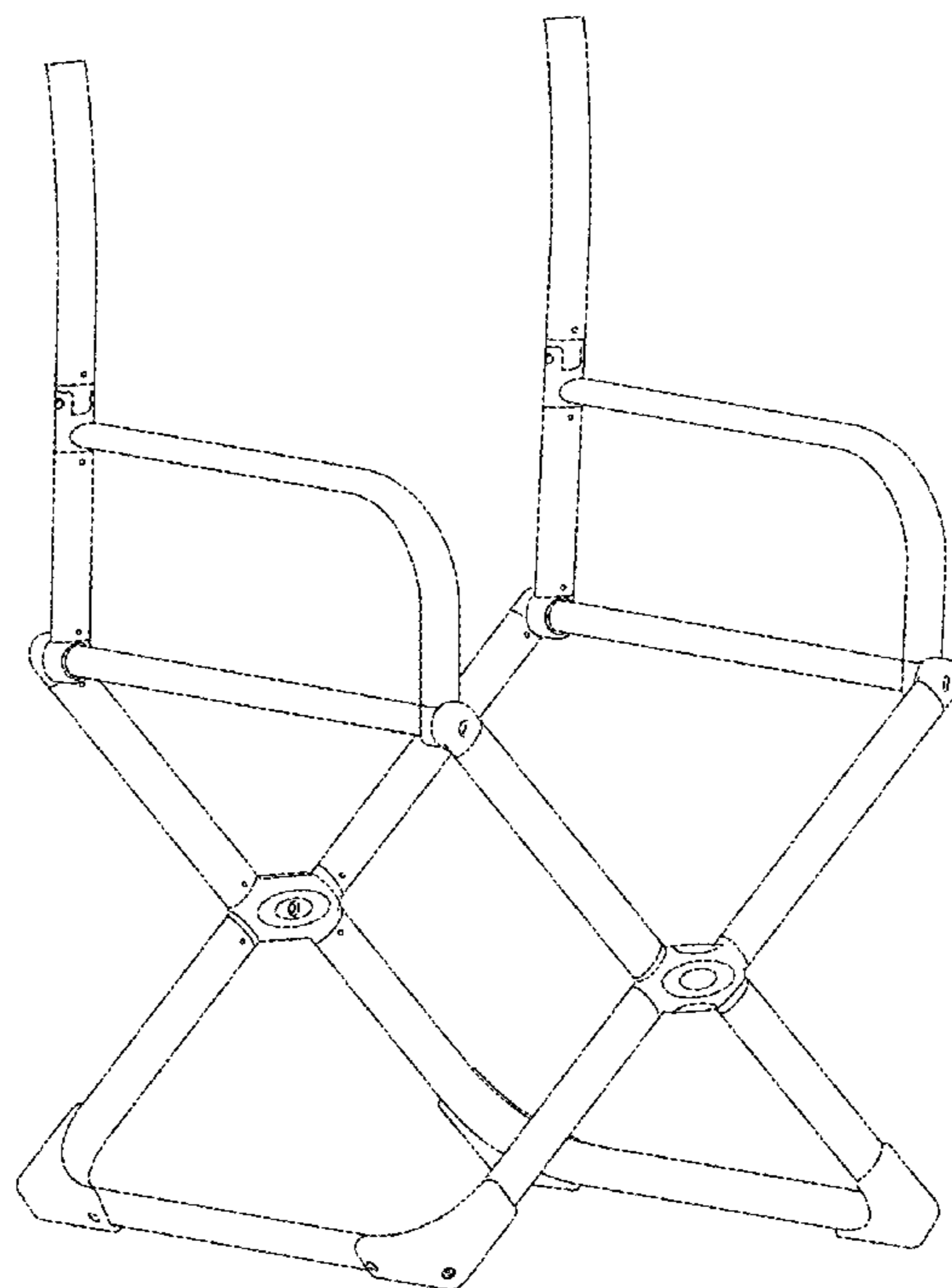
(57) **CLAIM**

The ornamental design for a chair frame (high-end director's chair), as shown and described.

**DESCRIPTION**

FIG. 1 is a front view of a chair frame of a high-end director's chair according to the present application;  
FIG. 2 is a rear view of a chair frame of a high-end director's chair according to the present application;  
FIG. 3 is a left view of a chair frame of a high-end director's chair according to the present application;  
FIG. 4 is a right view of the chair frame of the high-end director's chair according to the present application;  
FIG. 5 is a top view of the chair frame of the high-end director's chair according to the present application;  
FIG. 6 is a bottom view of the chair frame of the high-end director's chair according to the present application; and,  
FIG. 7 is a perspective view of the chair frame of the high-end director's chair according to the present application.

**1 Claim, 7 Drawing Sheets**



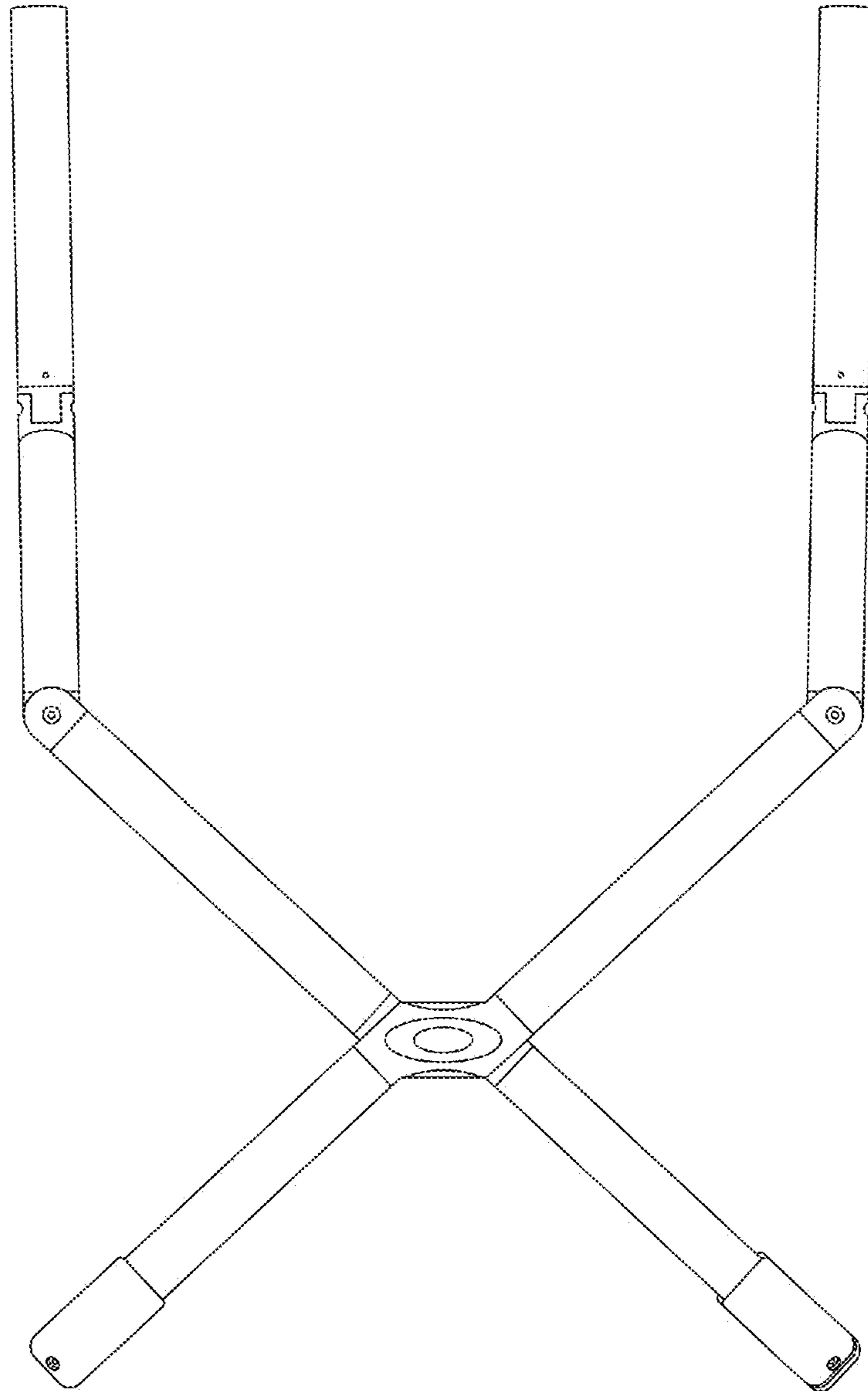


FIG. 1

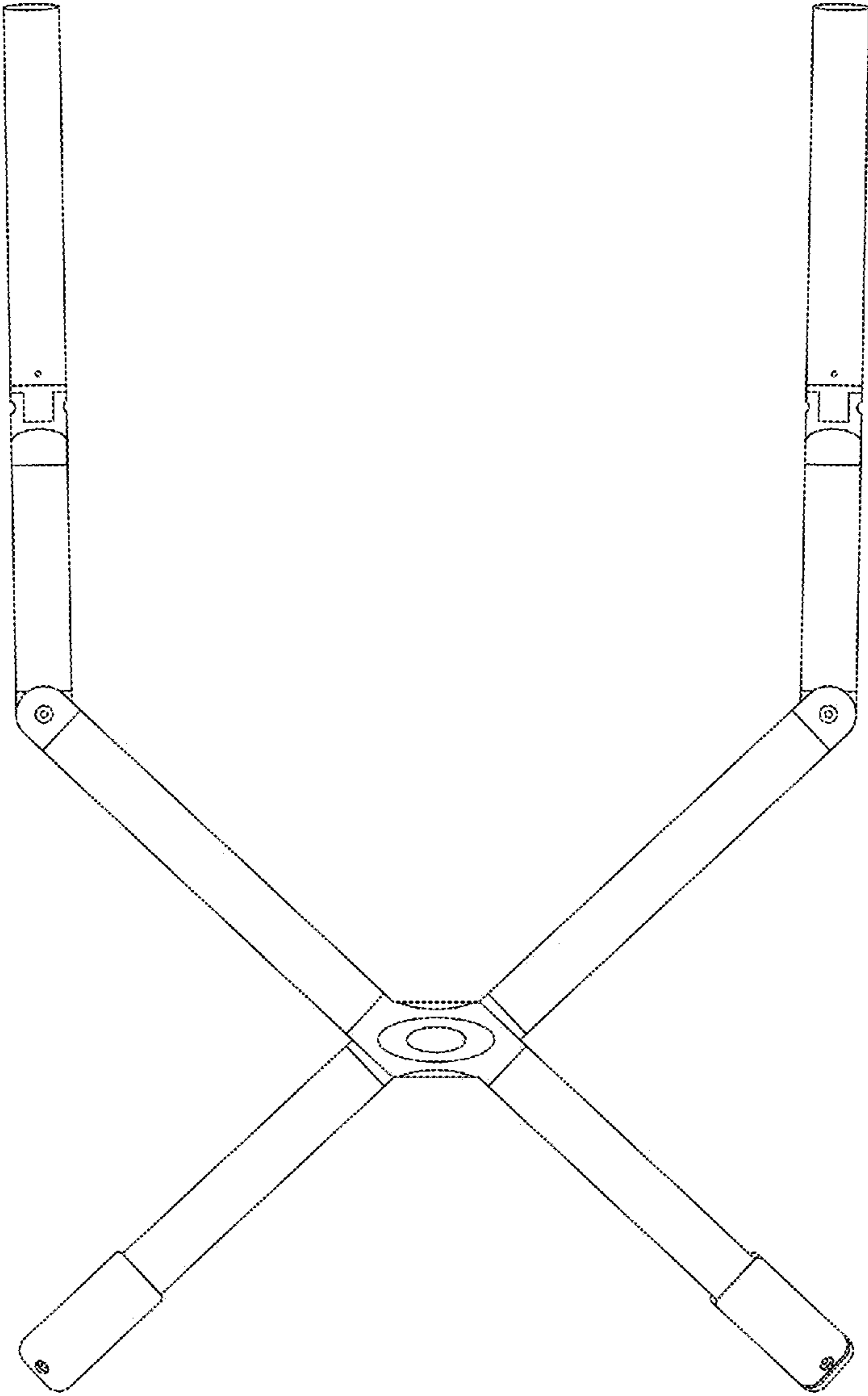


FIG. 2

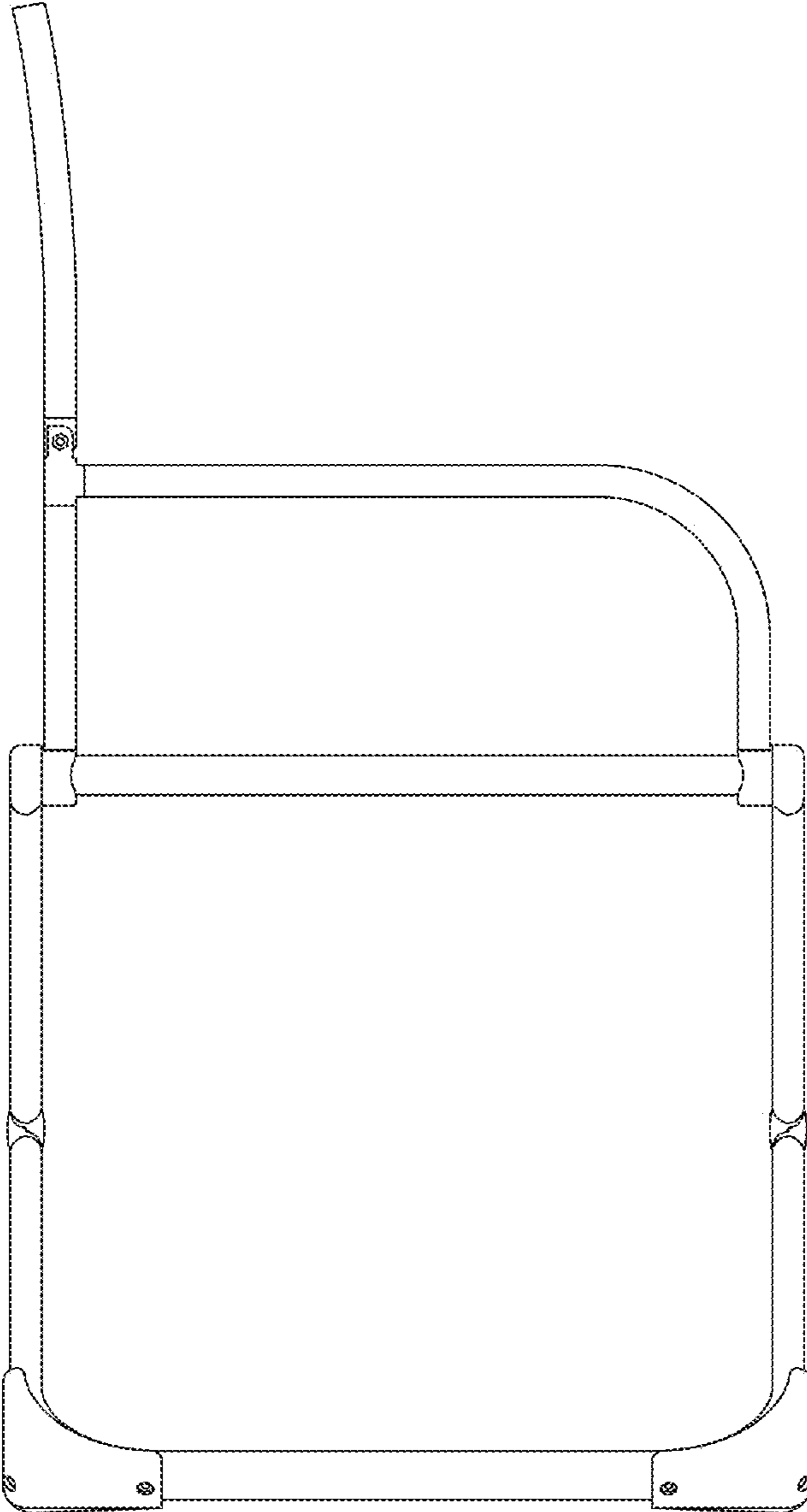


FIG. 3

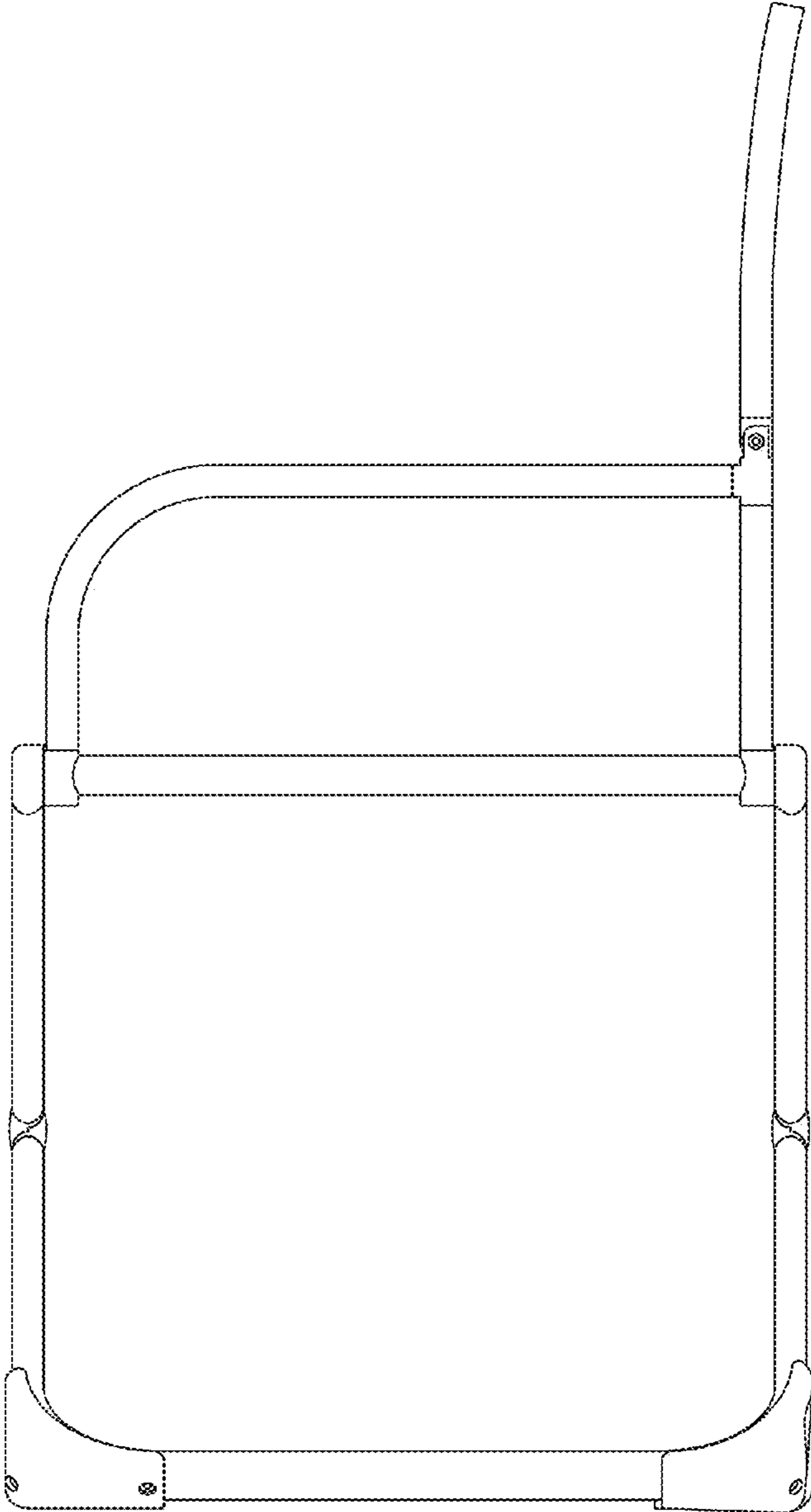


FIG. 4

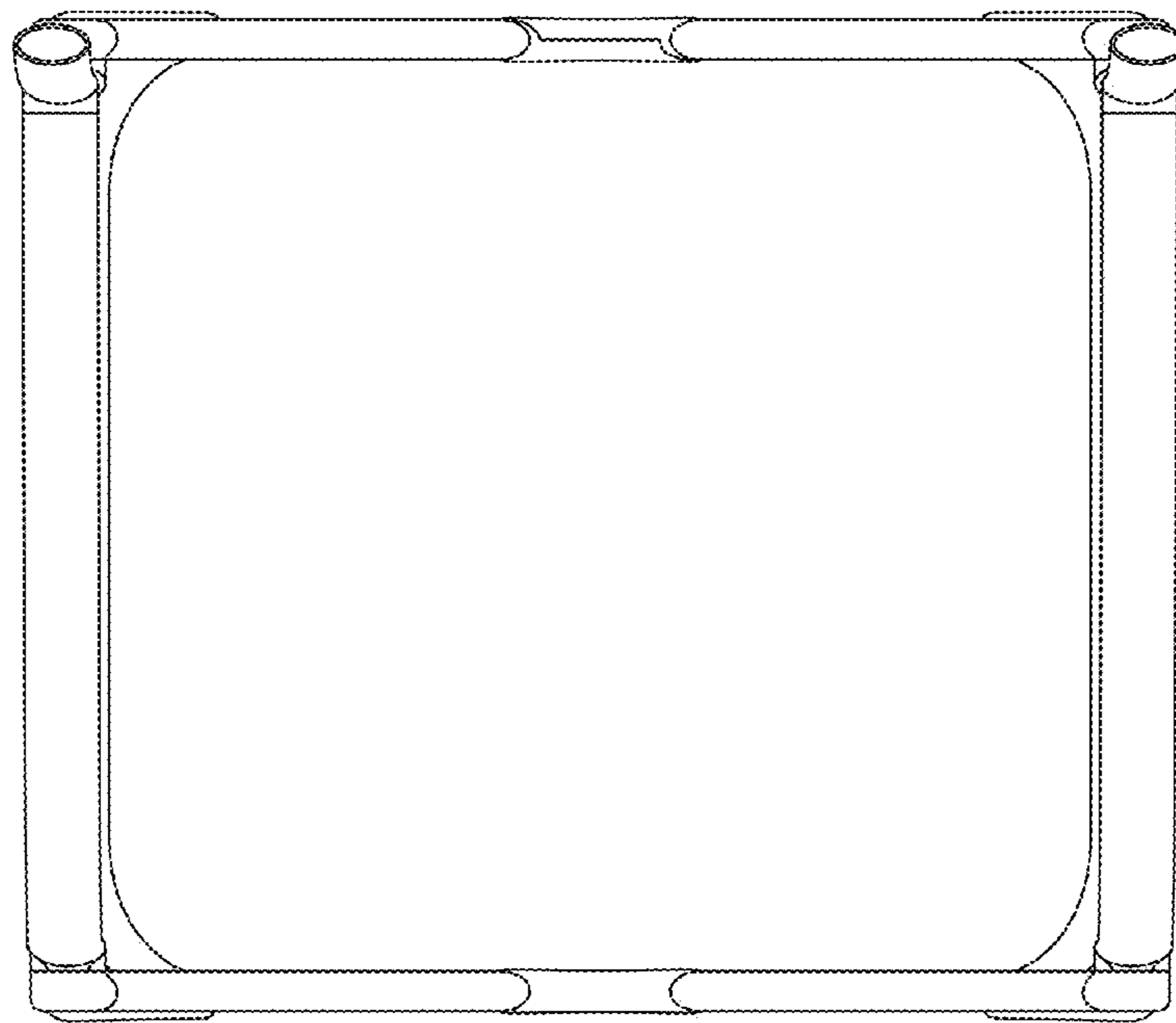


FIG. 5

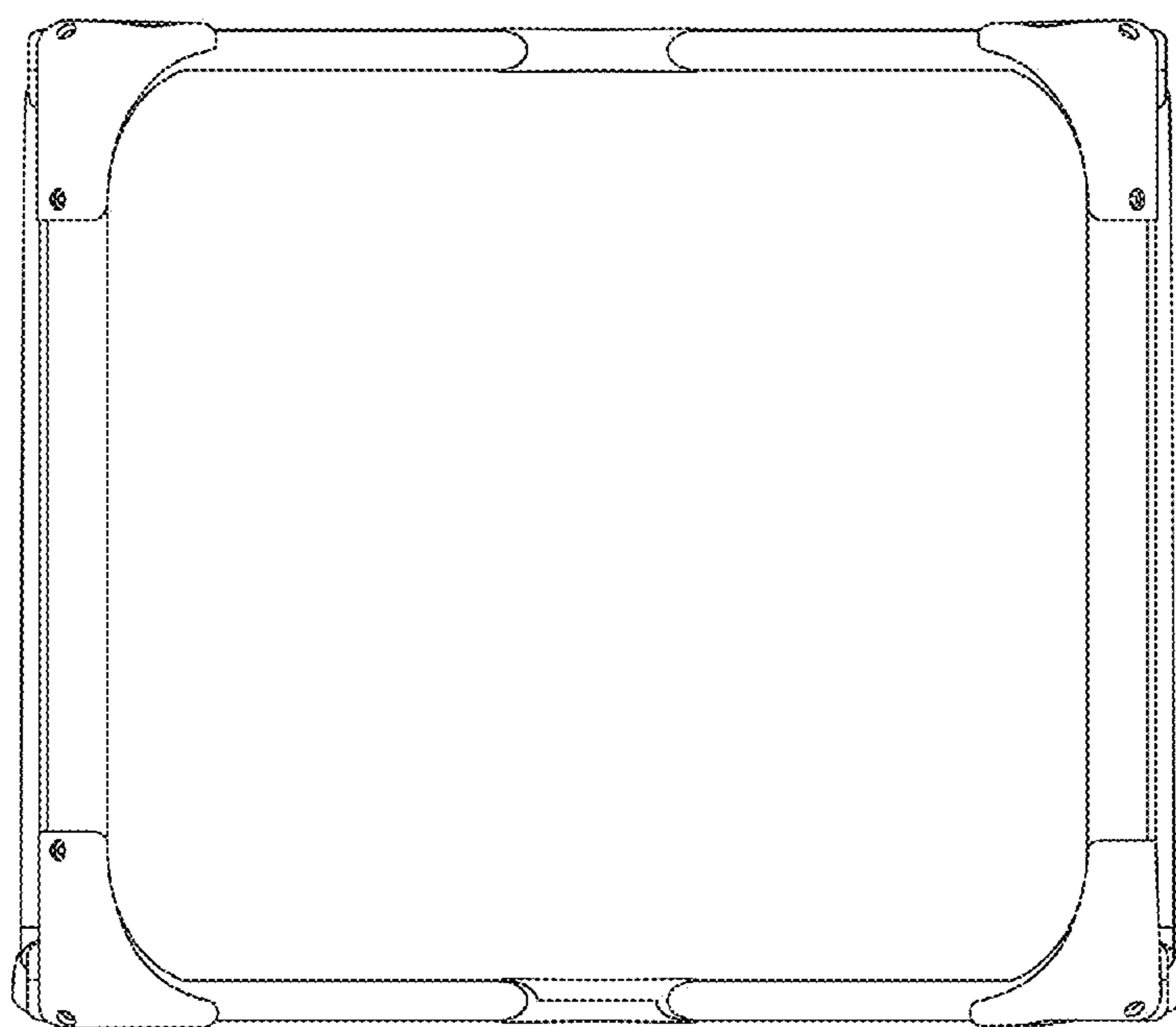


FIG. 6

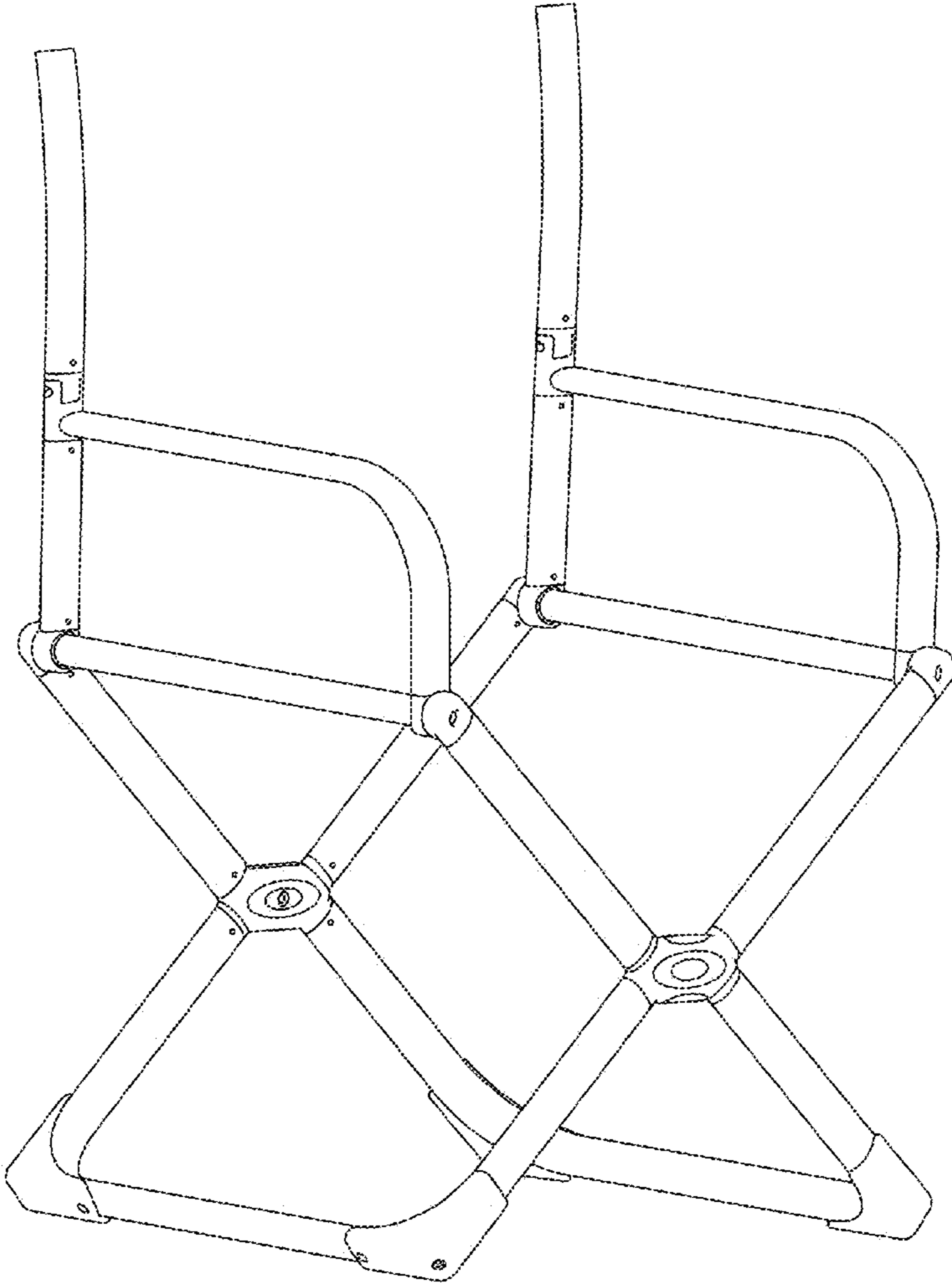


FIG. 7