



US00D706043S

(12) **United States Design Patent**  
**Zhou et al.**

(10) **Patent No.:** **US D706,043 S**  
(45) **Date of Patent:** **\*\* Jun. 3, 2014**

(54) **ADJUSTABLE SWING BED**

(71) Applicant: **Zhejiang Zhengte Group Co., Ltd.**,  
Zhejiang (CN)

(72) Inventors: **Jian Zhou**, Zhejiang (CN); **Caihua Shan**, Zhejiang (CN)

(73) Assignee: **Zhejiang Zhengte Group Co., Ltd.**,  
Zhejiang (CN)

(\*\*) Term: **14 Years**

(21) Appl. No.: **29/440,732**

(22) Filed: **Dec. 26, 2012**

(30) **Foreign Application Priority Data**

Jul. 20, 2012 (CN) ..... 2012 3 0328670

(51) **LOC (10) Cl.** ..... **06-01**

(52) **U.S. Cl.**  
USPC ..... **D6/347**

(58) **Field of Classification Search**  
USPC ..... D6/334-336, 344, 347, 374, 375, 379,  
D6/380, 716, 716.1, 716.2, 716.3, 716.4;  
297/184.1, 273, 277, 280, 281, 452.19,  
297/452.2; D21/823; 472/118, 122, 125

See application file for complete search history.

(56) **References Cited**

U.S. PATENT DOCUMENTS

D198,922 S *	8/1964	Ryan	.....	D6/347
D417,791 S *	12/1999	Liu	.....	D6/347
D450,938 S *	11/2001	Liu	.....	D6/347
D459,596 S *	7/2002	Tseng	.....	D6/344
D496,800 S *	10/2004	Pauschitz	.....	D6/347
7,862,442 B2 *	1/2011	Tseng	.....	472/118
2007/0284926 A1 *	12/2007	Tseng	.....	297/273

\* cited by examiner

*Primary Examiner* — Mimoso De

(74) *Attorney, Agent, or Firm* — Finnegan, Henderson, Farabow, Garrett & Dunner, LLP

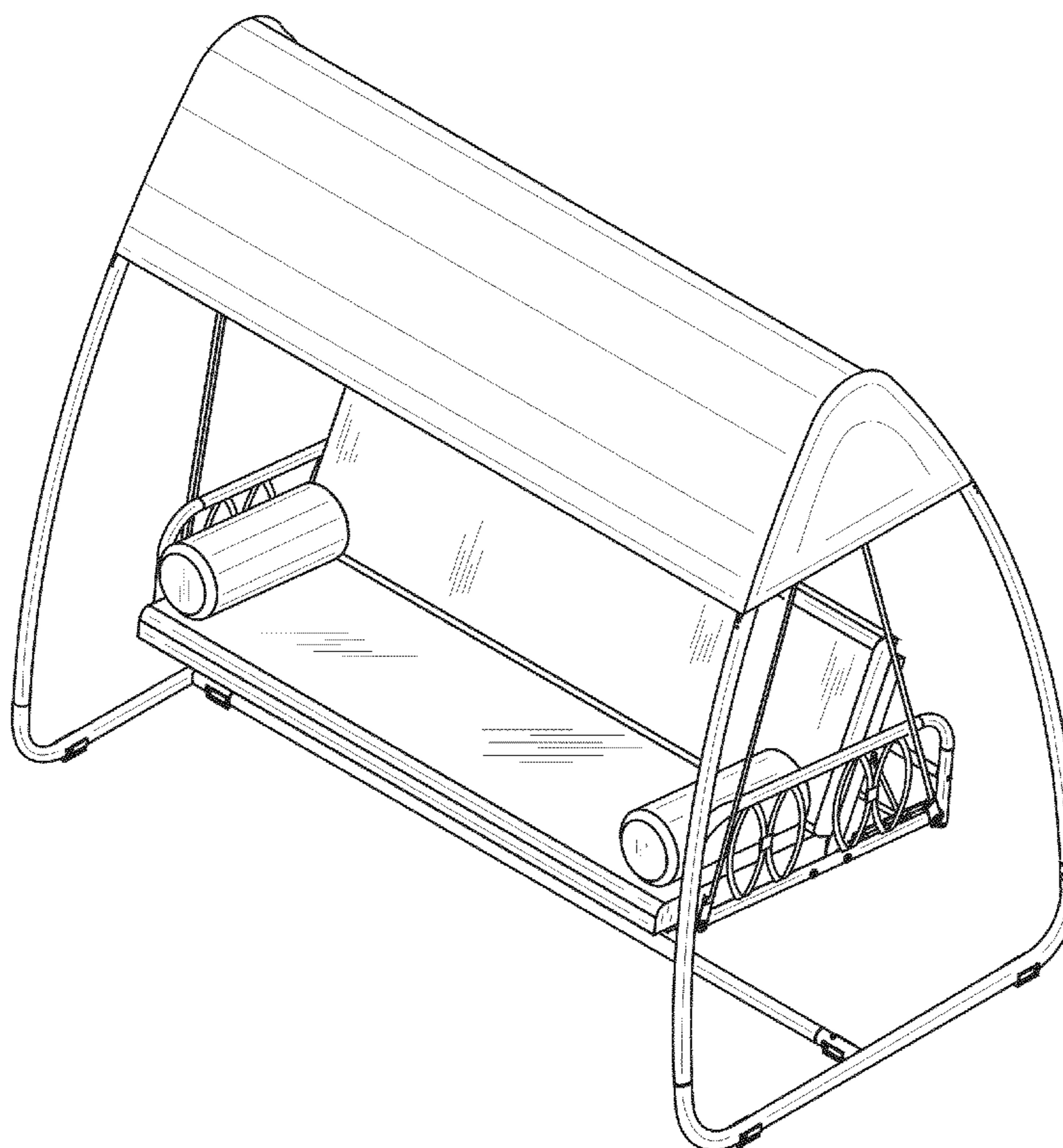
(57) **CLAIM**

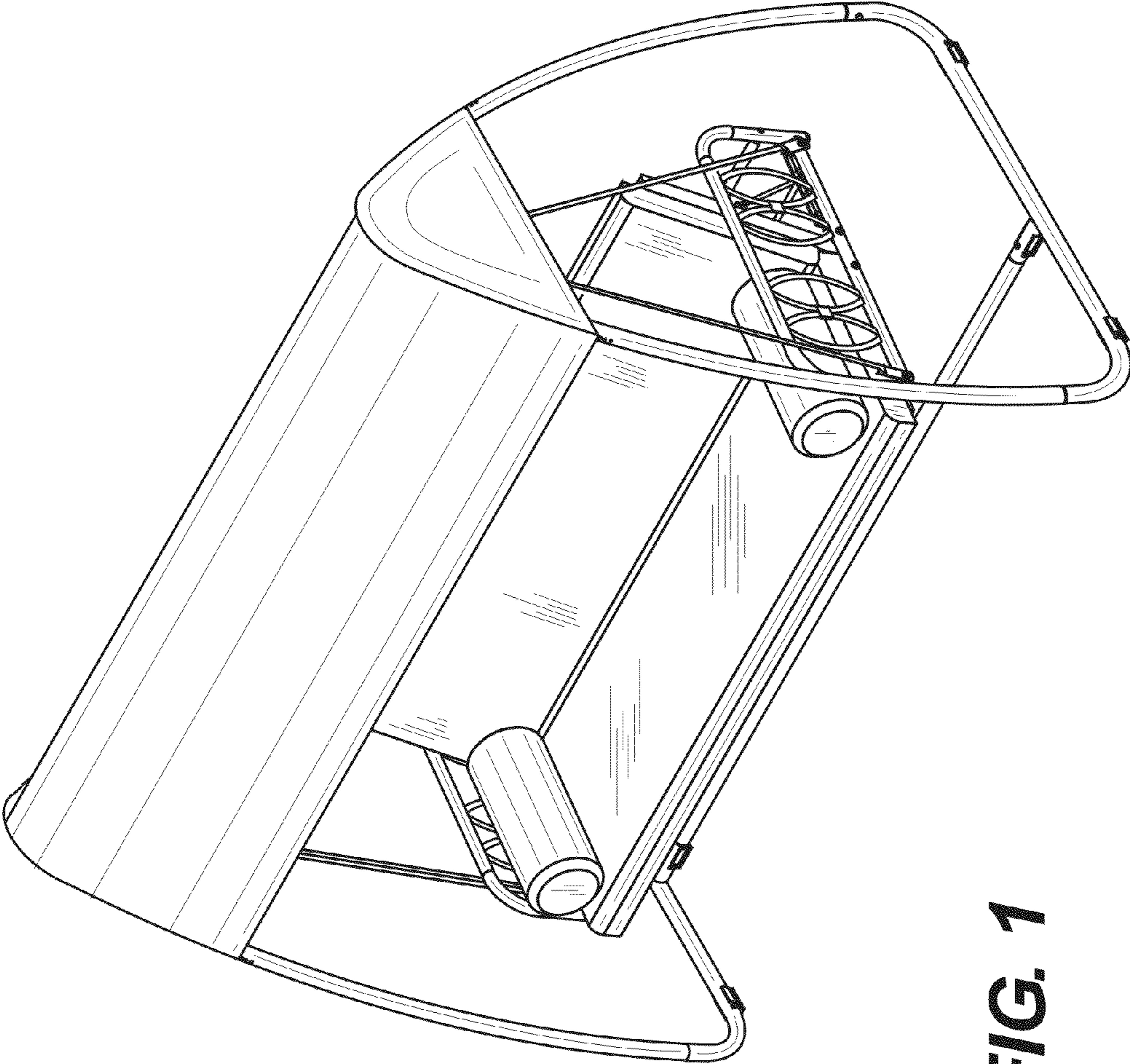
The ornamental design for an adjustable swing bed, as shown and described.

**DESCRIPTION**

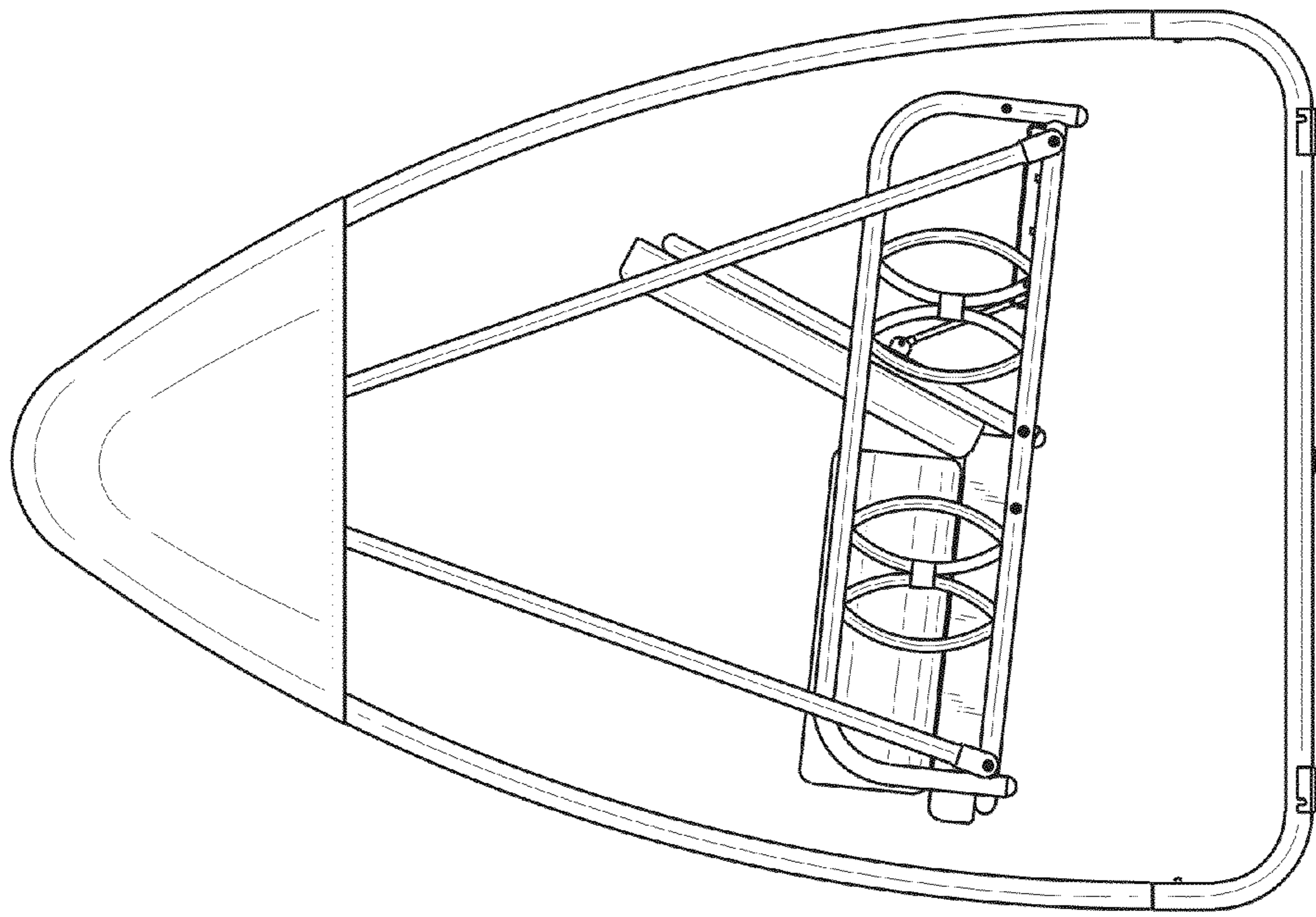
FIG. 1 is a perspective view of an adjustable swing bed showing our new design;  
FIG. 2 is a right side view thereof, the left side view being a mirror image thereof;  
FIG. 3 is a front view thereof;  
FIG. 4 is the back view thereof; and,  
FIG. 5 is a top view thereof.  
The bottom view is not visible during ordinary use and is not part of the claimed design.

**1 Claim, 5 Drawing Sheets**





**FIG. 1**



**FIG. 2**



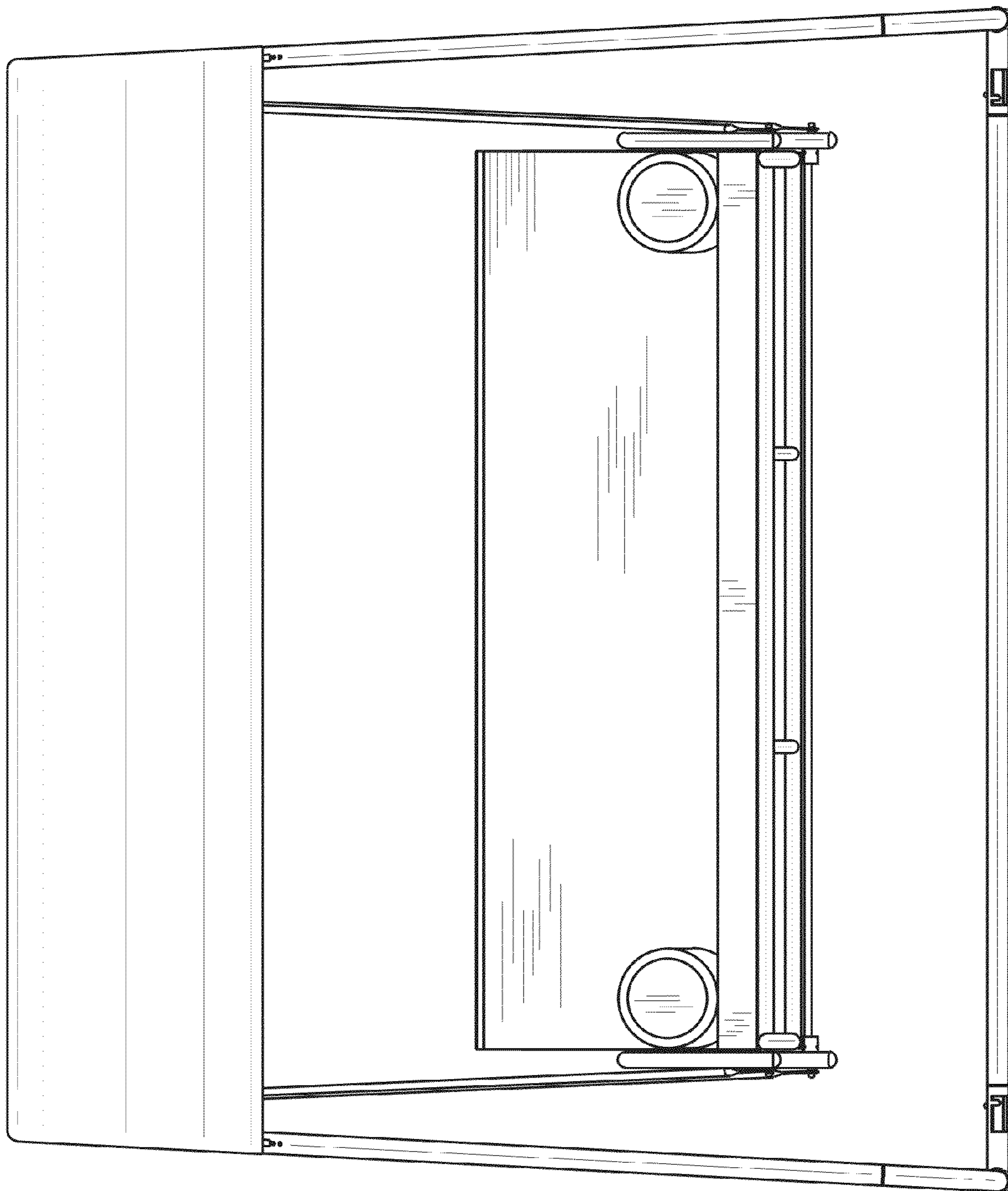


FIG. 3

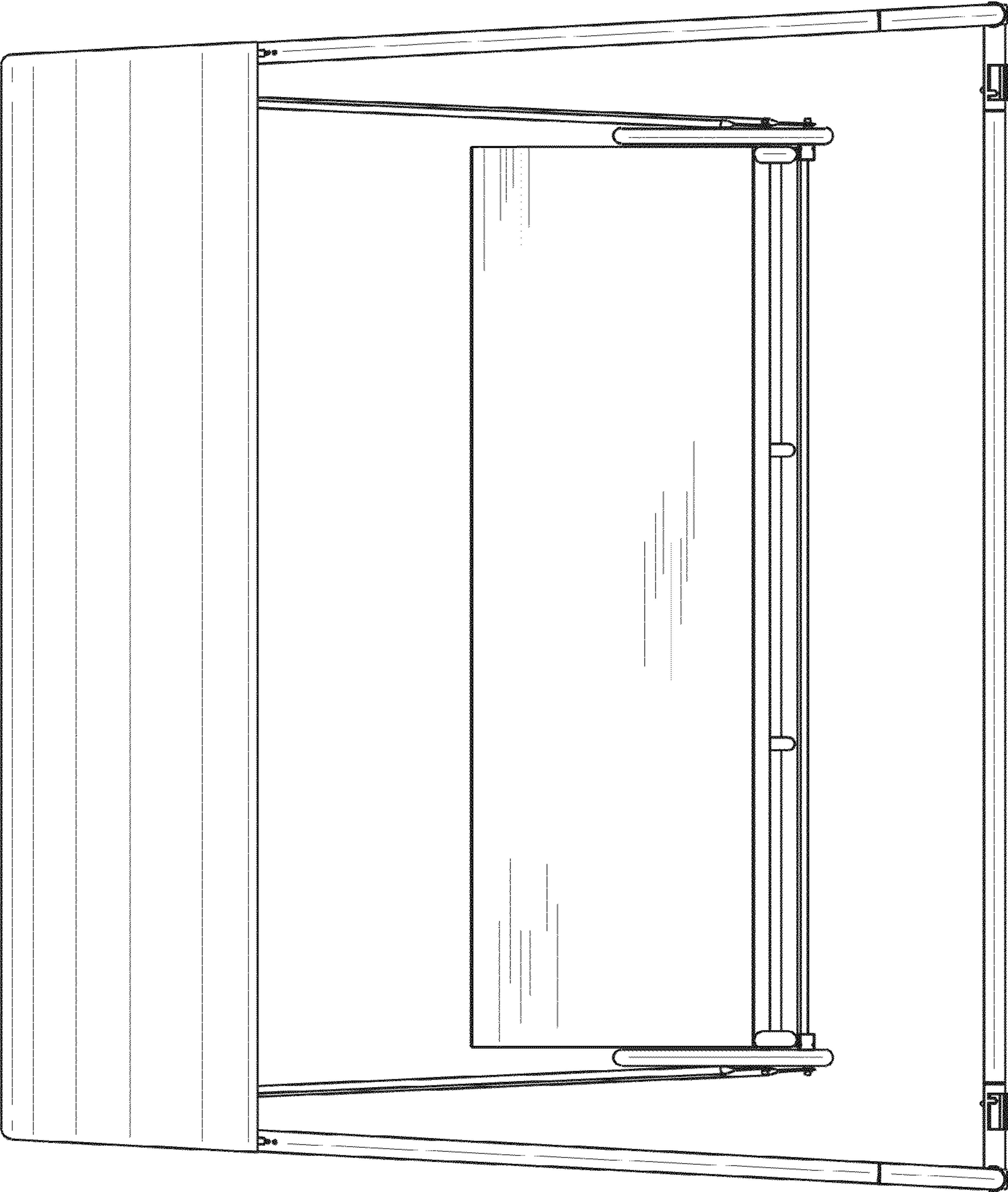
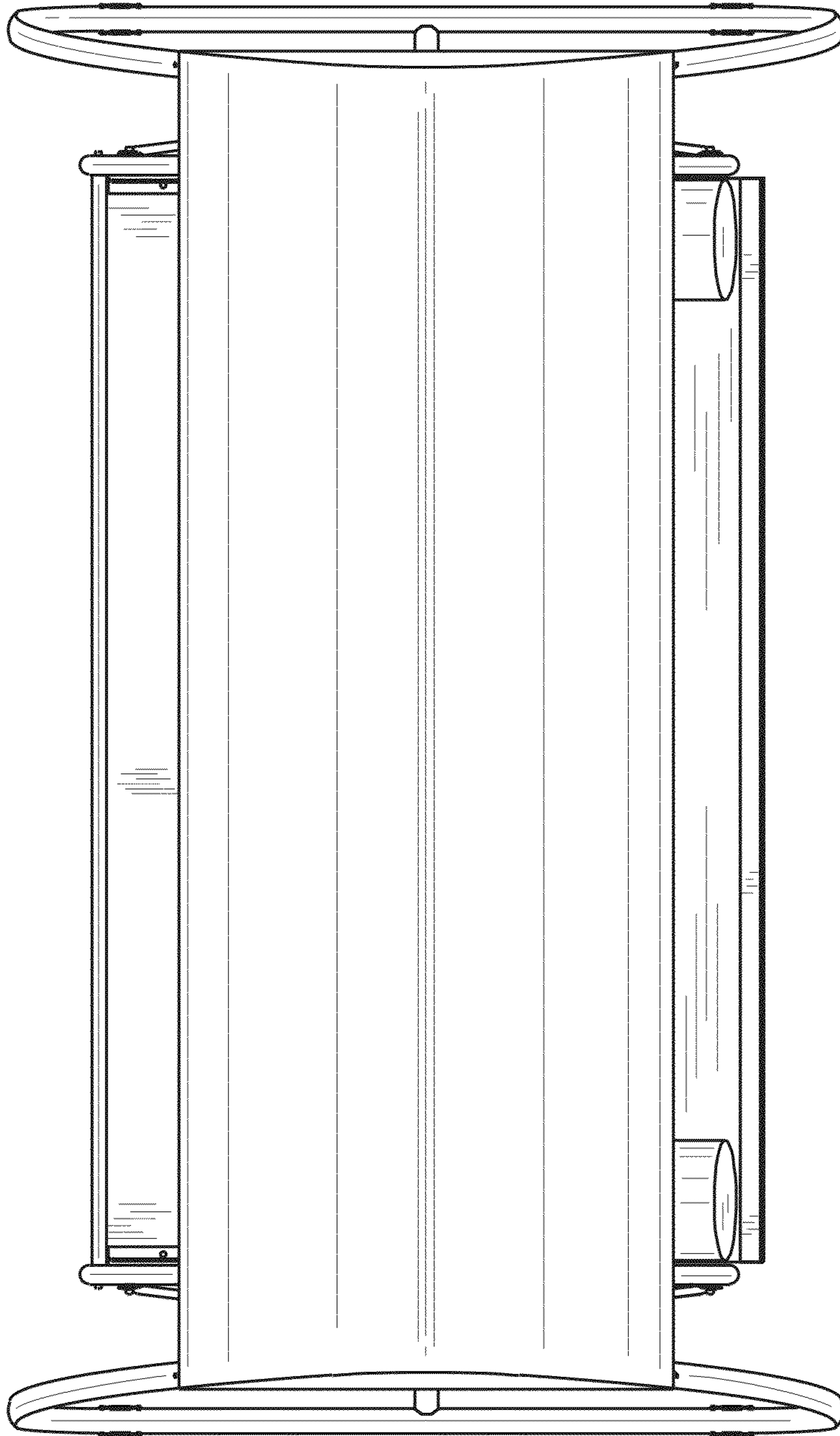


FIG. 4



**FIG. 5**